

US00D402138S

United States Patent [19]
Trulaske, Sr.

[11] **Patent Number: Des. 402,138**

[45] **Date of Patent: **Dec. 8, 1998**

[54] **MERCHANDISER WITH CURVED ENDS**

[75] Inventor: **Steven L. Trulaske, Sr.**, Ladue, Mo.

[73] Assignee: **True Manufacturing Co., Inc.**,
O'Fallon, Mo.

[**] Term: **14 Years**

[21] Appl. No.: **47,293**

[22] Filed: **Nov. 22, 1995**

Related U.S. Application Data

[63] Continuation of Ser. No. 29,792, Oct. 17, 1994, abandoned.

[51] **LOC (6) Cl.** **06-04**

[52] **U.S. Cl.** **D6/470; D15/81**

[58] **Field of Search** D6/470-472; D15/79,
D15/81, 85, 88, 89; D20/1, 3, 4, 5; 62/246-252;
312/116

[56] **References Cited**

U.S. PATENT DOCUMENTS

- D. 108,559 2/1938 Boyce .
- D. 121,761 8/1940 Clerc .
- D. 141,097 5/1945 Pinanski D52/2
- D. 148,212 12/1947 Boyce D67/3
- D. 178,570 8/1956 Hyde D67/3
- D. 244,019 4/1977 Brown D6/470 X
- D. 265,316 7/1982 Trulaske D6/470 X
- D. 271,877 12/1983 Hoff D15/81
- D. 275,019 8/1984 Morgan, Jr. et al. D20/5
- D. 285,577 9/1986 Bristow et al. D20/4
- D. 290,012 5/1987 Owen D15/81
- D. 290,619 6/1987 Brandes et al. D20/5
- D. 292,993 12/1987 Morgan, Jr. et al. D20/5
- D. 294,716 3/1988 Morgan, Jr. D20/5
- D. 294,717 3/1988 Morgan, Jr. D20/5
- D. 294,718 3/1988 Morgan, Jr. D20/5
- D. 294,719 3/1988 Morgan, Jr. D20/5
- D. 297,740 9/1988 Morgan, Jr. D20/8
- D. 297,741 9/1988 Morgan, Jr. D20/8
- D. 297,742 9/1988 Morgan, Jr. D20/8
- D. 299,725 2/1989 Brandes et al. D20/5
- D. 300,153 3/1989 Morgan, Jr. D20/8

(List continued on next page.)

FOREIGN PATENT DOCUMENTS

90 01 489 U 4/1990 Germany .

OTHER PUBLICATIONS

Beverage—Air Food Service and Beverage Equipment.
Foodservice Equipment—Specialist May 1994 p. 93—Refrigerated Cabinet, top left.

Victory Merchandiser (with Coke® graphics)—updated, available prior to Nov. 22, 1995.

Master-Bilt Elm II Merchandiser Unit—updated, available prior to Nov. 22, 1995.

Master-Bilt Merchandiser Unit (holding All-Sport® and Diet-Pepsi bottles) updated, available prior to Nov. 22, 1985.

Primary Examiner—James Gandy

Assistant Examiner—Linda Brooks

Attorney, Agent, or Firm—Cohn, Powell & Hind

[57] **CLAIM**

The ornamental design for a merchandiser with curved ends, as shown and described.

DESCRIPTION

FIG. 1 is a perspective view of a merchandiser with curved ends showing my new design;

FIG. 2 is a front elevational view of FIG. 1;

FIG. 3 is a top view of FIG. 1;

FIG. 4 is a left side elevational view of FIG. 1;

FIG. 5 is a right side elevational view of FIG. 1;

FIG. 6 is a rear elevational view of FIG. 1; and,

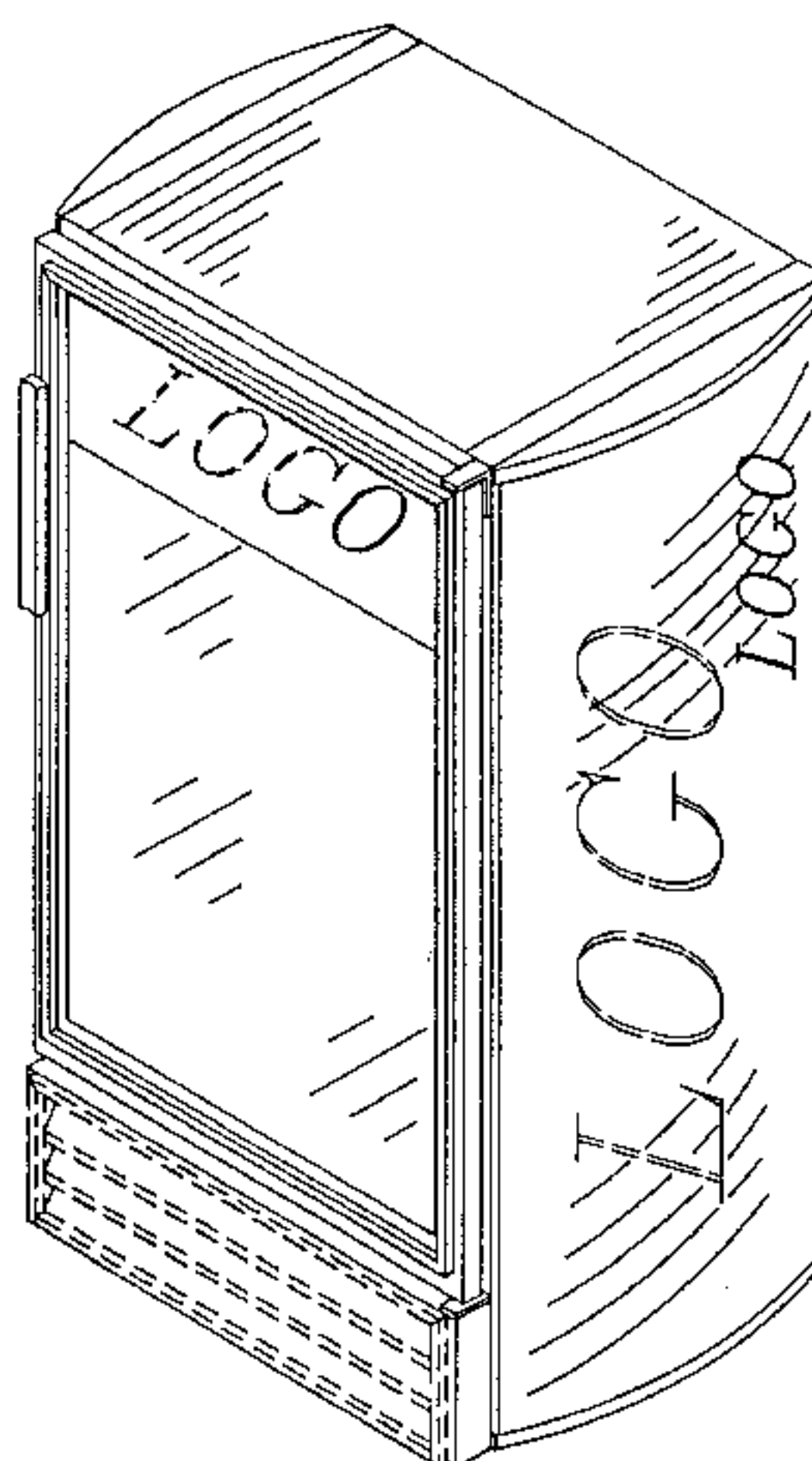
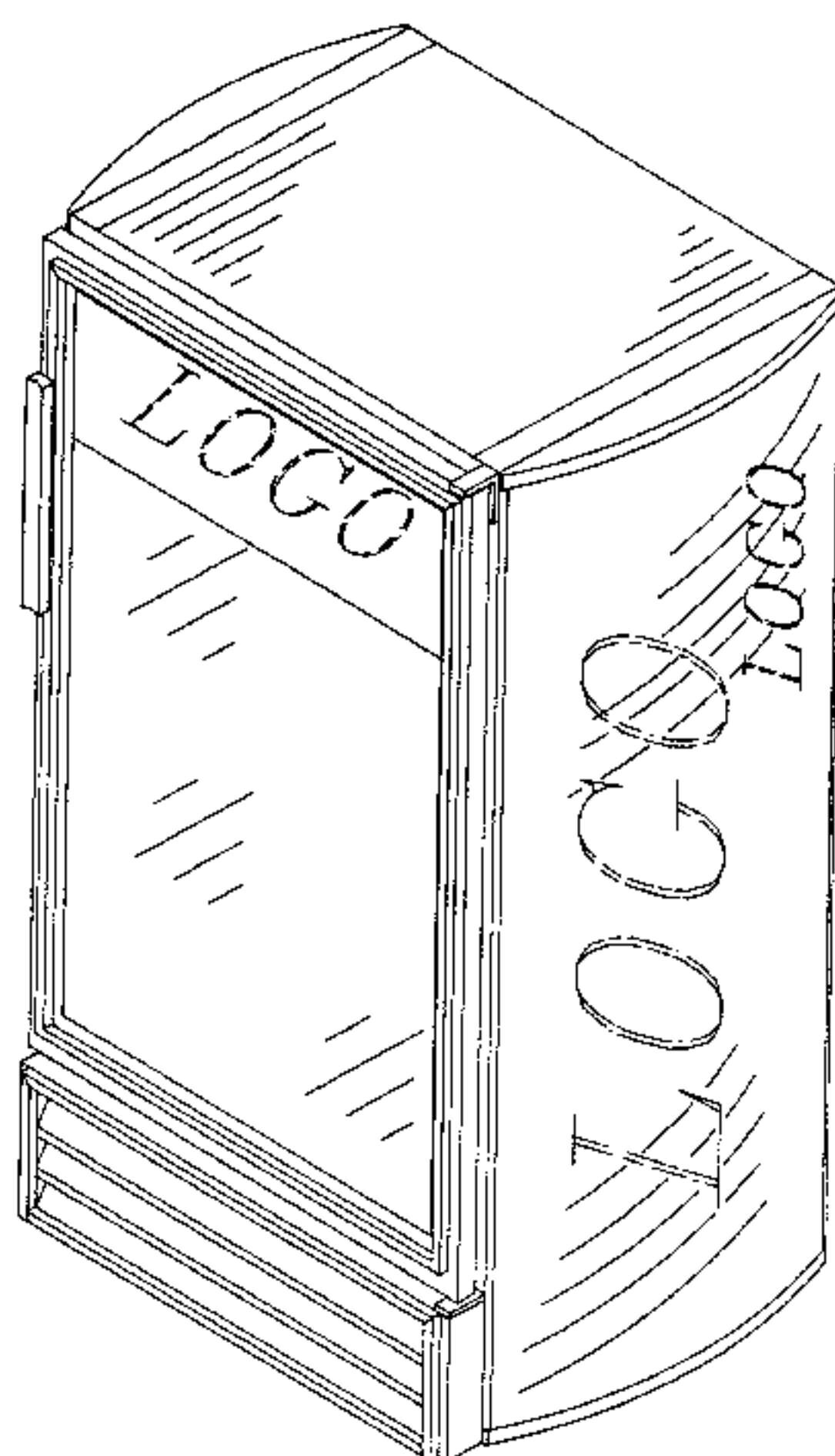
FIG. 7 is a bottom plan view of FIG. 1;

FIG. 8 is a perspective view of an alternate embodiment of that shown in FIG. 1, the sole difference being the broken line disclosure along the bottom front portion of the merchandiser with curved ends, it being understood that all other views are identical to the first embodiment; and,

FIG. 9 is a front elevational view of FIG. 8.

The broken line disclosures shown in FIGS. 1, 4, 5, 8 & 9 are for illustrative purposes only and do not form any part of the claimed design.

1 Claim, 4 Drawing Sheets



Des. 402,138

Page 2

U.S. PATENT DOCUMENTS

D. 300,595	4/1989	Boxall	D7/307	D. 357,026	4/1995	Kelemen et al.	D15/85
D. 306,092	2/1990	Rockola	D20/5	D. 363,398	10/1995	Branz et al.	D6/472
D. 314,795	2/1991	McGarrah	D20/5	D. 377,800	2/1997	Branz et al.	D15/85
D. 315,747	3/1991	Golley et al.	D20/5	2,623,160	12/1952	McPhail	240/93
D. 318,071	7/1991	Sullivan	D20/5	4,246,629	1/1981	Marrero	362/147
D. 320,233	9/1991	Golley et al.	D20/8	4,323,955	4/1982	Mark	362/278
D. 323,258	1/1992	Miyabayashi	D6/471	4,464,707	8/1984	Forrest	362/222
D. 331,847	12/1992	Allen	D6/470	4,876,633	10/1989	Engel	362/223
D. 342,744	12/1993	Renner	D15/81	4,977,754	12/1990	Upton et al.	312/116 X
D. 348,160	6/1994	Bustos	D6/470	5,255,968	10/1993	Craven	312/234
D. 350,245	9/1994	Branz et al.	D6/472	5,372,416	12/1994	Shapley et al.	312/138.1
D. 354,185	1/1995	King	D6/470	5,373,428	12/1994	Day	362/223

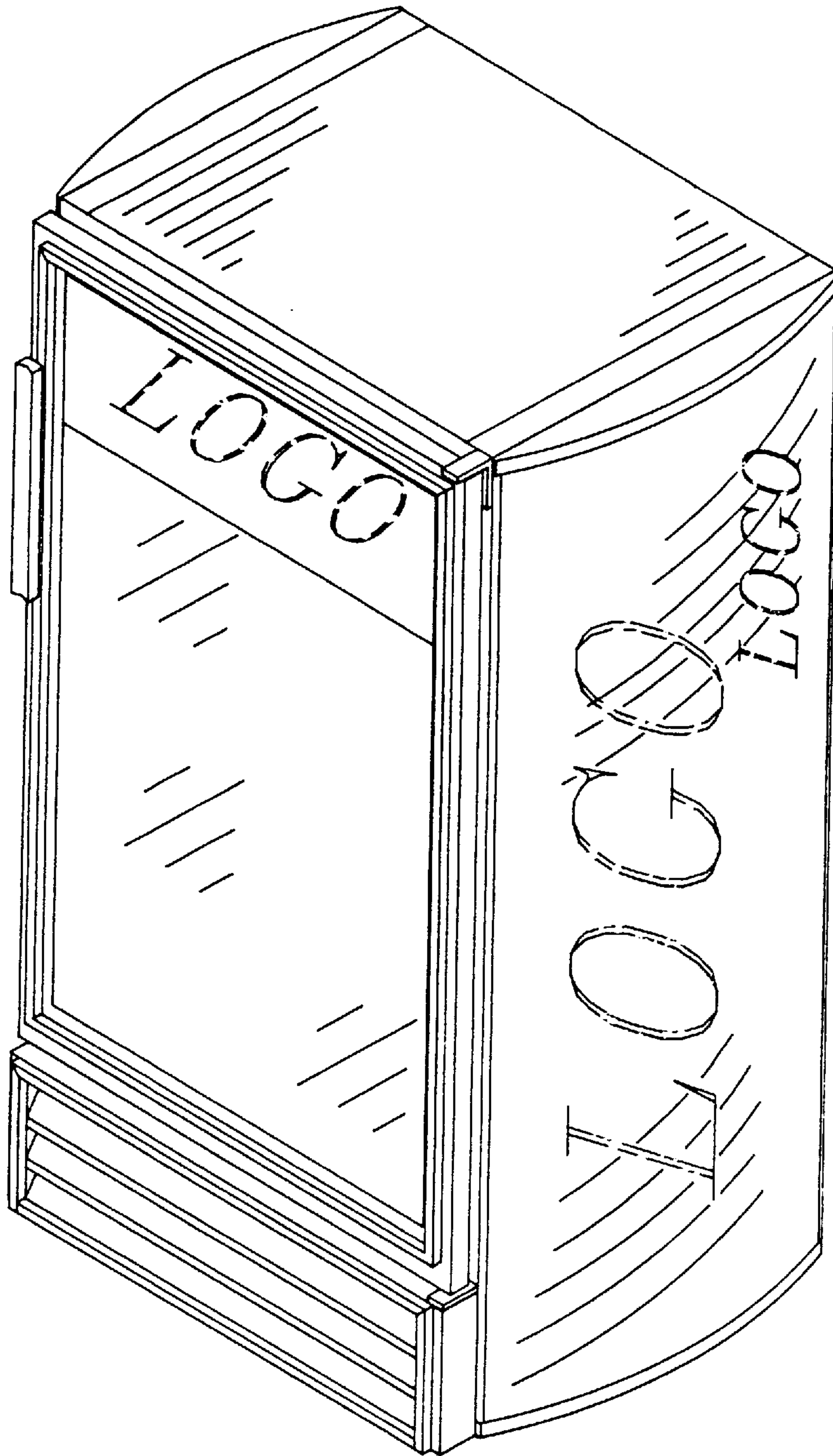


FIG. 1

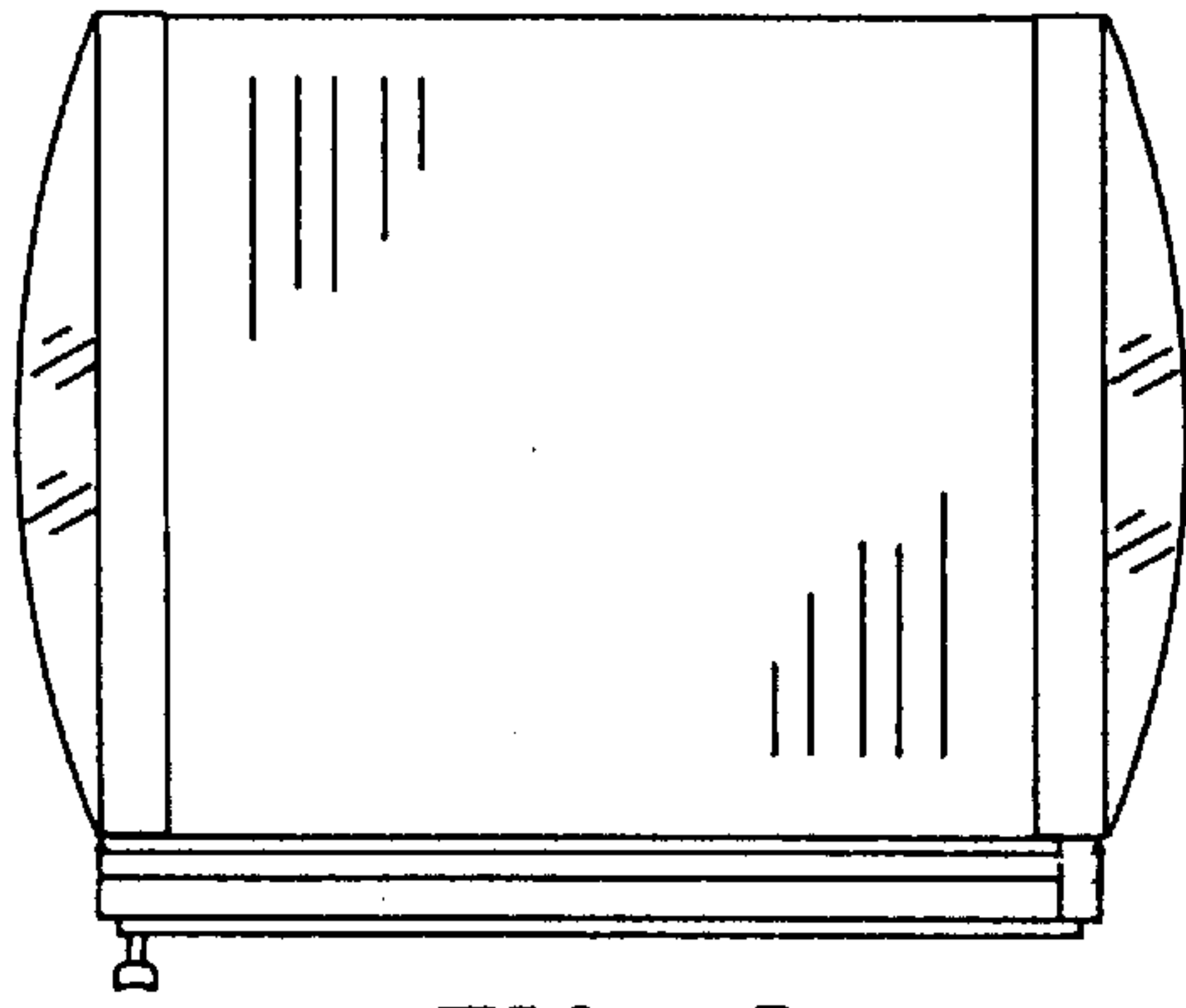


FIG. 3

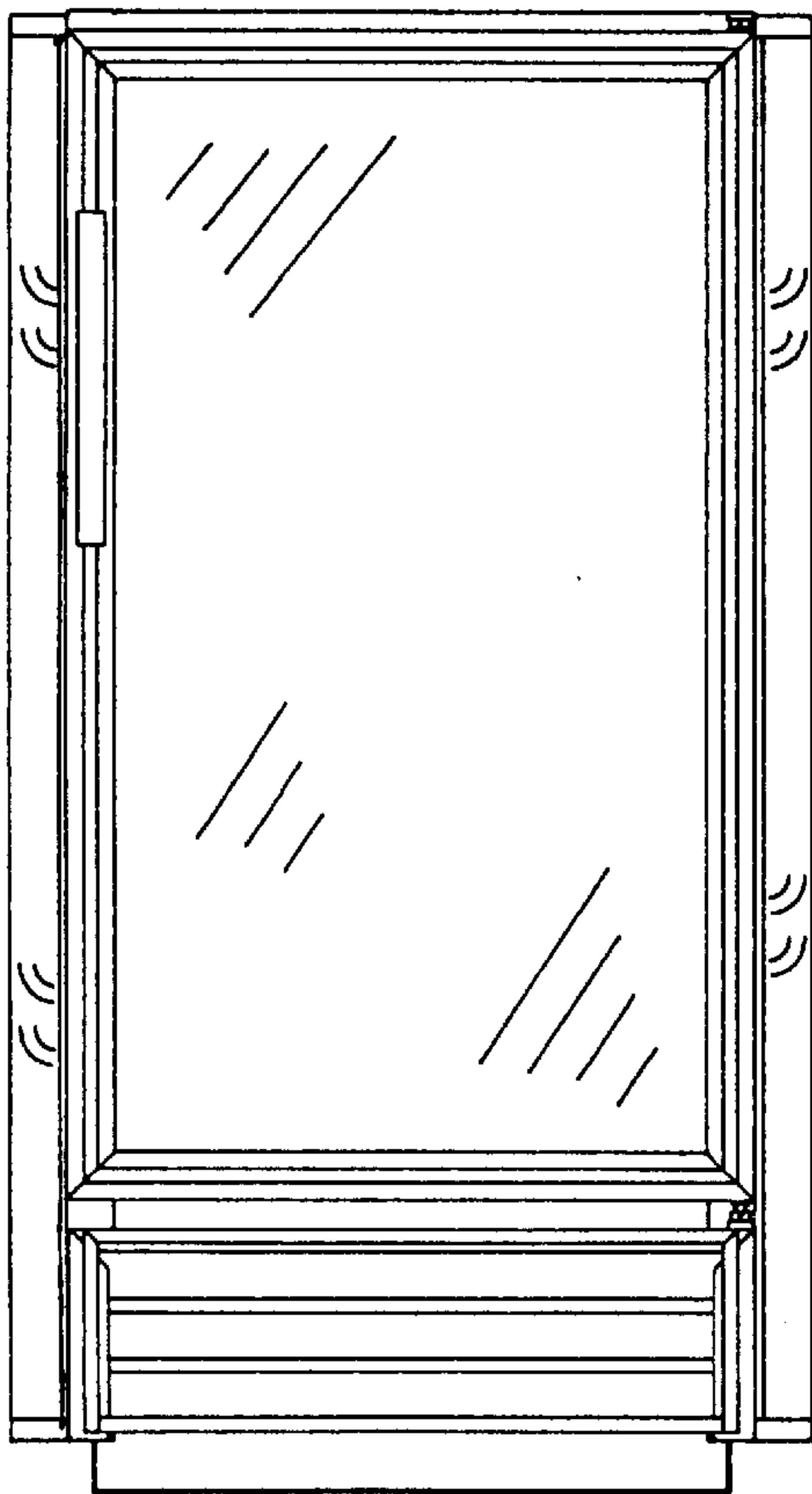


FIG. 2

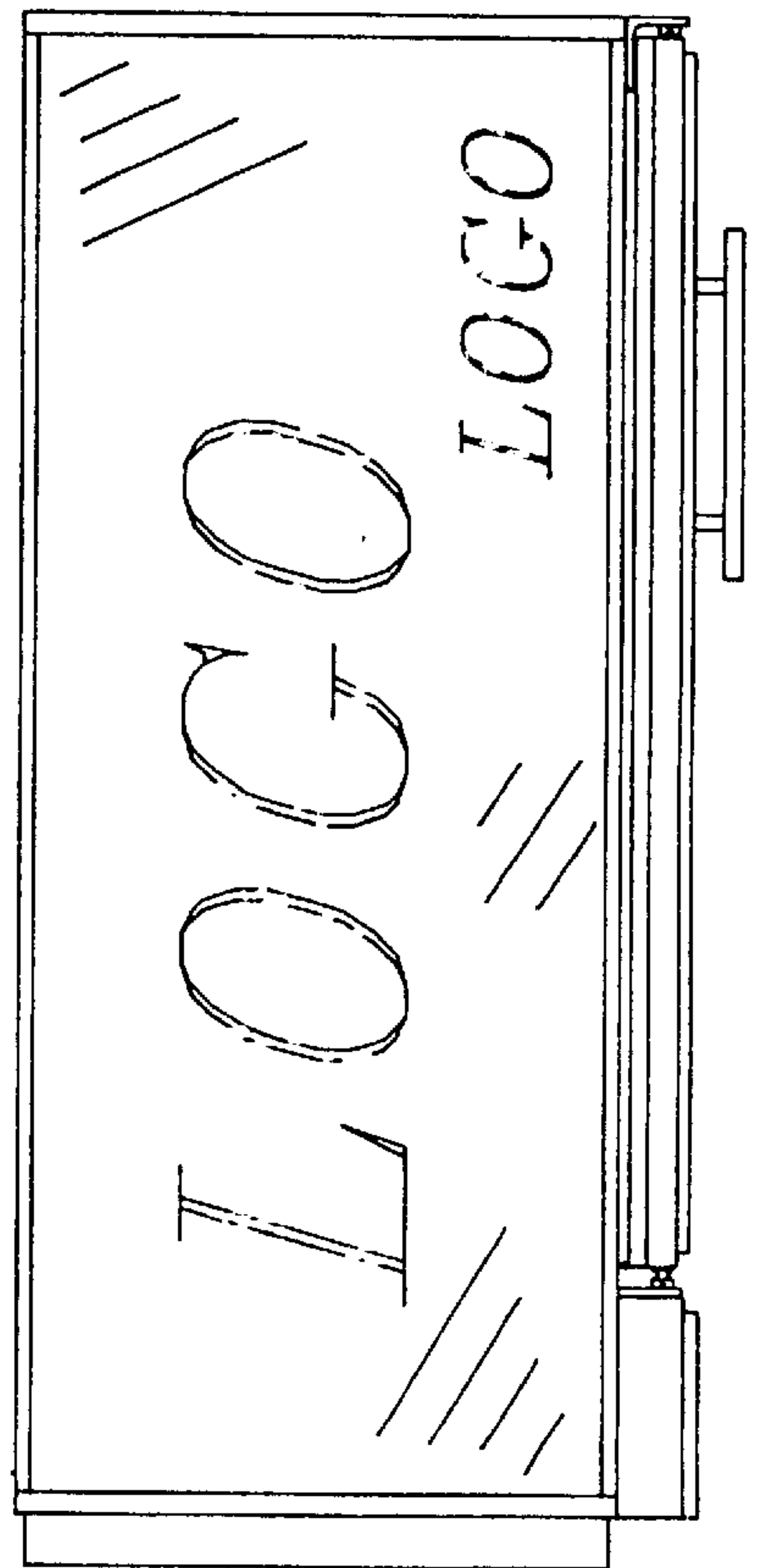


FIG. 4

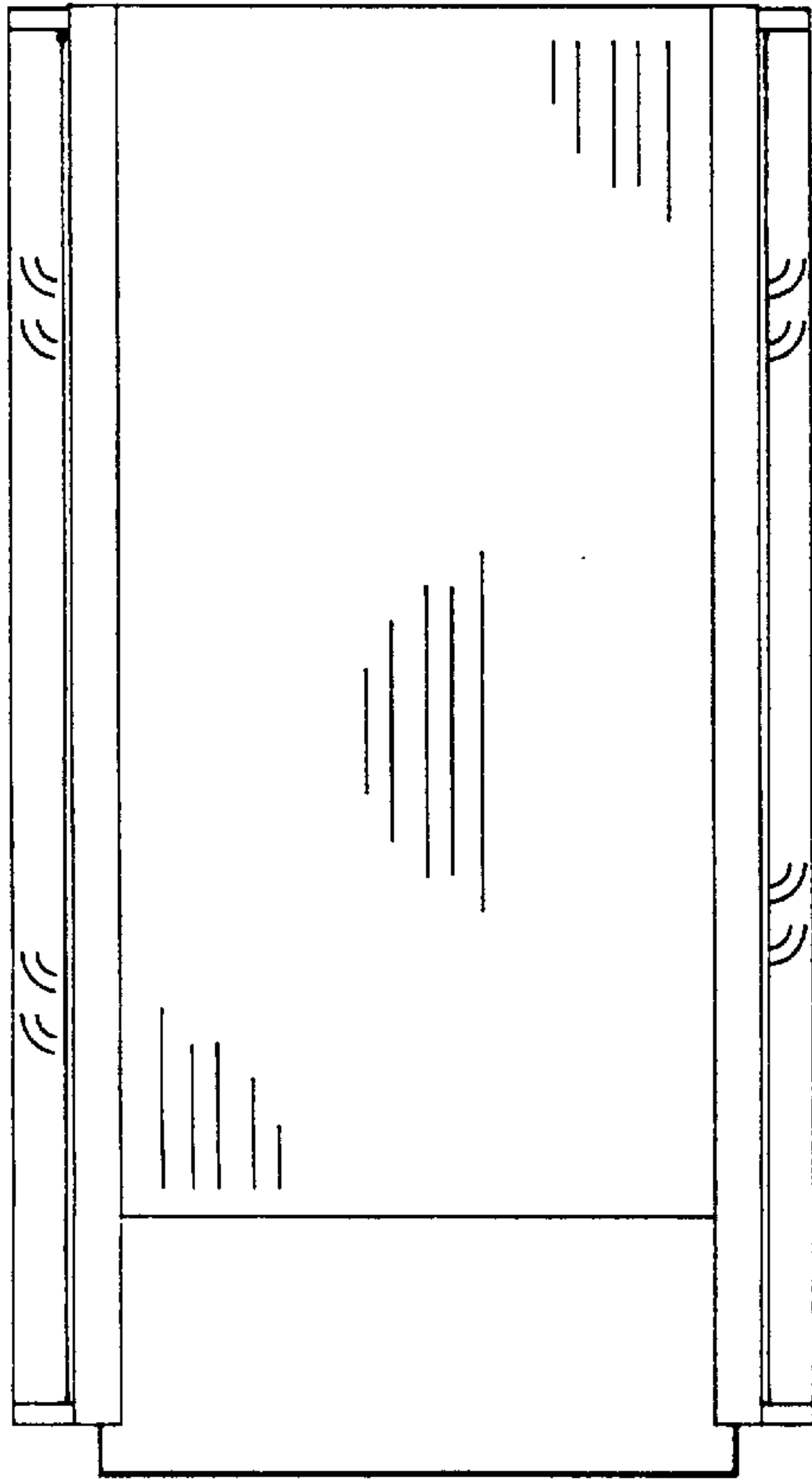


FIG. 6

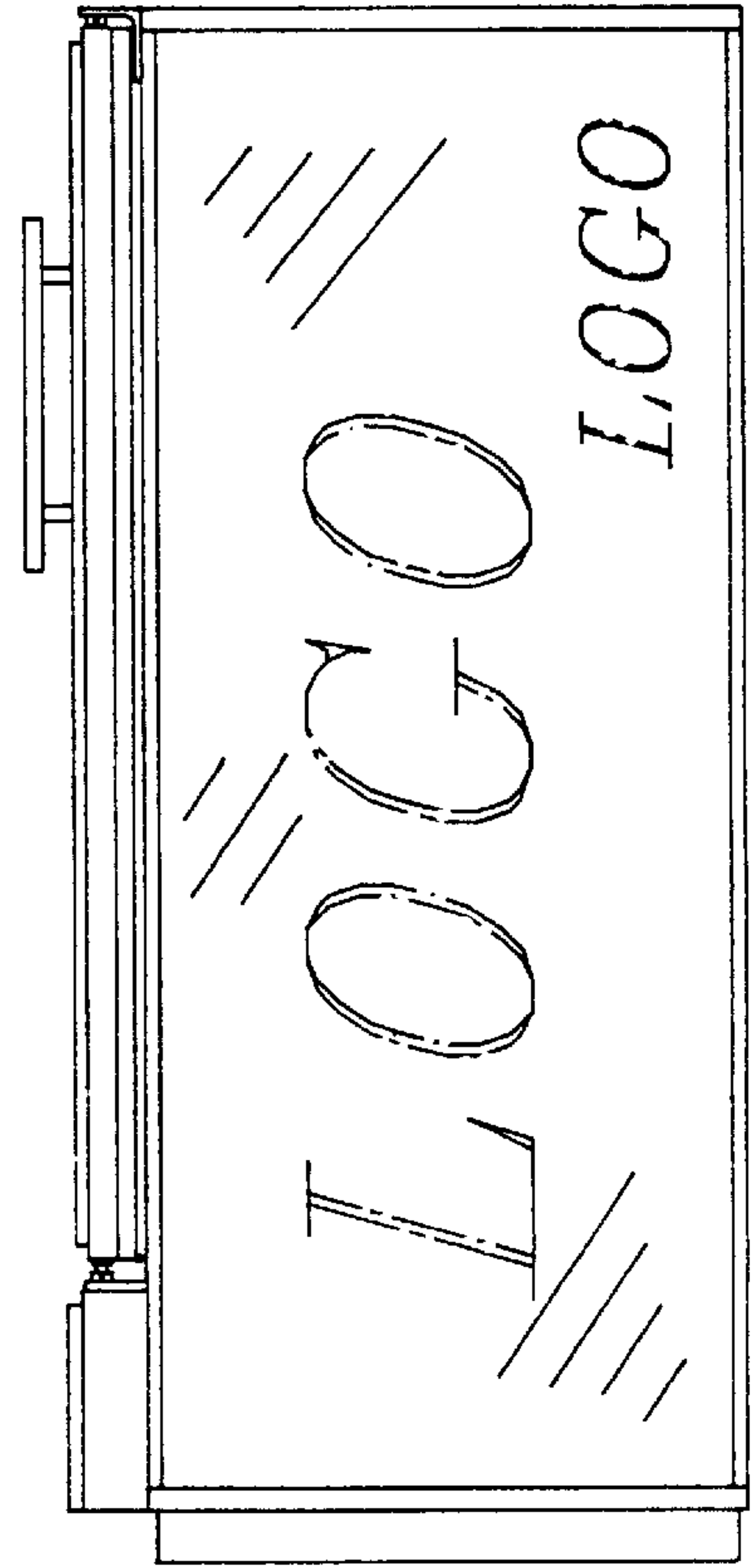


FIG. 5

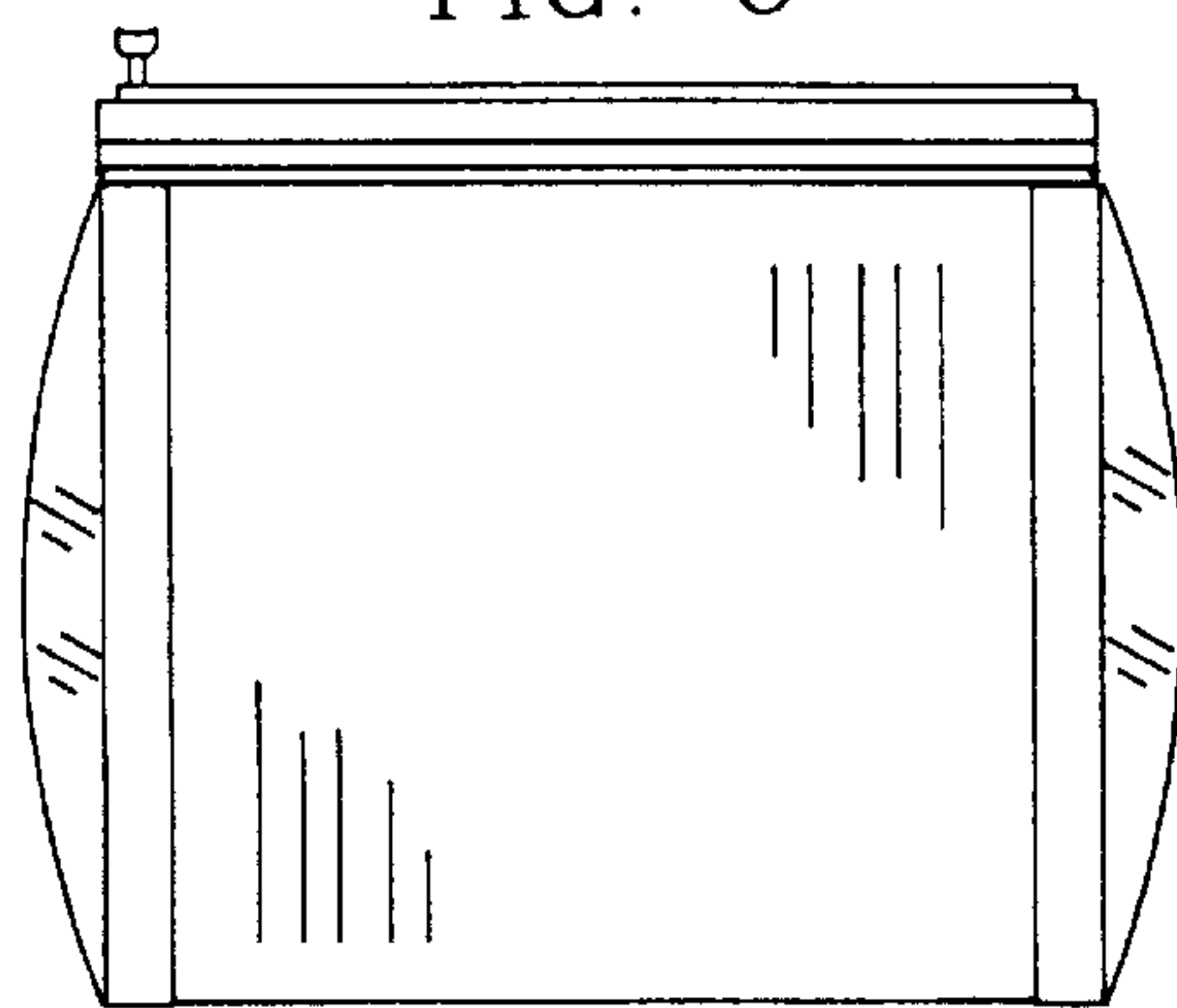


FIG. 7

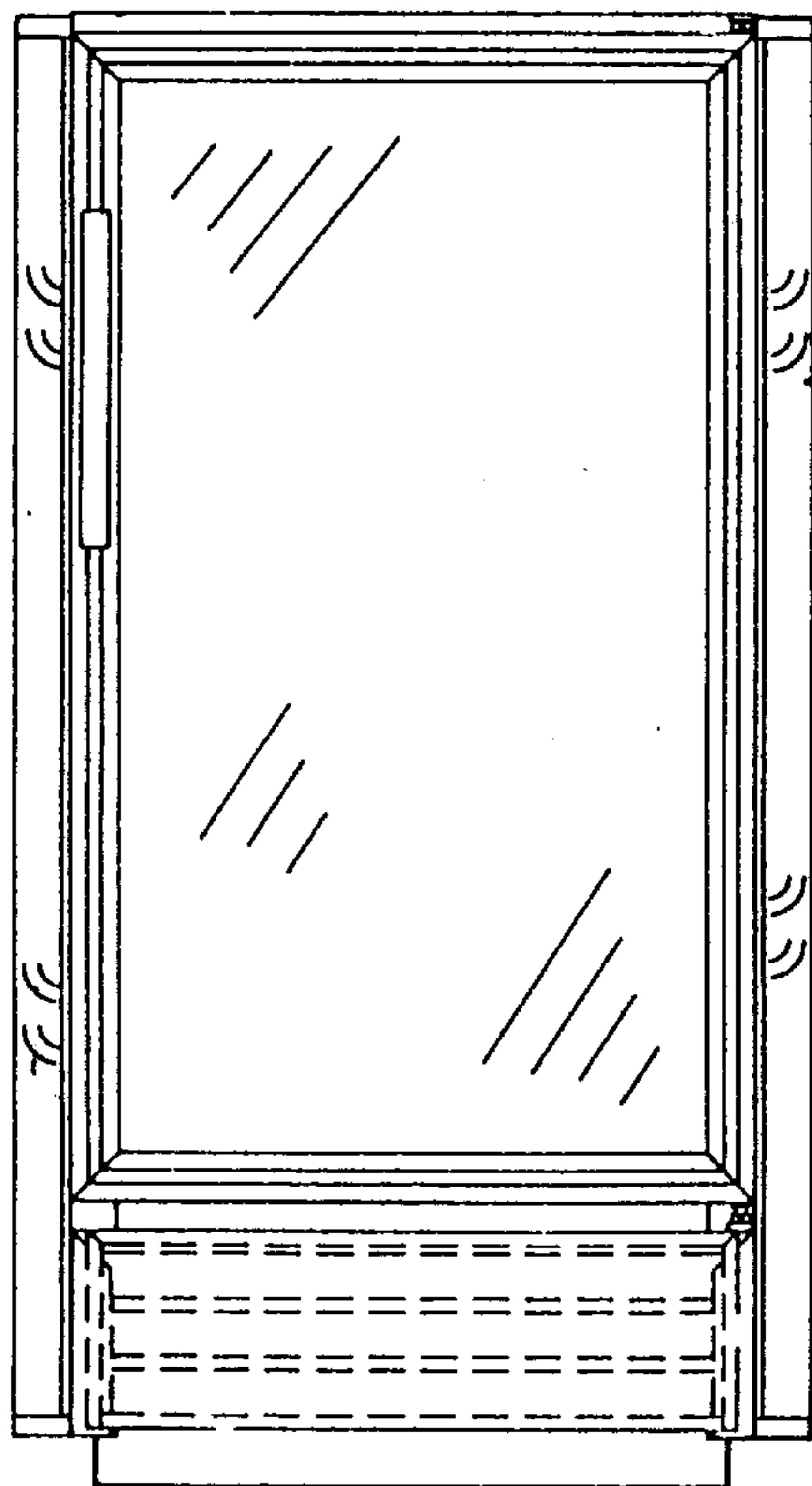


FIG. 9

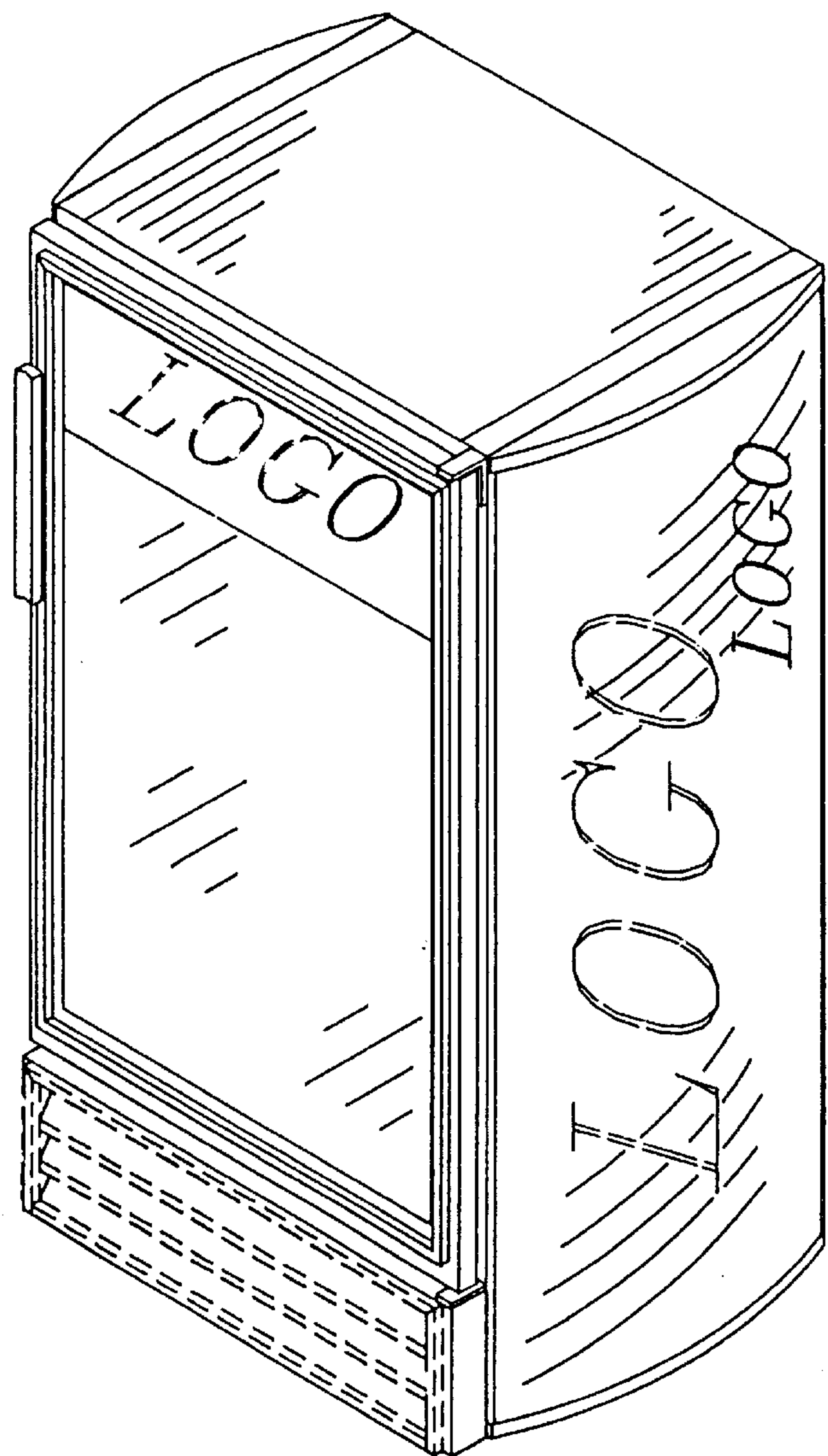


FIG. 8