



US00D402137S

United States Patent [19] Blazevich

[11] **Patent Number: Des. 402,137**

[45] **Date of Patent: **Dec. 8, 1998**

- [54] **DISPLAY AND SUPPORT STAND**
- [75] Inventor: **John Z. Blazevich**, San Pedro, Calif.
- [73] Assignee: **ZB Industries, Inc.**, San Pedro, Calif.
- [**] Term: **14 Years**
- [21] Appl. No.: **75,059**
- [22] Filed: **Aug. 12, 1997**

Primary Examiner—James Gandy
Assistant Examiner—Linda Brooks
Attorney, Agent, or Firm—Sheppard, Mullin, Richter & Hampton; John A. Griecci

[57] **CLAIM**

I claim the ornamental design for a display and support stand, as shown and described.

DESCRIPTION

FIG. 1 is a front left perspective view of a first embodiment of a display and support stand embodying my new design, the display and support stand being alternatively orientable with its rear side facing frontwardly.

FIG. 2 is a front elevational view of the display and support stand shown in FIG. 1;

FIG. 3 is a right side elevational view of the display and support stand shown in FIG. 1, which is a mirror image of the left side elevational view.

FIG. 4 is a rear elevational view of the display and support stand shown in FIG. 1;

FIG. 5 is a top plan view of the display and support stand shown in FIG. 1;

FIG. 6 is a bottom plan view of the display and support stand shown in FIG. 1;

FIG. 7 is a front left perspective view of a second embodiment of a display and support stand embodying my new design, the only differences between this and the first embodiment being the decreased width of the stand and one less front vertical support, it being understood that the display and support stand is alternatively orientable with its rear side facing frontwardly.

FIG. 8 is a front left perspective view of a third embodiment of a display and support stand embodying my new design, the display and support stand being alternatively orientable with its rear side facing frontwardly.

FIG. 9 is a front elevational view of the display and support stand shown in FIG. 8;

FIG. 10 is a right side elevational view of the display and support stand shown in FIG. 8, which is a mirror image of the left side elevational view.

FIG. 11 is a rear elevational view of the display and support stand shown in FIG. 8;

FIG. 12 is a top plan view of the display and support stand shown in FIG. 8;

Related U.S. Application Data

[63] Continuation-in-part of Ser. No. 66,836, Feb. 25, 1997, abandoned, which is a continuation-in-part of Ser. No. 57,145, Jul. 17, 1996, abandoned.

[51] **LOC (6) Cl.** **06-04**

[52] **U.S. Cl.** **D6/467**

[58] **Field of Search** D6/407, 513, 466, D6/467, 571, 573, 574, 509-511, 527-629, 429, 430, 431, 449; D9/341; D7/504; D3/206; 312/9.55, 348.3; 211/126.1, 126.15, 40, 42, 41.1, 41.3, 41.12, 41.18; 206/307, 87.15, 557, 558, 561, 564, 565; D21/54; 248/1, 8, 298.1, 298, 286, 286.1

References Cited

U.S. PATENT DOCUMENTS

D. 146,470	3/1947	Fresco .	
D. 155,010	8/1949	Kaplan et al.	D19/90
D. 279,583	7/1985	Hall	D19/77
D. 288,039	2/1987	LeBlanc	D6/468
D. 309,524	7/1990	Egly et al.	D6/629 X
D. 320,738	10/1991	Kanda et al.	D9/341
D. 332,187	1/1993	Stravitz	D6/407
D. 332,708	1/1993	Schmidt et al.	D6/407
D. 358,525	5/1995	Sedon et al.	D6/629
D. 358,526	5/1995	Sedon et al.	D6/629
D. 371,047	6/1996	Houyou	D7/504
D. 375,857	11/1996	De Blois	D6/511

OTHER PUBLICATIONS

Three photographs of a tray previously used by the Gallette Brothers company. The original date of use or offer-for-sale is unknown. The trays are believed to have been in use before our filing date.

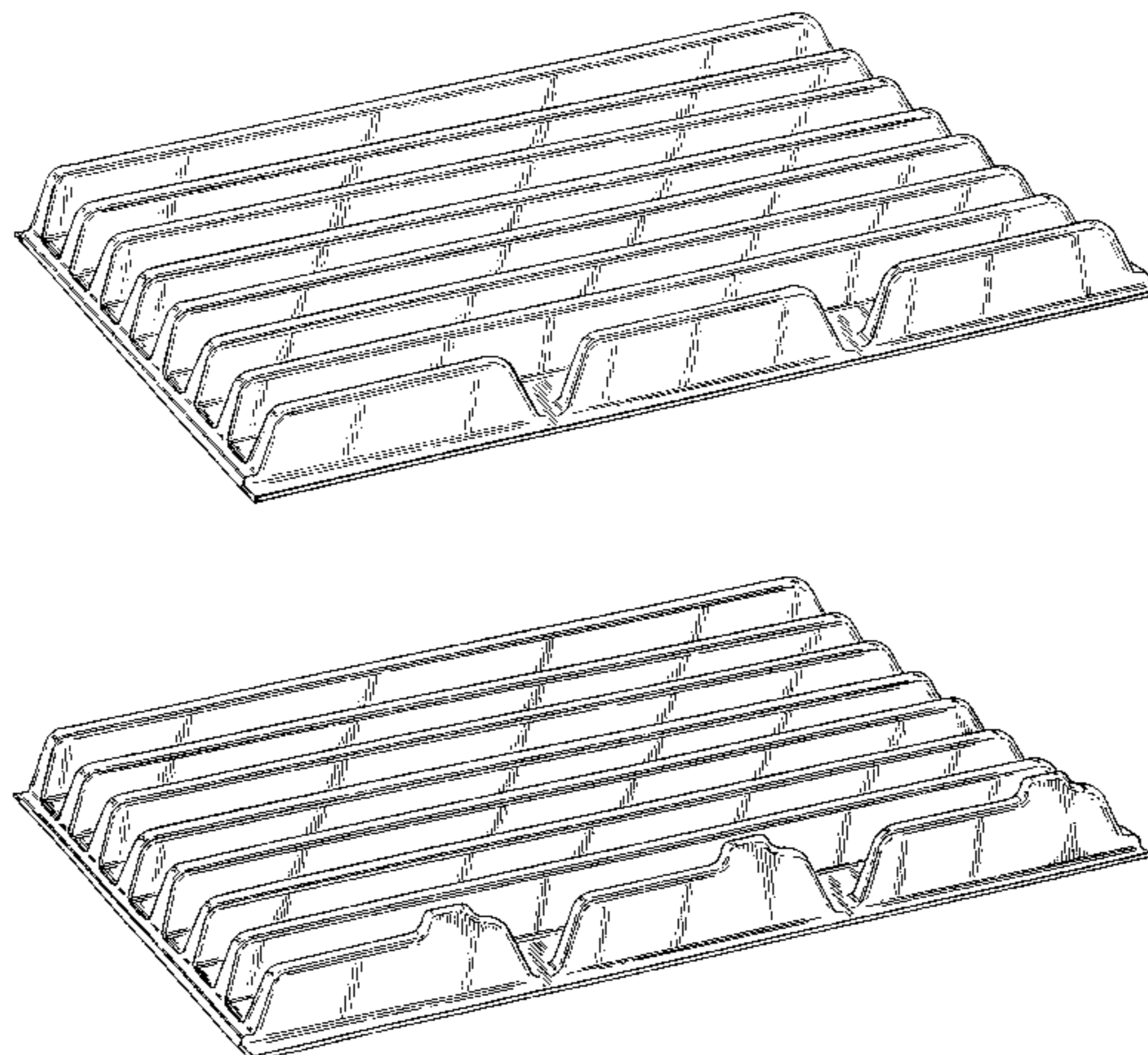


FIG. 13 is a bottom plan view of the display and support stand shown in FIG. 8;

FIG. 14 is a front left perspective view of a fourth embodiment of a display and support stand embodying my new design, the only differences between this and the third embodiment being the decreased width of the stand and one less front vertical support;

FIG. 15 is a front left perspective view of a fifth embodiment of a display and support stand embodying my new design, the display and support stand being alternatively orientable with its rear side facing frontwardly;

FIG. 16 is a front elevational view of the display and support stand shown in FIG. 15;

FIG. 17 is a right side elevational view of the display and support stand shown in FIG. 15, which is a mirror image of the left side elevational view;

FIG. 18 is a rear elevational view of the display and support stand shown in FIG. 15;

FIG. 19 is a top plan view of the display and support stand shown in FIG. 15;

FIG. 20 is a bottom plan view of the display and support stand shown in FIG. 15;

FIG. 21 is a front left perspective view of a sixth embodiment of a display and support stand embodying my new design, the only differences between this and the fifth embodiment being the decreased width of the stand and one less front vertical support;

FIG. 22 is a front left perspective view of a seventh embodiment of a display and support stand embodying my new design, the only difference between this and the fifth embodiment being the elimination of the tabs from the front vertical supports; and,

FIG. 23 is a front left perspective view of an eighth embodiment of a display and support stand embodying my new design, the only differences between this and the seventh embodiment being the decreased width of the stand and one less front vertical support.

1 Claim, 17 Drawing Sheets

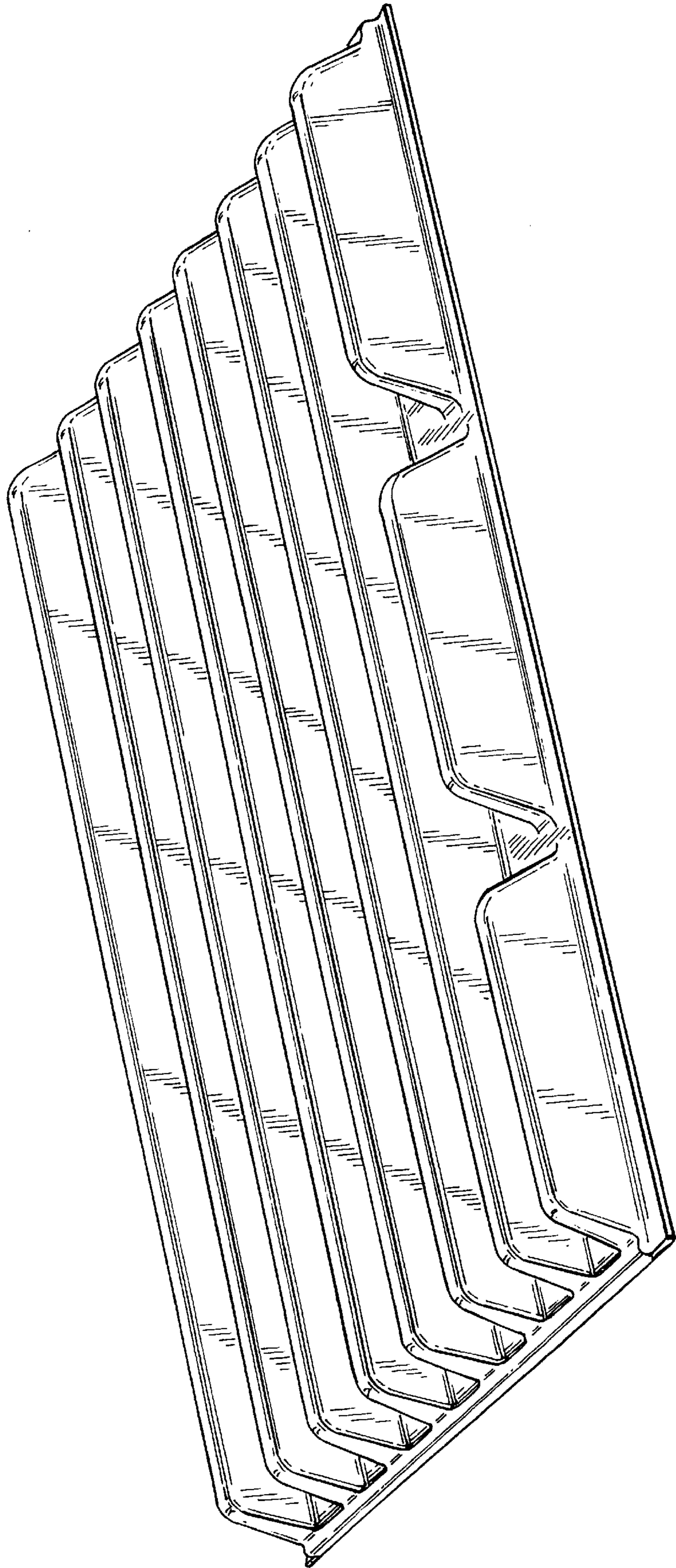


FIG. 1

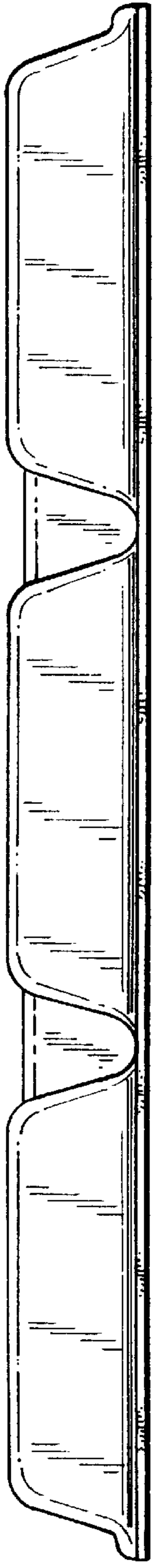


FIG. 2

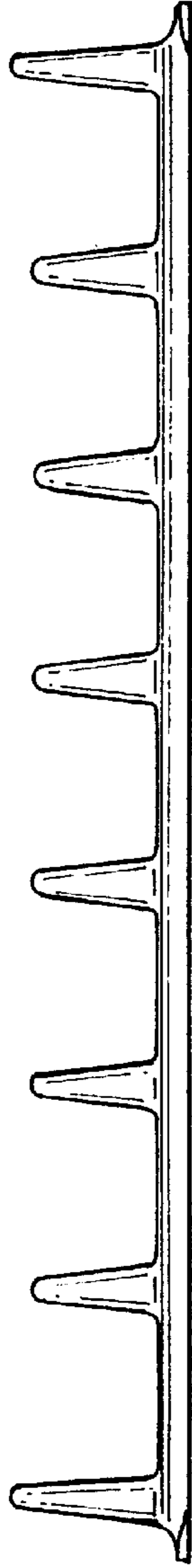


FIG. 3

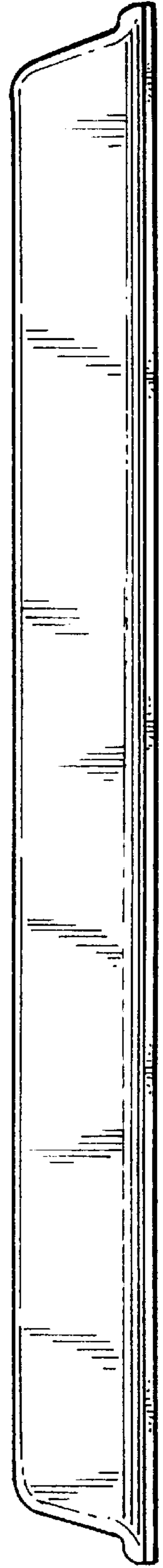


FIG. 4

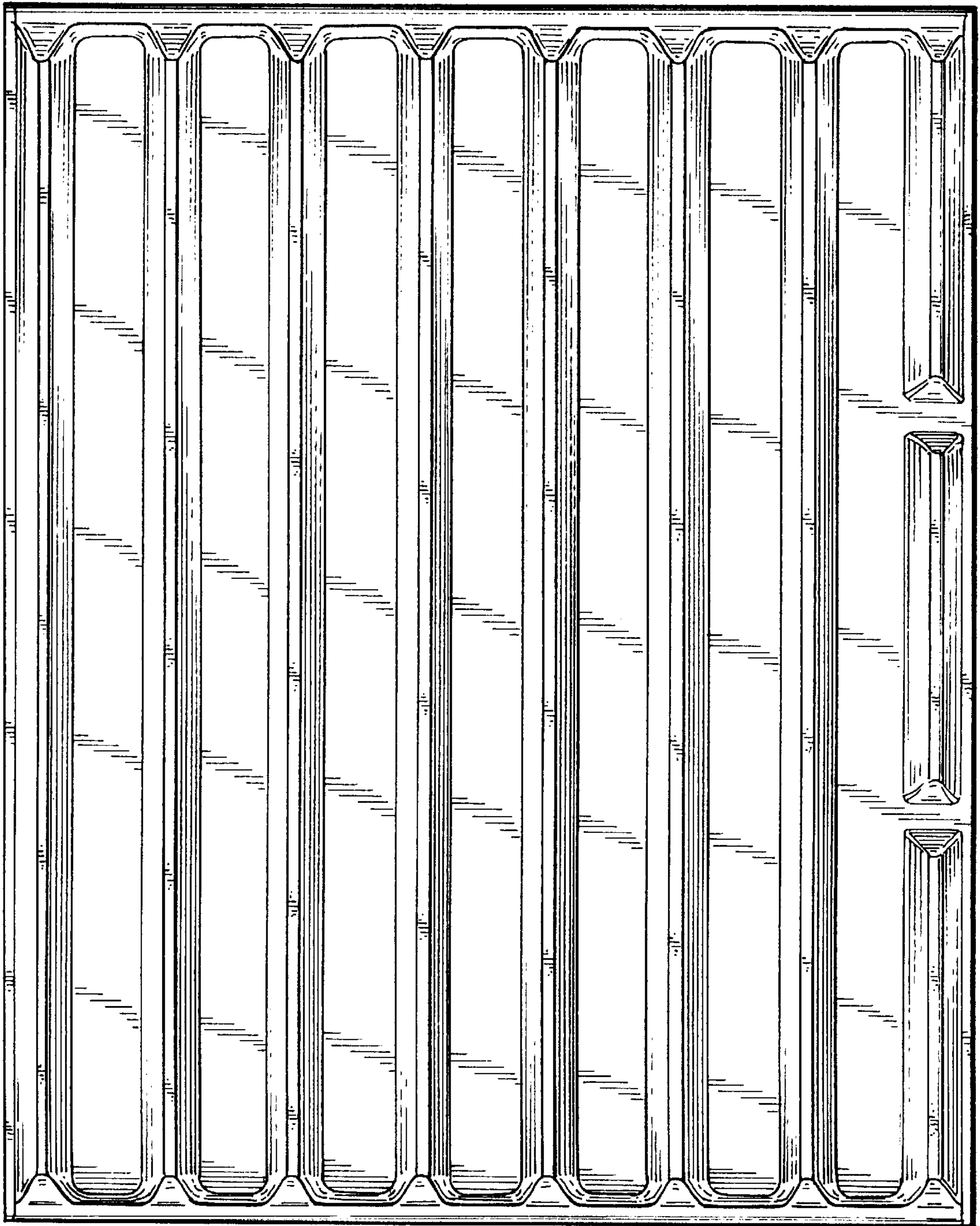


FIG. 5

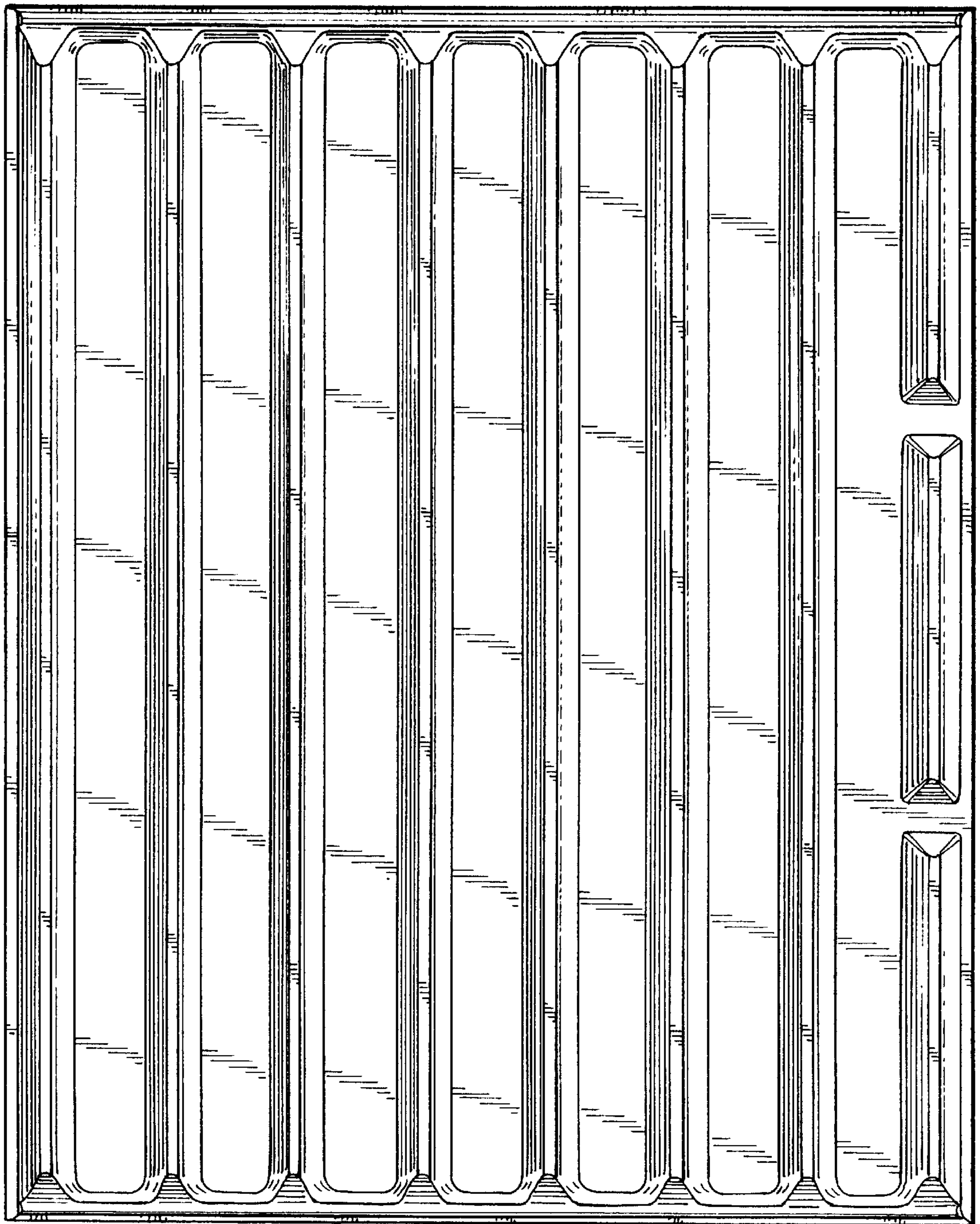


FIG. 6

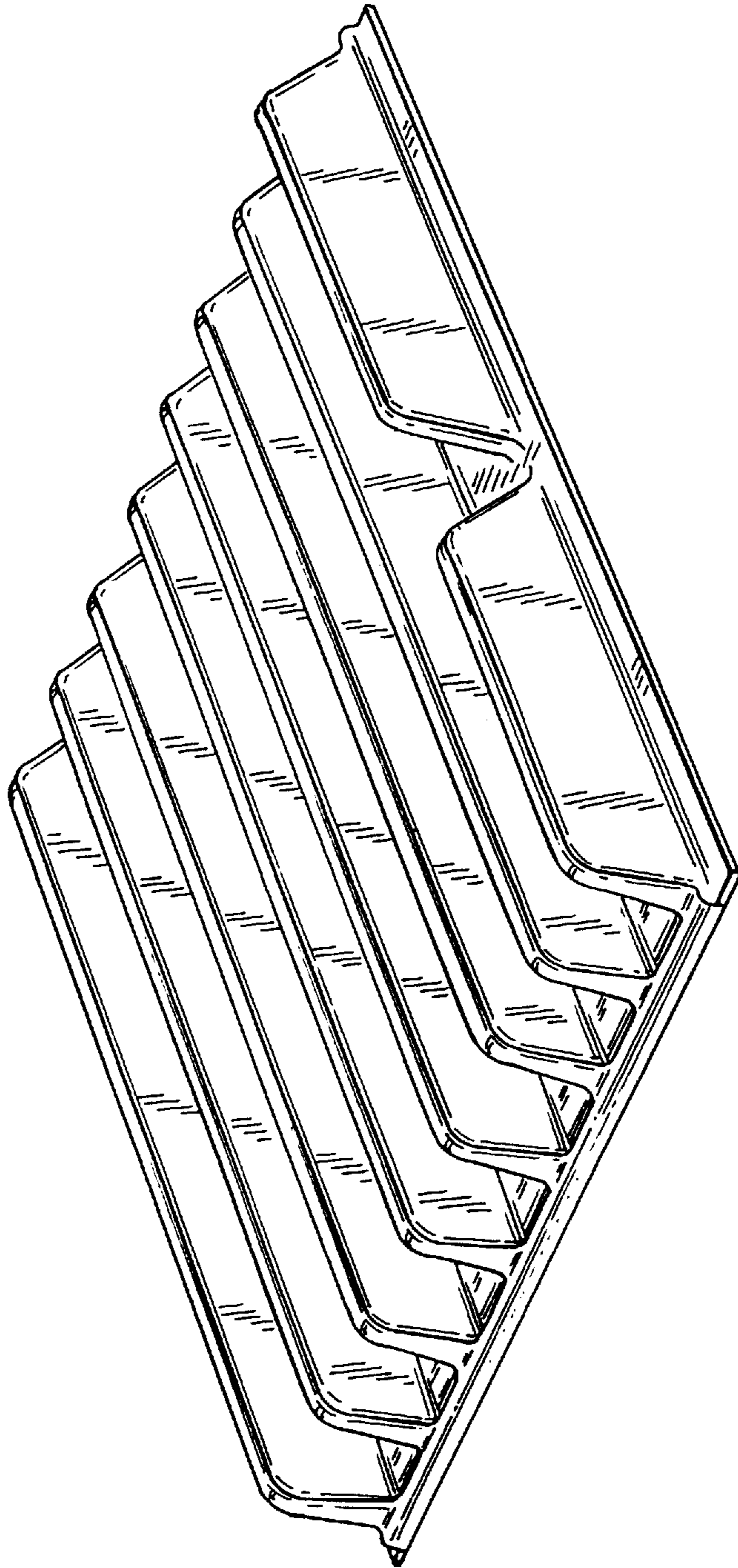


FIG. 7

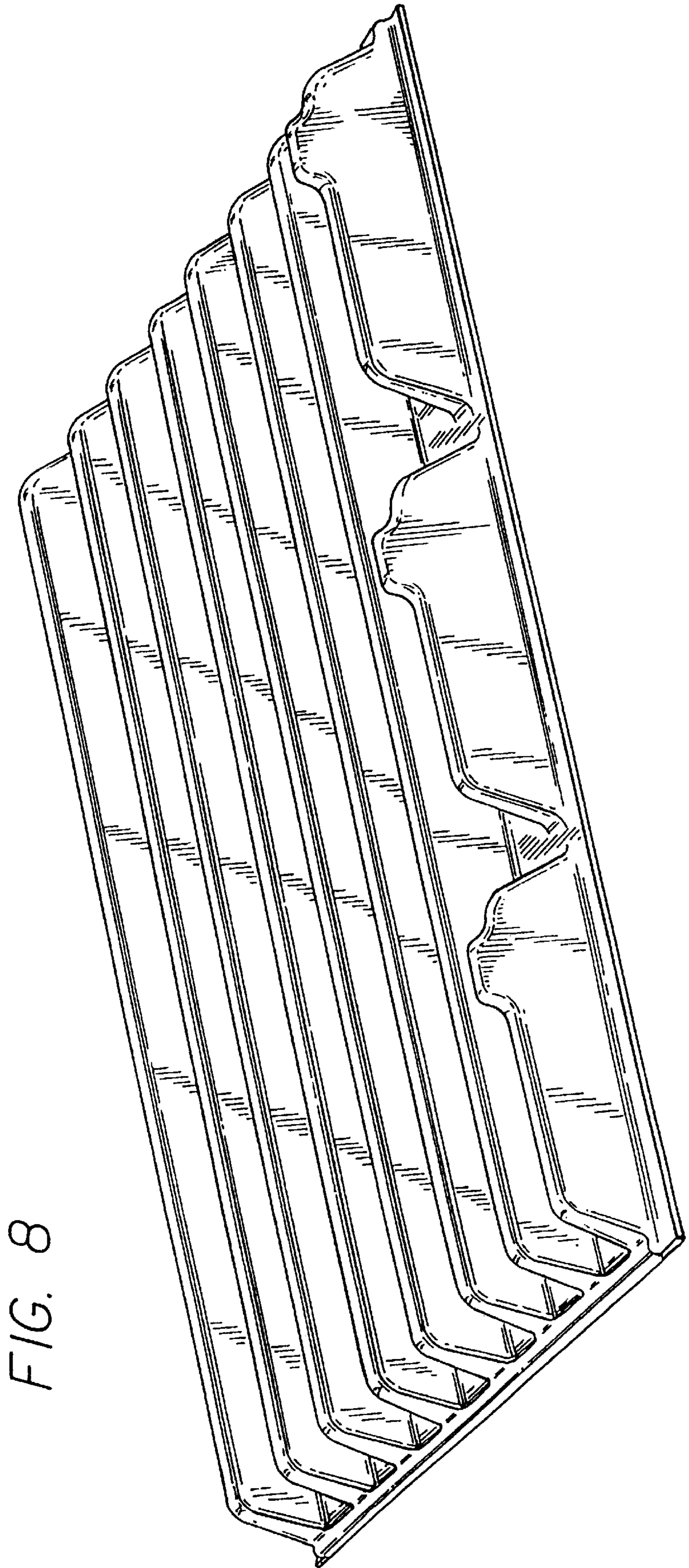


FIG. 8

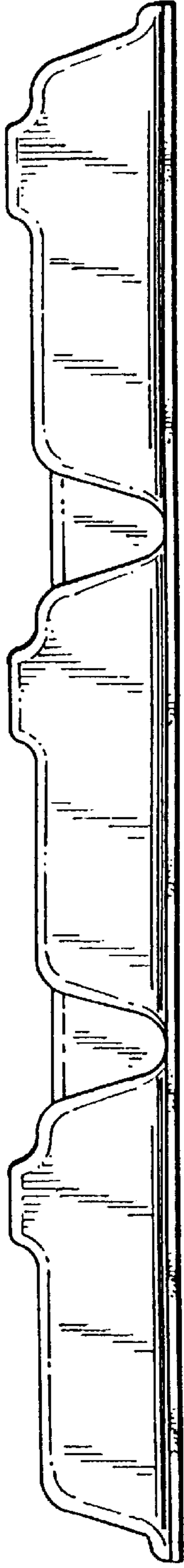


FIG. 9

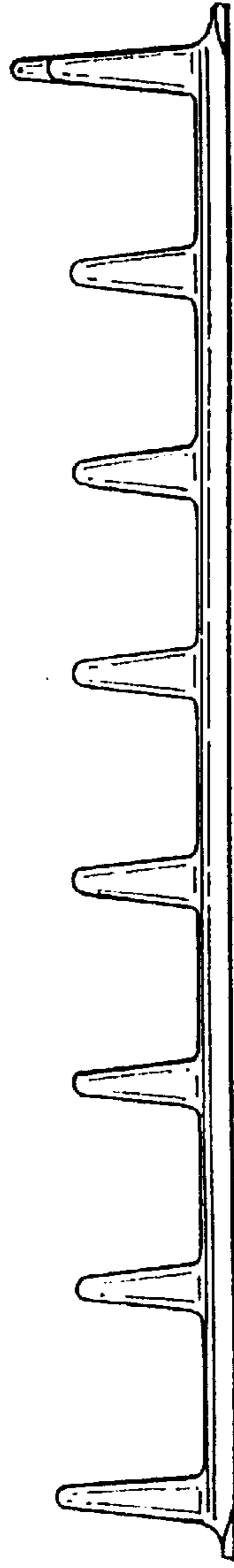


FIG. 10

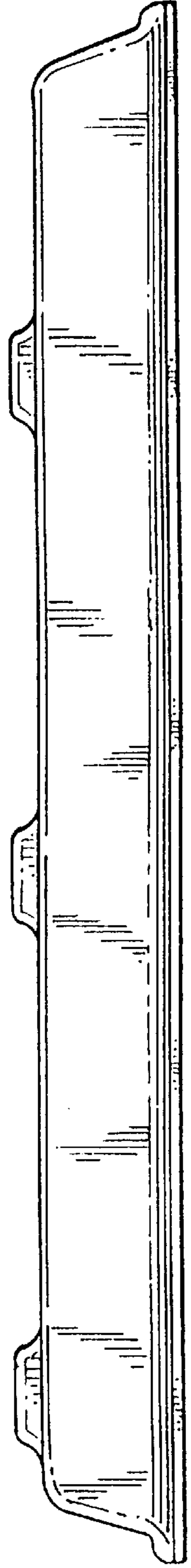


FIG. 11



FIG. 12

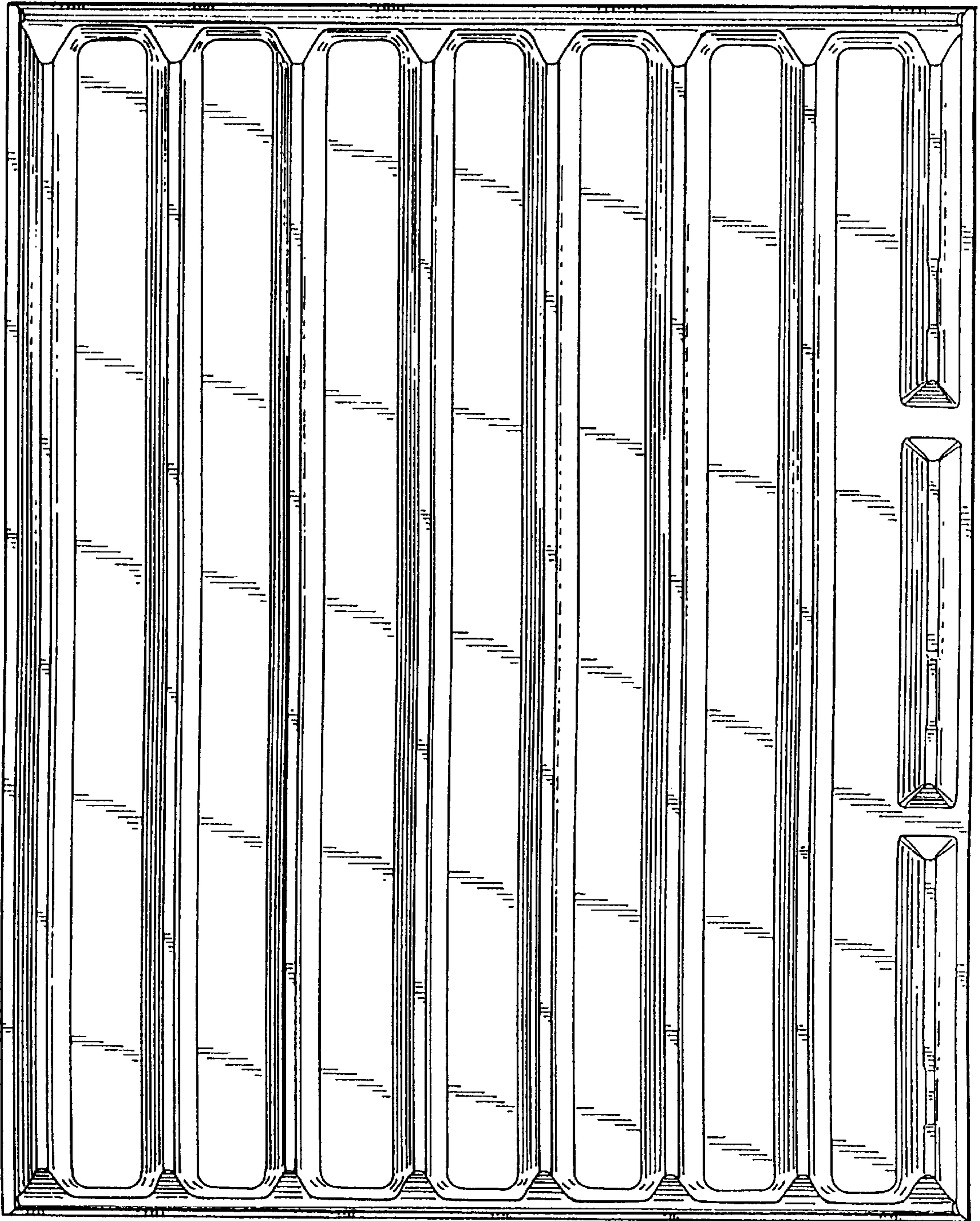


FIG. 13

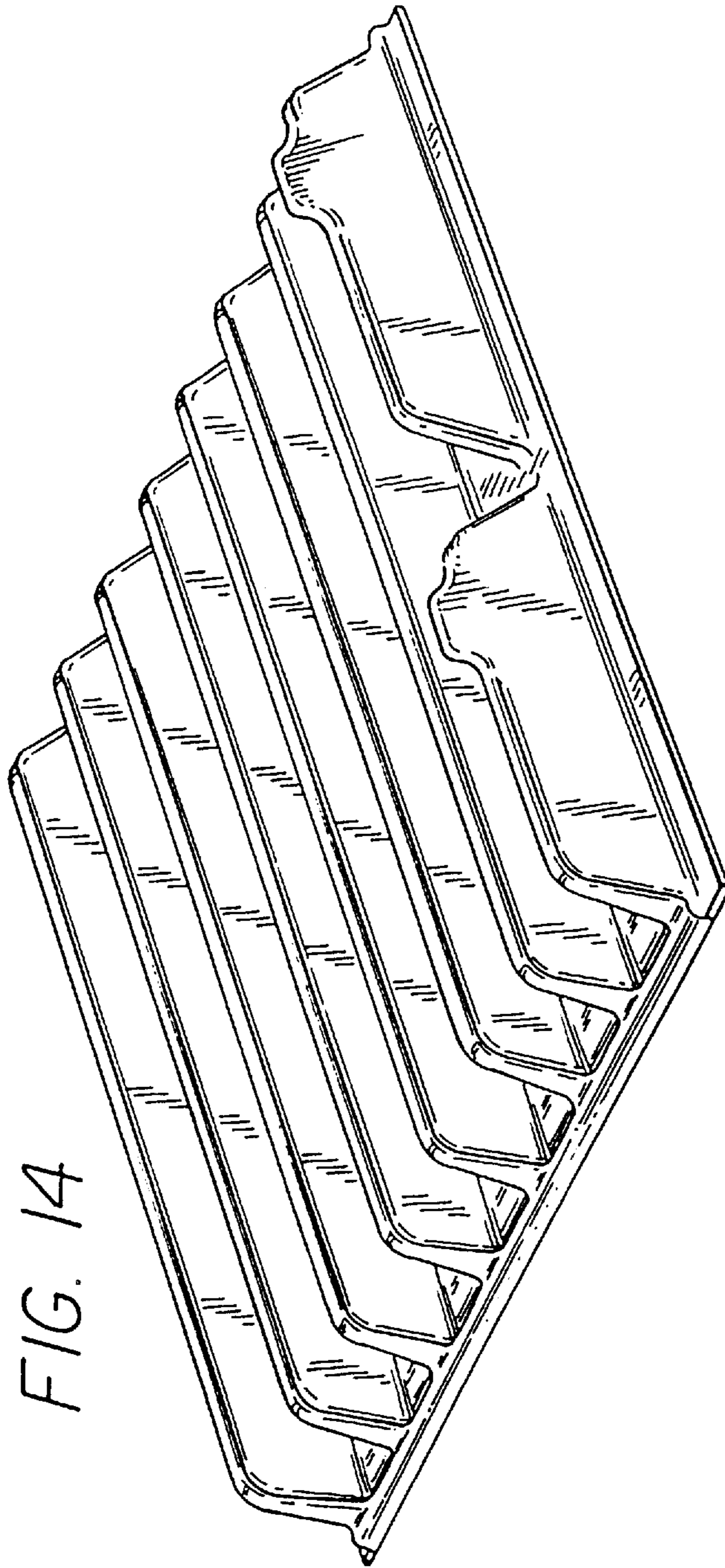


FIG. 14

FIG. 15

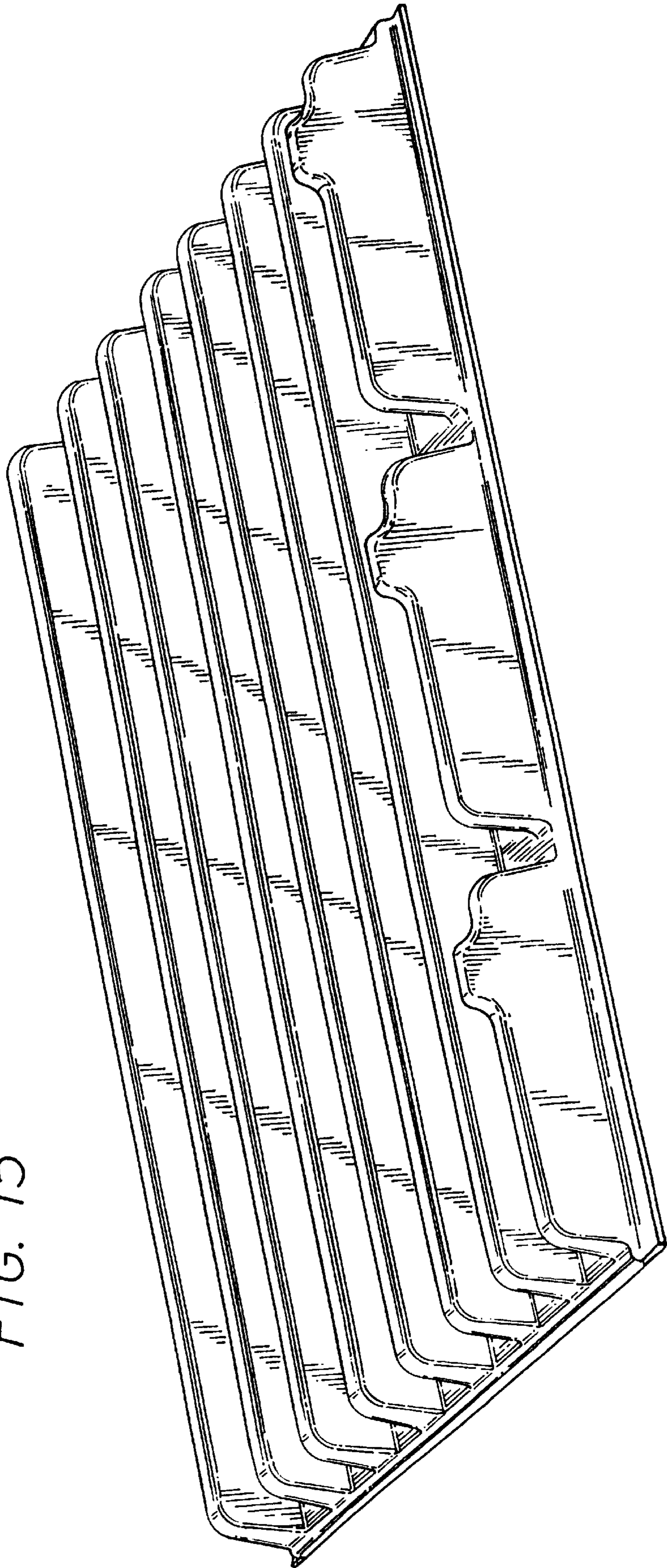


FIG. 16

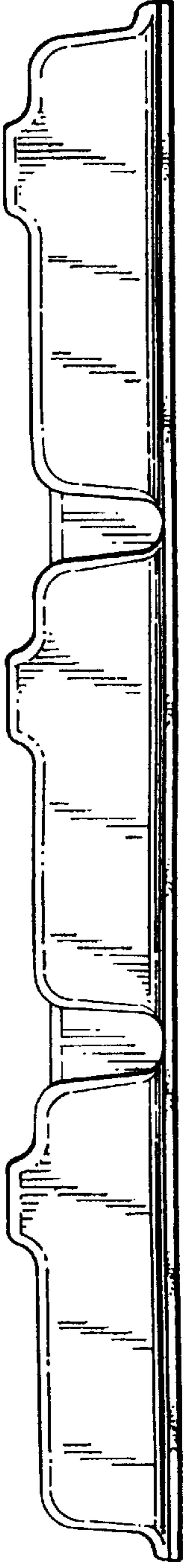


FIG. 17

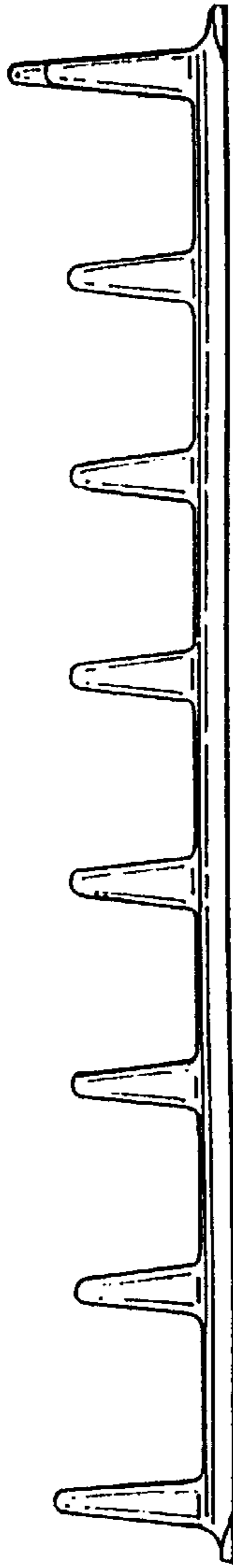


FIG. 18

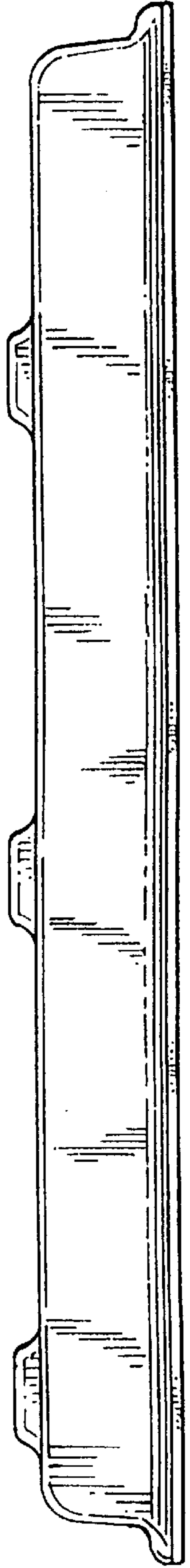


FIG. 19

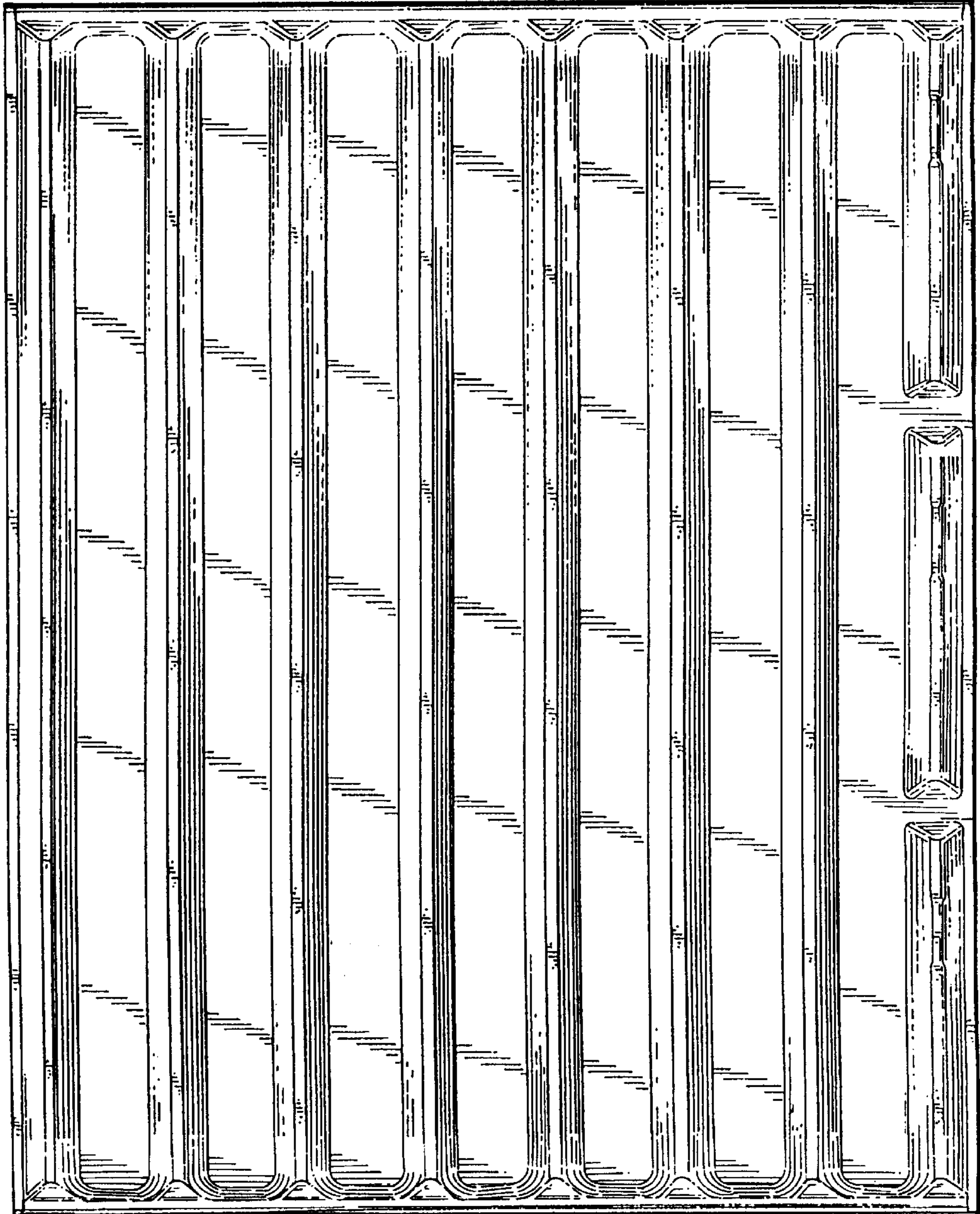
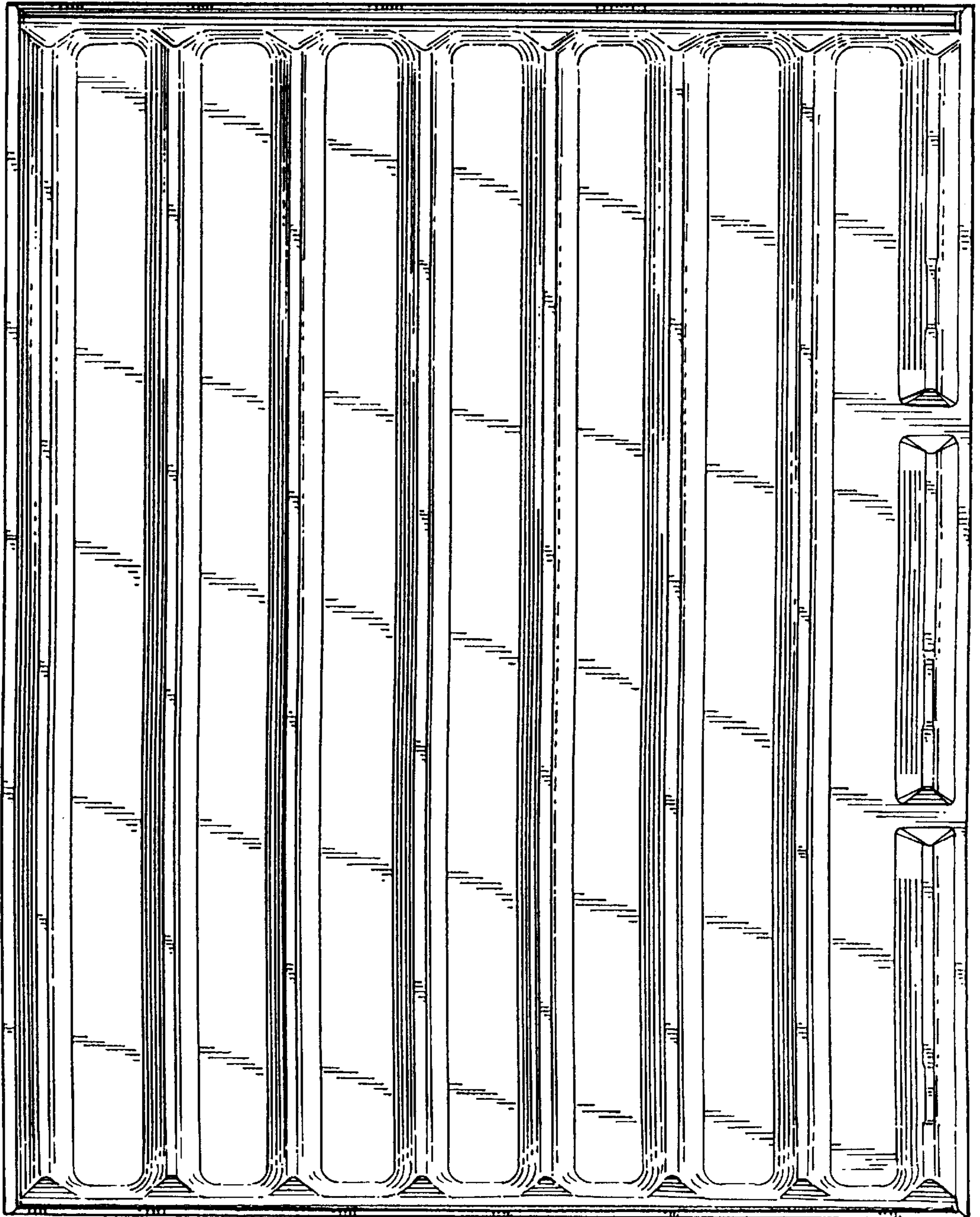


FIG. 20



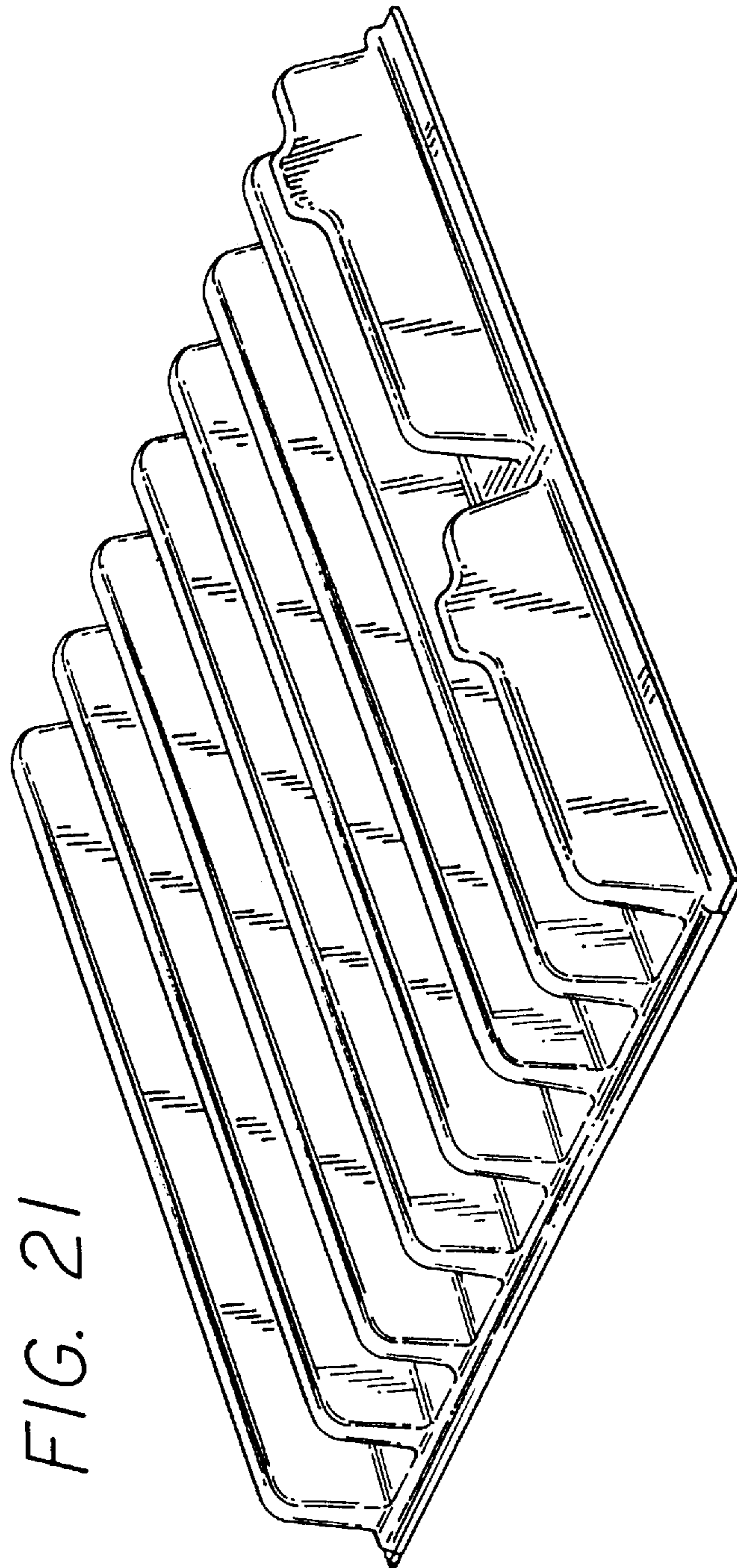


FIG. 21

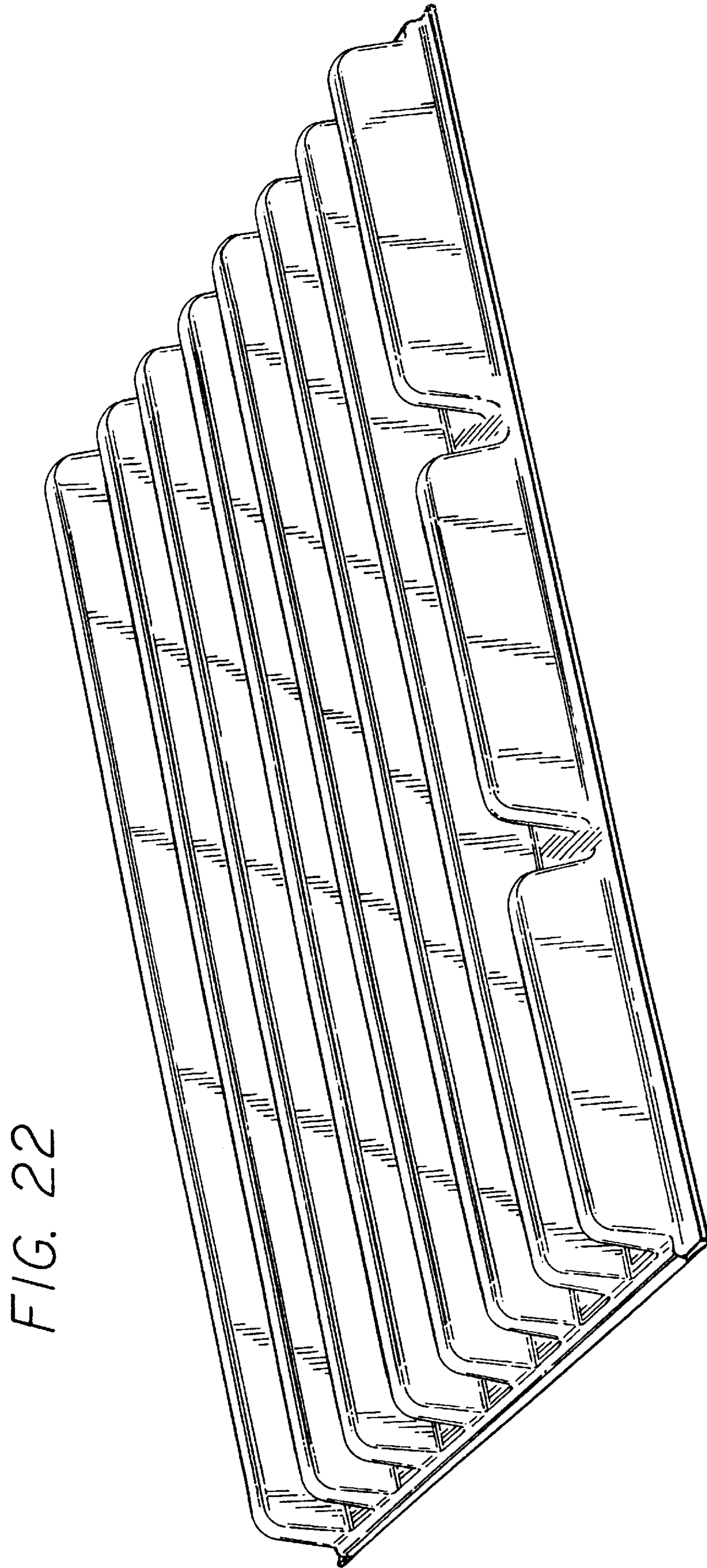


FIG. 22

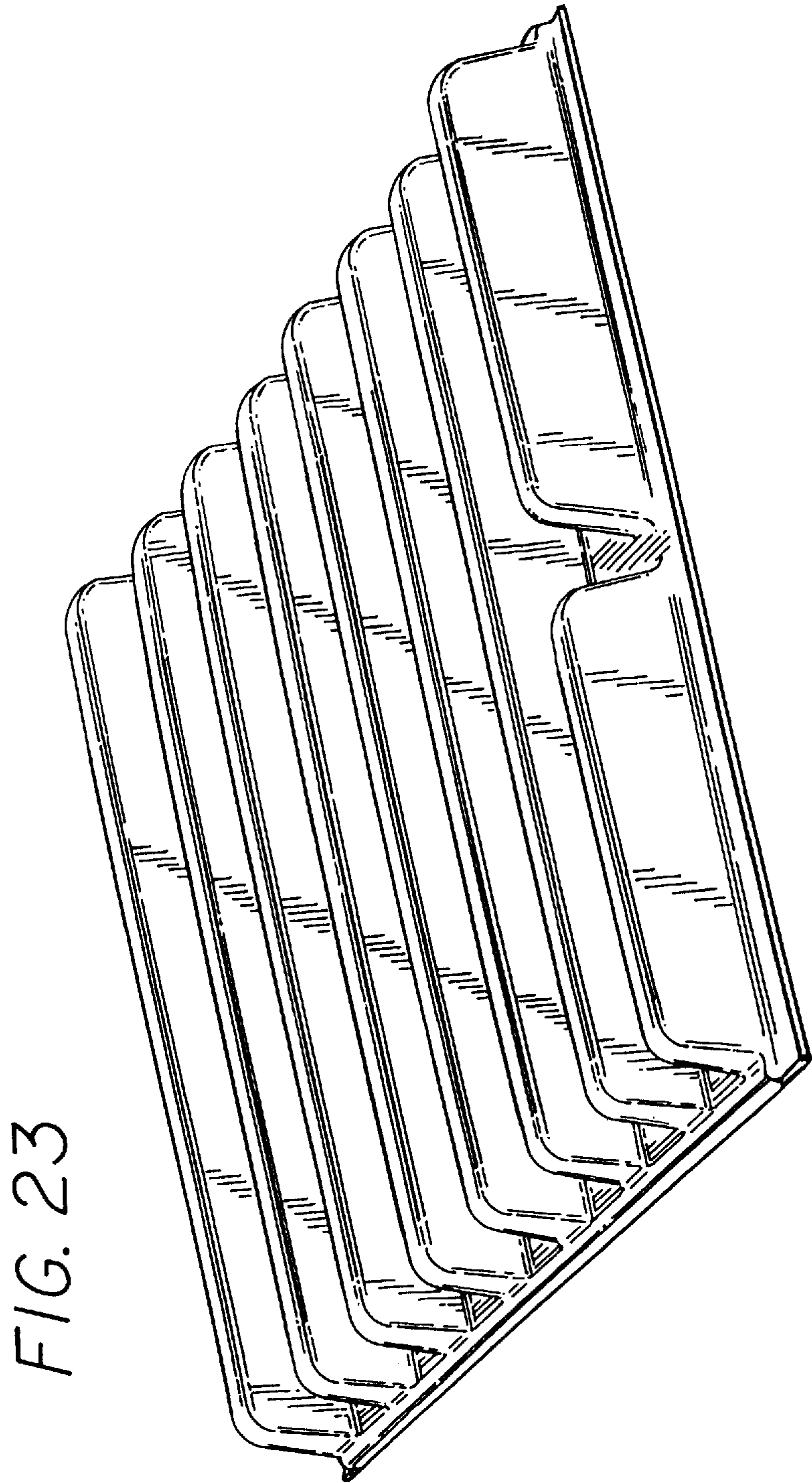


FIG. 23