



US00D402134S

United States Patent [19] Schrader

[11] **Patent Number: Des. 402,134**

[45] **Date of Patent: **Dec. 8, 1998**

[54] **HOLDING CHEST**

[76] Inventor: **Theodore W. Schrader**, 594 E. 200
North, Springville, Utah 84663

[**] Term: **14 Years**

[21] Appl. No.: **66,021**

[22] Filed: **Feb. 4, 1997**

[51] **LOC (6) Cl. 06-04**

[52] **U.S. Cl. D6/440**

[58] **Field of Search** D6/432-448; D3/272,
D3/273, 276, 294, 903; 190/19, 20; 217/5,
56, 57, 58

[56] **References Cited**

U.S. PATENT DOCUMENTS

D. 70,897	8/1926	Purchas	D3/294
D. 73,616	10/1927	McKeon	D3/272
D. 82,063	9/1930	Shriver	D3/272
D. 173,200	10/1954	Goodhue	D3/272

D. 239,153	3/1976	Snyder	D3/272
D. 328,676	8/1992	Miller	D6/440
D. 354,518	1/1995	Dietterich et al.	D3/272
D. 369,466	5/1996	Jannard	D3/272

Primary Examiner—Carmen H. Vales-Lado
Attorney, Agent, or Firm—Thorpe, North & Western, L.L.P.

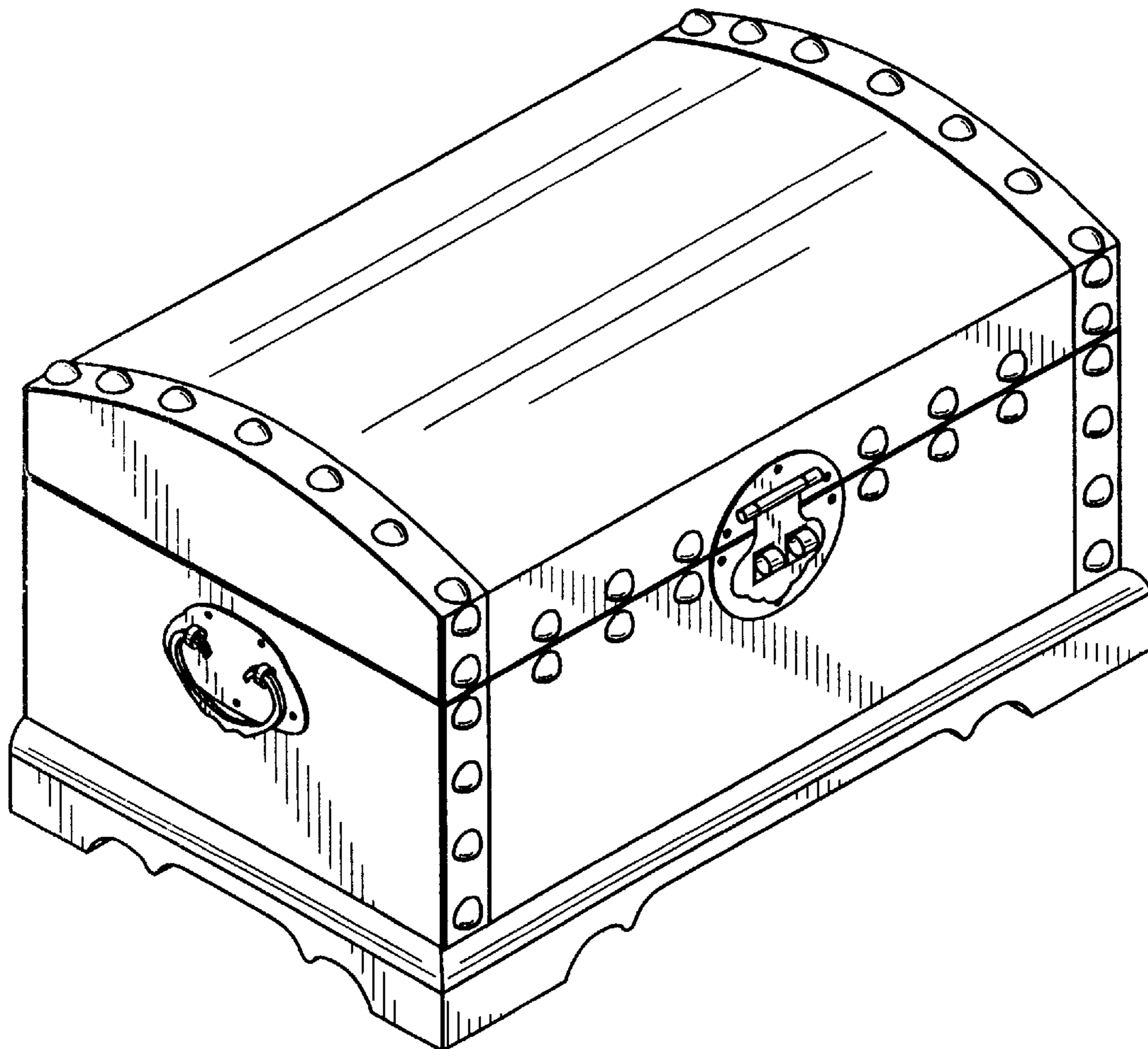
[57] **CLAIM**

I claim the ornamental design for a holding chest, as shown and described.

DESCRIPTION

FIG. 1 is a perspective view of a holding chest showing my new design;
FIG. 2 is a front elevational view thereof;
FIG. 3 is a rear elevational view thereof;
FIG. 4 is a left side elevational view thereof;
FIG. 5 is a right side elevational view thereof;
FIG. 6 is a top plan view thereof; and,
FIG. 7 is a bottom plan view thereof.

1 Claim, 3 Drawing Sheets



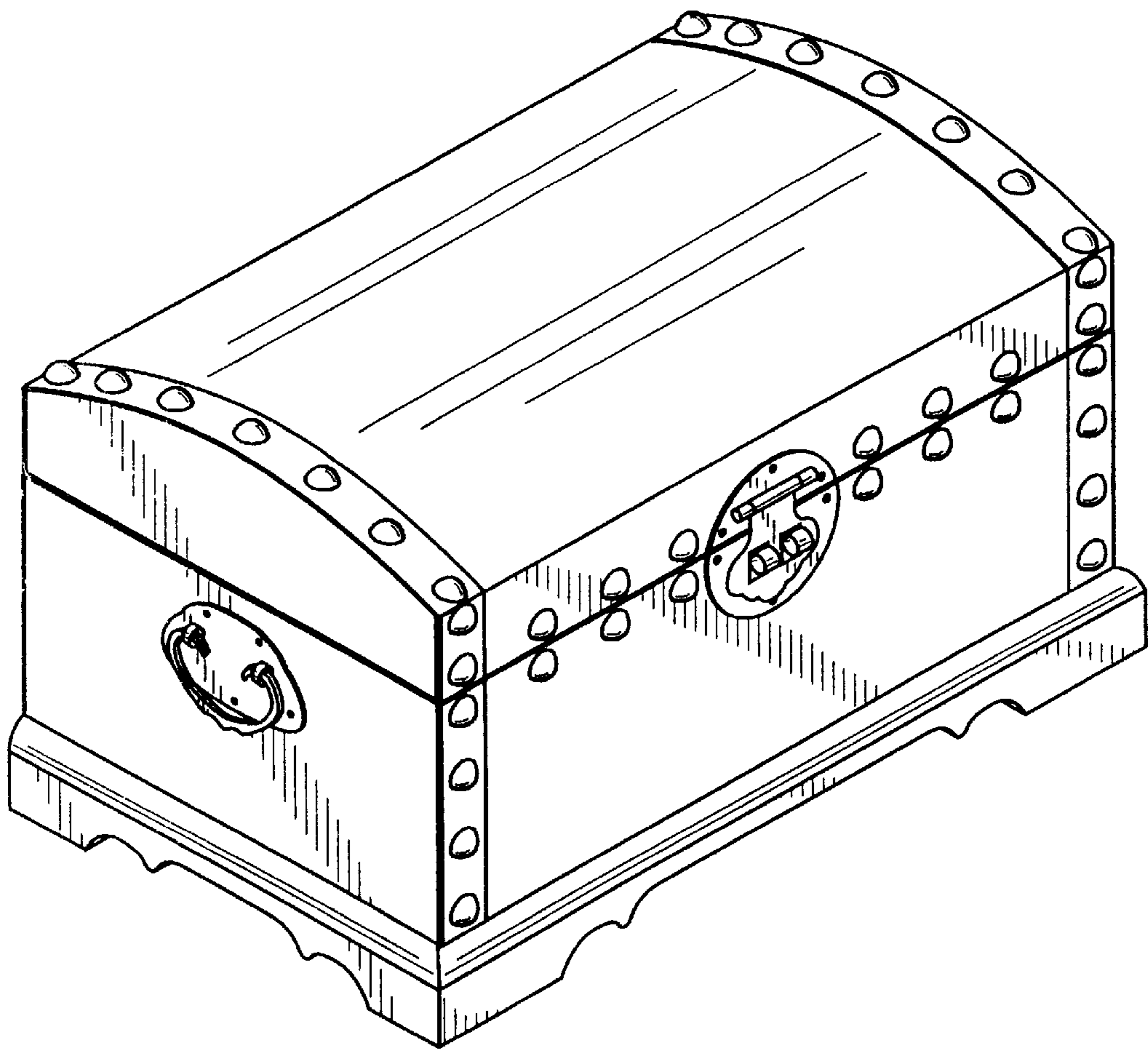


Fig. 1

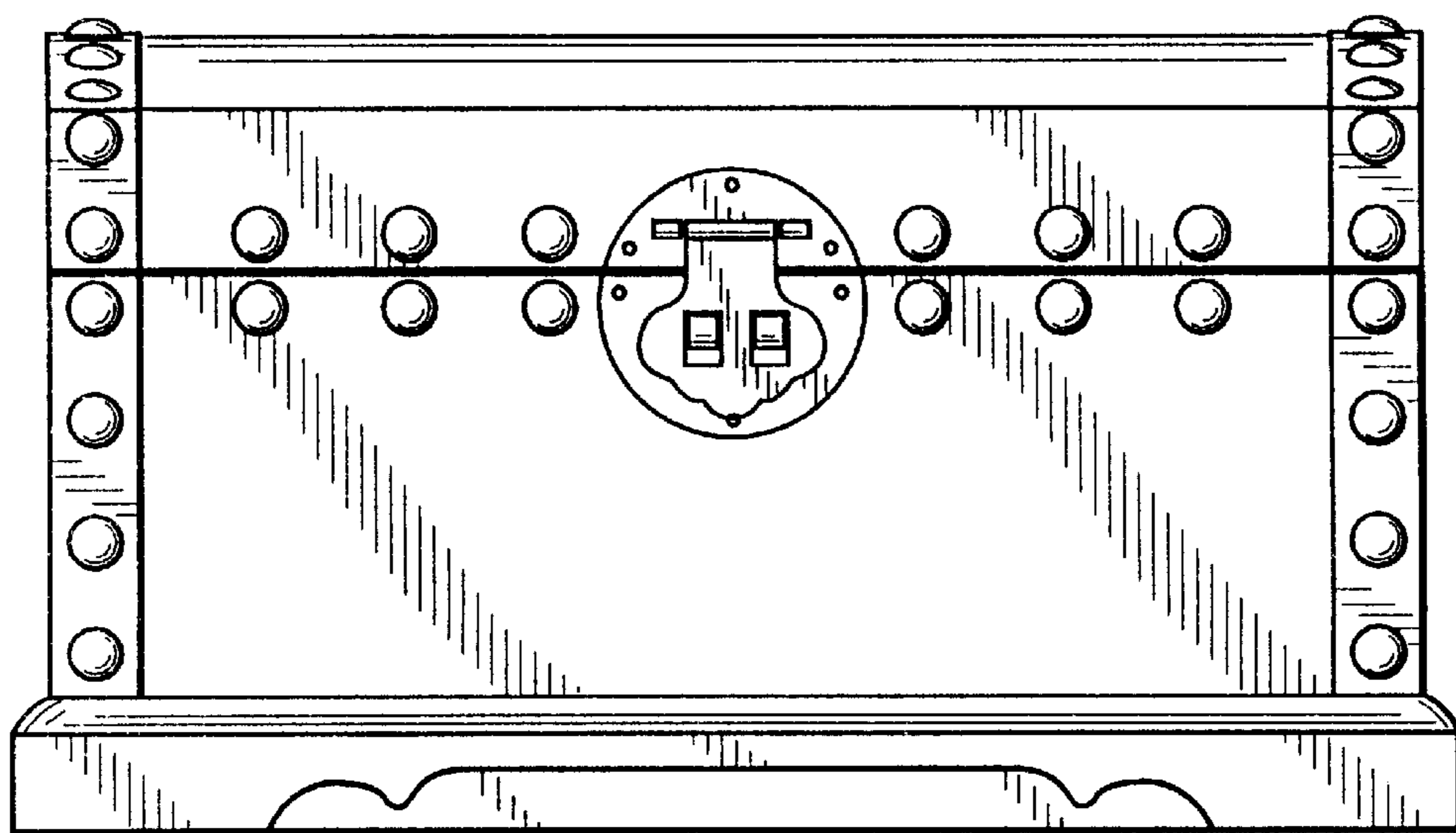


Fig. 2

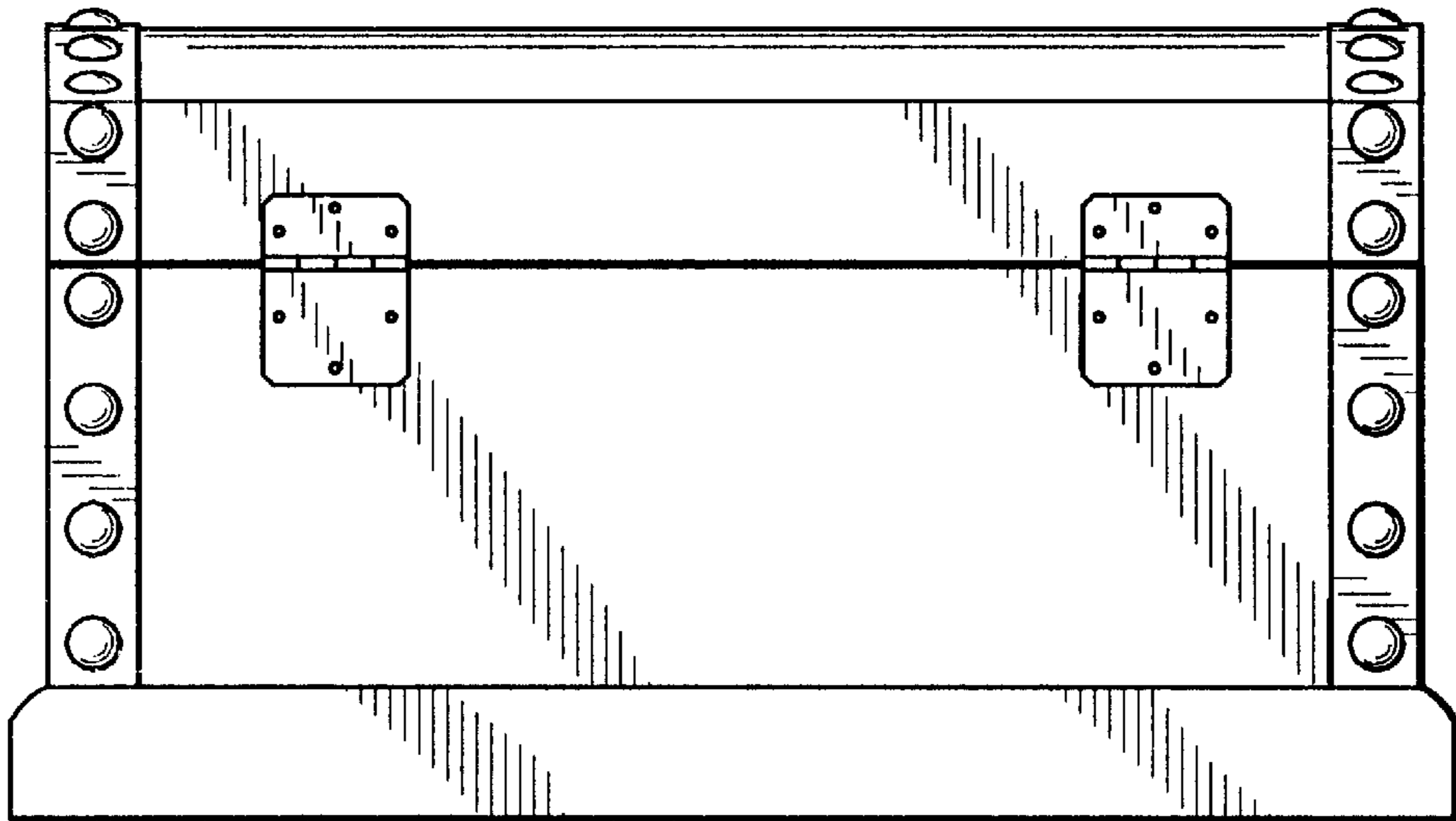


Fig. 3

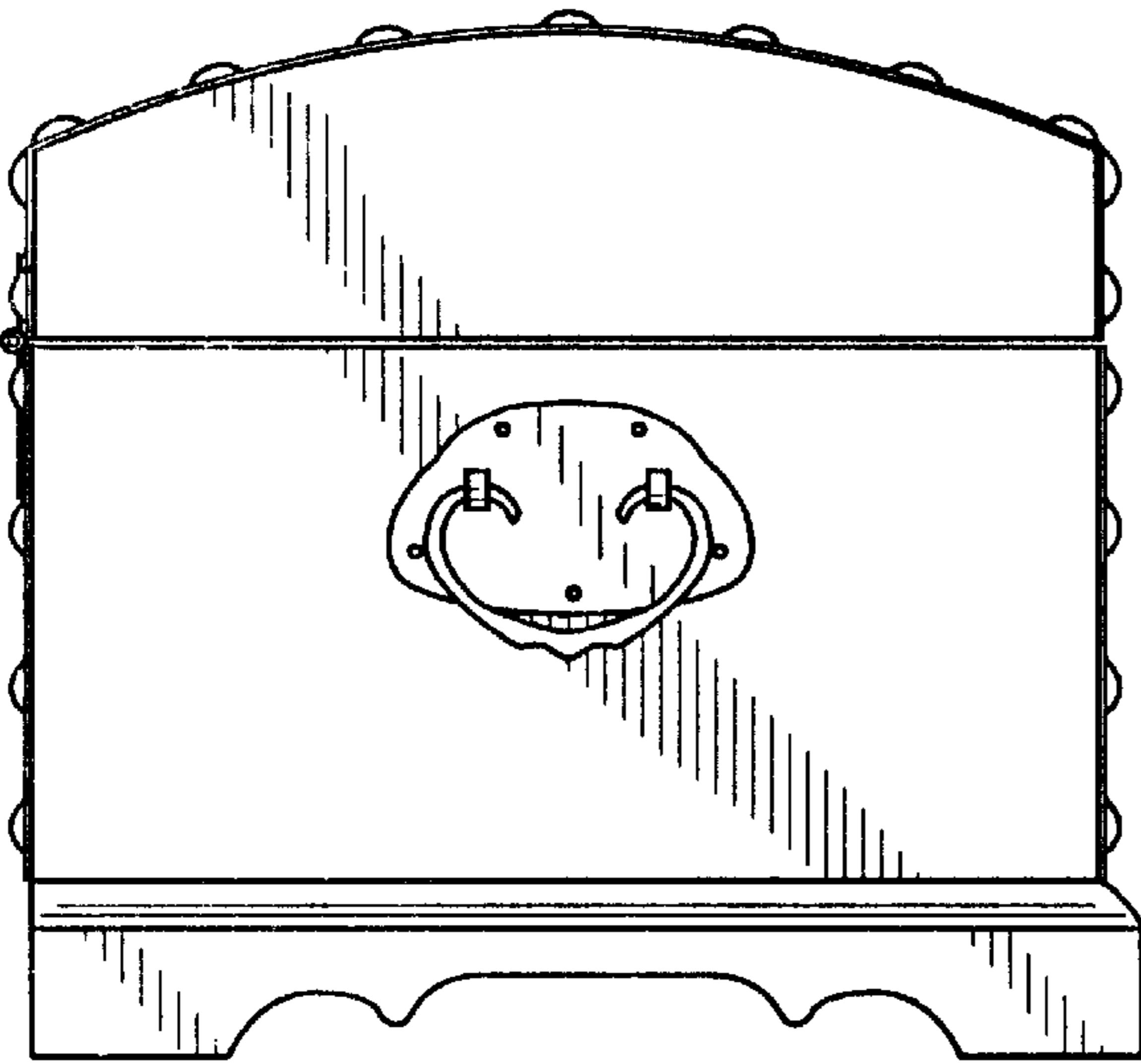


Fig. 4

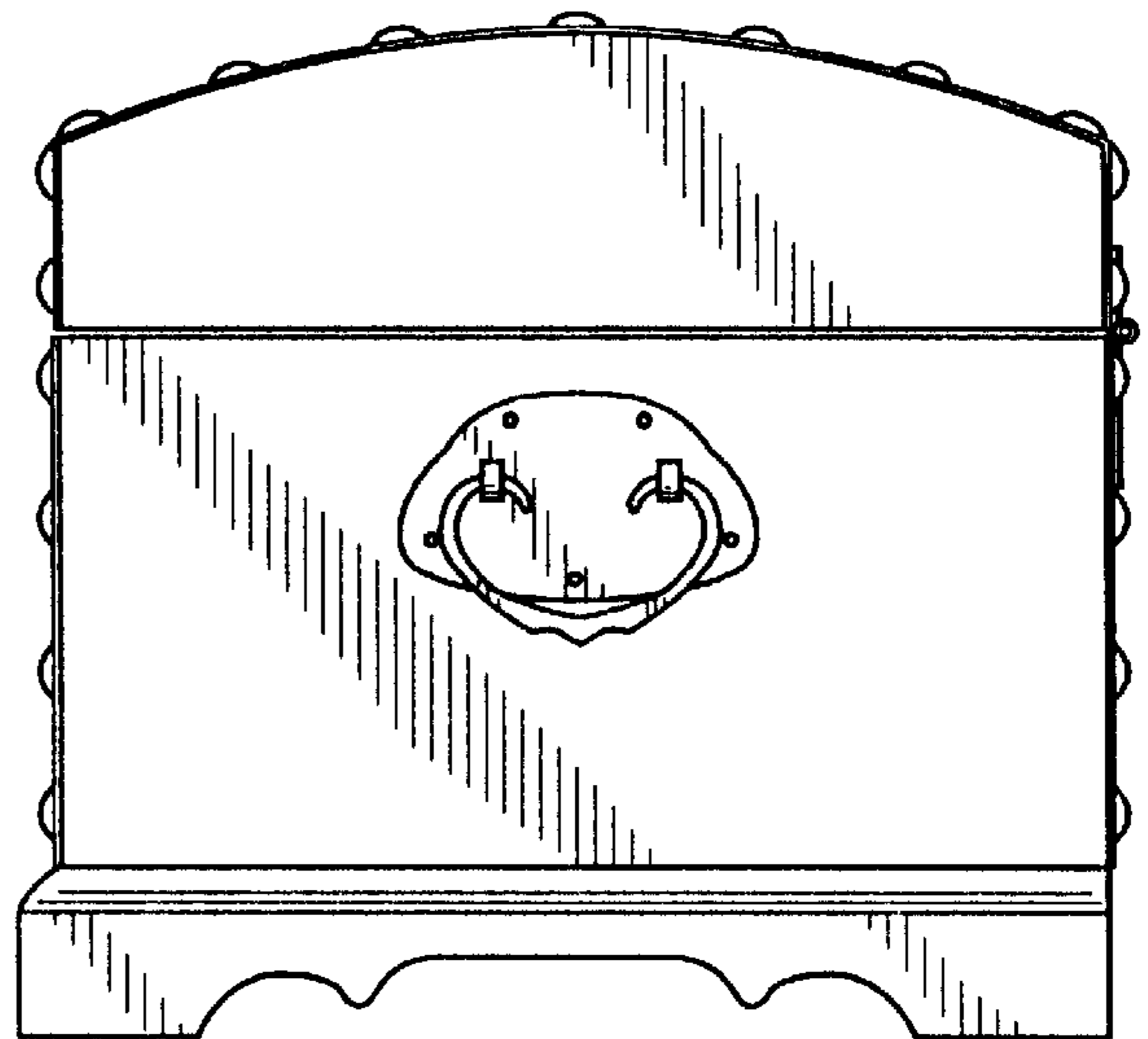


Fig. 5

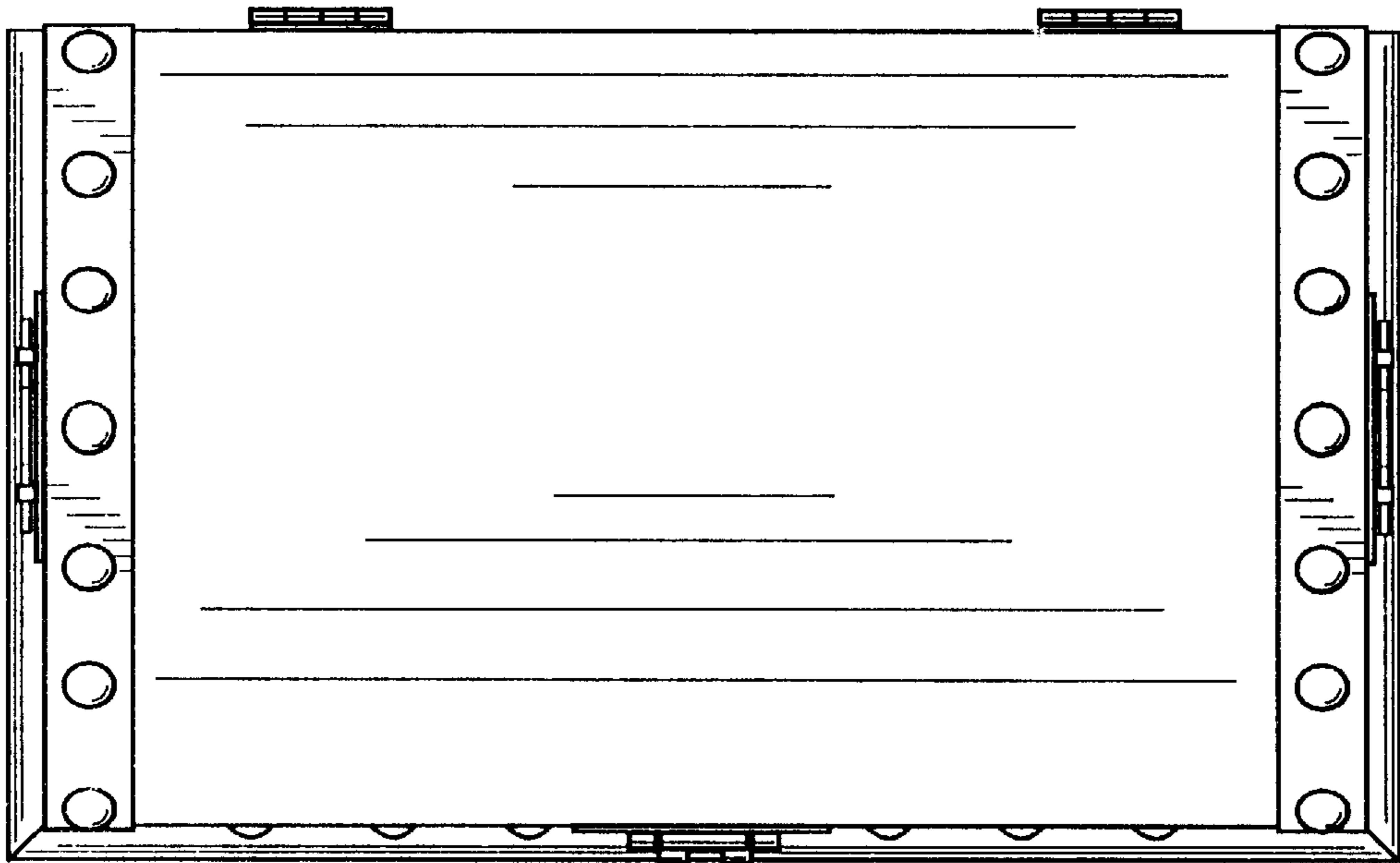


Fig. 6

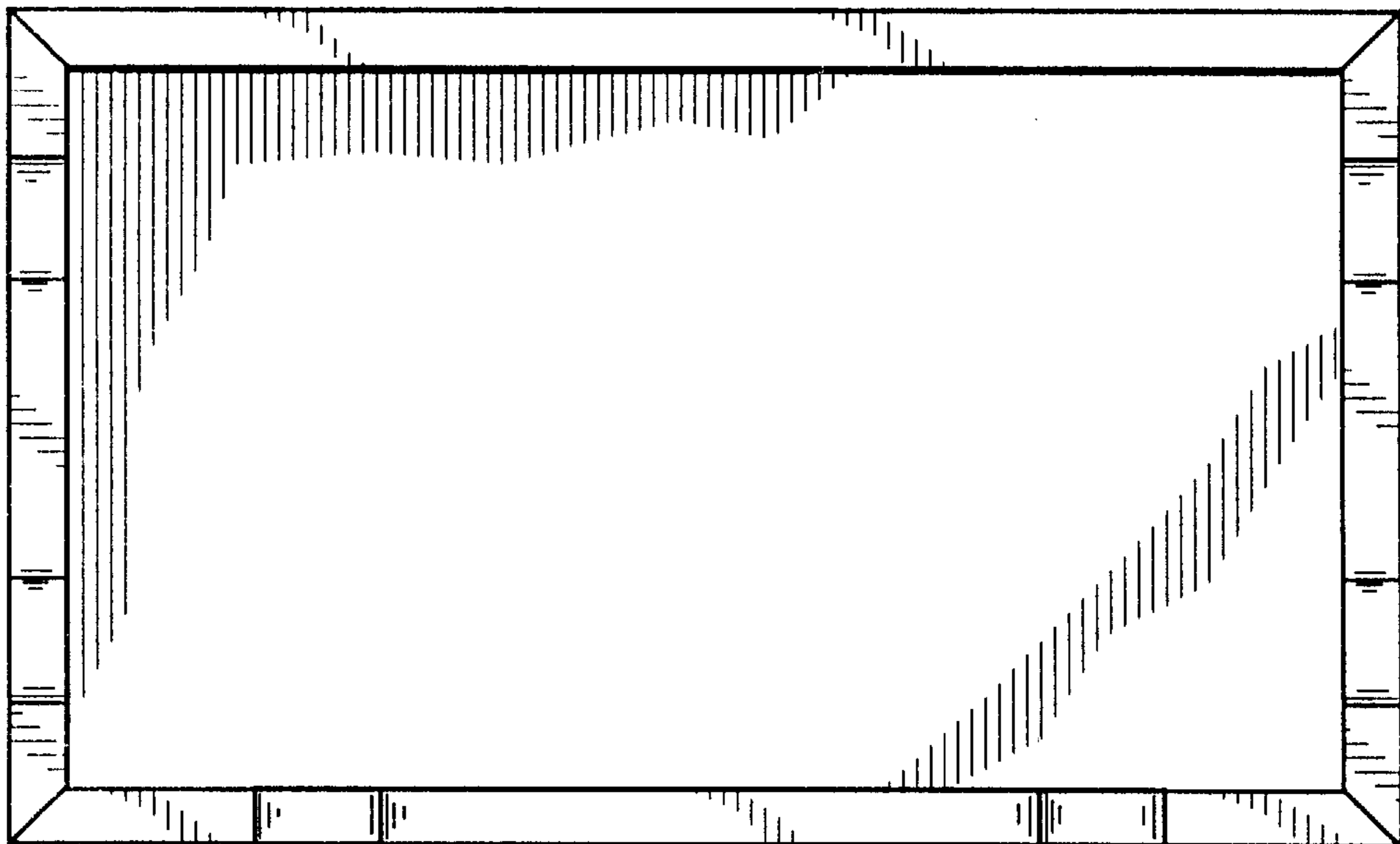


Fig. 7