



US00D402131S

# United States Patent [19]

Anderson et al.

[11] Patent Number: **Des. 402,131**

[45] Date of Patent: **\*\*Dec. 8, 1998**

[54] **DISPLAY AND SERVING CASE**

[75] Inventors: **Robert H. Anderson**, Blue Bell, Pa.; **Stanley J. Jurgenburg**, Los Angeles, Calif.; **David C. Rolston**; **Mark E. Gilpatric**, both of Milwaukee, Wis.

[73] Assignee: **J & J Snack Foods Corp.**, Pennsauken, N.J.

[\*\*] Term: **14 Years**

[21] Appl. No.: **80,868**

[22] Filed: **Dec. 18, 1997**

[51] **LOC (6) Cl.** ..... **06-04**

[52] **U.S. Cl.** ..... **D6/408**; D6/476

[58] **Field of Search** ..... D6/408, 509, 510, D6/511, 466-468, 515, 475, 476, 477, 479; D19/75, 76, 90; 312/36, 45, 128; D20/19, 41, 43; 211/184, 195, 59.2, 59.3, 59.4, 74, 89, 194; 221/123, 282, 286; 206/736-740, 745, 756, 761, 762

[56] **References Cited**

**U.S. PATENT DOCUMENTS**

D. 253,213	10/1979	Hudik et al.	.....	D6/476	X
D. 378,533	3/1997	Wolff	.....	D6/510	X
D. 390,052	2/1998	Wolff	.....	D6/510	
4,730,741	3/1988	Jacke, III et al.	.....	211/59.3	
5,111,942	5/1992	Bernardin	.....	211/59.3	
5,353,939	10/1994	Beeler et al.	.....	211/59.3	

**OTHER PUBLICATIONS**

Point of Purchase Design Annual 3, Retail Reporting Corporation, Louis Rich Carving Board Merchandiser, p. 68 1995.

Point of Purchase Design Annual 3, Retail Reporting Corporation, R.J. Reynolds/BP Oil Backbar Display Program, p. 68 1995.

*Primary Examiner*—James Gandy  
*Assistant Examiner*—Linda Brooks  
*Attorney, Agent, or Firm*—Quarles and Brady

[57] **CLAIM**

The ornamental design for a display and serving case, as shown and described.

**DESCRIPTION**

FIG. 1 is a right front top perspective of a display and serving case showing our new design, the left front perspective being a mirror image thereof;

FIG. 2 is a right side elevation;

FIG. 3 is a left side elevation;

FIG. 4 is a front elevation;

FIG. 5 is a rear elevation;

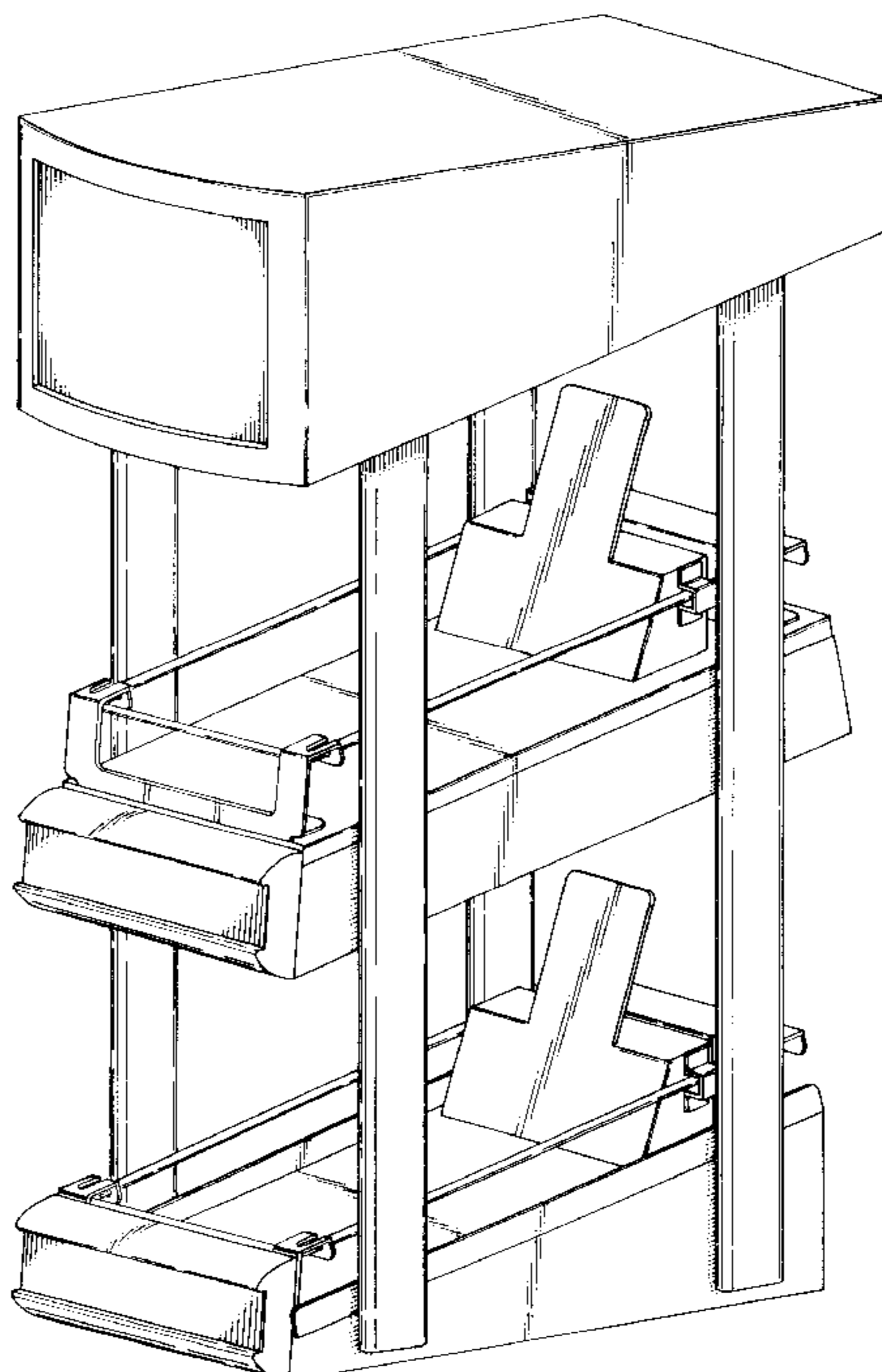
FIG. 6 is a top plan;

FIG. 7 is a bottom plan;

FIG. 8 is a right front top perspective view of the upper tray shown in FIGS. 1-5, shown separately for clarity of illustration, the left front perspective being a mirror image thereof; and,

FIG. 9 is a right front top perspective view of the lower tray shown in FIGS. 1-5, shown separately for clarity of illustration, the left front perspective being a mirror image thereof.

**1 Claim, 5 Drawing Sheets**



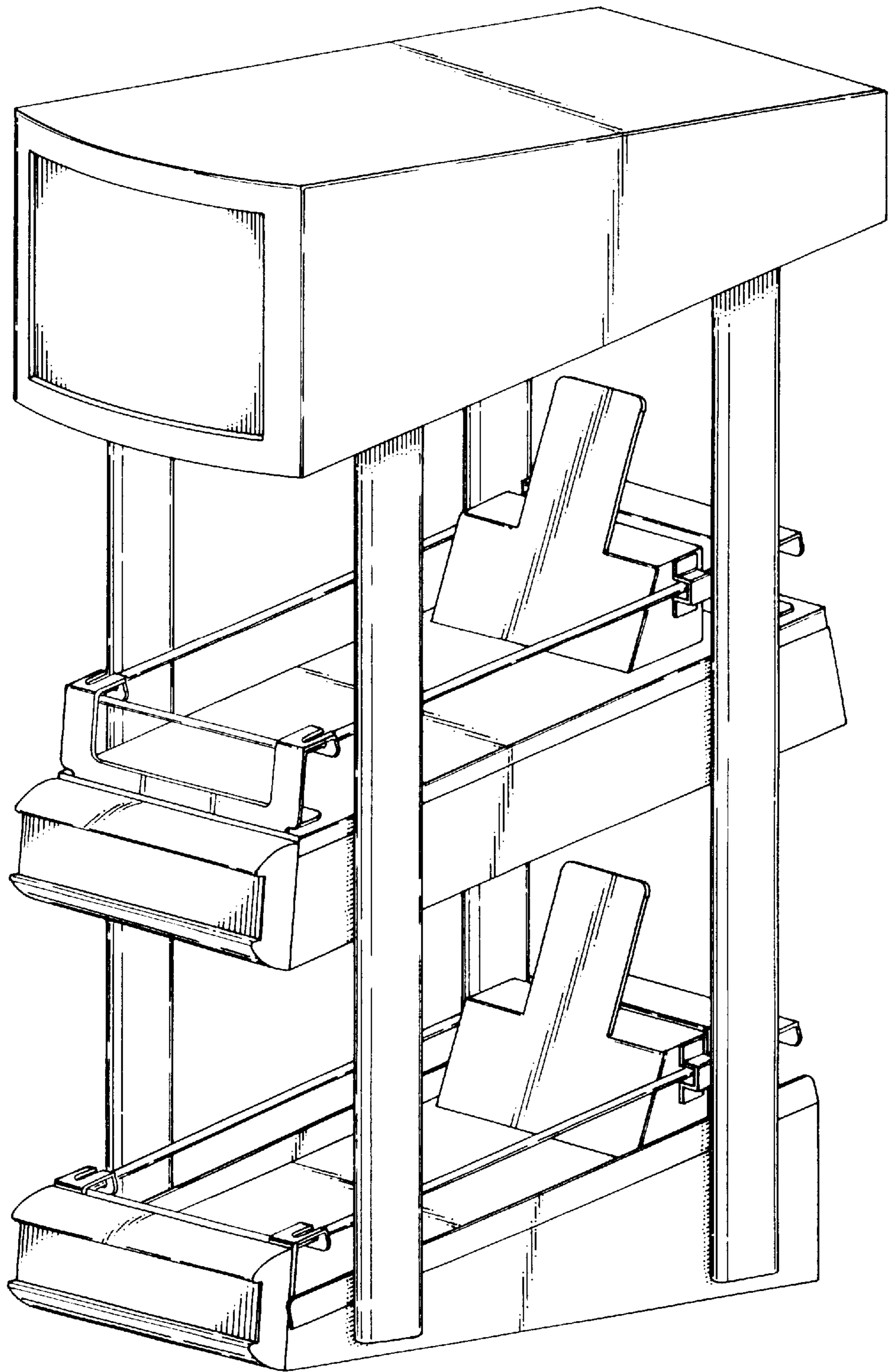


FIG. 1

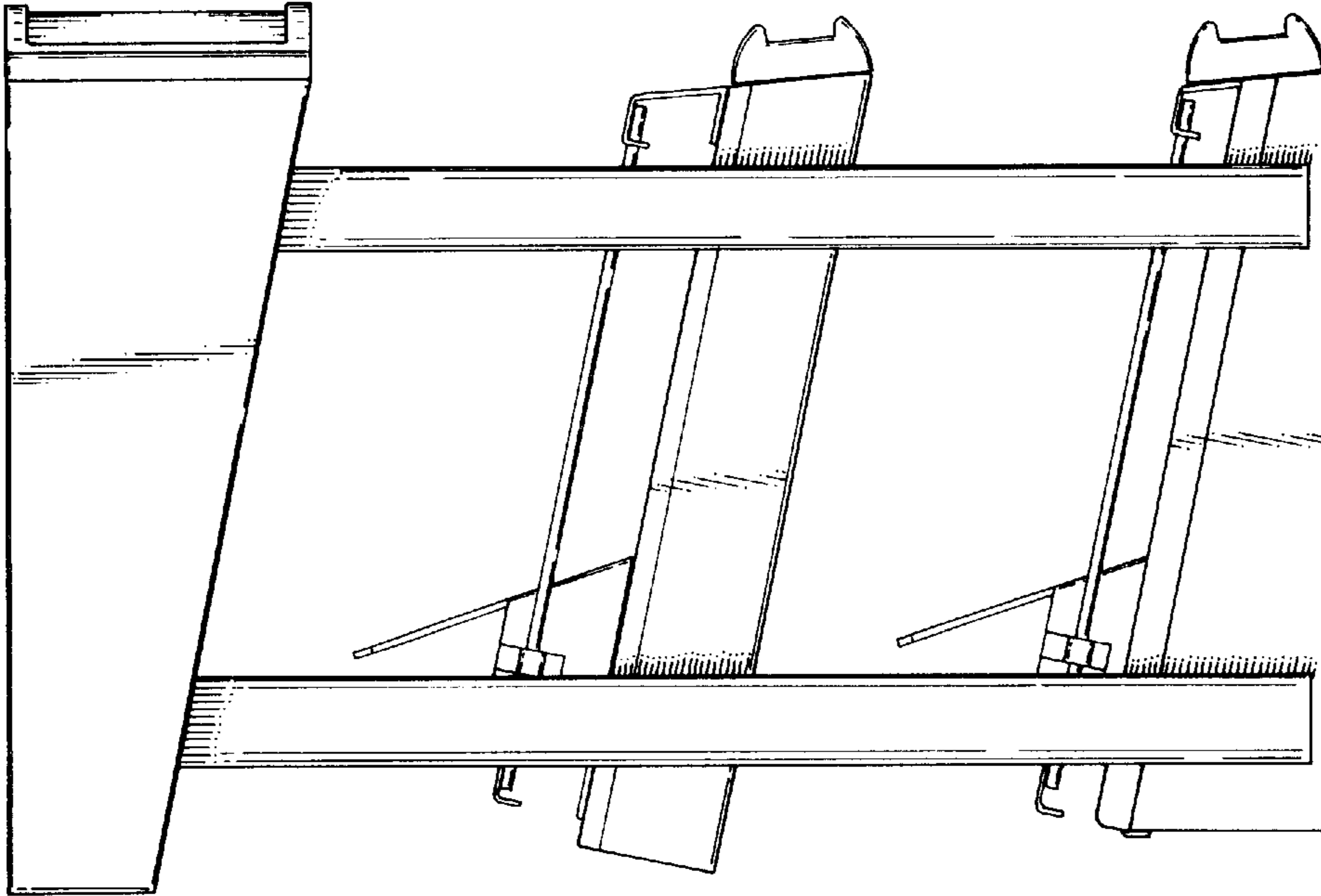


FIG. 3

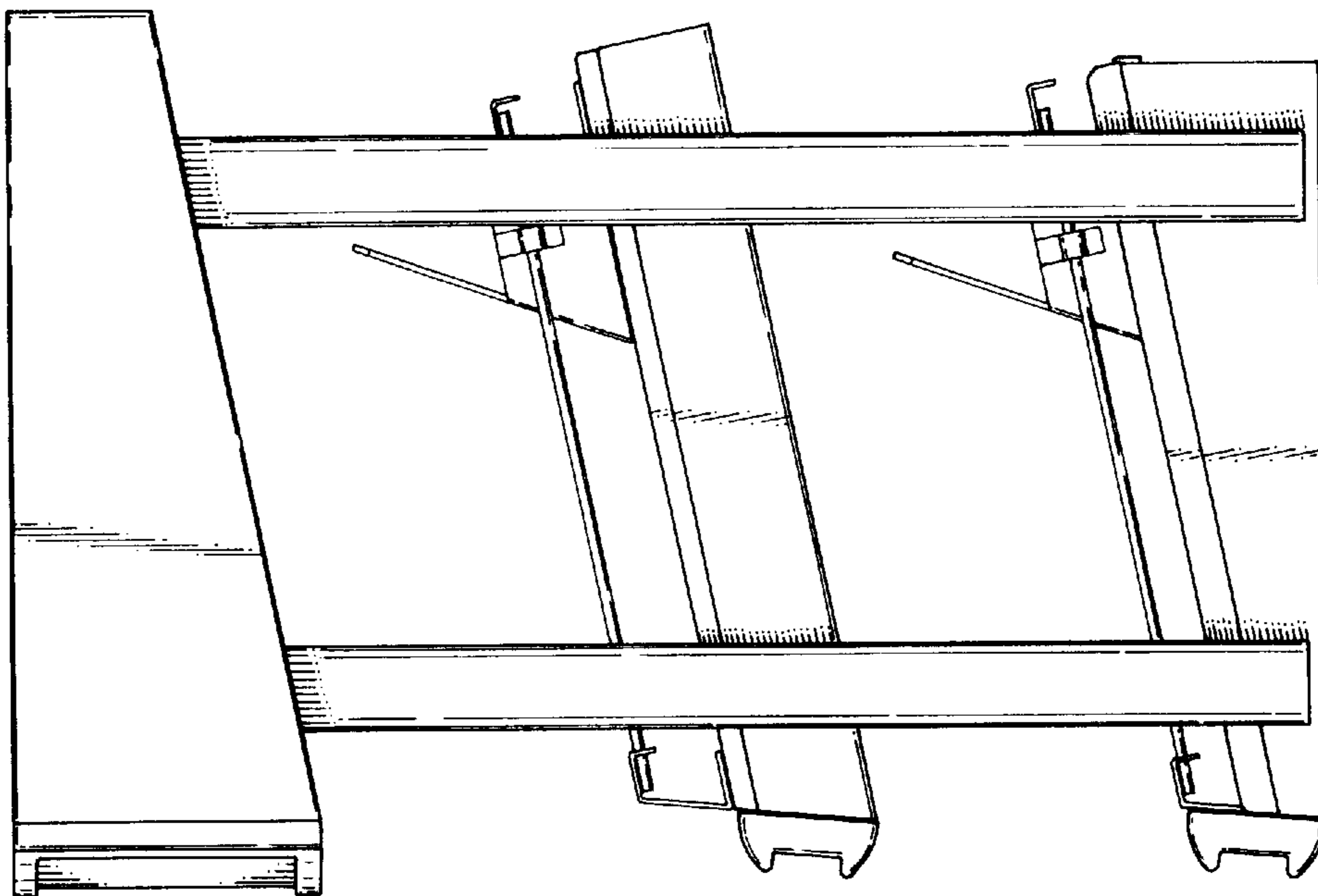


FIG. 2

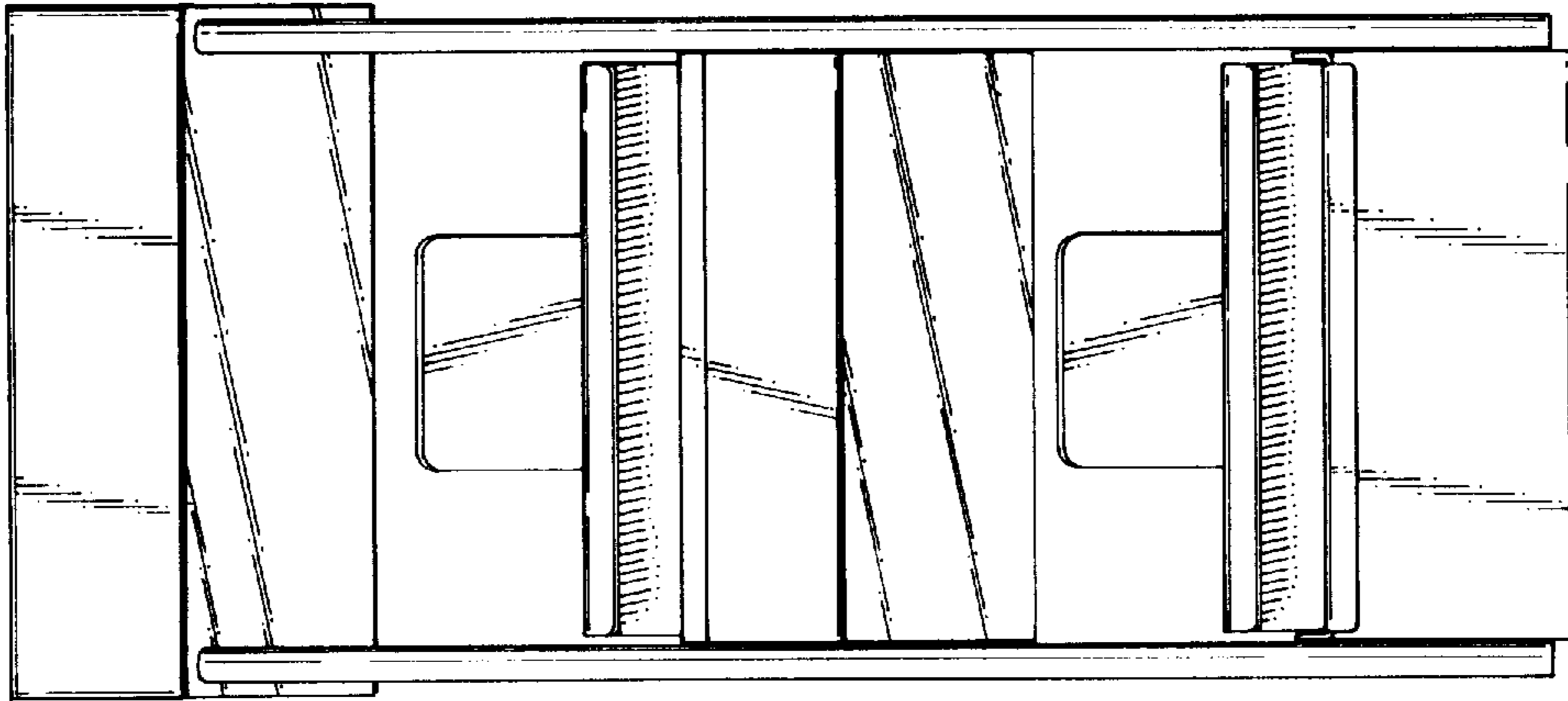


FIG. 5

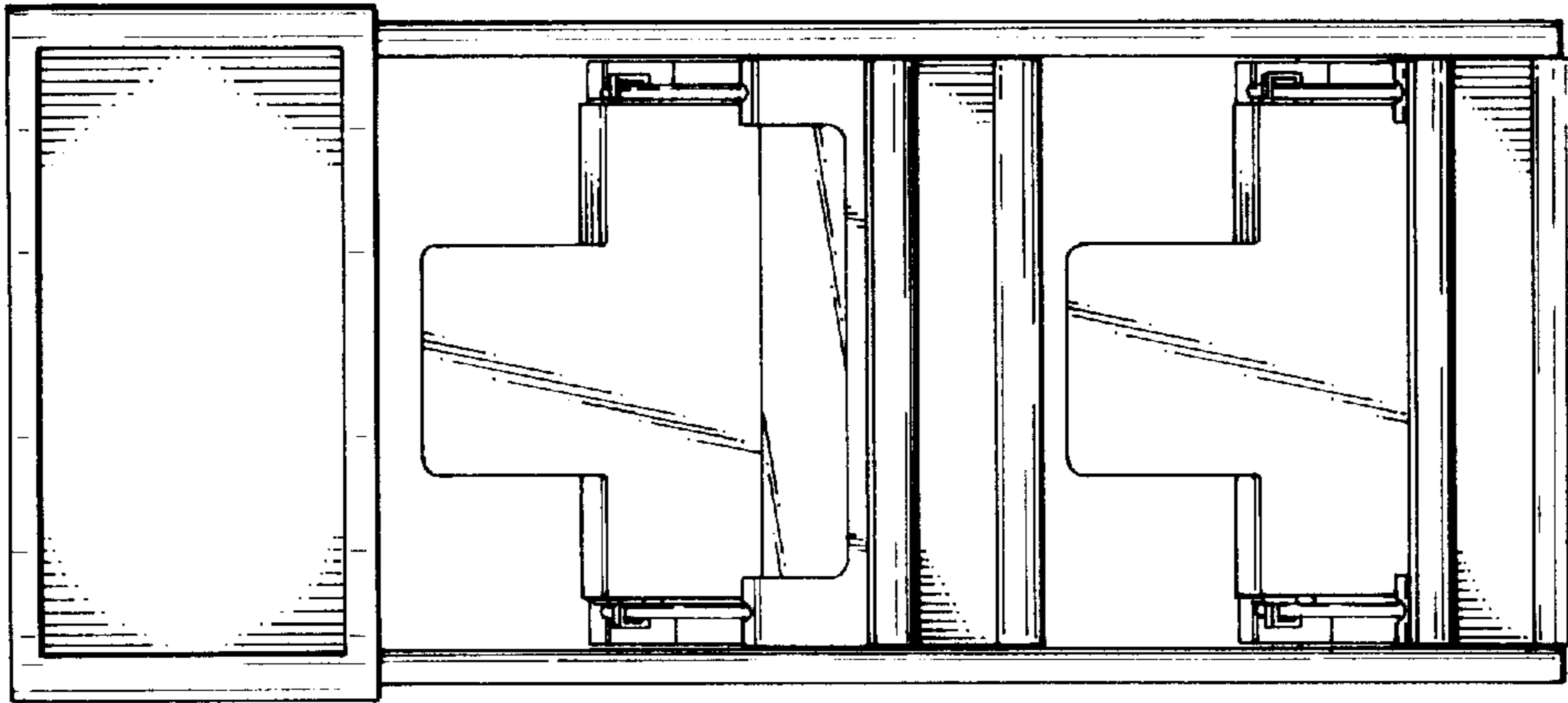


FIG. 4

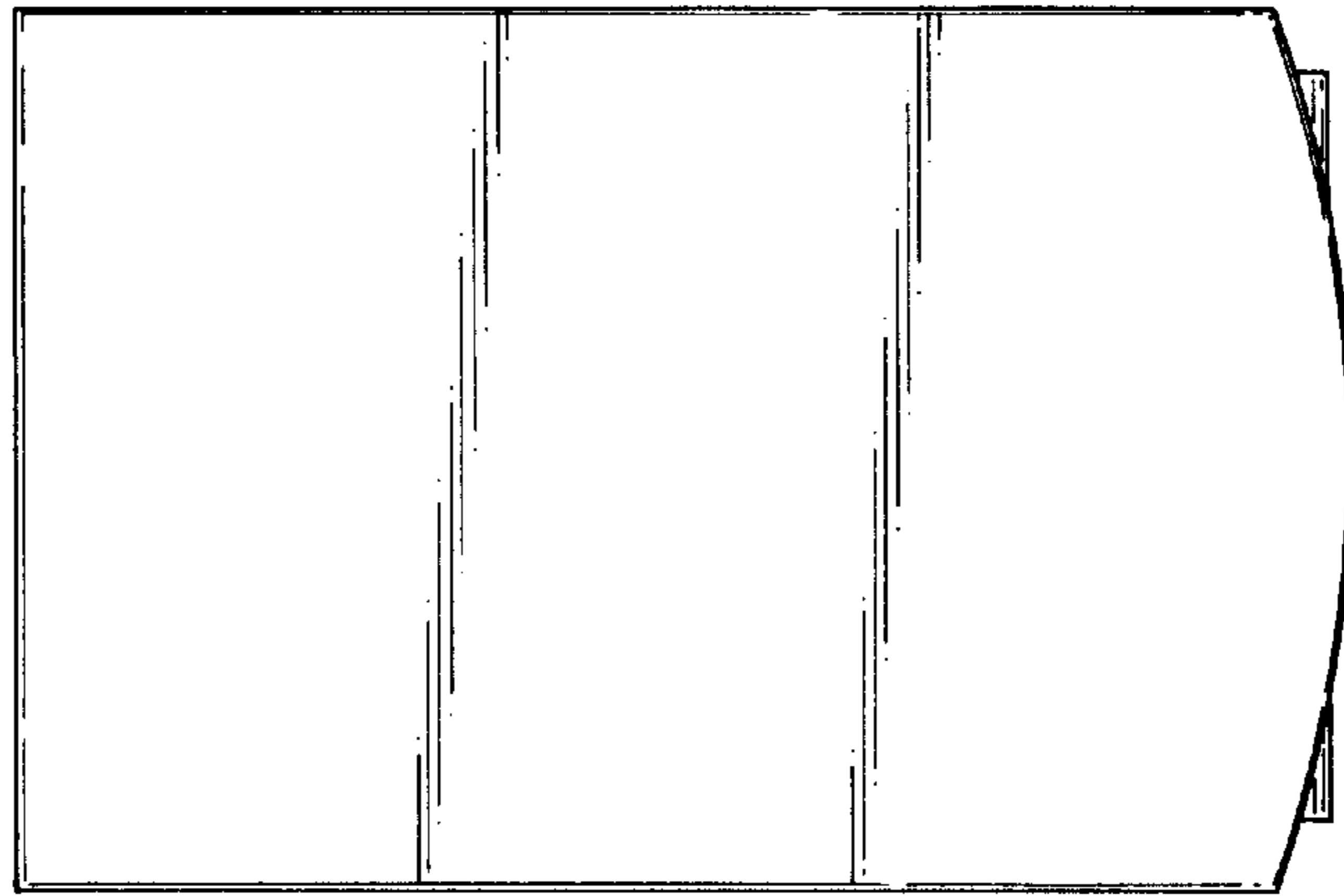


FIG. 6

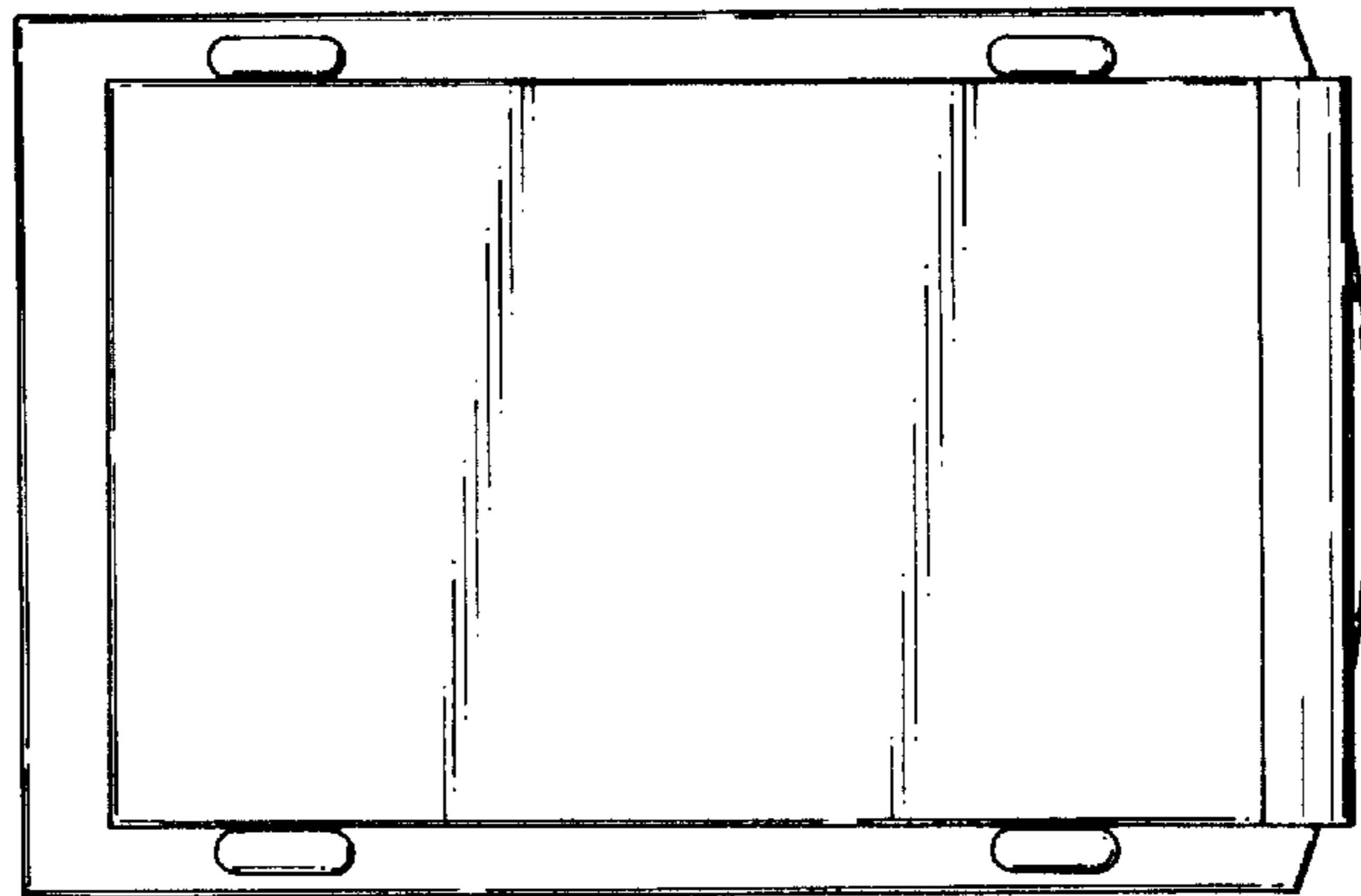


FIG. 7



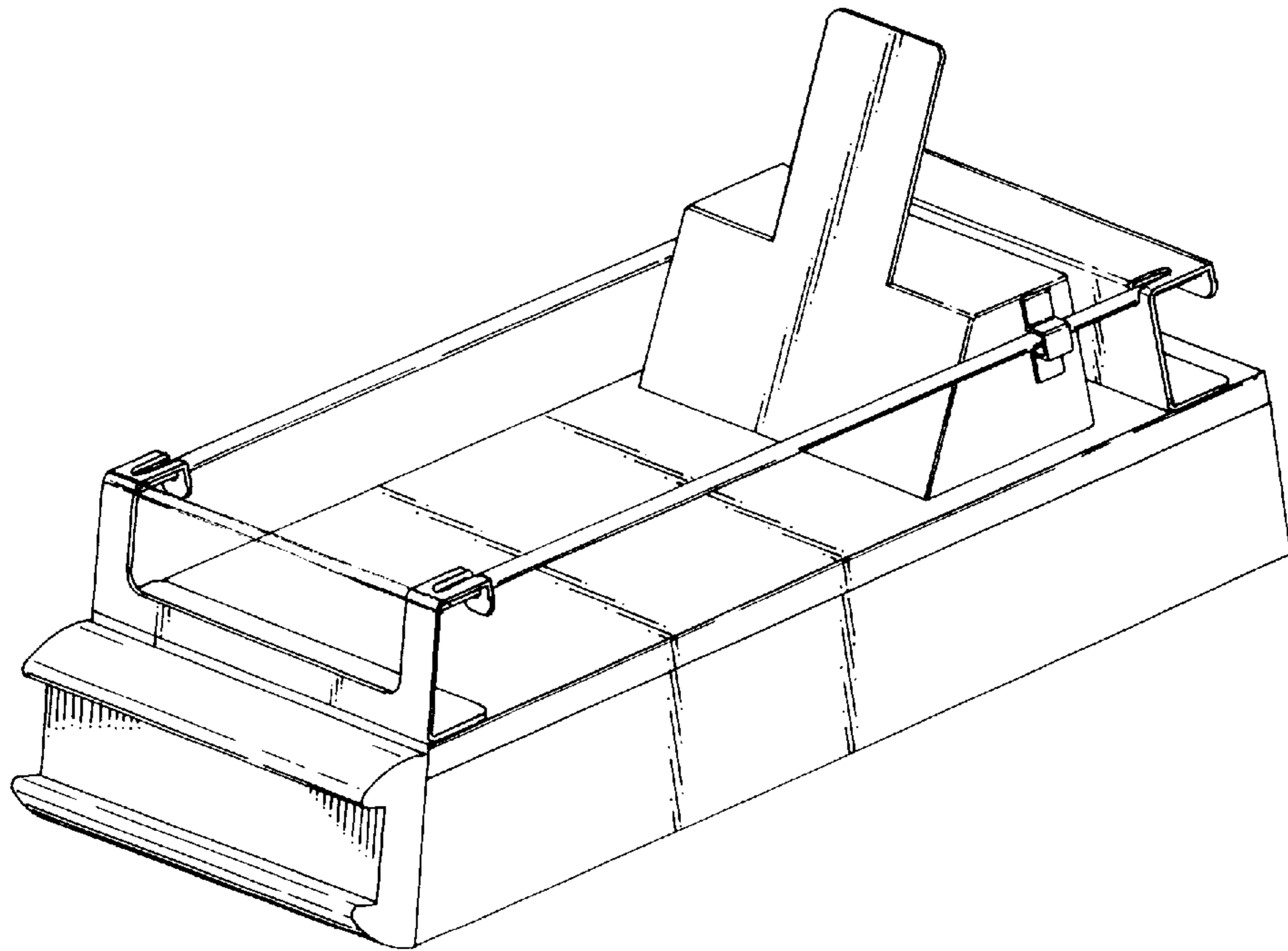


FIG. 8

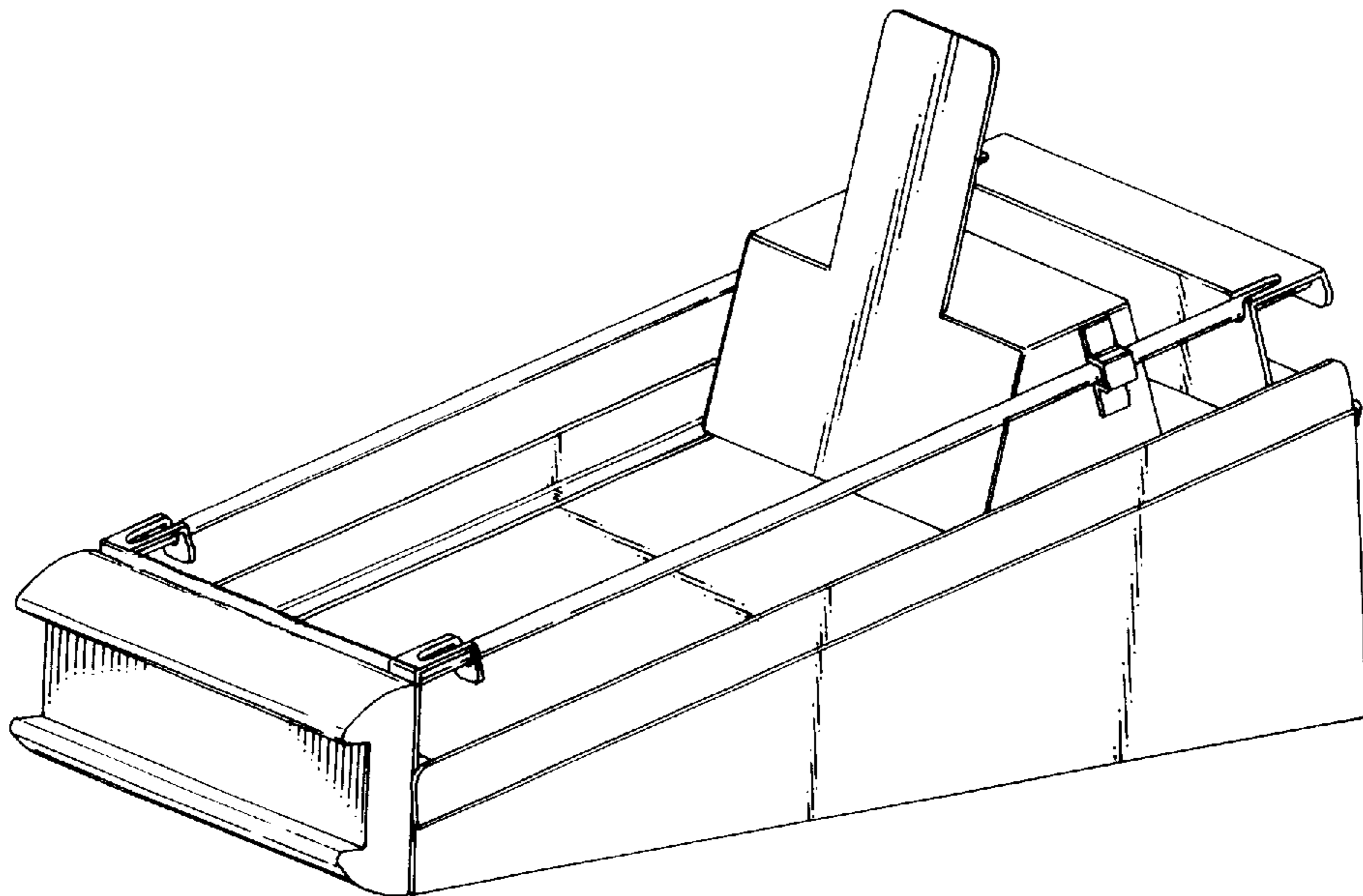


FIG. 9