



US00D402129S

United States Patent [19] Knell

[11] **Patent Number: Des. 402,129**

[45] **Date of Patent: **Dec. 8, 1998**

[54] **PLANT STAND**

[75] Inventor: **Roger D. Knell**, Yorkville, Ill.

[73] Assignee: **Stem Systems Inc.**, Yorkville, Ill.

[**] Term: **14 Years**

[21] Appl. No.: **77,227**

[22] Filed: **Sep. 29, 1997**

[51] **LOC (6) Cl.** **06-06**

[52] **U.S. Cl.** **D6/403; D6/405**

[58] **Field of Search** D6/403-405, 556;
D11/143-156, 164; 47/65.5, 66.6, 67, 83,
39, 40, 41.01, 41.11; 206/423, 557; 248/27.8

[56] **References Cited**

U.S. PATENT DOCUMENTS

D. 225,252	11/1972	Ware	D11/144
D. 307,877	5/1990	White, Jr.	D11/148
D. 324,658	3/1992	Crowley	D11/145
3,664,063	5/1972	Ware	47/39
5,584,141	12/1996	Johnson	47/39 X

OTHER PUBLICATIONS

- Hausermann Catalog 1984 p. 47.
- Stem Systems Inc Instructions 1984.
- Parks Seed Co. Catalog 1984.
- Hausermann Catalog 1994; p. 5.
- Gardeners Supply Co. Catalog 1994 p. 9.

Primary Examiner—Caron D. Veynar
Attorney, Agent, or Firm—Kenneth A. Rhoads

[57] **CLAIM**

The ornamental design of a plant stand, as shown and described.

DESCRIPTION

FIG. 1 is a front elevational view of a plant stand showing my new design;

FIG. 2 is a rear elevational view thereof;

FIG. 3 is a right side elevational view thereof;

FIG. 4 is a left side elevational view thereof;

FIG. 5 is a top plan elevational view thereof;

FIG. 6 is a bottom elevational view thereof;

FIG. 7 is a right side perspective view thereof;

FIG. 8 is a right side elevational view of an alternate embodiment;

FIG. 9 is a top plan elevational view of the alternate embodiment;

FIG. 10 is a bottom elevational view of the alternate embodiment;

FIG. 11 is a left side elevational view of the alternate embodiment;

FIG. 12 is a right side perspective view of the alternate embodiment;

FIG. 13 is a front elevational view of the alternate embodiment; and,

FIG. 14 is a rear elevational view of the alternate embodiment.

The broken line showing of trays in FIGS. 1-6, 8-11, 13 and 14 are for illustrative purposes only and form no part of the claimed design.

1 Claim, 12 Drawing Sheets

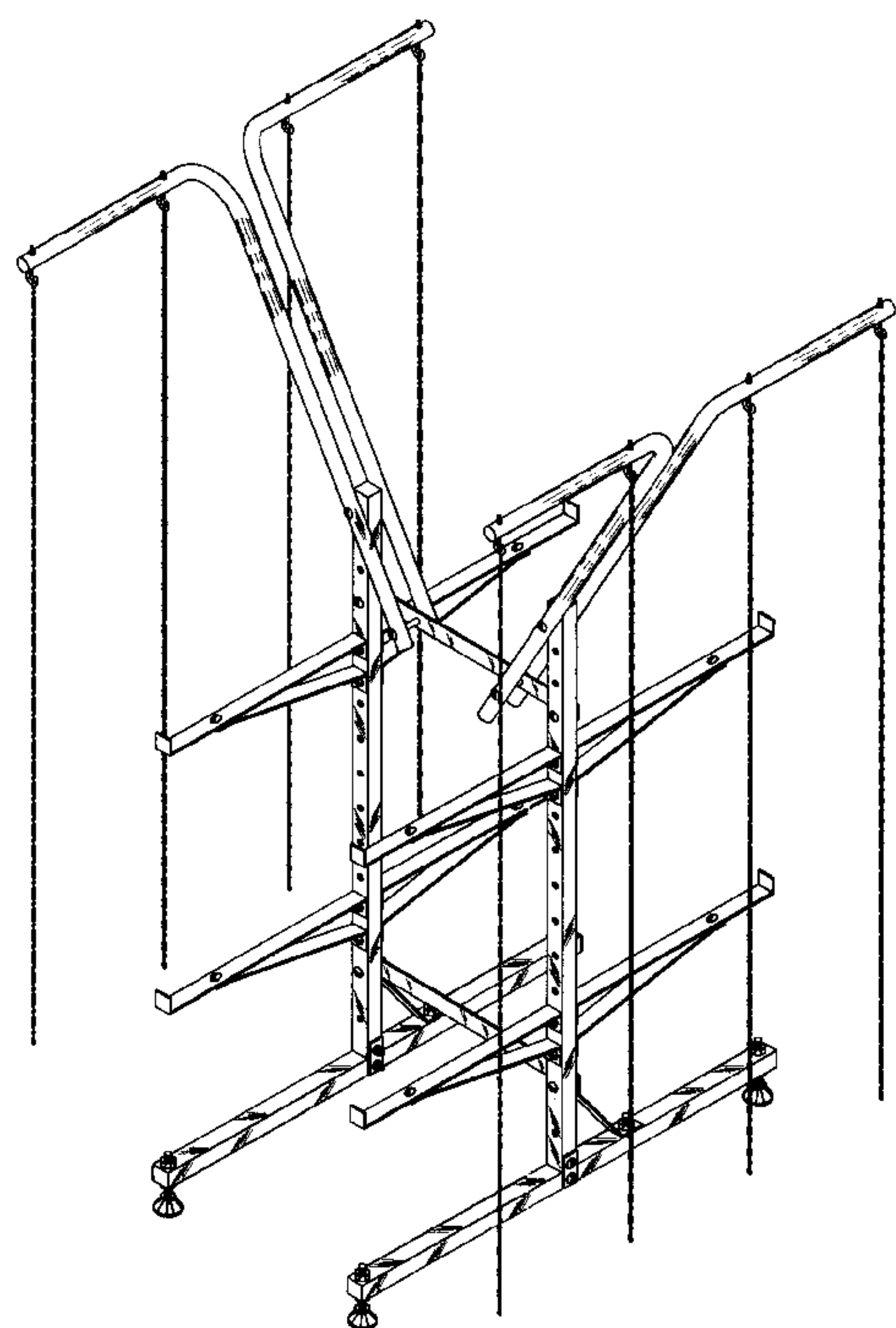
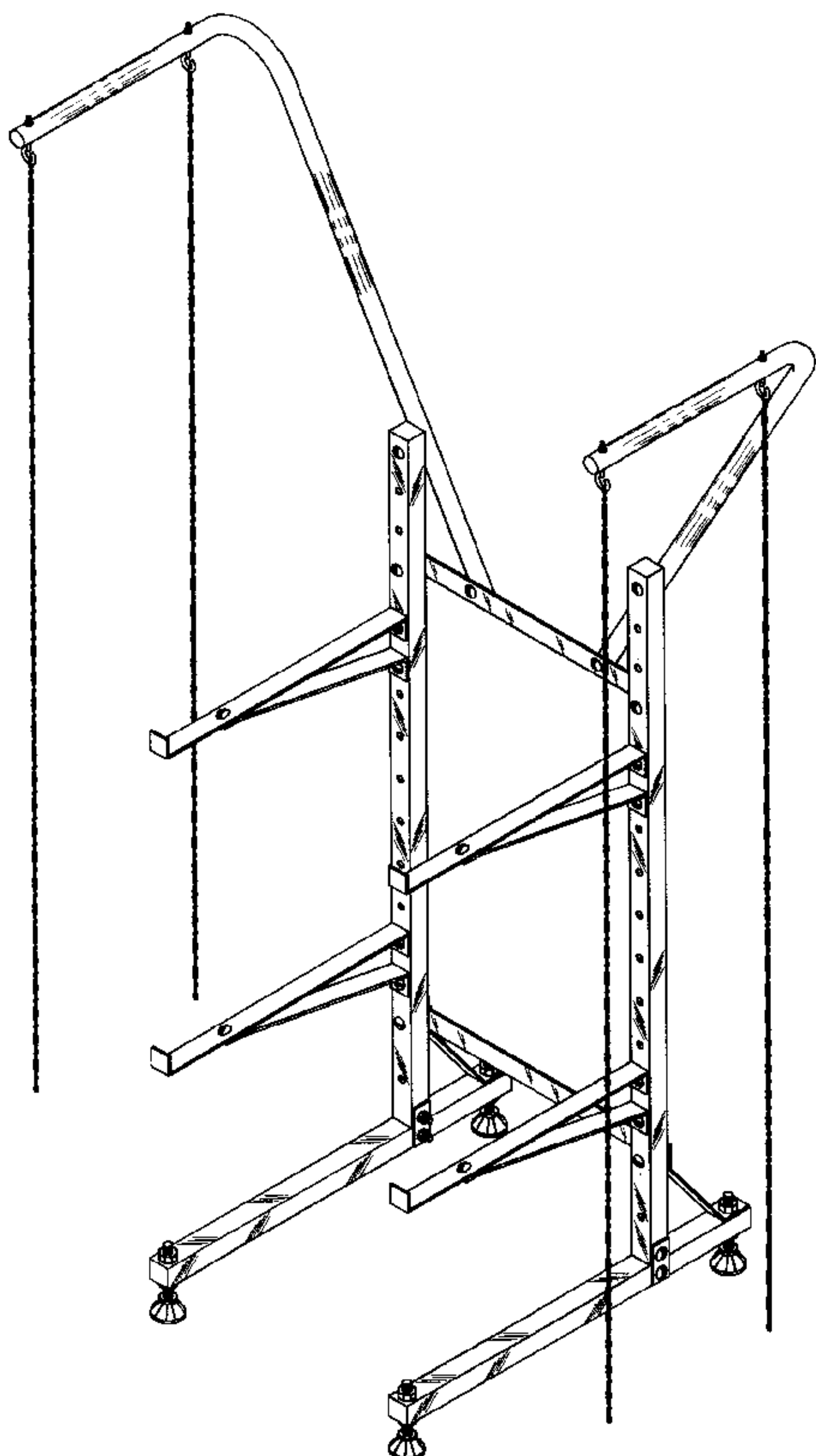


Fig. 1.

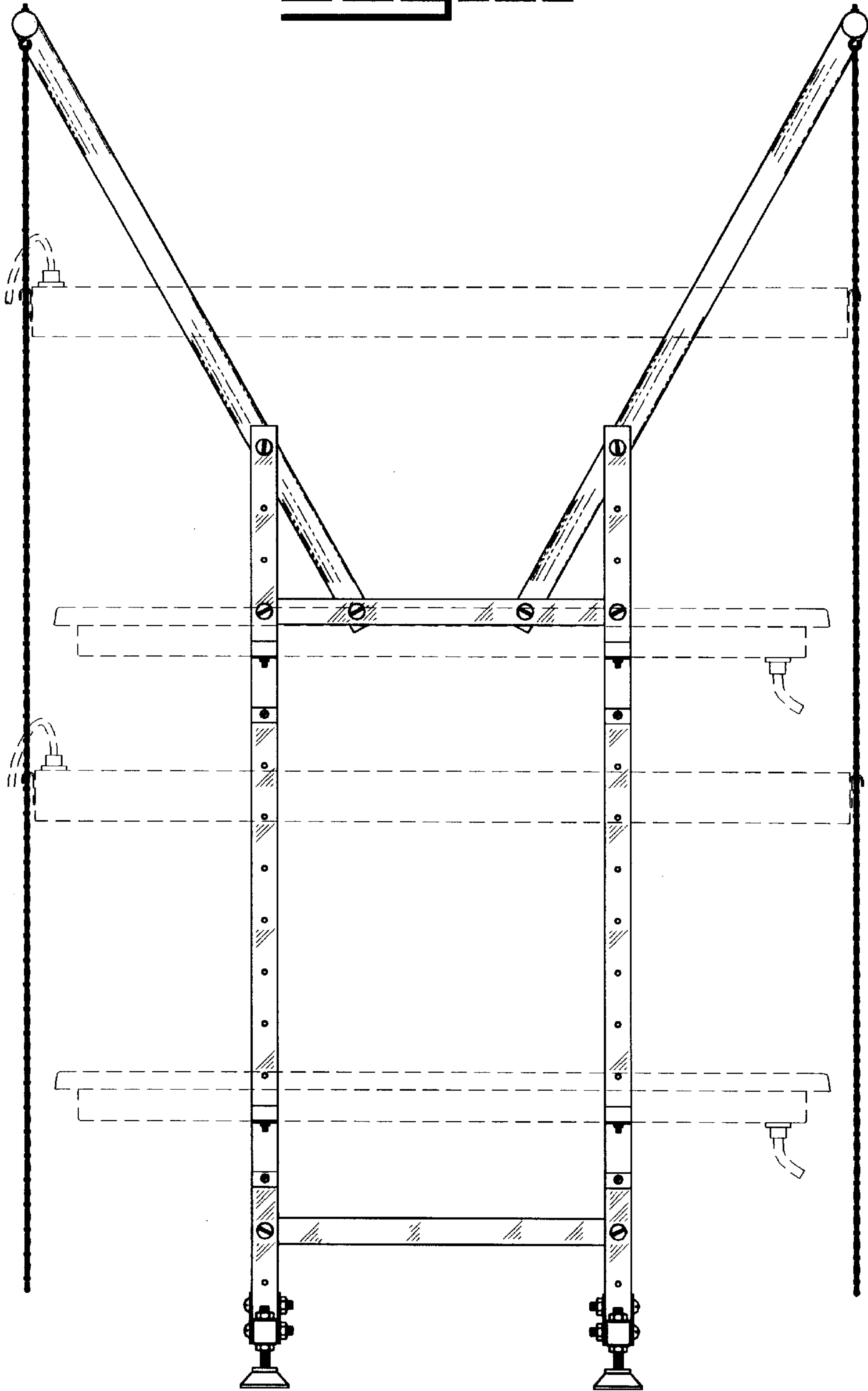


FIG. 2.

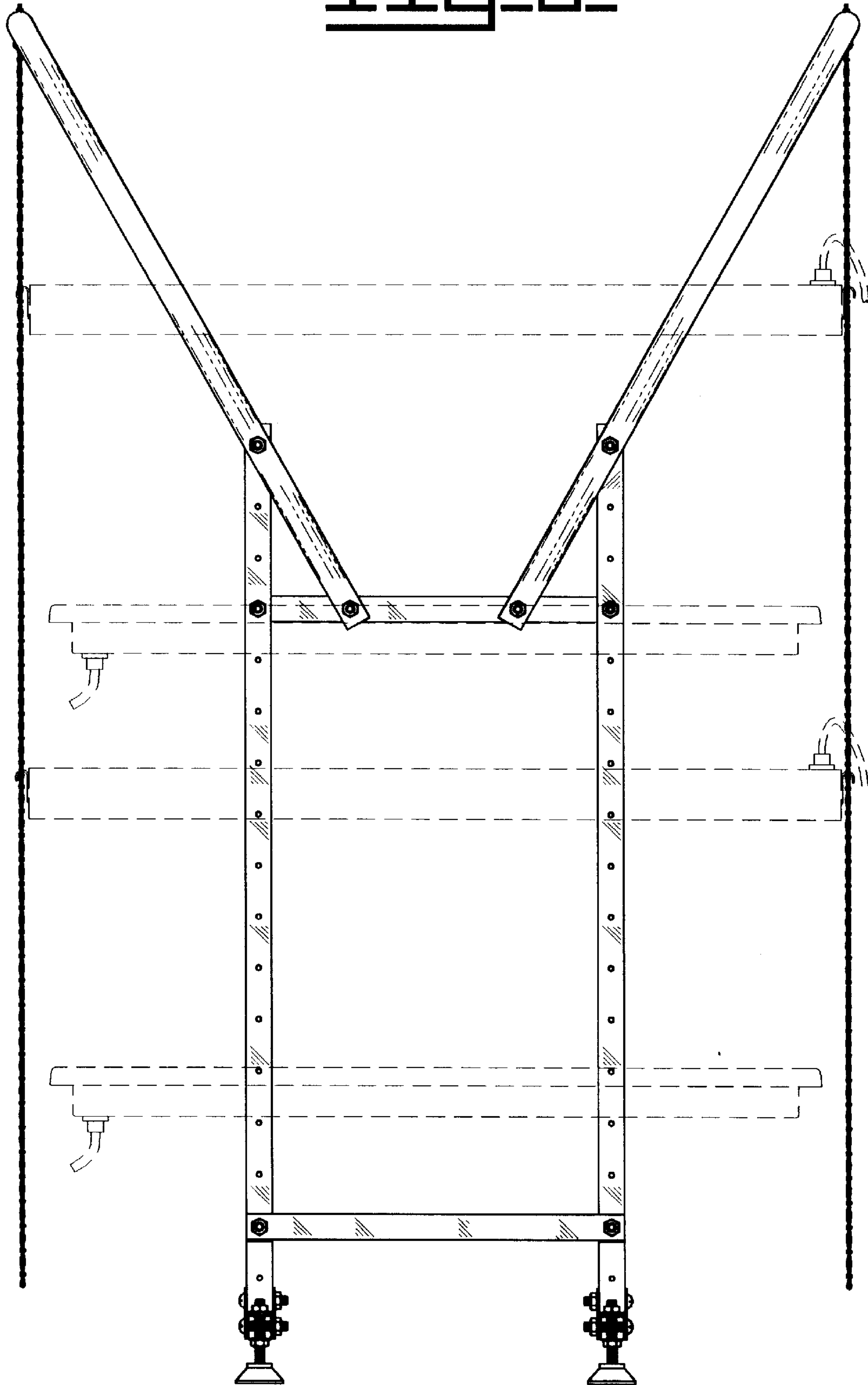


FIG. 3.

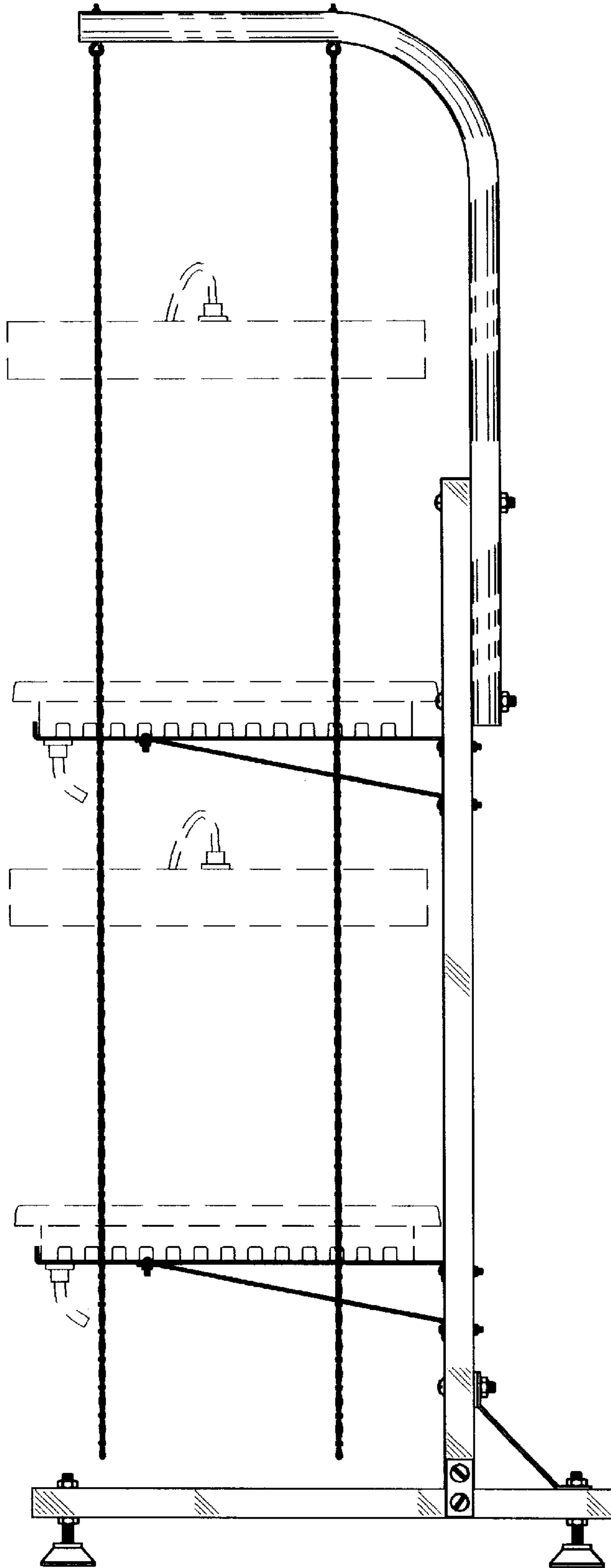


FIG. 4.

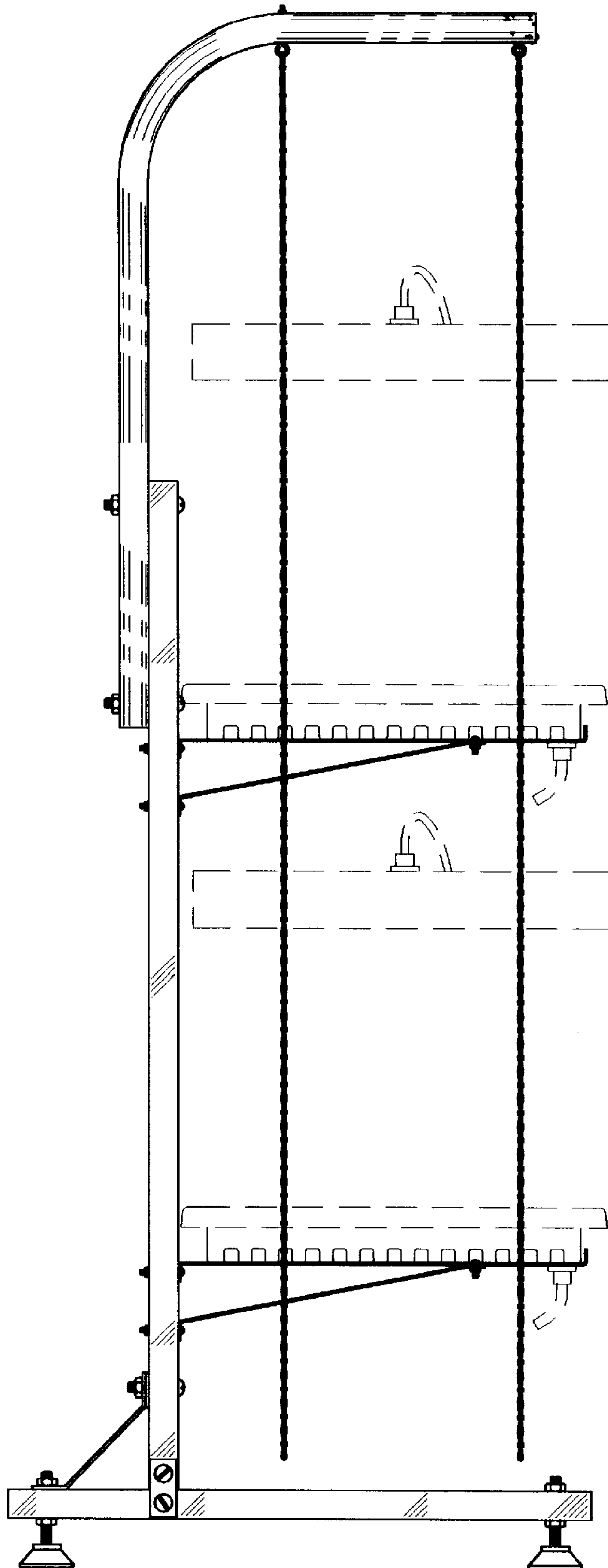


Fig. 5.

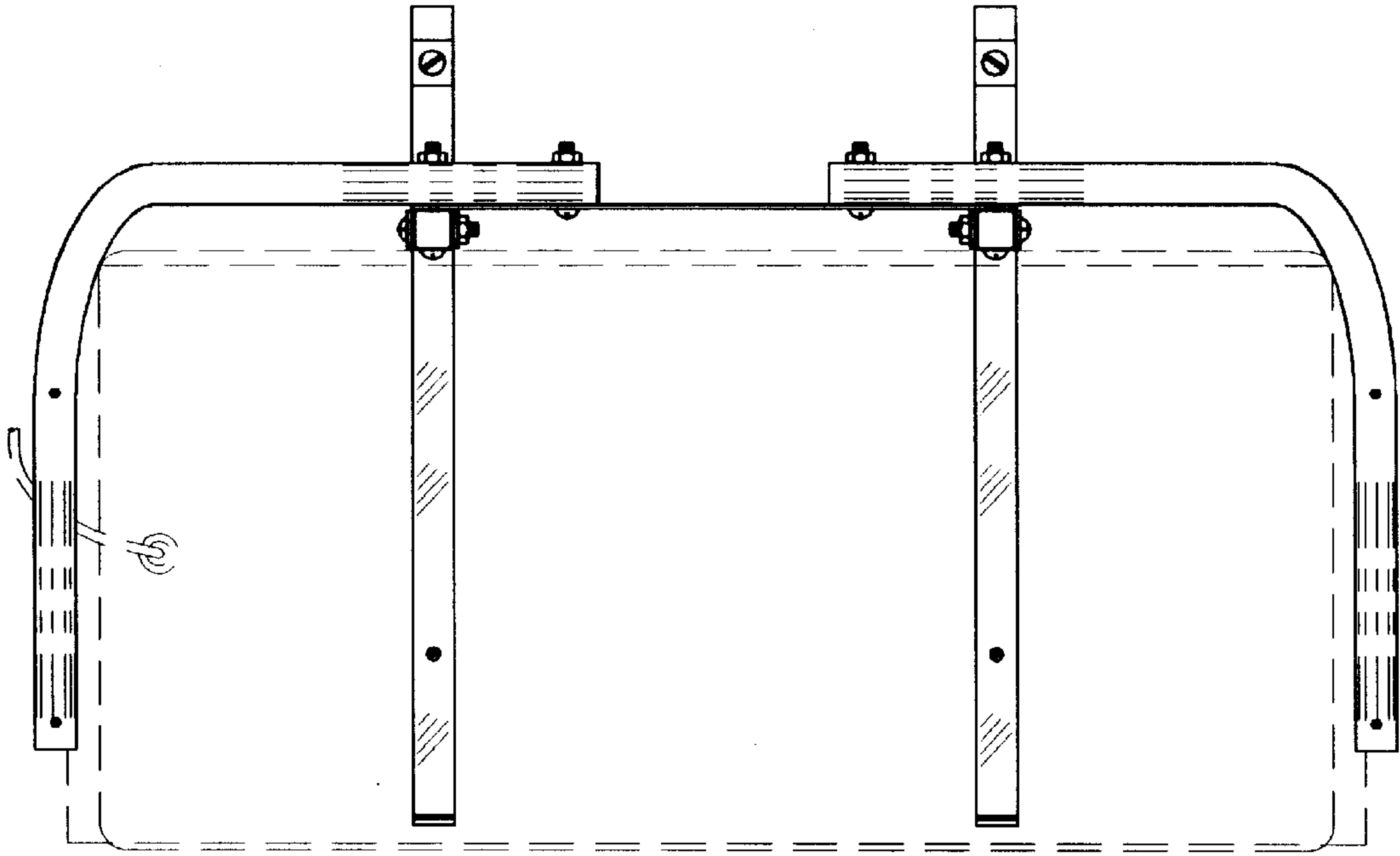


Fig. 6.

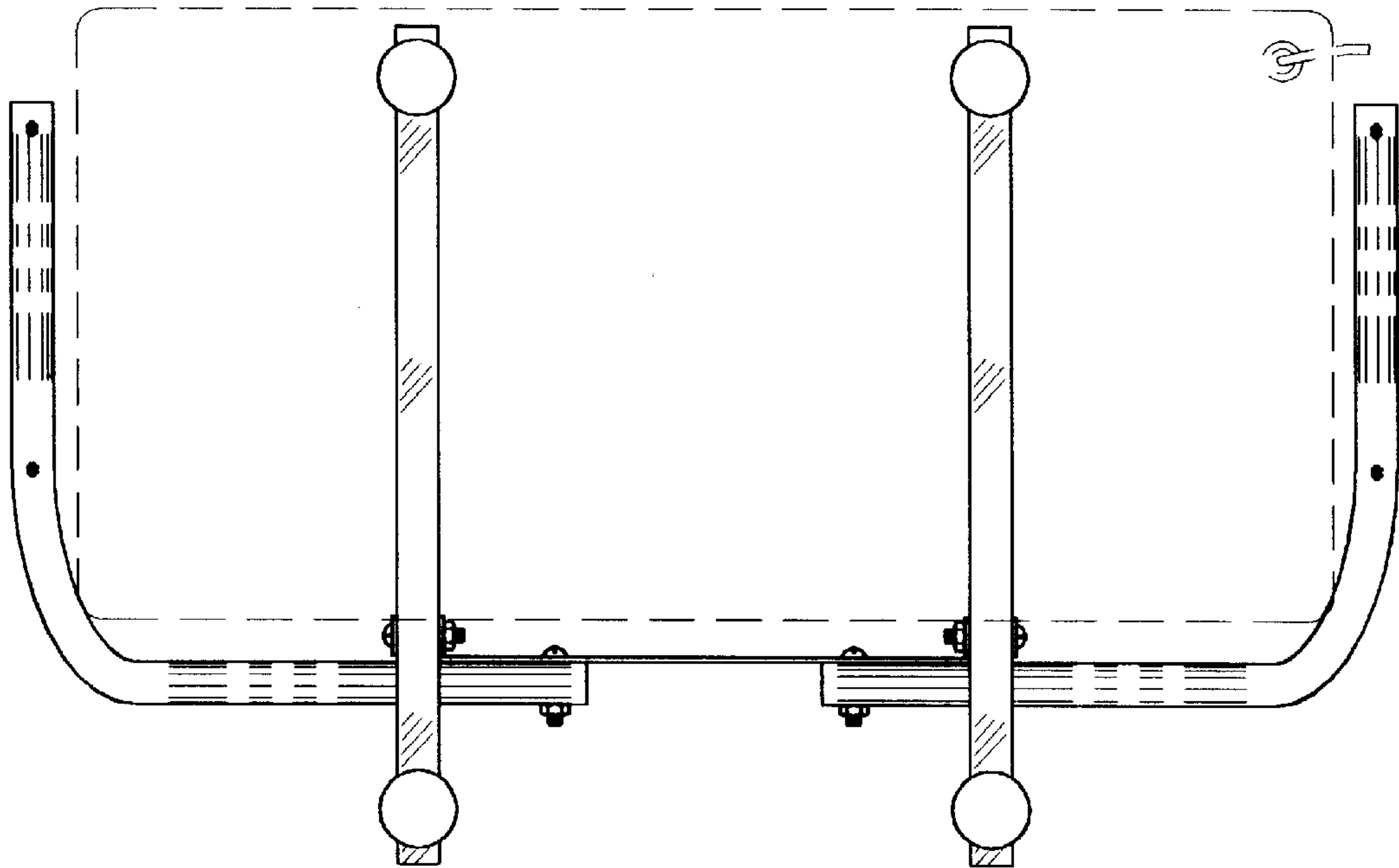


Fig. 7.

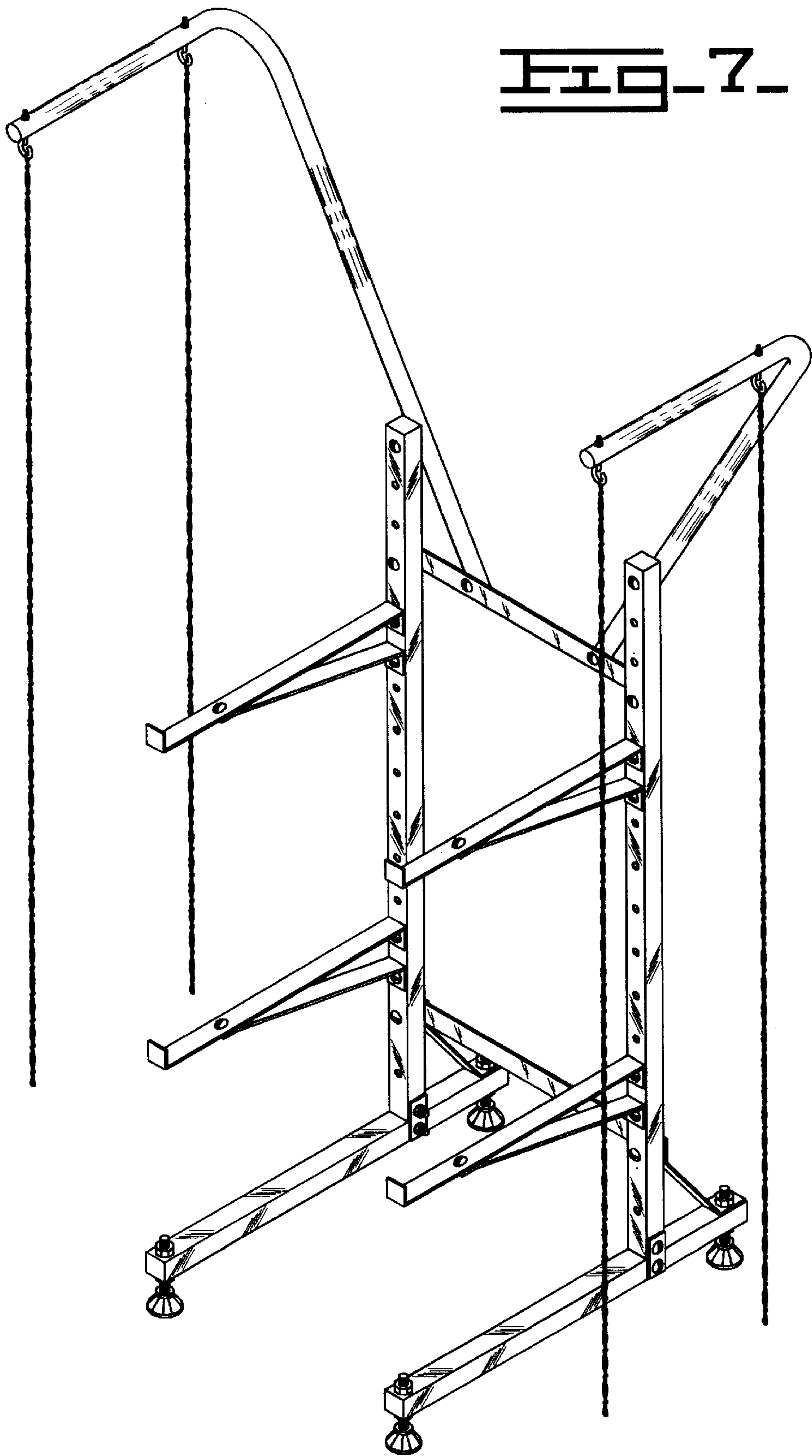


FIG. 8.

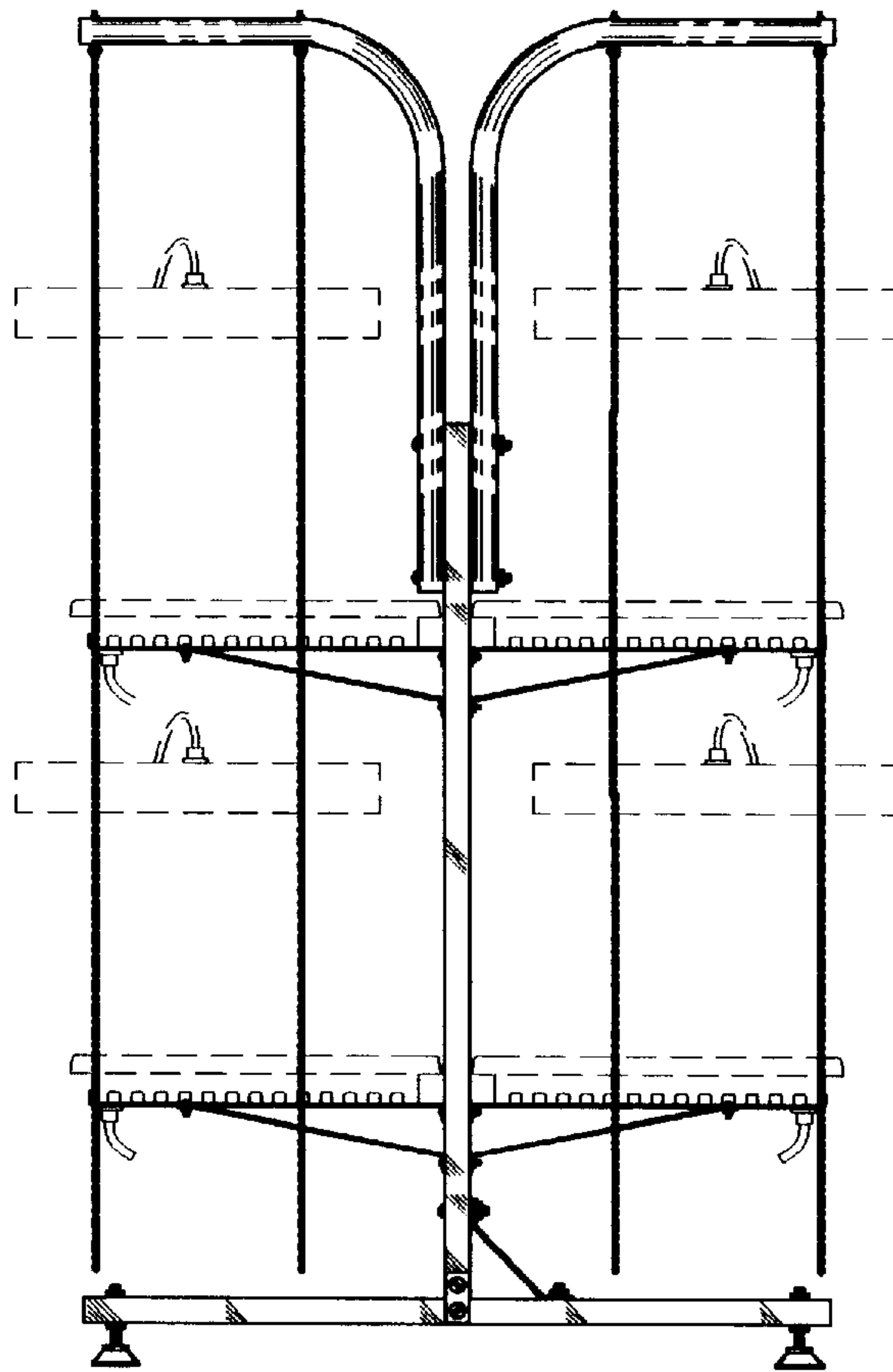


Fig. 9.

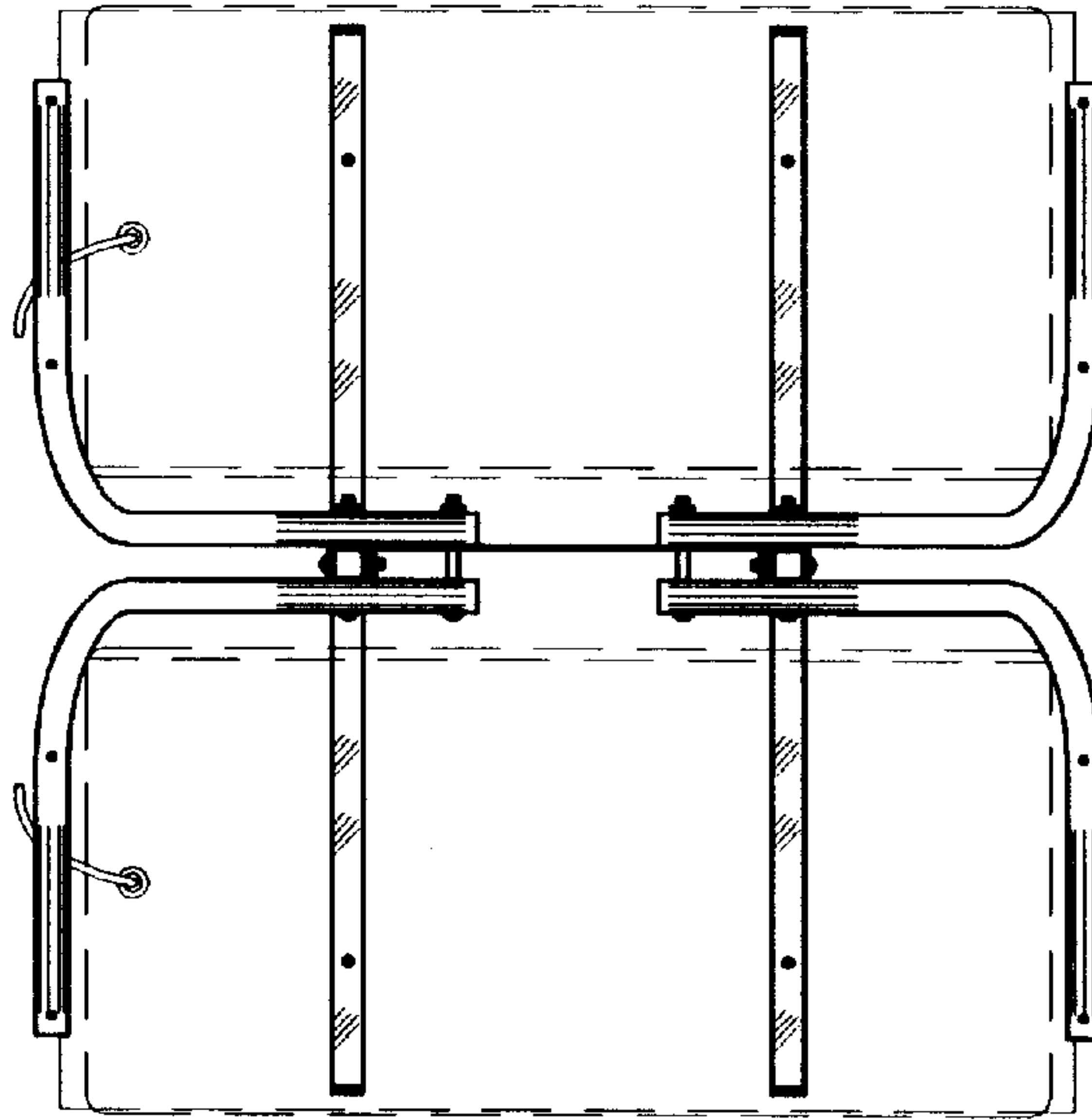


Fig. 10.

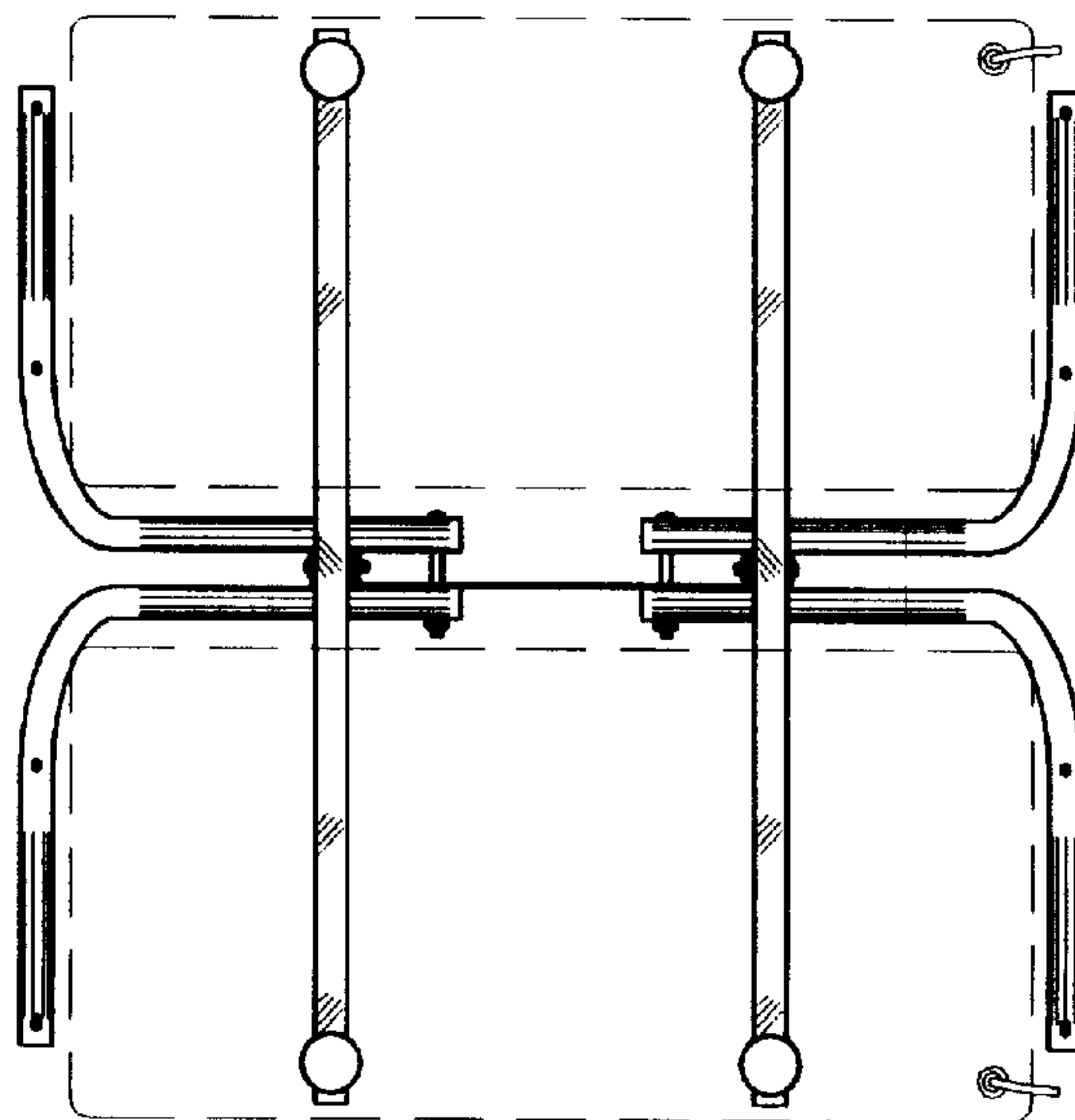


FIG. 11

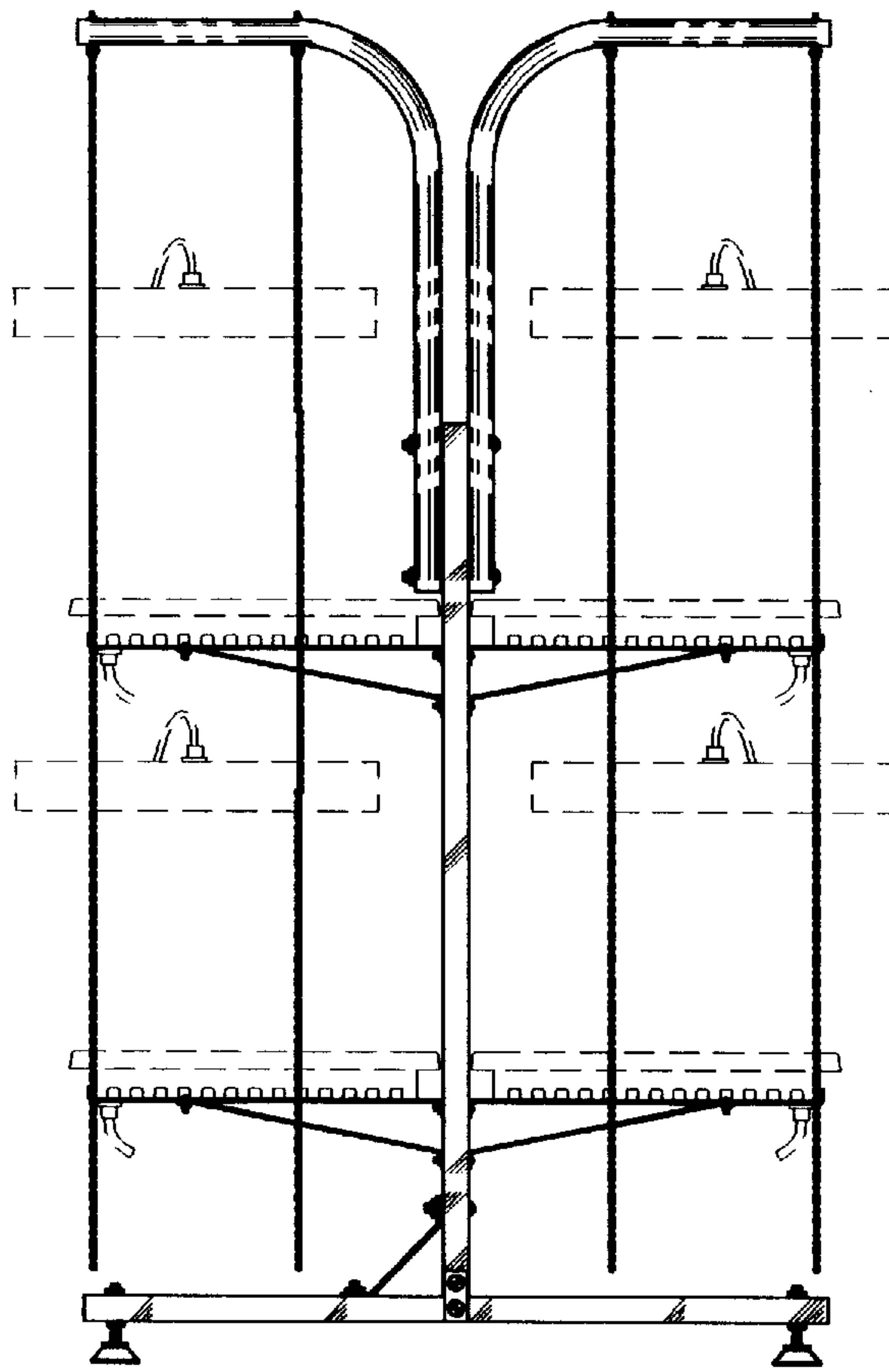


FIG. 12.

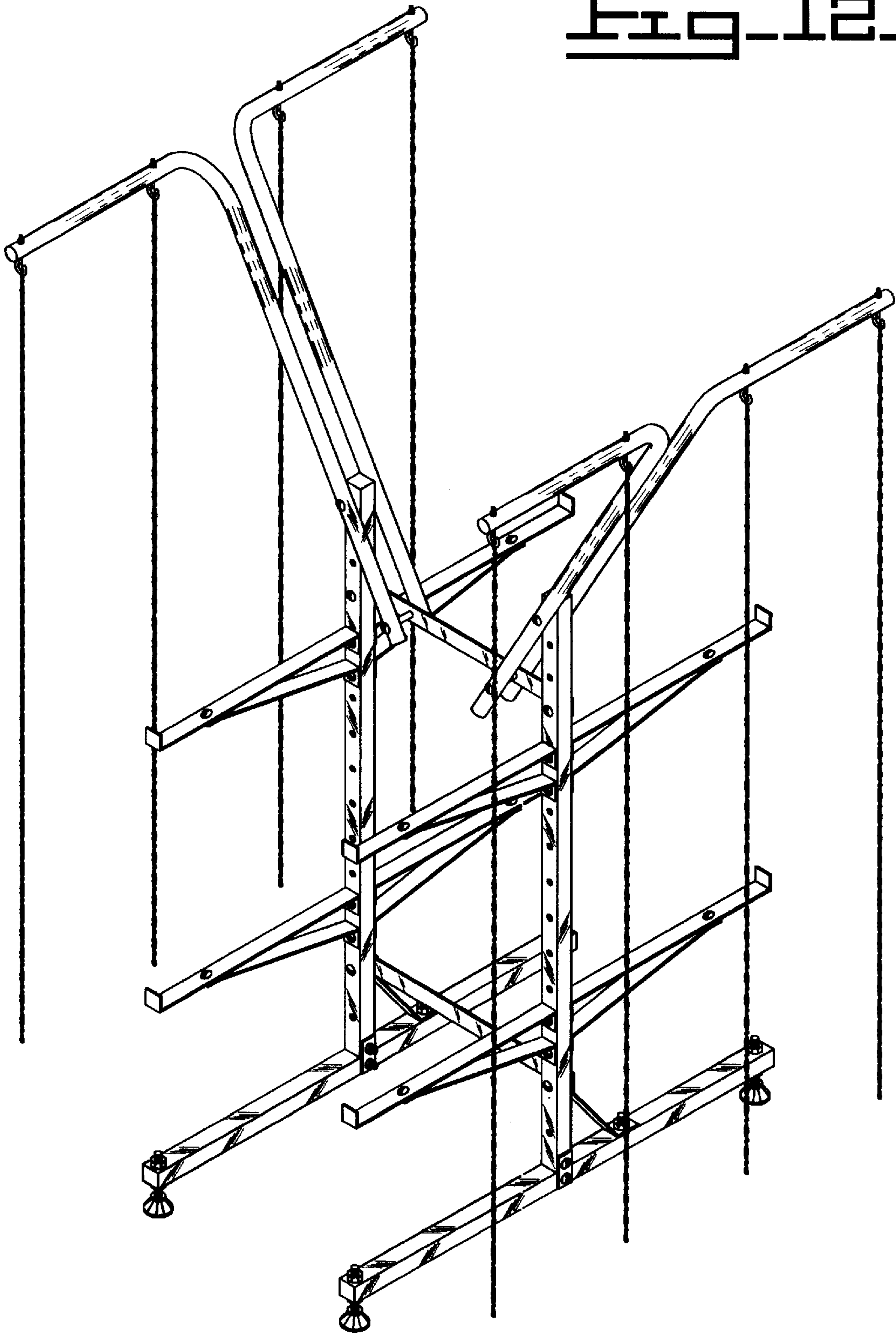


FIG-13

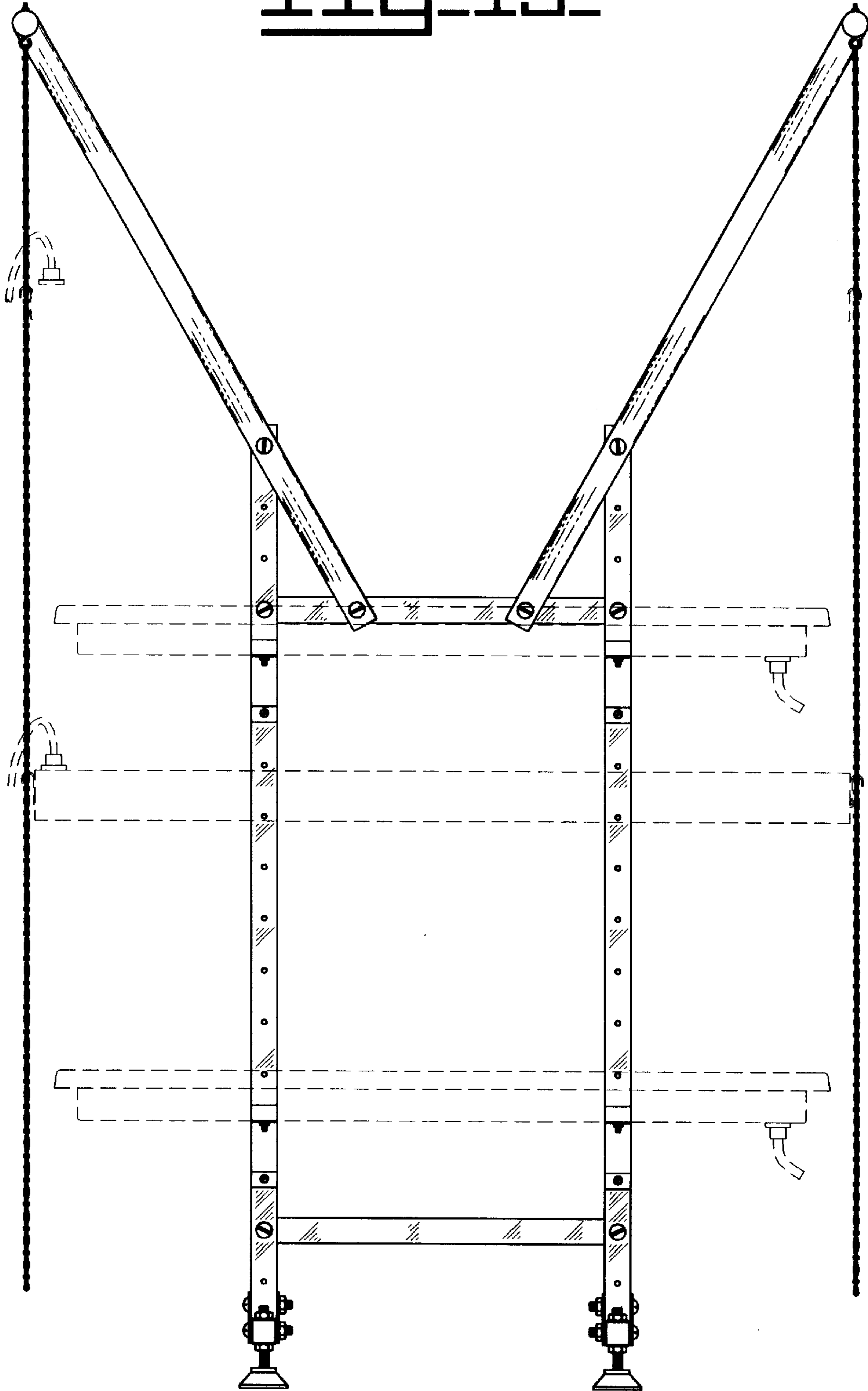


FIG. 14.

