



US00D402127S

United States Patent [19]

Donnelly

[11] Patent Number: Des. 402,127

[45] Date of Patent: **Dec. 8, 1998

[54] SEAT

[76] Inventor: **Brian F. Donnelly**, 1118 Salamanca Ct., Davis, Calif. 95616

[**] Term: **14 Years**

[21] Appl. No.: **58,043**

[22] Filed: **Aug. 7, 1996**

[51] LOC (6) Cl. **06-01**

[52] U.S. Cl. **D6/363; D6/500**

[58] Field of Search D6/334, 335, 363, D6/370, 374, 375, 379, 380, 381, 500, 501, 502; 297/232, 451.2

3,144,272	8/1964	Yadven	297/248
3,336,077	8/1967	Radke et al.	297/193
3,635,521	1/1972	Shivvers	297/125
3,638,997	2/1972	Shapiro et al.	297/232
3,847,433	11/1974	Acton et al.	297/239
4,249,774	2/1981	Andreasson	297/311
4,688,851	8/1987	Whiteford	297/313
4,690,459	9/1987	Ullman	297/458
4,852,944	8/1989	Hartmann	297/445
5,292,177	3/1994	Balderi et al.	297/232
5,306,072	4/1994	Caldwell	297/232
5,309,583	5/1994	White et al.	4/667
5,342,111	8/1994	Charles	297/232
5,375,911	12/1994	Morrow	297/258

FOREIGN PATENT DOCUMENTS

1115421 10/1961 Germany .

OTHER PUBLICATIONS

Carson's Chain Shown.
Patient Chairs, Health Chair, model Nos. 1376, 1377, 1378,
Thonet advertising brochure.

Primary Examiner—Gary D. Watson
Attorney, Agent, or Firm—Burns, Doane, Swecker &
Mathis, L.L.P.; Earl A. Bright, II

[57] CLAIM

The ornamental design for a seat, as shown and described.

DESCRIPTION

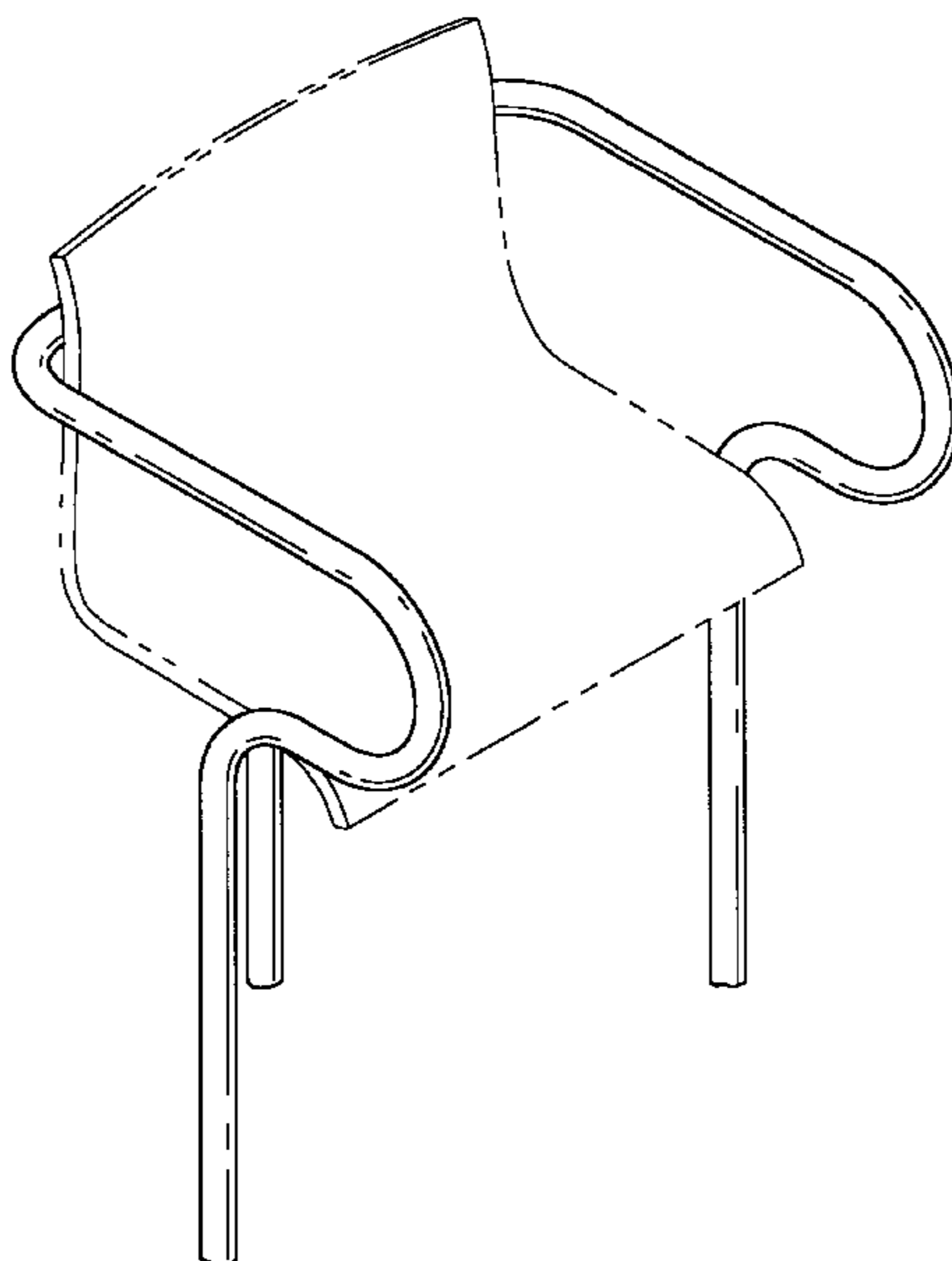
FIG. 1 is a perspective view as seen from the front and upper left of a first embodiment of a seat showing my new design; FIG. 2 is a front elevational view thereof; FIG. 3 is a left side elevational view thereof, the right side is symmetrical; FIG. 4 is a top plan view thereof; and, FIG. 5 is a rear elevational view thereof. The broken line showing of a seat member in FIGS. 1 through 5 is for environmental purposes only and forms no part of the claimed design.

1 Claim, 3 Drawing Sheets

[56] References Cited

U.S. PATENT DOCUMENTS

D. 9,887	3/1877	Goodwin .	
D. 40,613	4/1910	Waters, Jr. .	
D. 132,165	4/1942	Burke	D6/334
D. 132,174	4/1942	Burke	D6/334
D. 155,013	8/1949	Kipp	D6/379
D. 165,952	2/1952	Weatherly	D6/375
D. 180,134	4/1957	Calder	D15/1
D. 187,919	5/1960	Barecki	D6/375
D. 188,895	9/1960	Joines	D15/1
D. 193,506	9/1962	Smith et al.	D15/1
D. 214,164	5/1969	Sickler	D6/379
D. 223,025	2/1972	Barecki et al.	D6/2
D. 238,222	12/1975	Eberle	D6/1
D. 248,799	8/1978	Adams	D6/9
D. 279,332	6/1985	Diffrient	D6/379
D. 289,347	4/1987	Halme	D6/370
D. 294,782	3/1988	Balderi	D6/373
D. 311,824	11/1990	Schwartz et al.	D6/370
D. 342,618	12/1993	Tseng	D6/370
D. 366,773	2/1996	Yurk	D6/369
D. 366,775	2/1996	Kane	D6/370
D. 378,965	4/1997	Yurk	D6/500
1,170,669	2/1916	Ridgely .	
1,351,995	9/1920	Cornish .	
2,834,404	5/1958	Groome	155/194



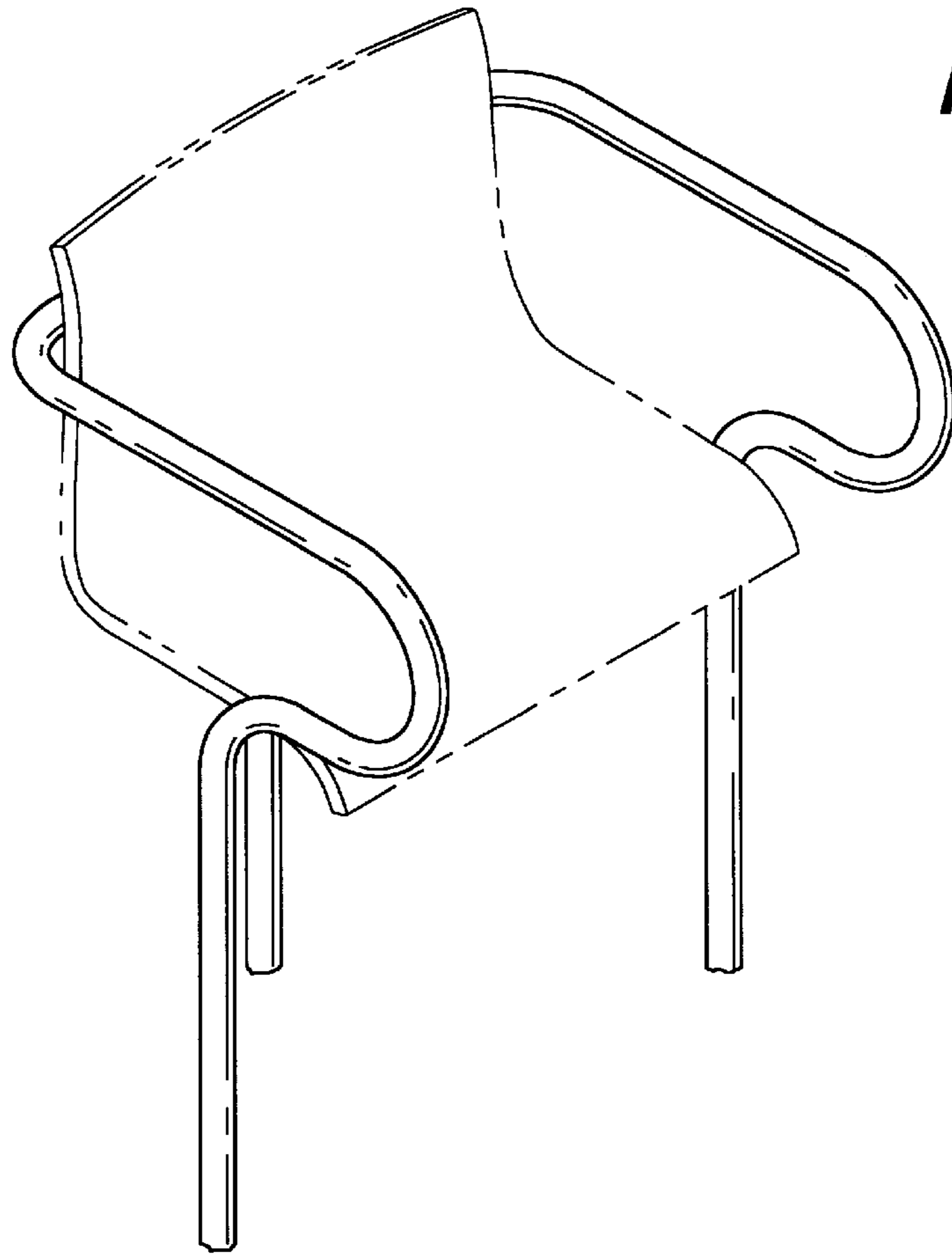


FIG. 1

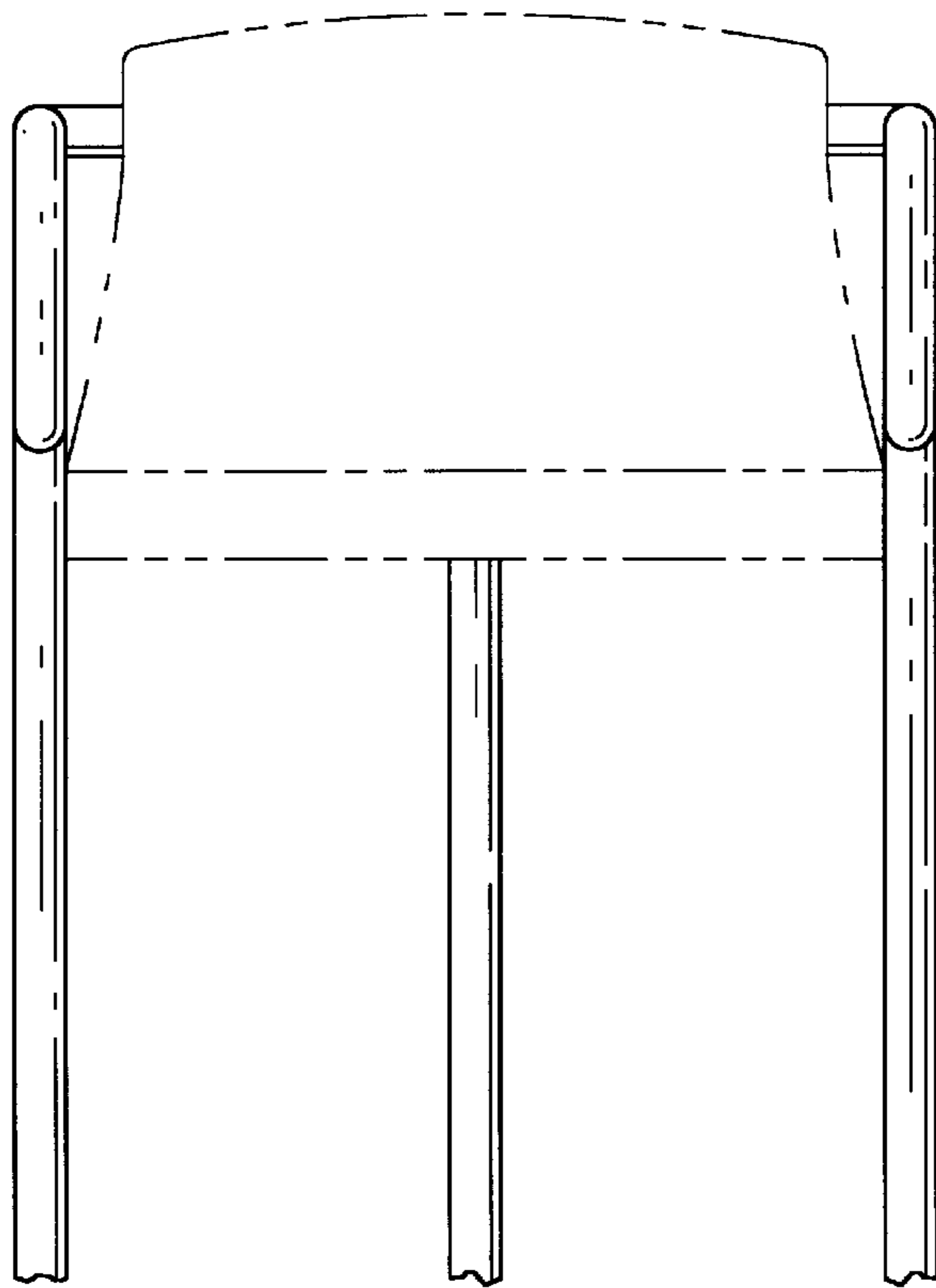


FIG. 2

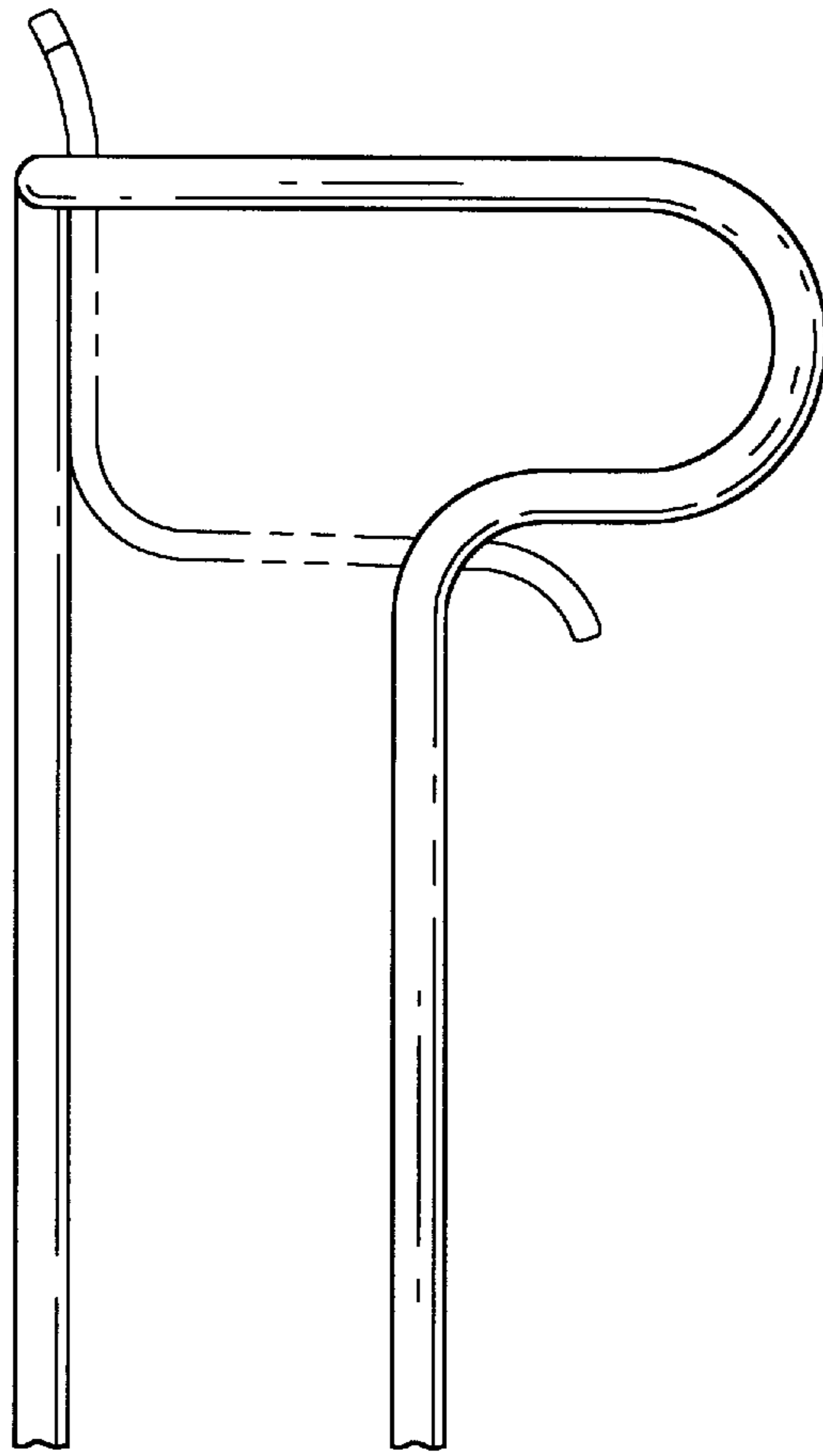


FIG. 3

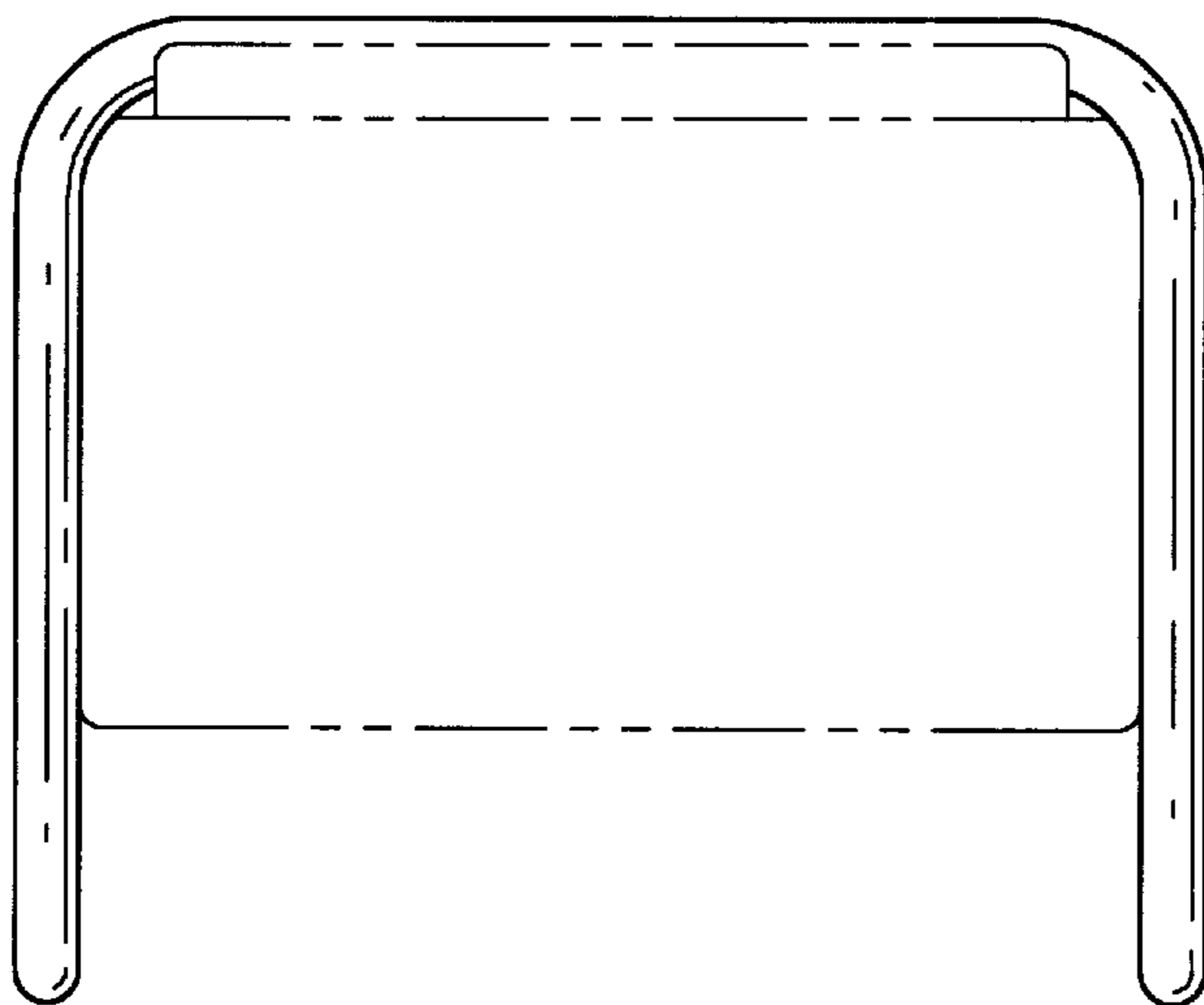


FIG. 4

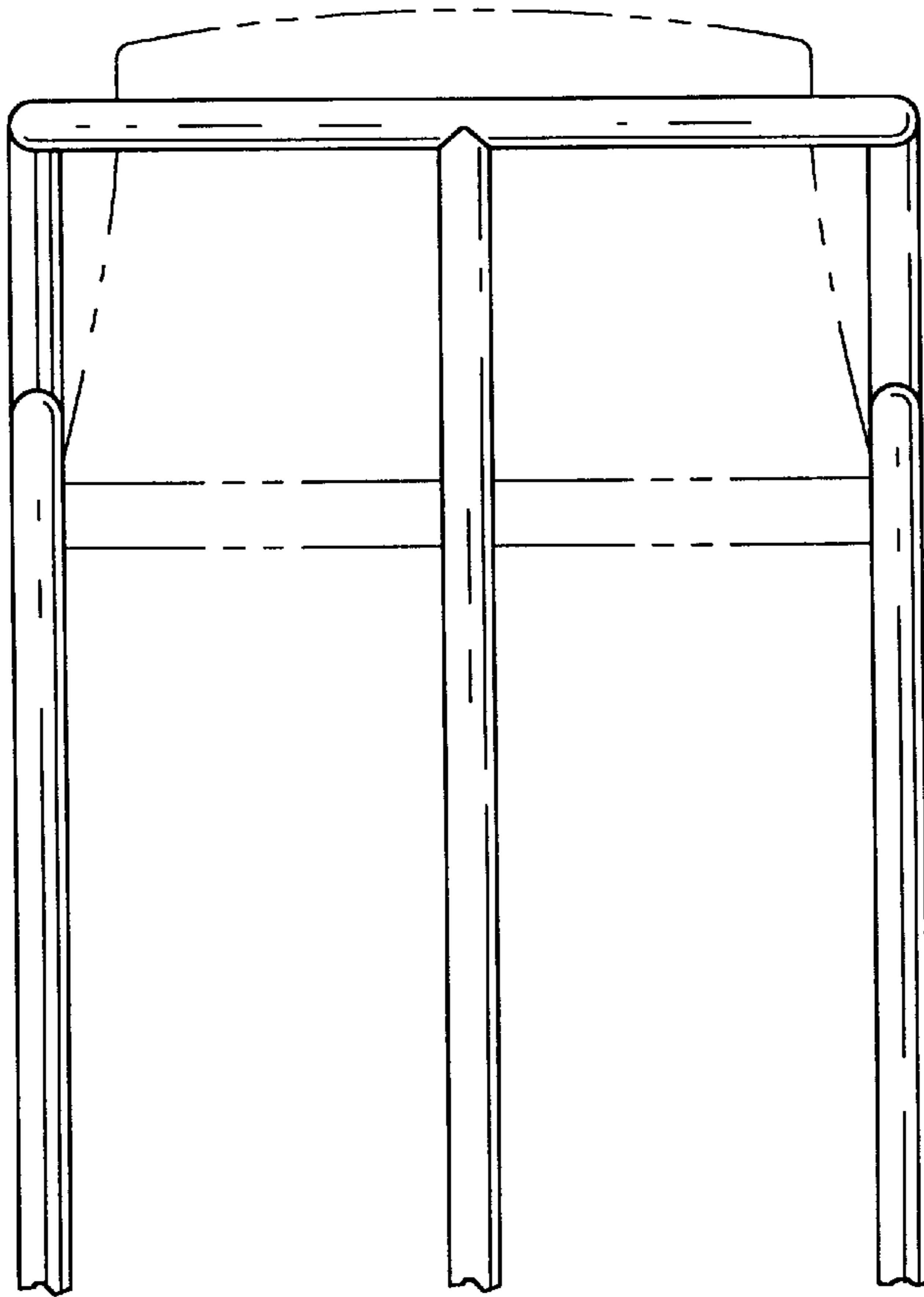


FIG. 5