



US00D402126S

United States Patent [19]
Silva

[11] **Patent Number: Des. 402,126**

[45] **Date of Patent: **Dec. 8, 1998**

[54] **BAR STOOL**

D. 357,592 4/1995 Kellen D6/360

[75] Inventor: **Don Silva**, Emeryville, Calif.

OTHER PUBLICATIONS

[73] Assignee: **National Upholstering Company**,
Oakland, Calif.

Lowenstein Catalist 14, p. 27, Bar Stool #890B at bottom right, Jun. 1, 1985.

[**] Term: **14 Years**

Primary Examiner—Gary D. Watson
Attorney, Agent, or Firm—Thomas R. Lampe

[21] Appl. No.: **78,829**

[57] **CLAIM**

[22] Filed: **Nov. 4, 1997**

The ornamental design for a bar stool, as shown and described.

[51] **LOC (6) Cl.** **06-01**

DESCRIPTION

[52] **U.S. Cl.** **D6/360**

[58] **Field of Search** D6/334, 360, 374,
D6/379, 500, 501, 502; 297/423.21, 446.1

FIG. 1 is a perspective view of a bar stool showing my design;

[56] **References Cited**

FIG. 2 is a front elevation view thereof;

U.S. PATENT DOCUMENTS

FIG. 3 is a right elevation side view thereof, the left elevation side view being a mirror image;

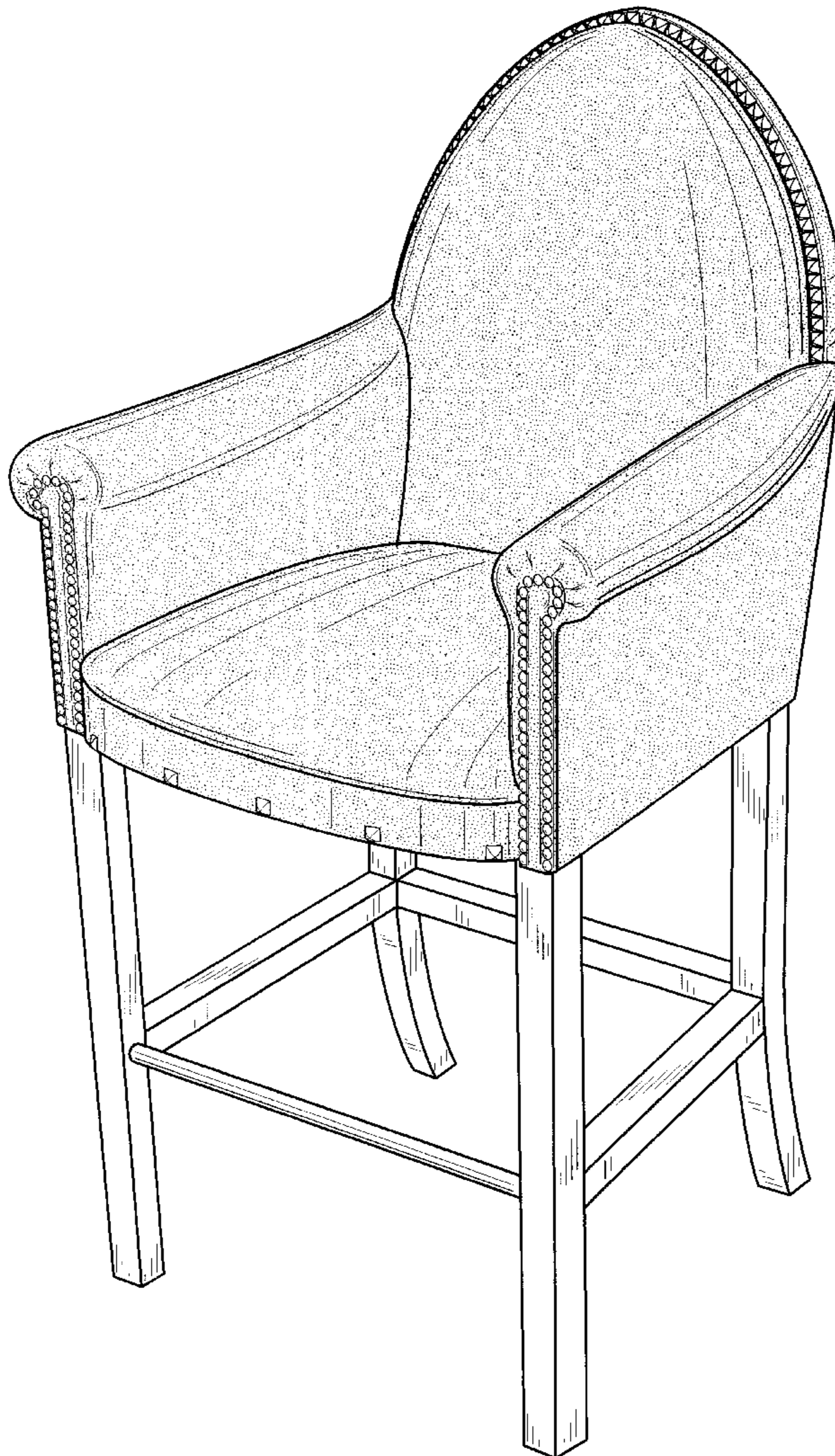
D. 196,576	10/1963	Ritts	D6/334
D. 254,945	5/1980	Worrell	D6/334
D. 287,197	12/1986	Zakharov	D6/360
D. 293,743	1/1988	Hoyt	D6/360
D. 313,514	1/1991	Zakharov	D6/360

FIG. 4 is a back elevation view thereof;

FIG. 5 is a top plan view thereof; and,

FIG. 6 is a bottom plan view thereof.

1 Claim, 6 Drawing Sheets



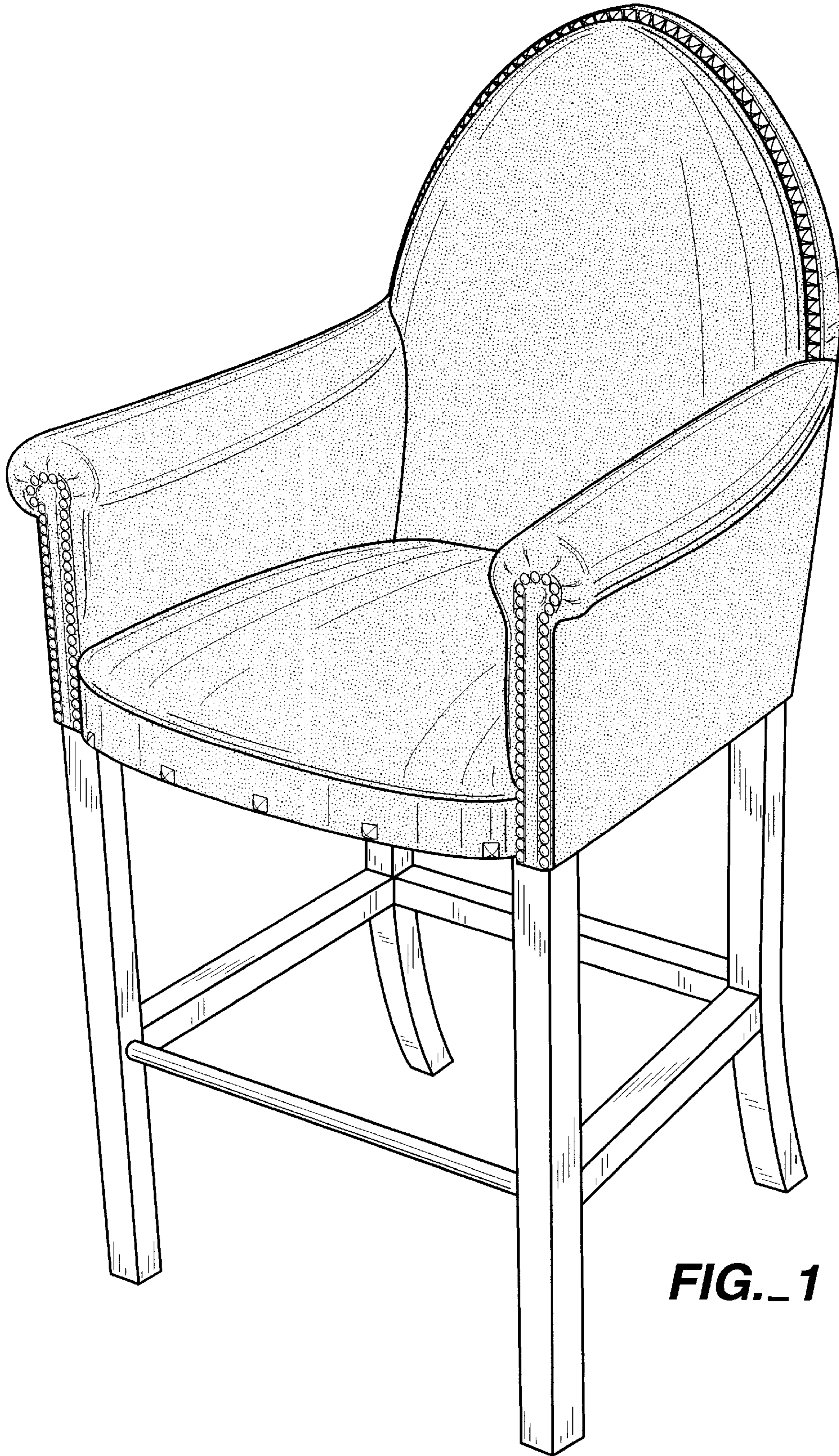


FIG. 1

FIG. 2

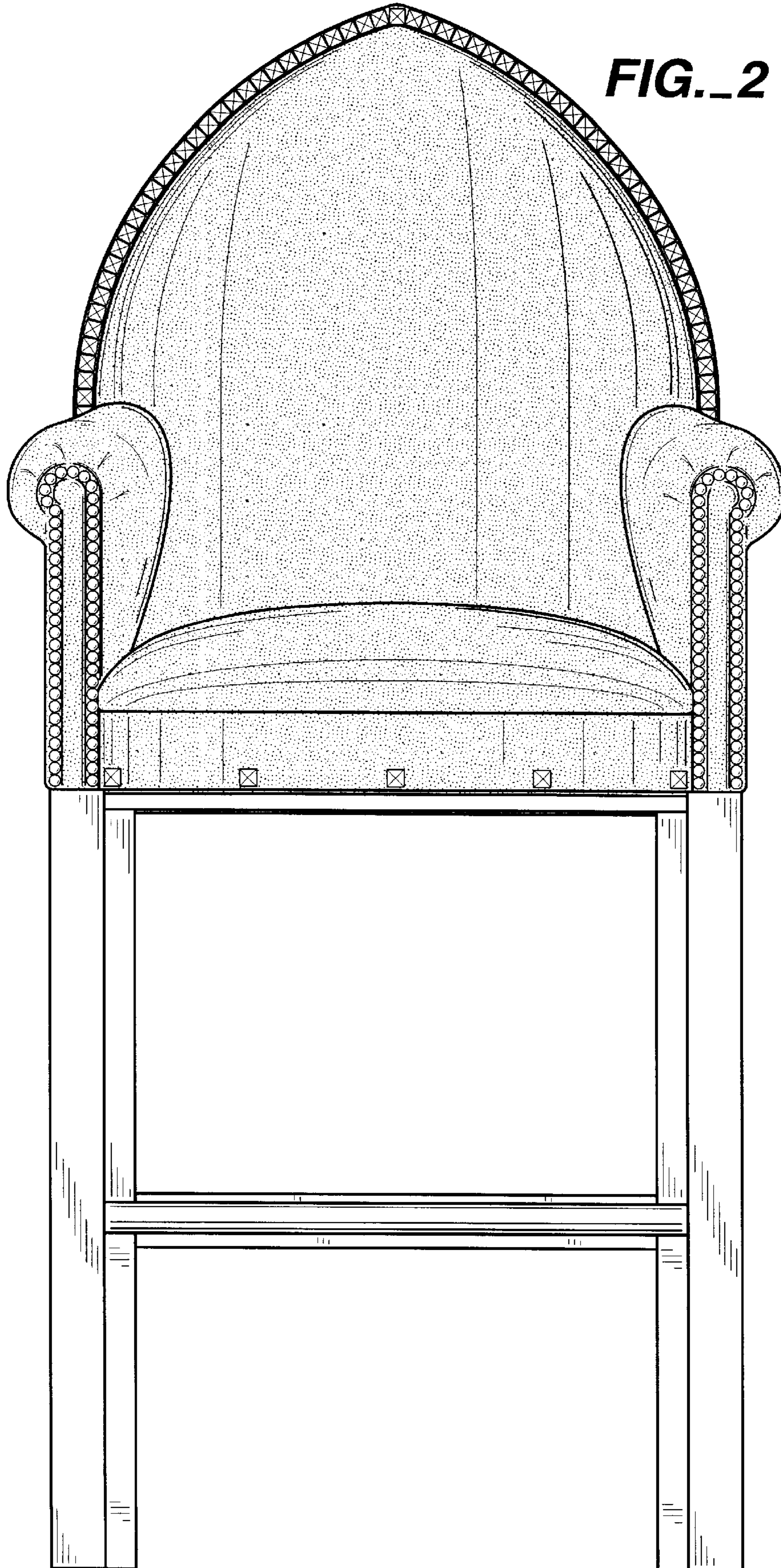


FIG. 3

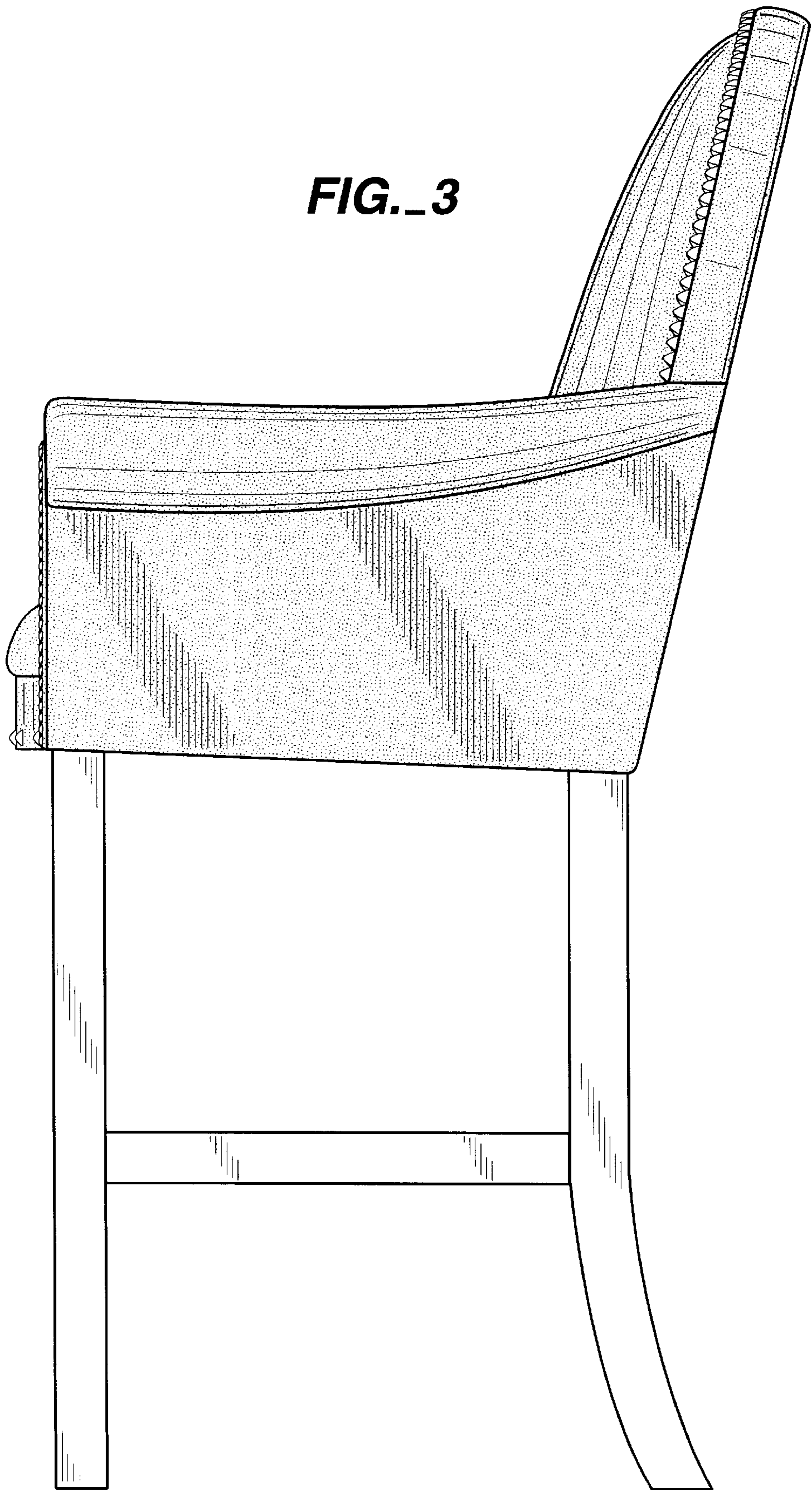
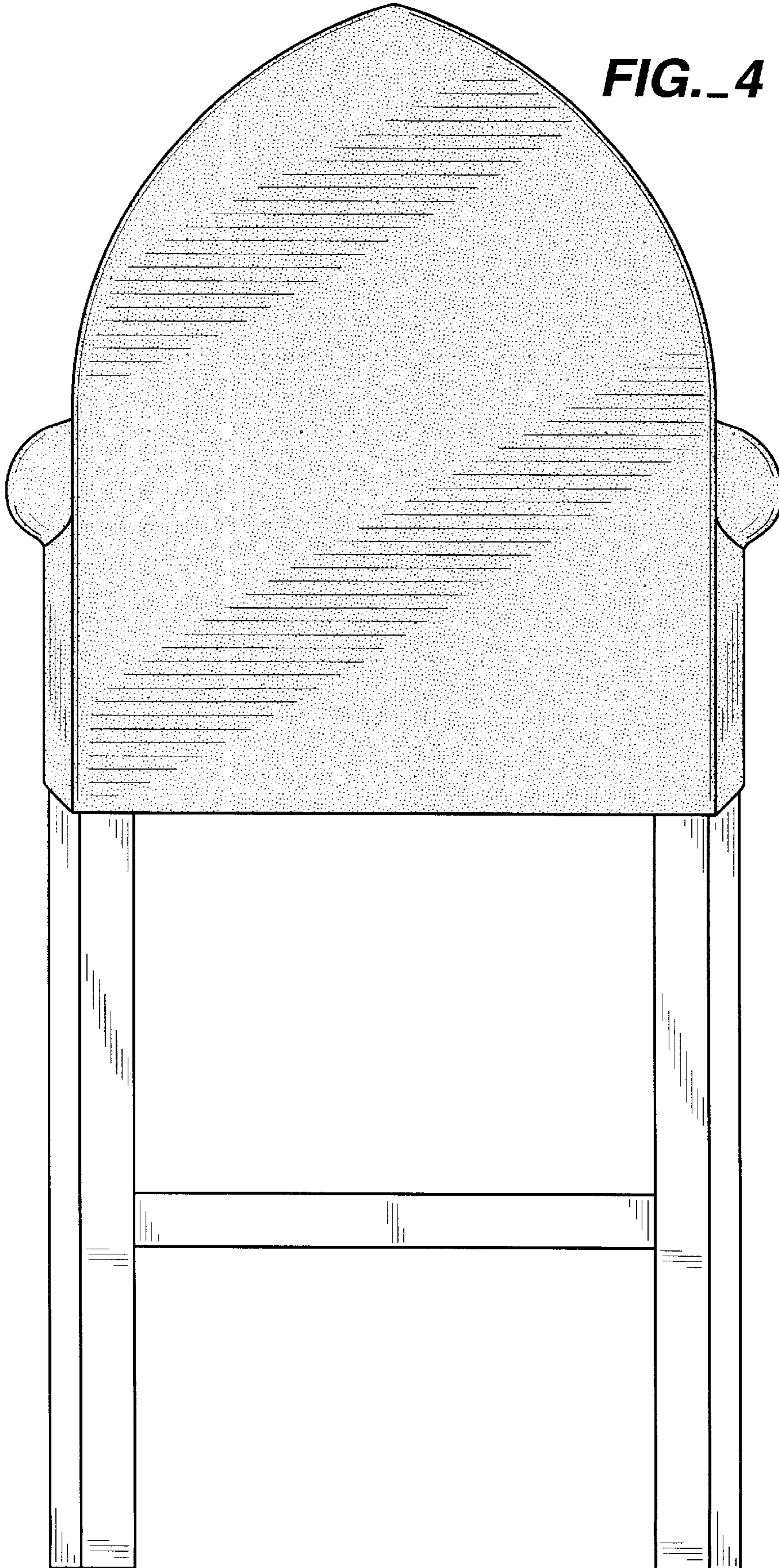


FIG. 4



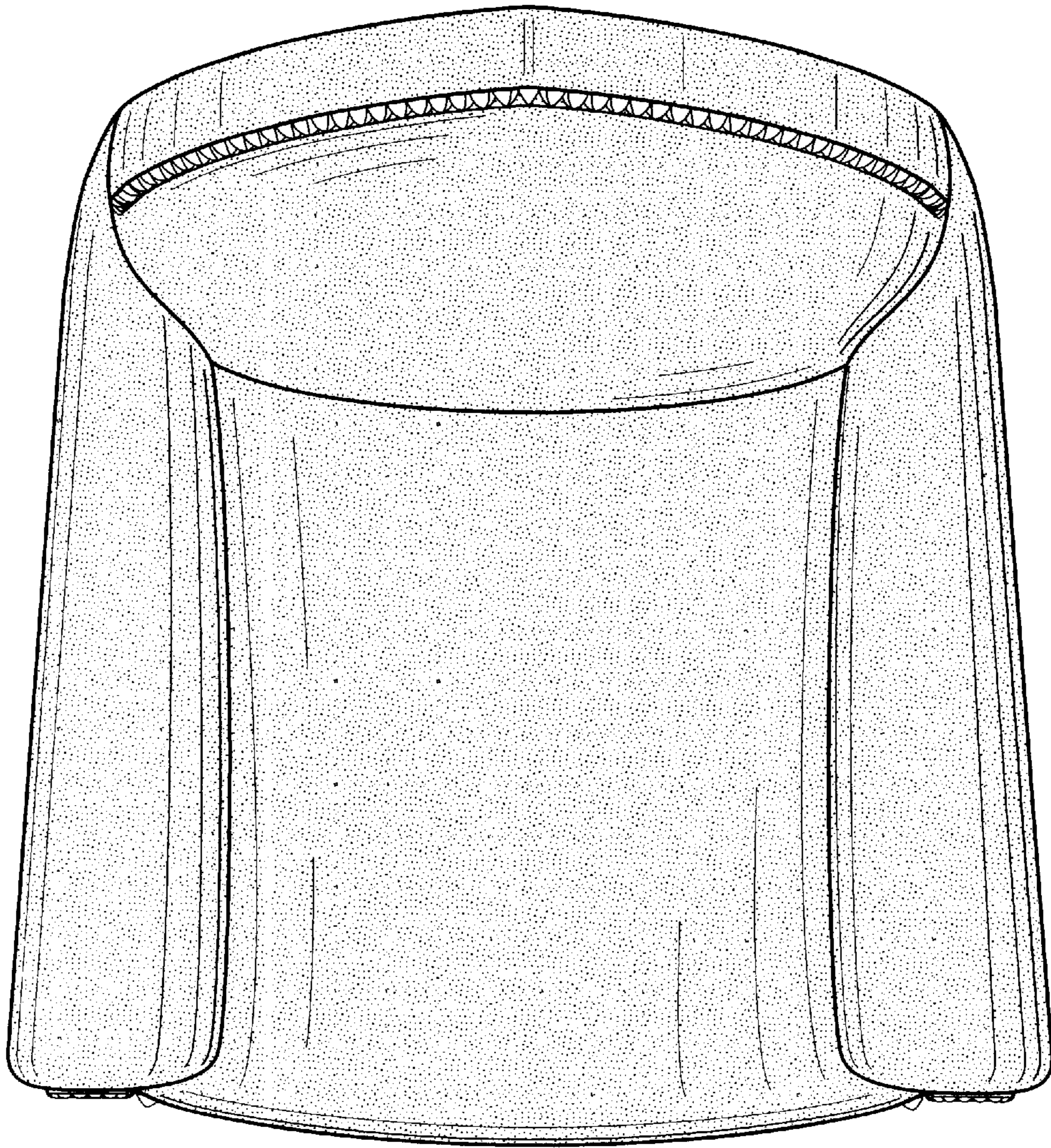


FIG._5

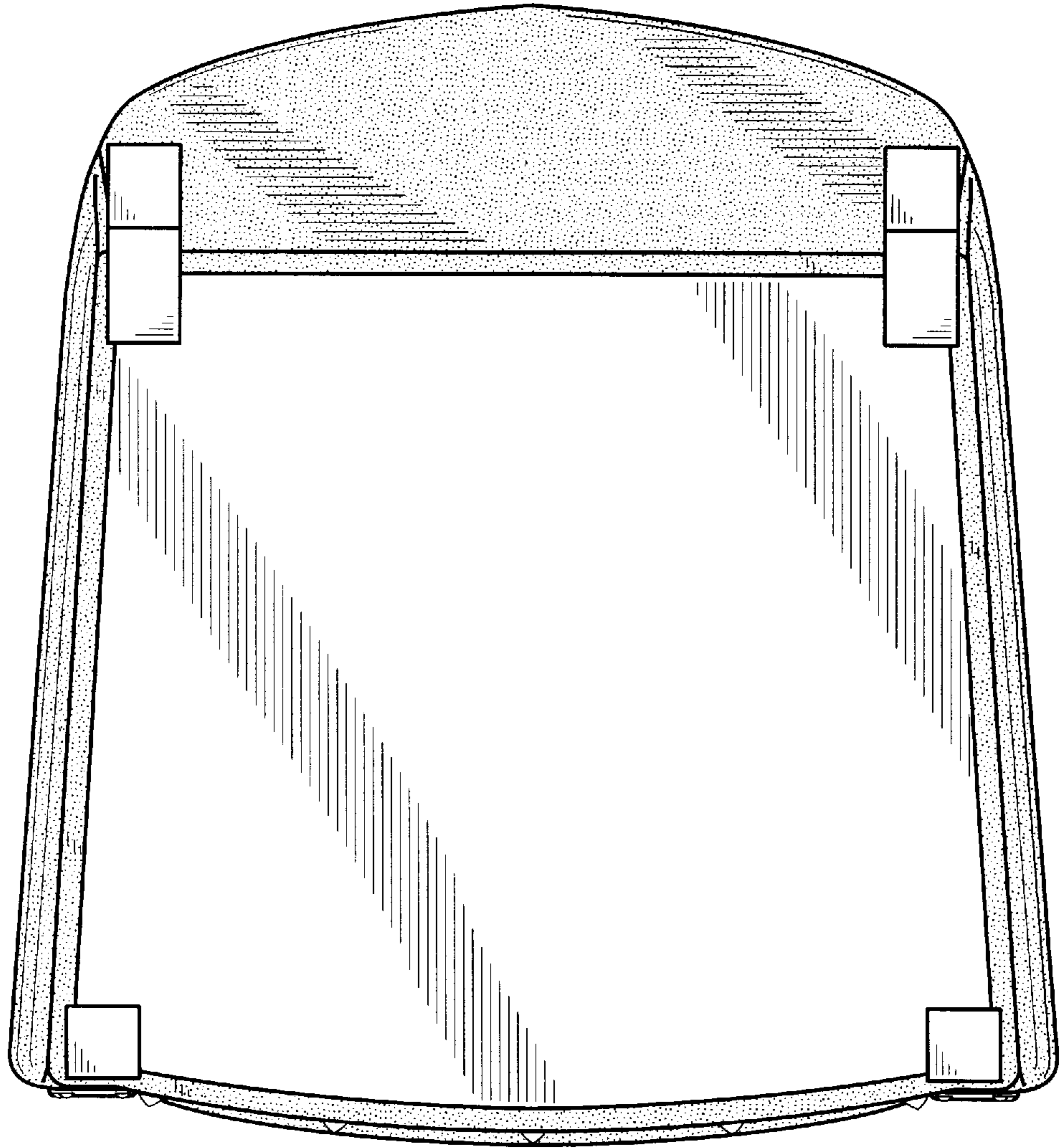


FIG. 6