



US00D402122S

# United States Patent [19] Grant

[11] **Patent Number:** **Des. 402,122**

[45] **Date of Patent:** **\*\*Dec. 8, 1998**

[54] **SWIVEL PICTURE FRAME**

[76] Inventor: **Marcia Grant**, 15 Miller Hill Dr.,  
LaGrangeville, N.Y. 12540

[\*\*] Term: **14 Years**

[21] Appl. No.: **77,011**

[22] Filed: **Sep. 19, 1997**

[51] **LOC (6) Cl.** ..... **06-07**

[52] **U.S. Cl.** ..... **D6/312; D6/301**

[58] **Field of Search** ..... D6/300-314; 248/469,  
248/474; 40/700, 711, 714, 716, 745, 765,  
780, 790, 791, 798, 799, 723, 734, 747,  
757, 759

[56] **References Cited**

**U.S. PATENT DOCUMENTS**

D. 248,525	7/1978	Eckel et al. ....	D6/301
D. 276,012	10/1984	Westcott et al. ....	D6/301
1,835,033	12/1931	Fischer .....	40/747
2,140,666	12/1938	Chmielewski et al. ....	40/747

*Primary Examiner*—Janice E. Seeger  
*Attorney, Agent, or Firm*—Schmeiser, Olsen & Watts

[57] **CLAIM**

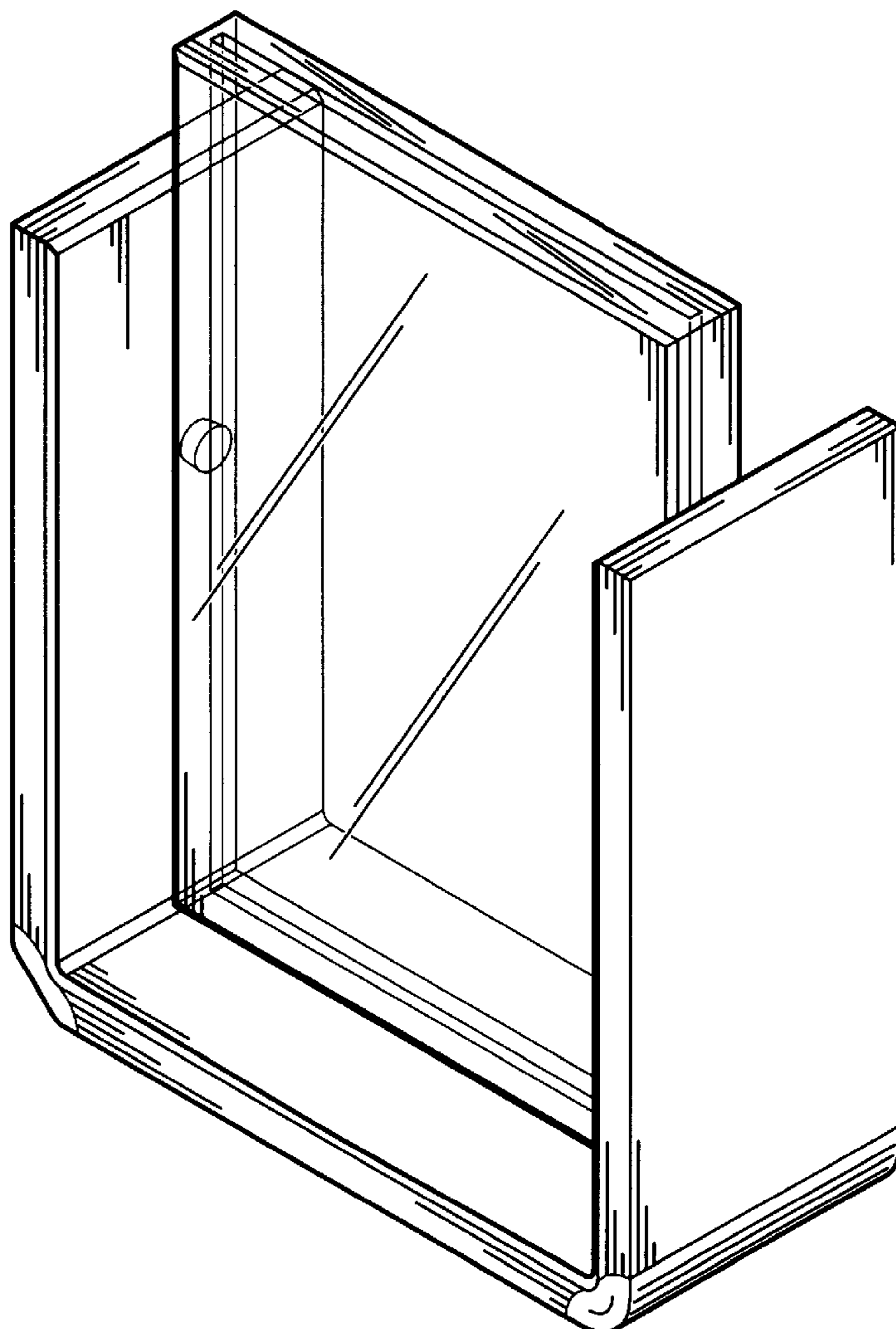
The ornamental design for a swivel picture frame, as shown and described.

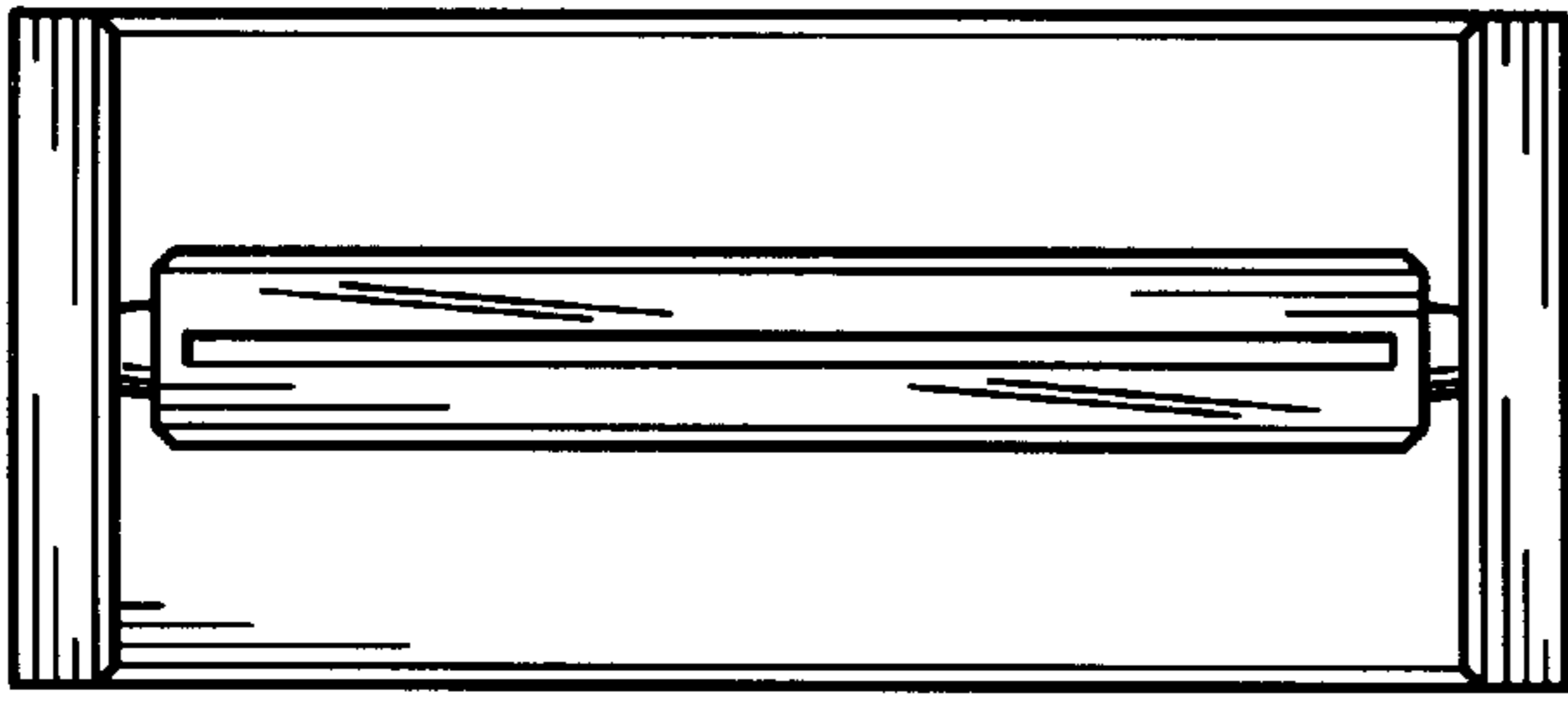
**DESCRIPTION**

FIG. 1 is a top view of the swivel picture frame;  
FIG. 2 is a front elevational view of the swivel picture frame the rear being identical thereto;  
FIG. 3 is a side view of the swivel picture frame the opposite side being identical thereto;  
FIG. 4 is a bottom view of the swivel picture frame;  
FIG. 5 is a first perspective view of the swivel picture frame;  
FIG. 6 is a second perspective view of the swivel picture frame; and,  
FIG. 7 is a perspective view of an alternate embodiment of the swivel picture frame.

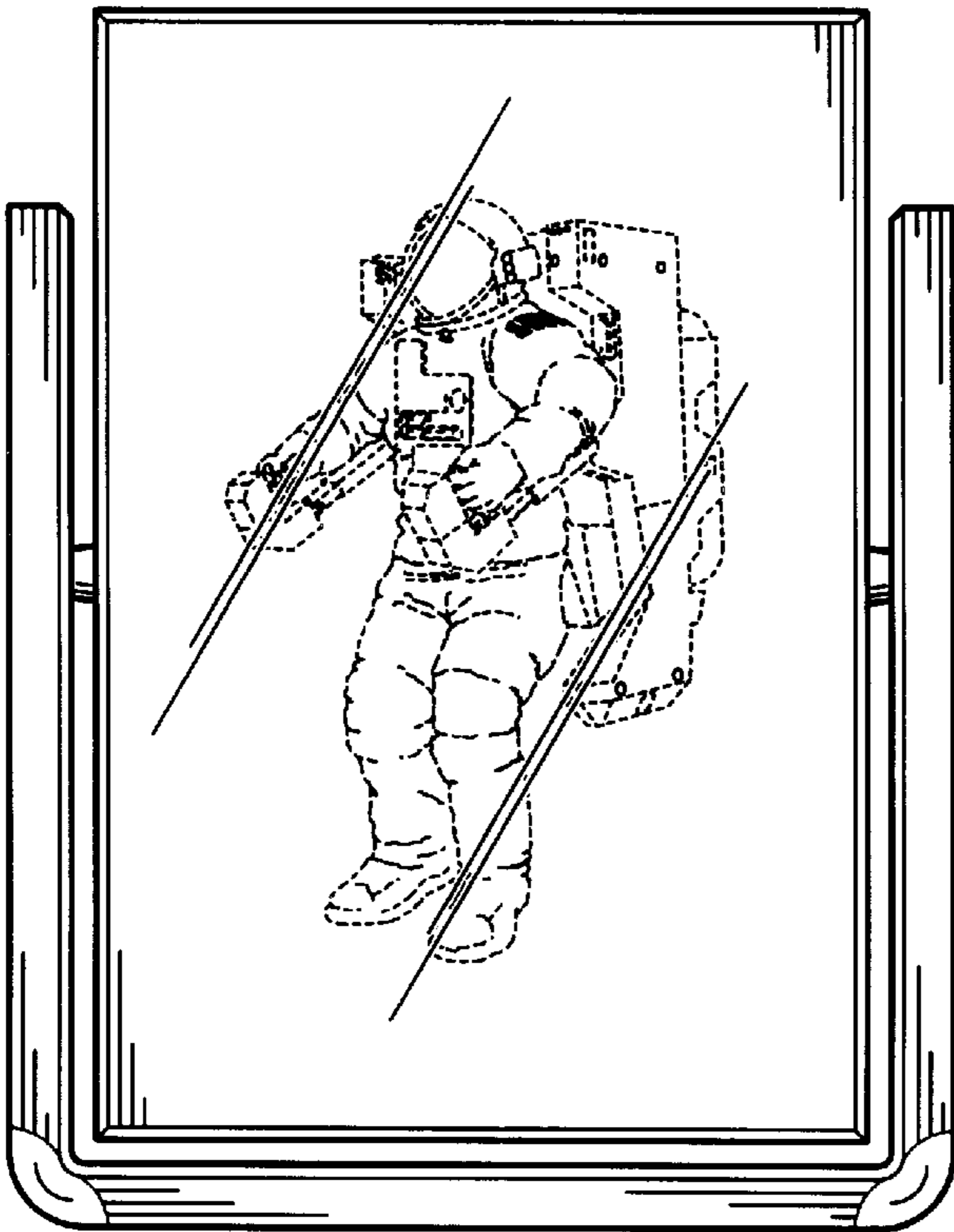
The broken line portions of FIG. 2 are for illustrative purposes only and form no part of the claimed design.

**1 Claim, 3 Drawing Sheets**

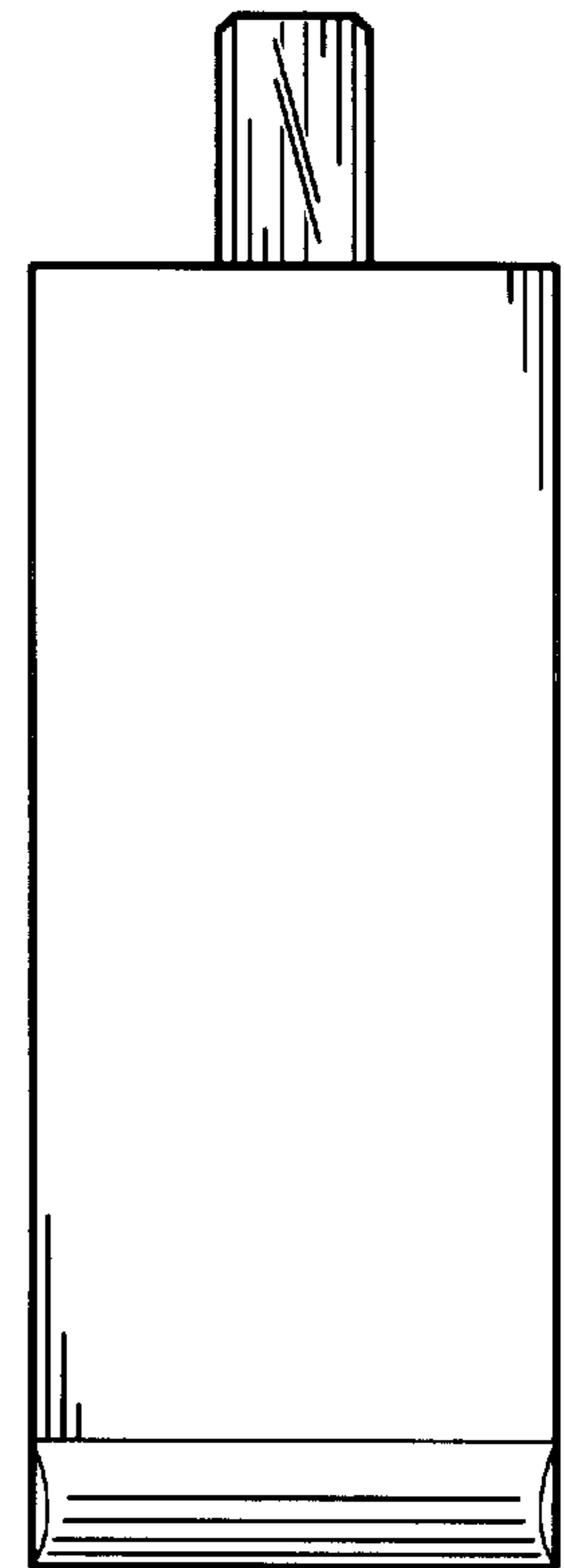




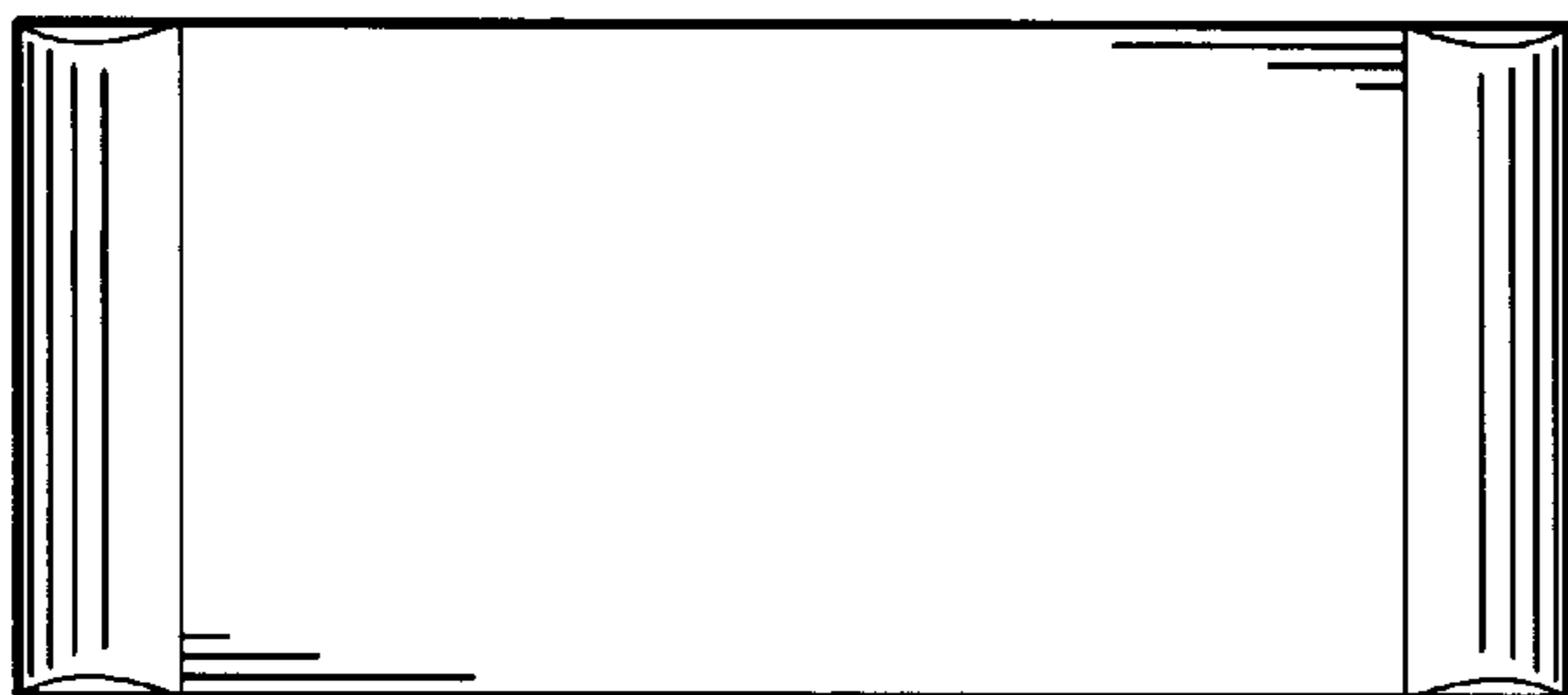
**FIG. 1**



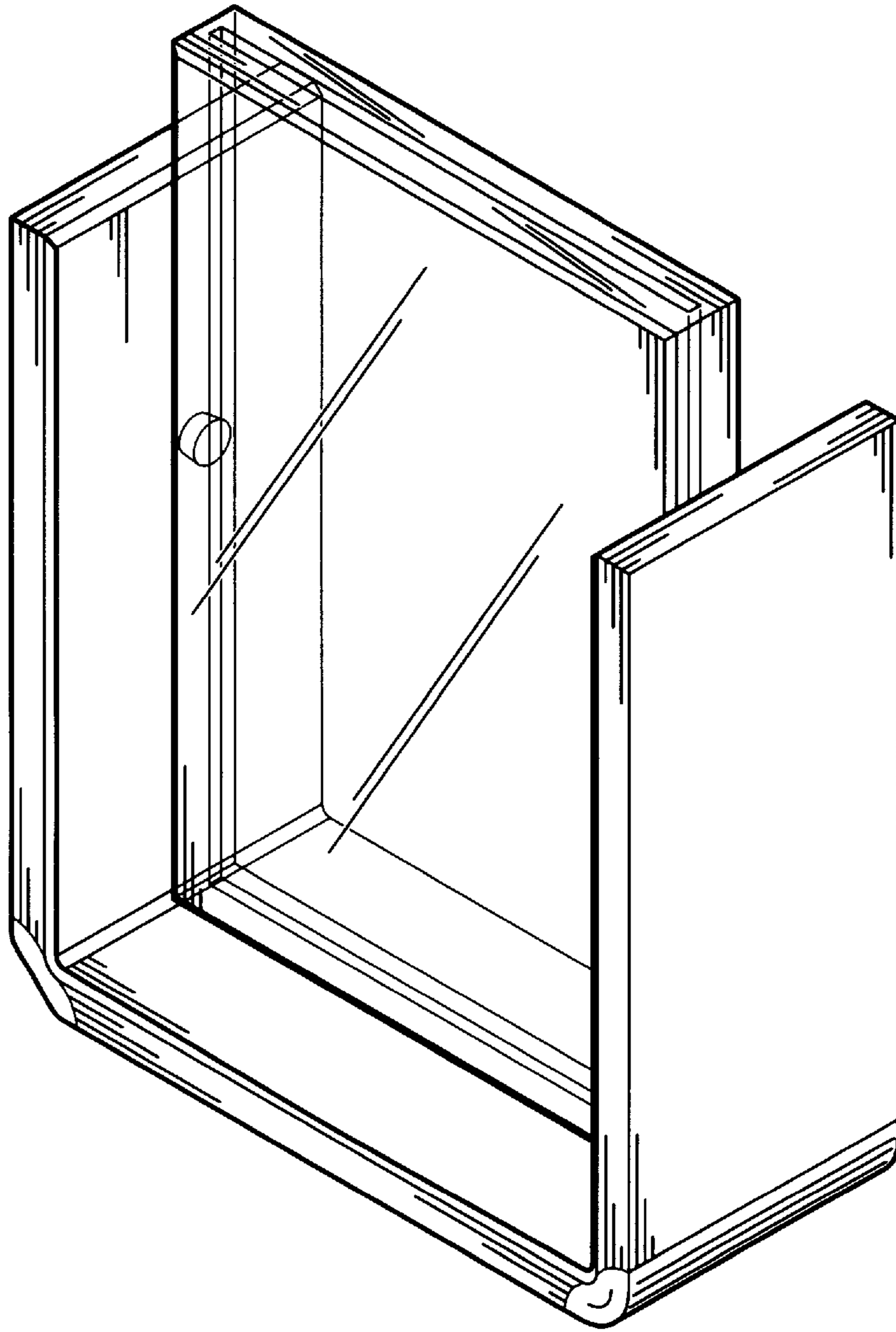
**FIG. 2**



**FIG. 3**

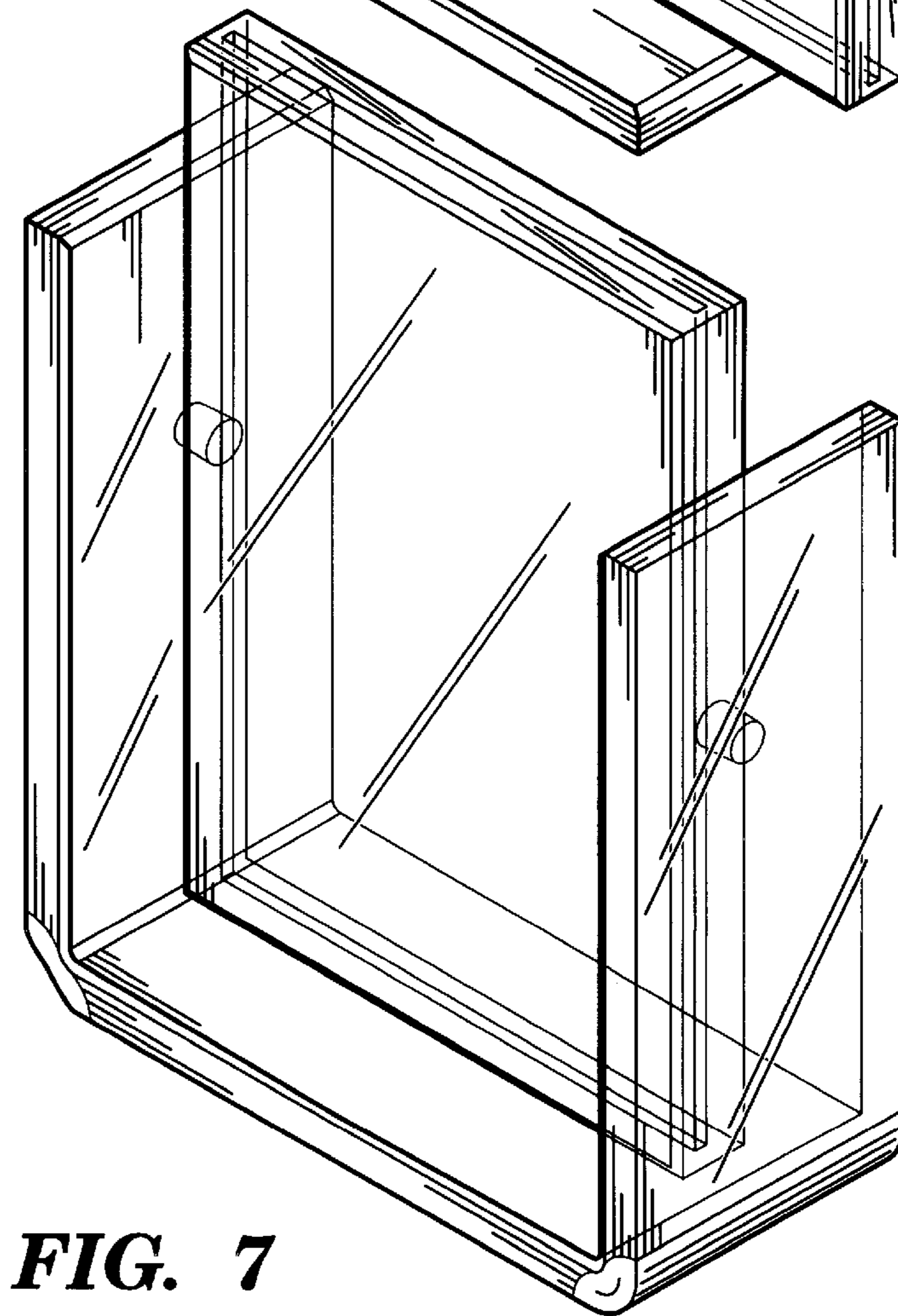
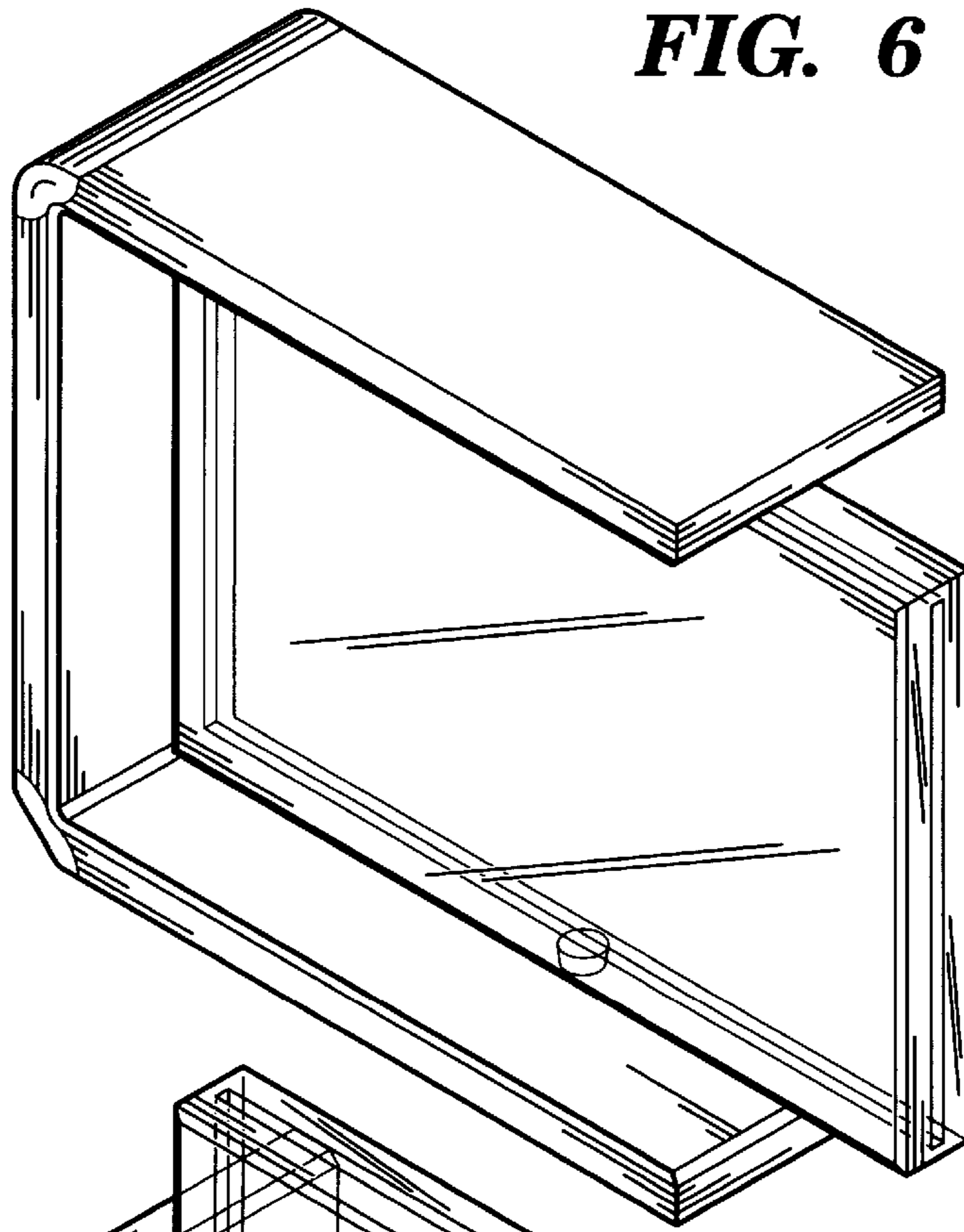


**FIG. 4**



**FIG. 5**

**FIG. 6**



**FIG. 7**