



US00D402117S

United States Patent [19]

Fleming et al.

[11] **Patent Number:** **Des. 402,117**

[45] **Date of Patent:** ****Dec. 8, 1998**

[54] **BRUSHHEAD FOR A TOOTHBRUSH**

1,901,646 3/1933 Hicks 15/167.1
5,628,082 5/1997 Moskovich 15/110

[75] Inventors: **Bruce F. Fleming**, Pennington; **Alan G. Trojanowski**, Monmouth Junction, both of N.J.

FOREIGN PATENT DOCUMENTS

1054713 2/1954 France 15/167.1

[73] Assignee: **McNeil-PPC, Inc.**, Skillman, N.J.

Primary Examiner—Alan P. Douglas
Assistant Examiner—Lavone D. Tabor

[**] Term: **14 Years**

[57] CLAIM

[21] Appl. No.: **77,202**

The ornamental design for a brushhead for a toothbrush, as shown and described.

[22] Filed: **Sep. 29, 1997**

DESCRIPTION

[51] **LOC (6) Cl.** **04-02**

[52] **U.S. Cl.** **D4/104**

[58] **Field of Search** D4/104-112, 134;
15/110, 159.1, 167.1, 167.2, 176.1, 207.2,
DIG. 5; 601/139, 141

FIG. 1 is a perspective view showing the brushhead of our new design;
FIG. 2 is a top plan view thereof;
FIG. 3 is a side elevational view thereof, the opposite side being a mirror image;
FIG. 4 is a bottom plan view thereof;
FIG. 5 is a front elevational view thereof; and,
FIG. 6 is a rear elevational view thereof.

[56] References Cited

U.S. PATENT DOCUMENTS

D. 374,775 10/1996 Yost et al. D4/104
D. 387,206 12/1997 Yamamoto et al. D4/104

1 Claim, 3 Drawing Sheets

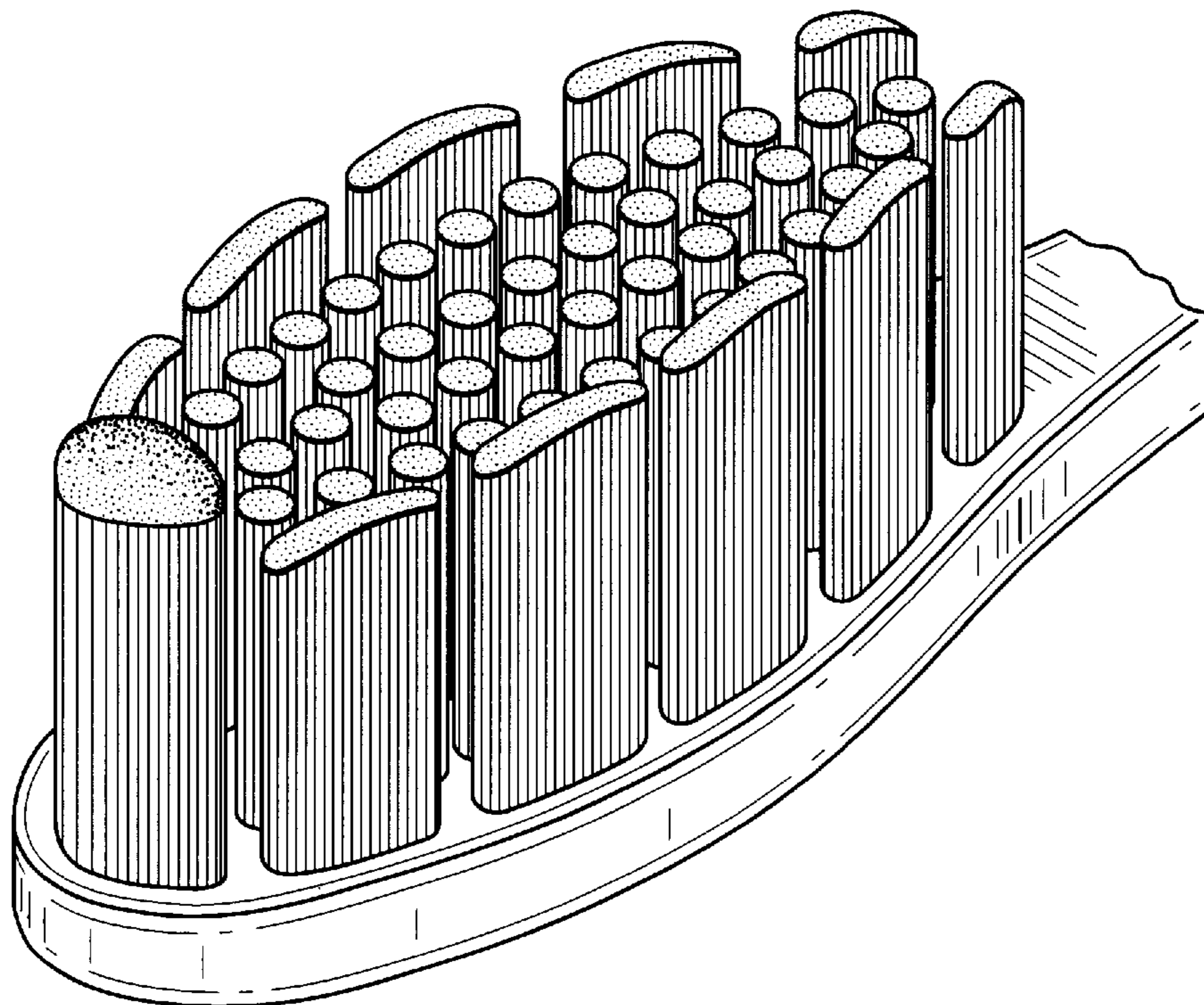


FIG. 1

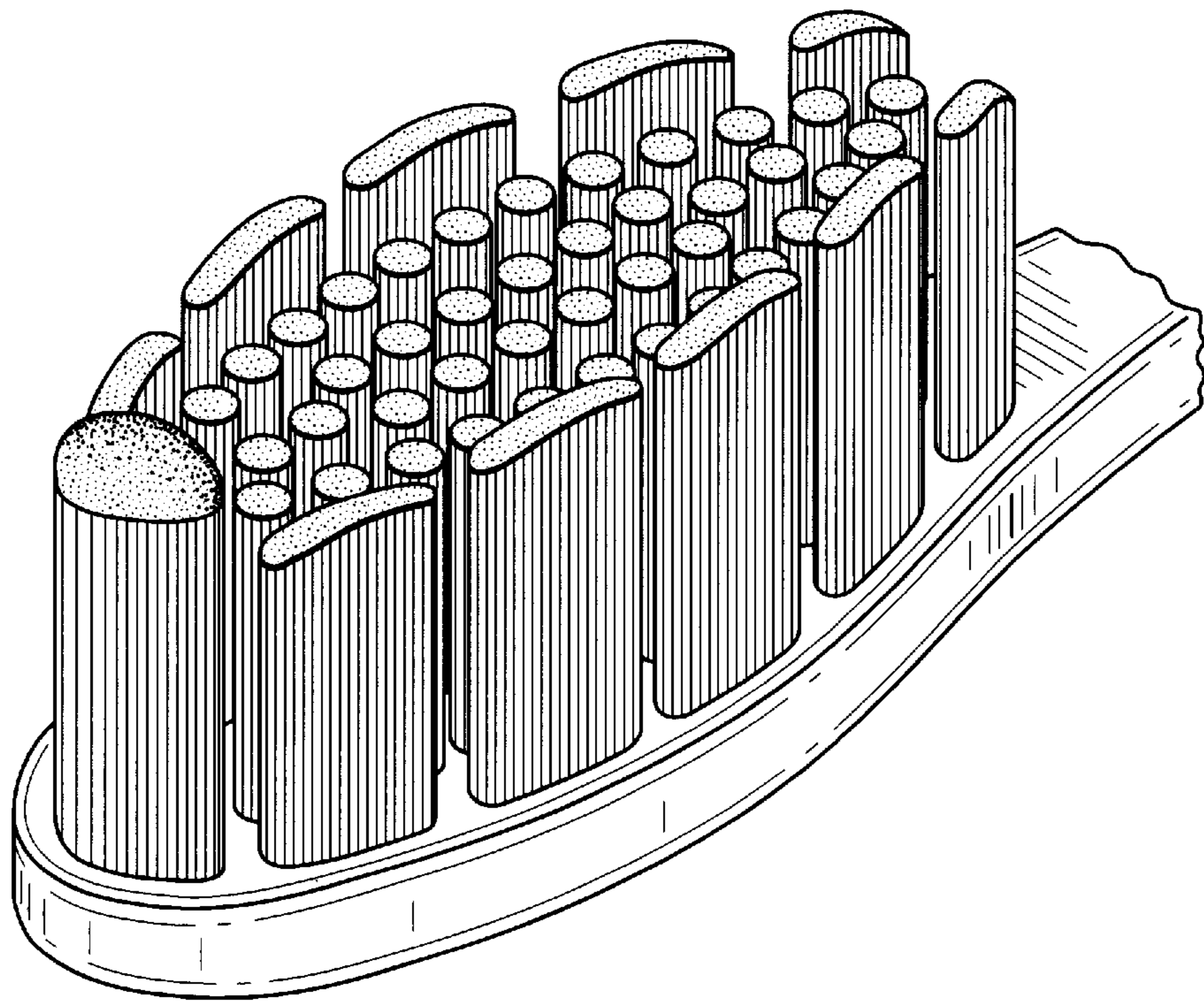


FIG. 2

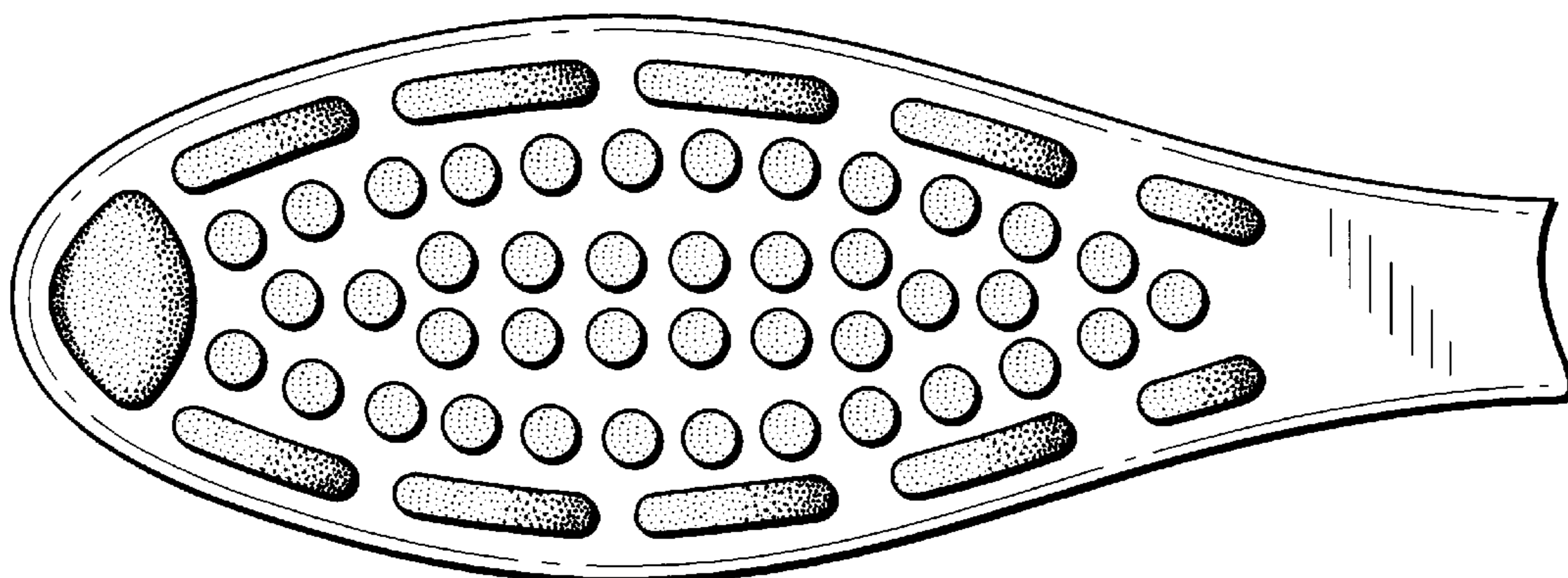


FIG. 3

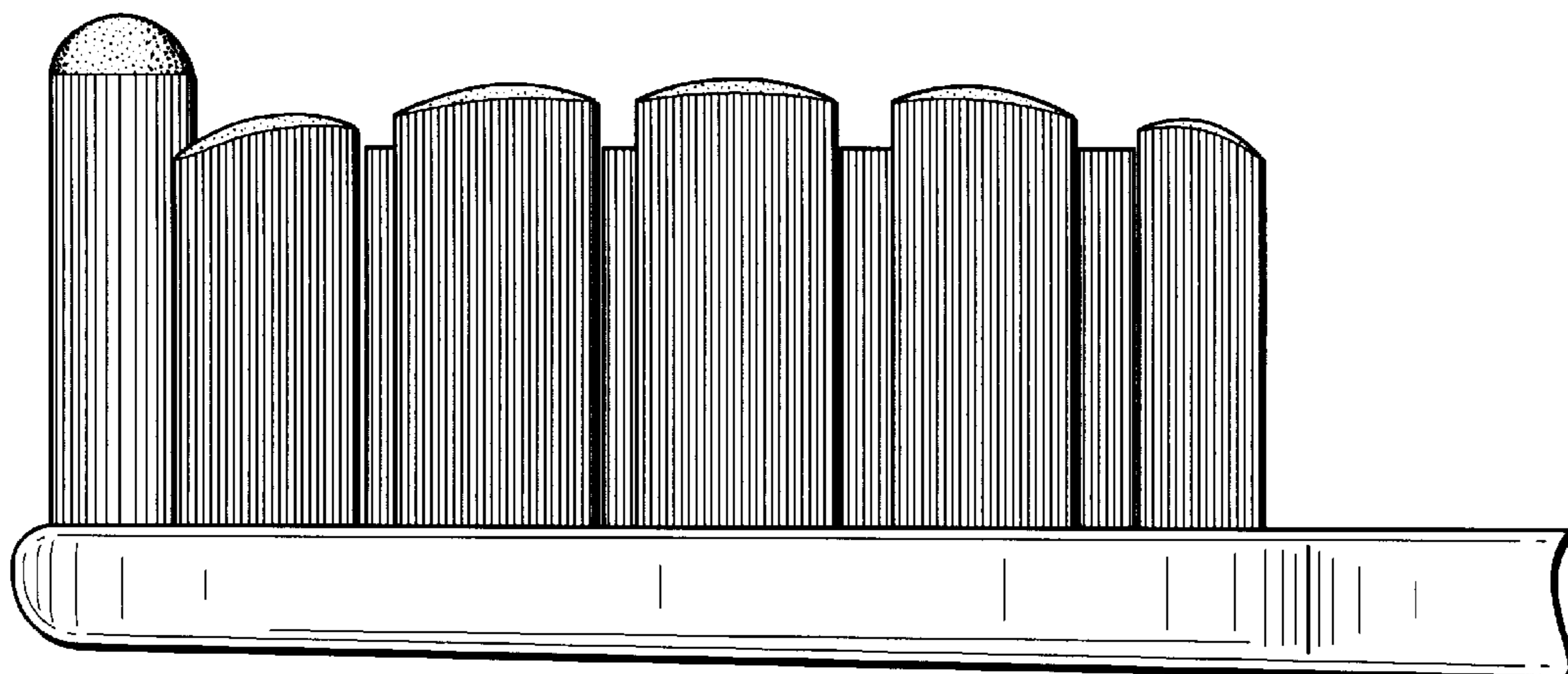


FIG. 4

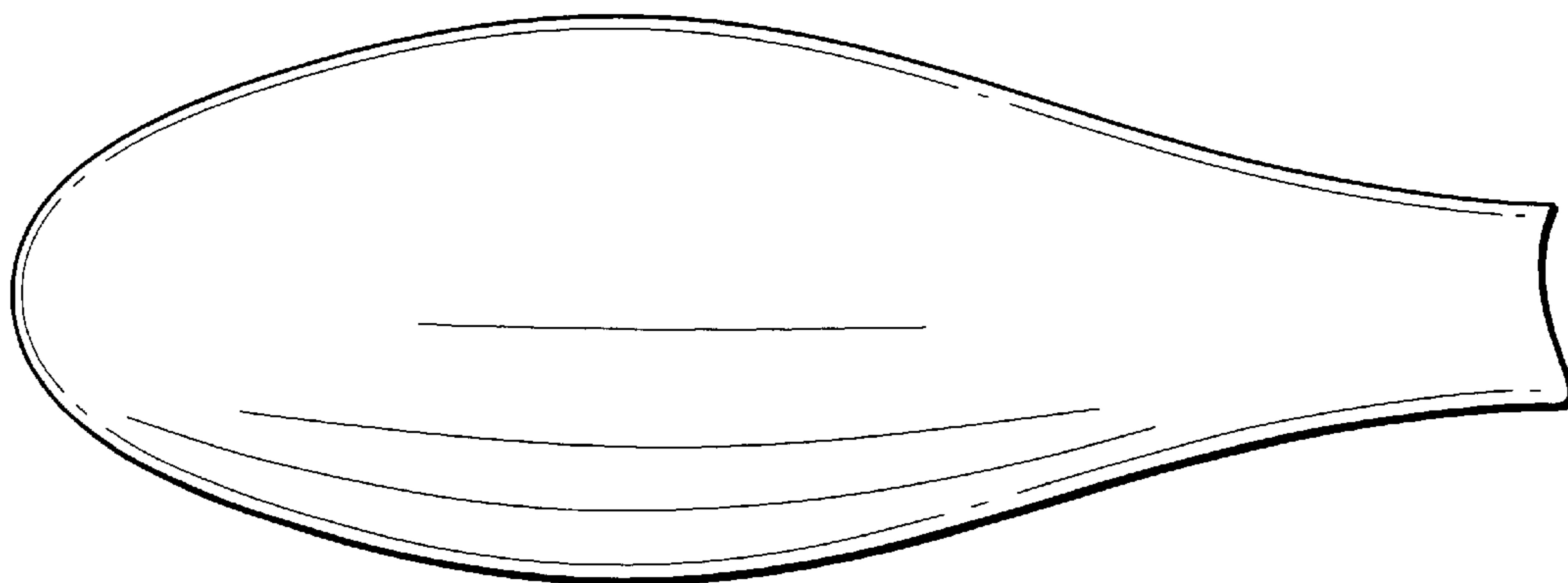


FIG. 5

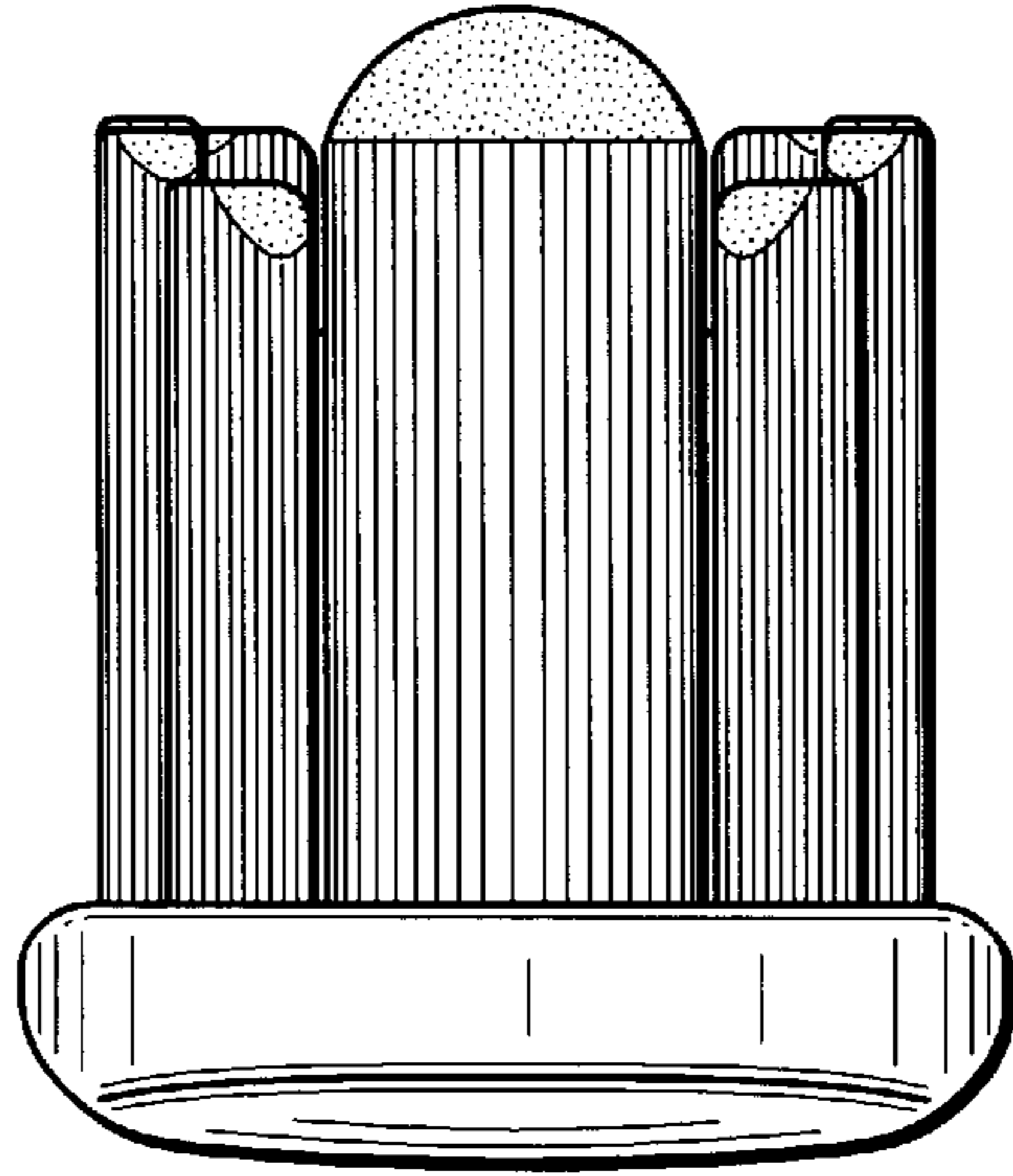


FIG. 6

