



US00D402111S

# United States Patent [19]

Dickinson et al.

[11] Patent Number: **Des. 402,111**

[45] Date of Patent: **\*\*Dec. 8, 1998**

[54] **TOOLBOX**

[75] Inventors: **Thomas Dickinson; Bradley D. Gale,**  
both of St. Louis, Mo.

[73] Assignee: **Contico International, Inc.,** St. Louis,  
Mo.

[\*\*] Term: **14 Years**

[21] Appl. No.: **78,492**

[22] Filed: **Aug. 5, 1997**

[51] **LOC (6) Cl.** ..... **03-01**

[52] **U.S. Cl.** ..... **D3/281; D3/905; D3/291**

[58] **Field of Search** ..... **D3/273, 276, 281,**  
**D3/282, 291, 905; 206/349, 372, 373, 378;**  
**190/110, 111, 112; D9/423, 424, 425**

[56] **References Cited**

### U.S. PATENT DOCUMENTS

D. 314,466 2/1991 Lanius ..... D3/281  
D. 328,818 8/1992 Hanna et al. .... D3/281

D. 328,819 8/1992 Hanna et al. .... D3/281  
D. 367,958 3/1996 Tisbo et al. .... D3/273  
D. 378,874 4/1997 Dickinson et al. .... D3/281  
D. 379,266 5/1997 Dickinson et al. .... D3/281  
5,680,932 10/1997 Dickinson et al. .... 206/372

*Primary Examiner*—Philip S. Hyder  
*Attorney, Agent, or Firm*—Howell & Haferkamp, L.C.

[57] **CLAIM**

The ornamental design for toolbox, as shown and described.

### DESCRIPTION

FIG. 1 is a perspective view of a toolbox showing our new design;  
FIG. 2 is a front elevational view of the toolbox of FIG. 1;  
FIG. 3 is a top plan view of the toolbox of FIG. 1;  
FIG. 4 is a left end elevational view of toolbox of FIG. 1, the right end elevational view being a mirror image thereof;  
FIG. 5 is a rear elevational view of the toolbox of FIG. 1; and,  
FIG. 6 is a bottom plan view of the toolbox of FIG. 1.

**1 Claim, 3 Drawing Sheets**

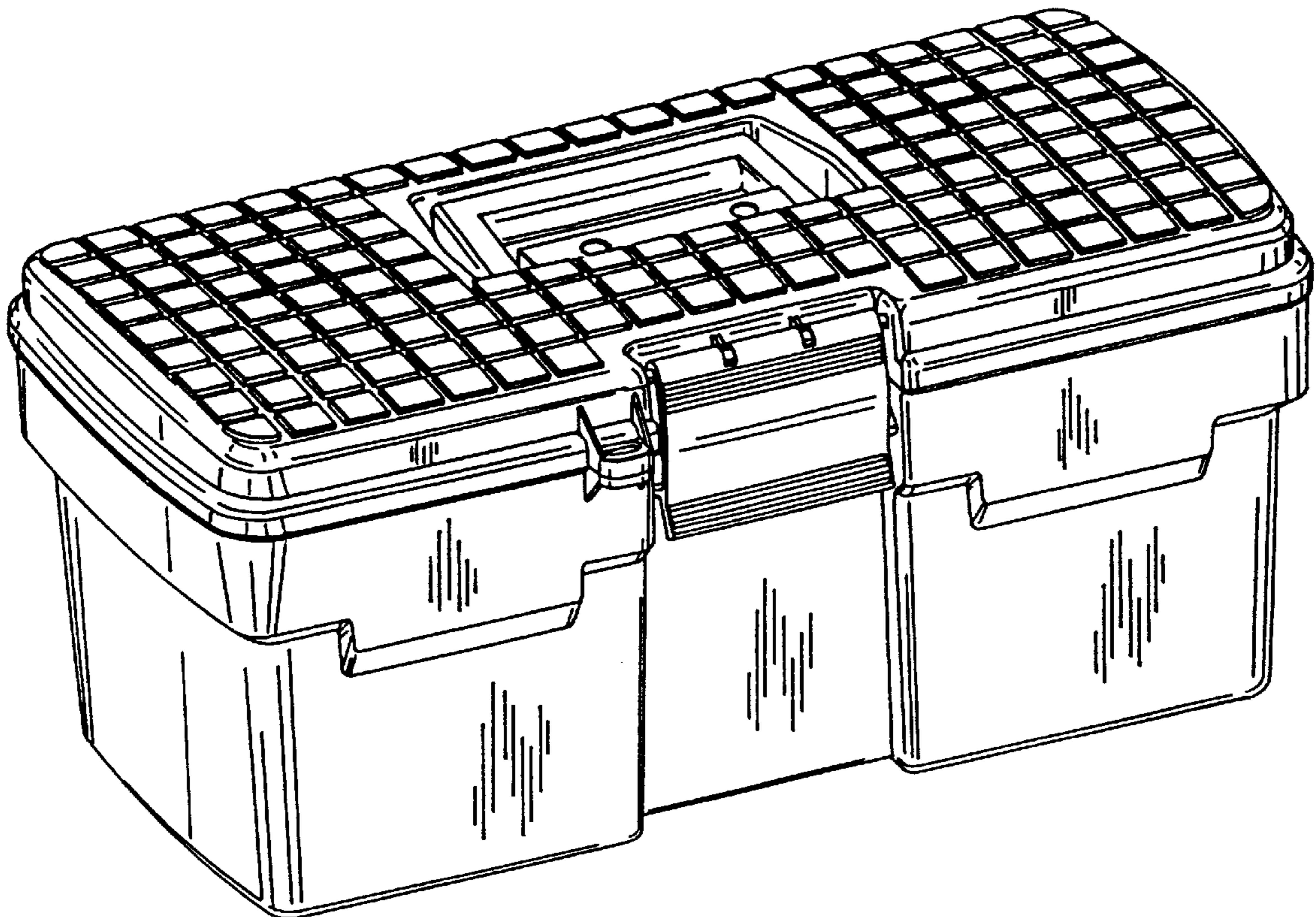


FIG. 1

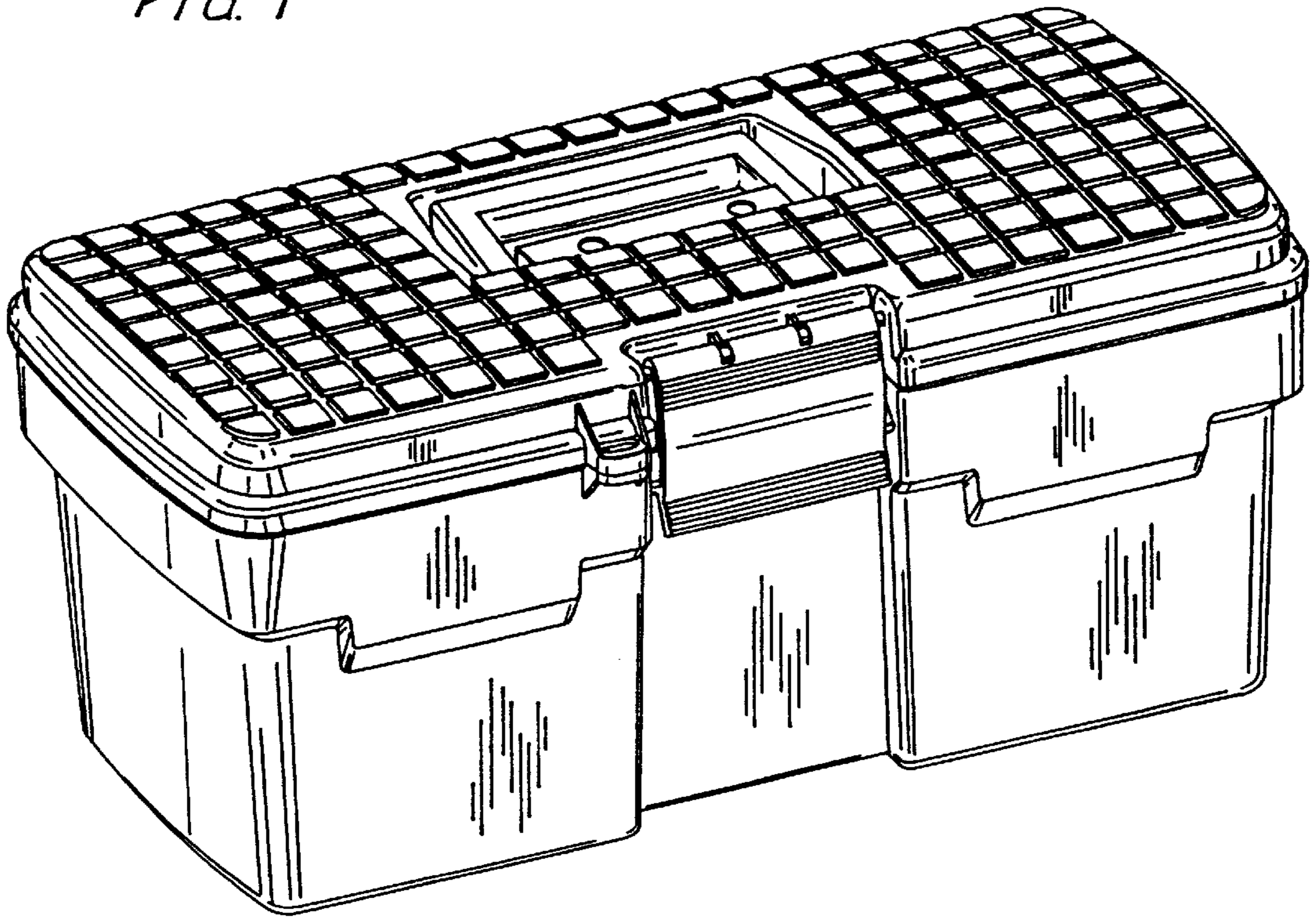


FIG. 2

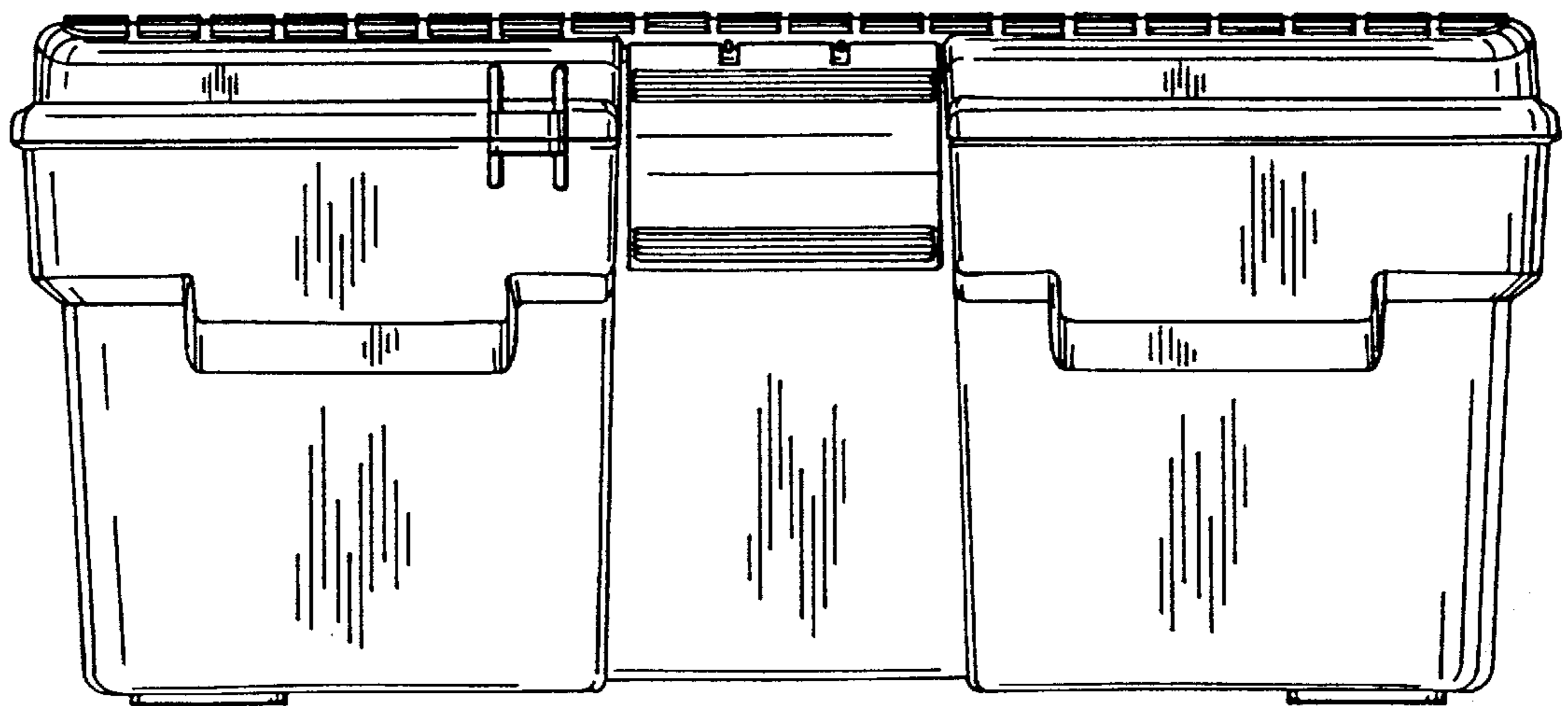


FIG. 3

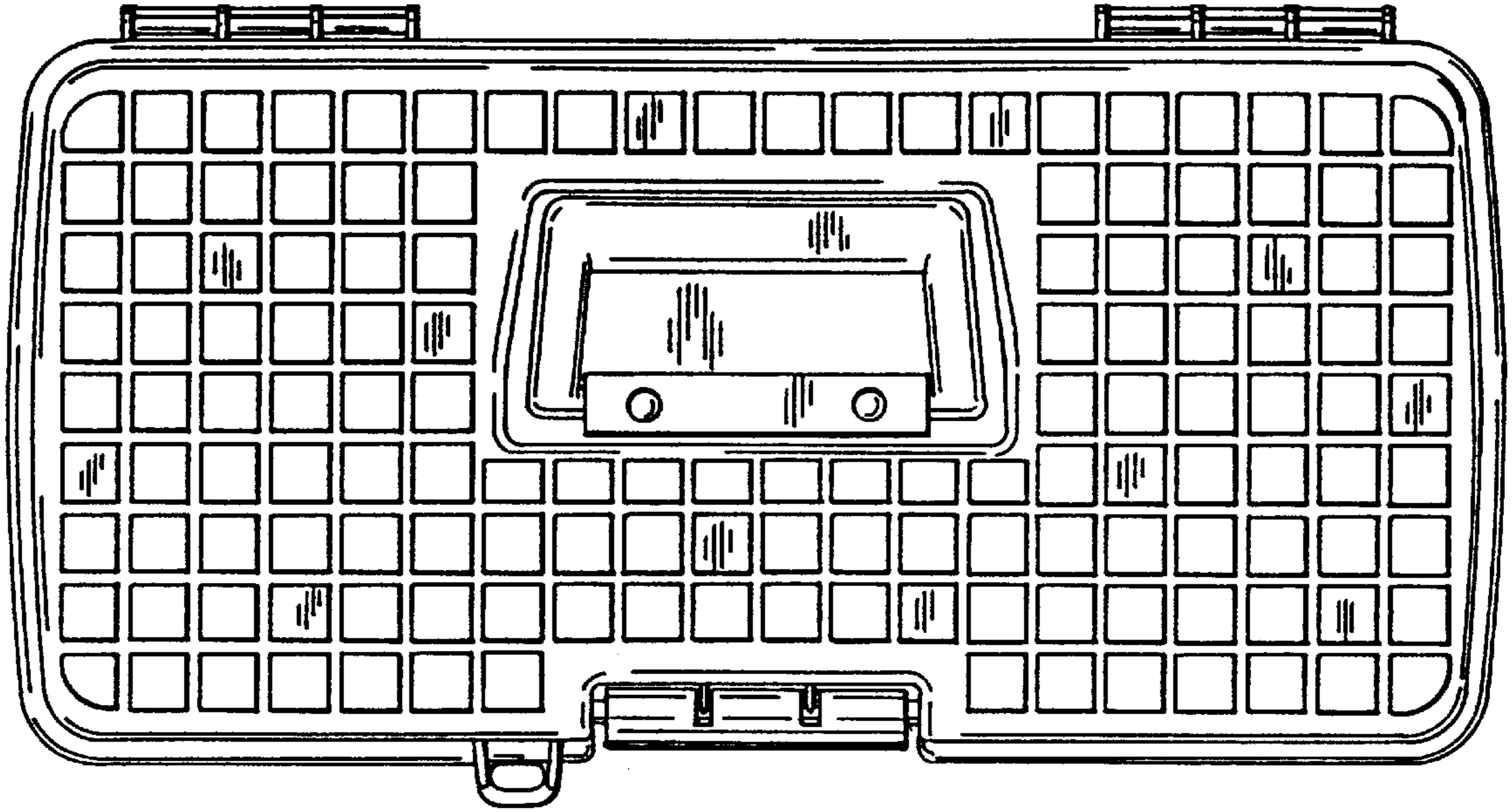


FIG. 4

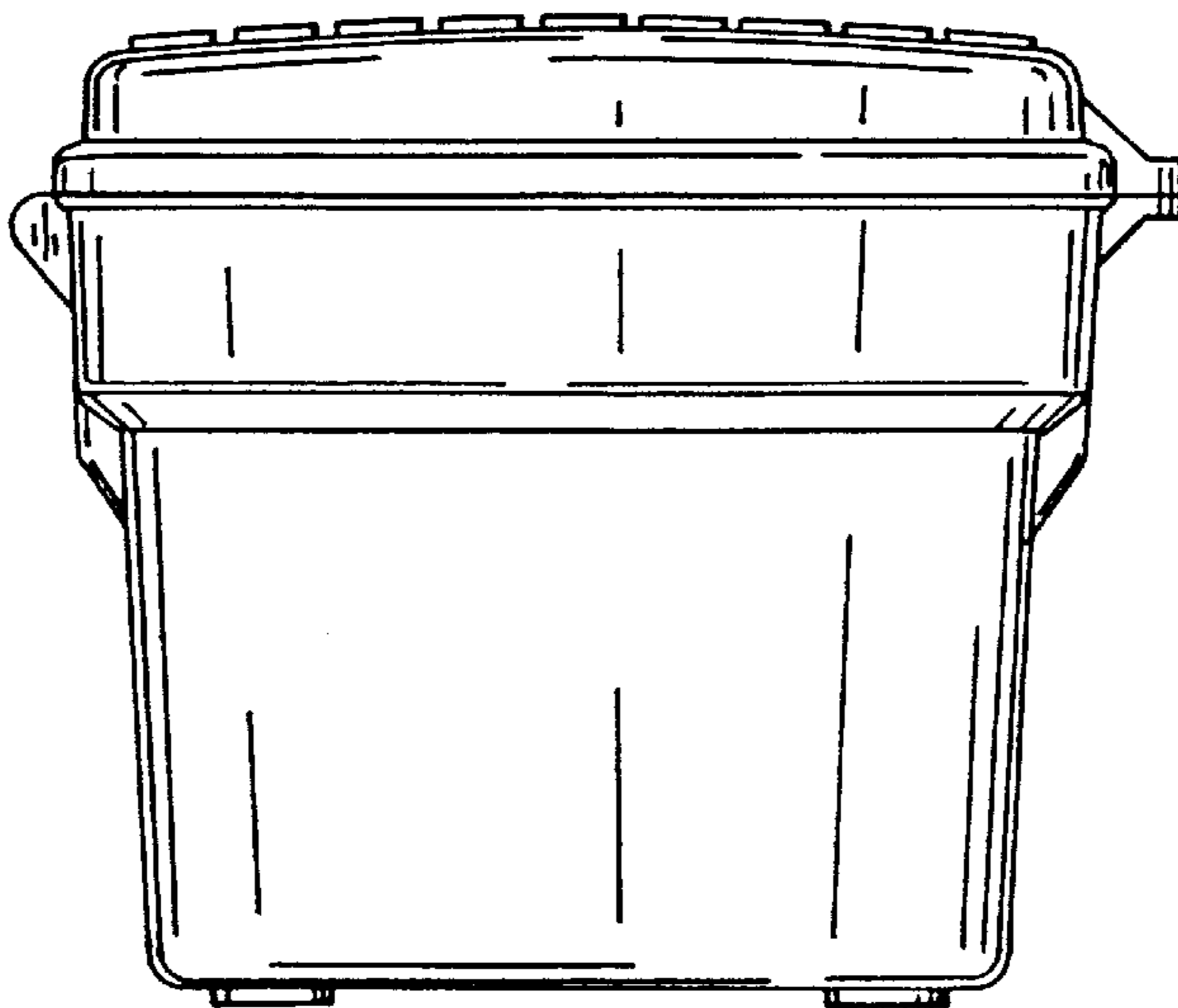


FIG. 5

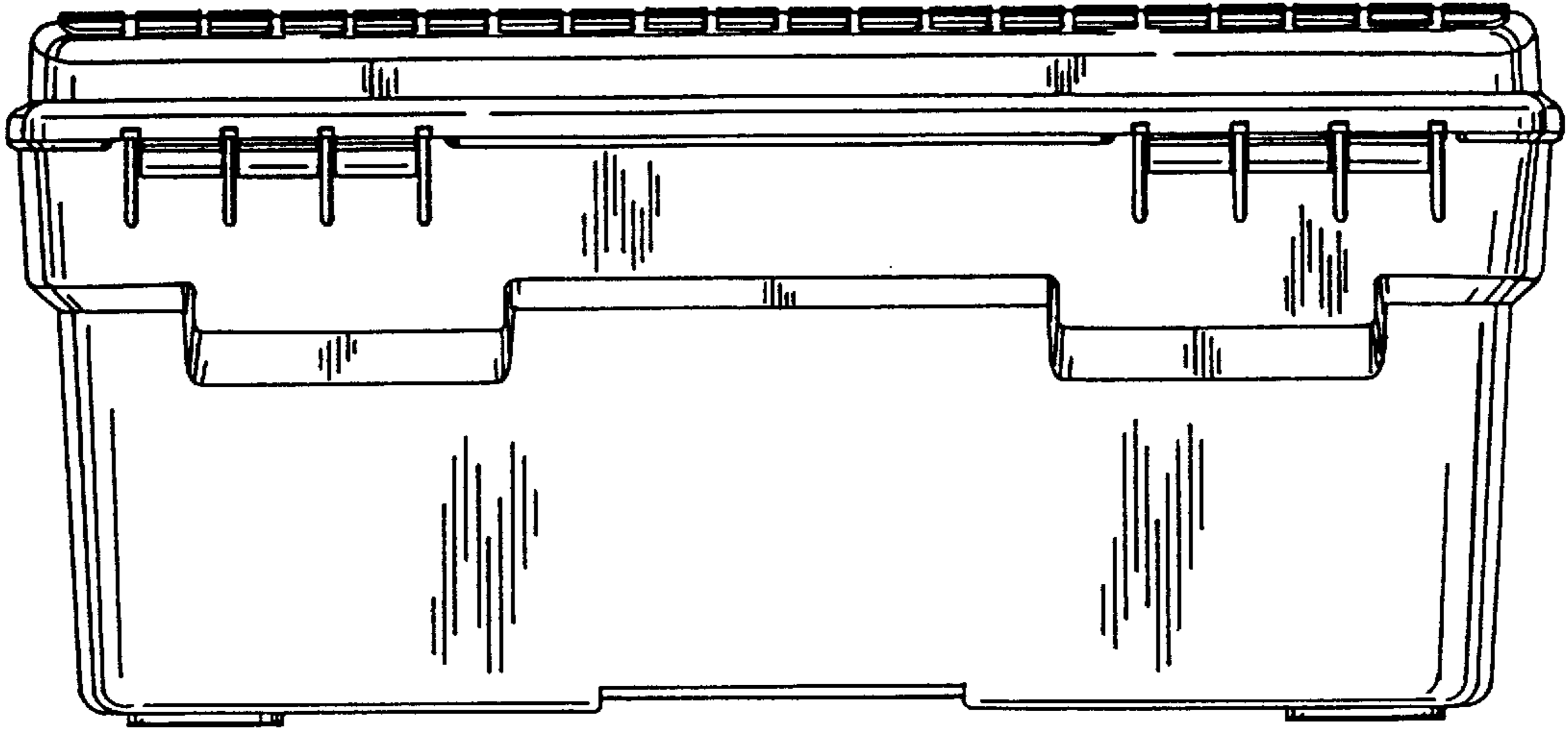


FIG. 6

