

US00D402109S

United States Patent [19] Obenski

[11] **Patent Number: Des. 402,109**

[45] **Date of Patent: **Dec. 8, 1998**

[54] **CREDIT CARD WALLET**

[76] Inventor: **Kenneth S. Obenski**, 4412 Pescadero Ave., San Diego, Calif. 92107

[**] Term: **14 Years**

[21] Appl. No.: **59,118**

[22] Filed: **Sep. 3, 1996**

[51] **LOC (6) Cl. 03-01**

[52] **U.S. Cl. D3/247; D3/250**

[58] **Field of Search D3/201, 243, 247, D3/248, 250, 251, 252, 253, 303; 150/101, 112, 131, 135, 137, 147; 190/111; 206/815; 383/8, 9, 11, 38**

[56] **References Cited**

U.S. PATENT DOCUMENTS

D. 52,176	7/1918	Harvey, Jr.	D3/243
D. 314,587	2/1991	Young	D3/247
2,732,875	1/1956	Martin	150/147
2,815,126	12/1957	Deckers	D3/247 X
3,565,148	2/1971	Miller	150/147
3,856,063	12/1974	Dengel	150/147 X

FOREIGN PATENT DOCUMENTS

1178193	5/1959	France	150/131
1447796	6/1966	France	150/147

Primary Examiner—Louis S. Zarfaz
Assistant Examiner—Monica A. Weingart
Attorney, Agent, or Firm—Henri J. A. Charmasson; John D. Buchaca

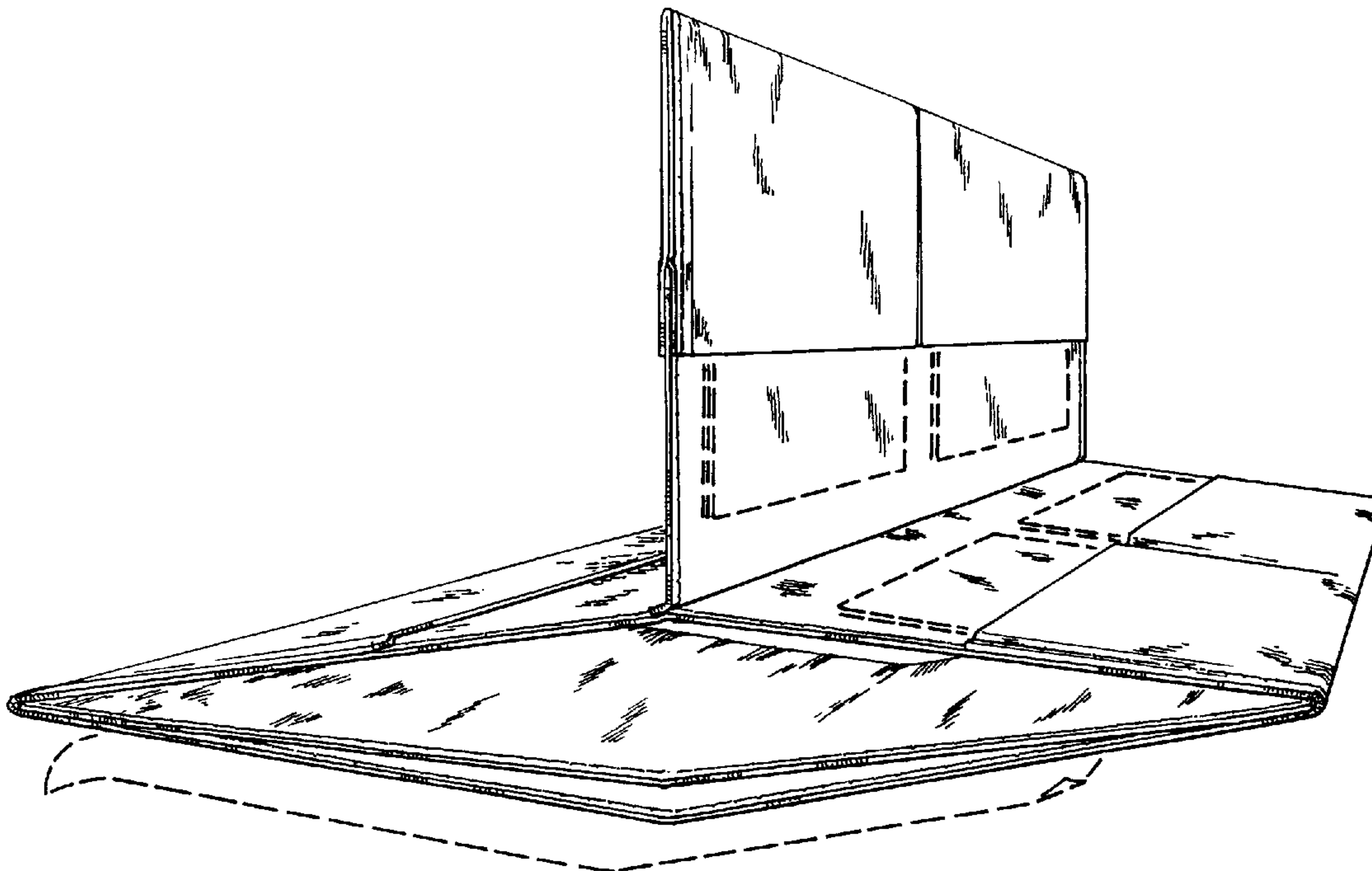
[57] **CLAIM**

The ornamental design for credit card wallet, as shown and described.

DESCRIPTION

FIG. 1 is a front, left side and top perspective view of a credit card wallet showing my new design, with credit cards protruding from some inner pockets and a banknote protruding from a side pocket illustrated in dotted lines; FIG. 2 is a top plan view thereof; FIG. 3 is a right side elevational view thereof; FIG. 4 is a front elevational view thereof; FIG. 5 is a back elevational view thereof; FIG. 6 is a bottom plan view thereof; and, FIG. 7 is a bottom plan view thereof.

1 Claim, 4 Drawing Sheets



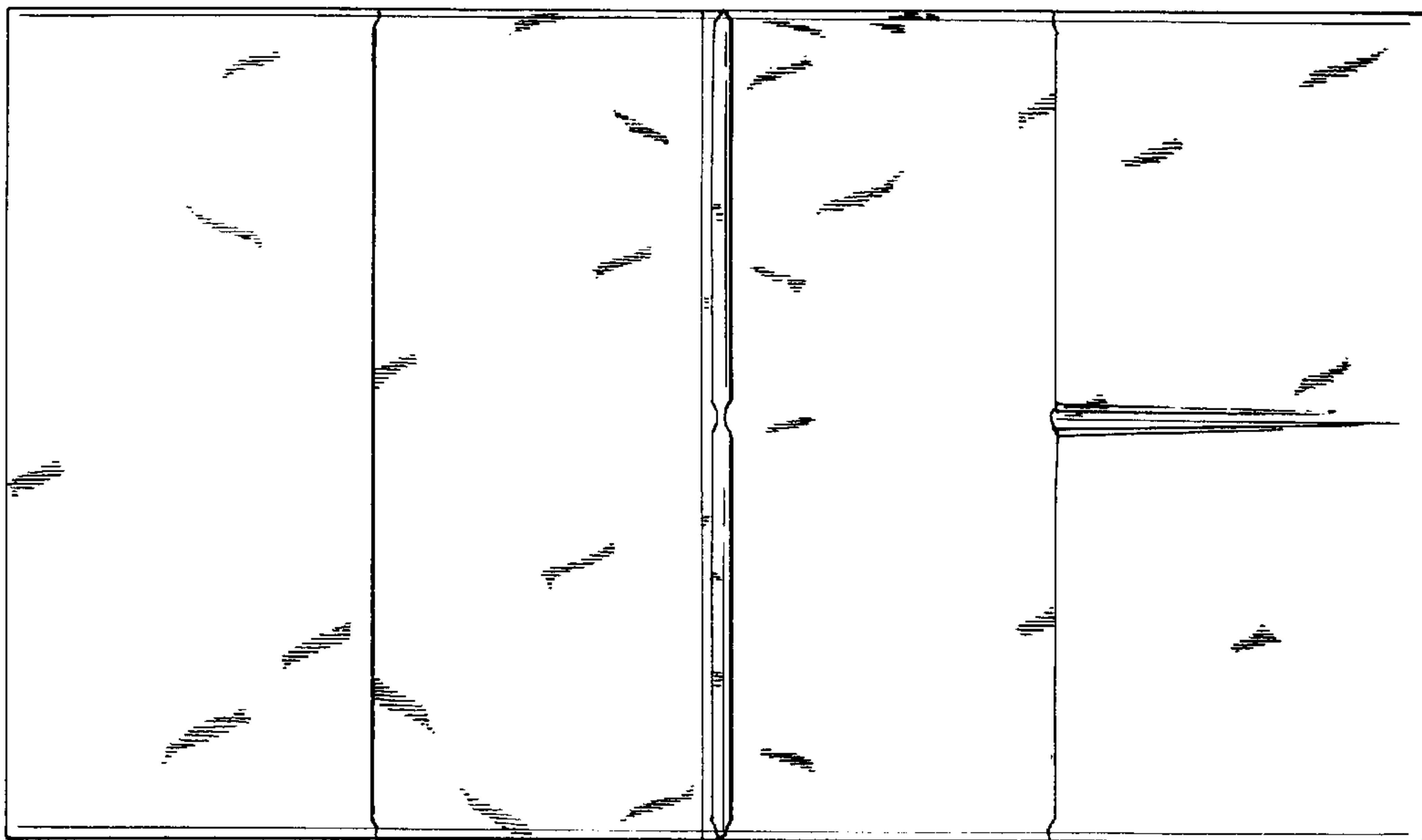
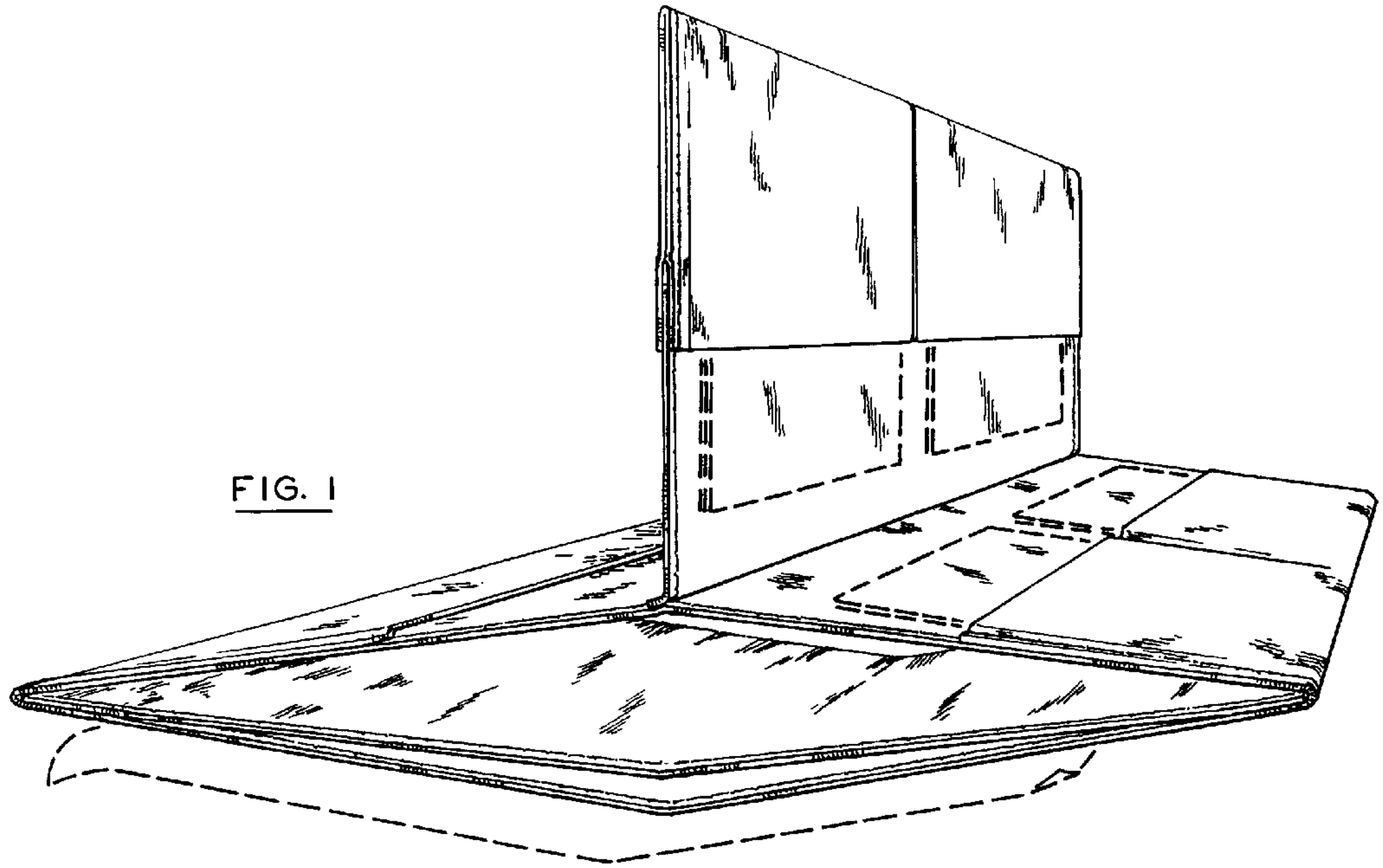


FIG. 2

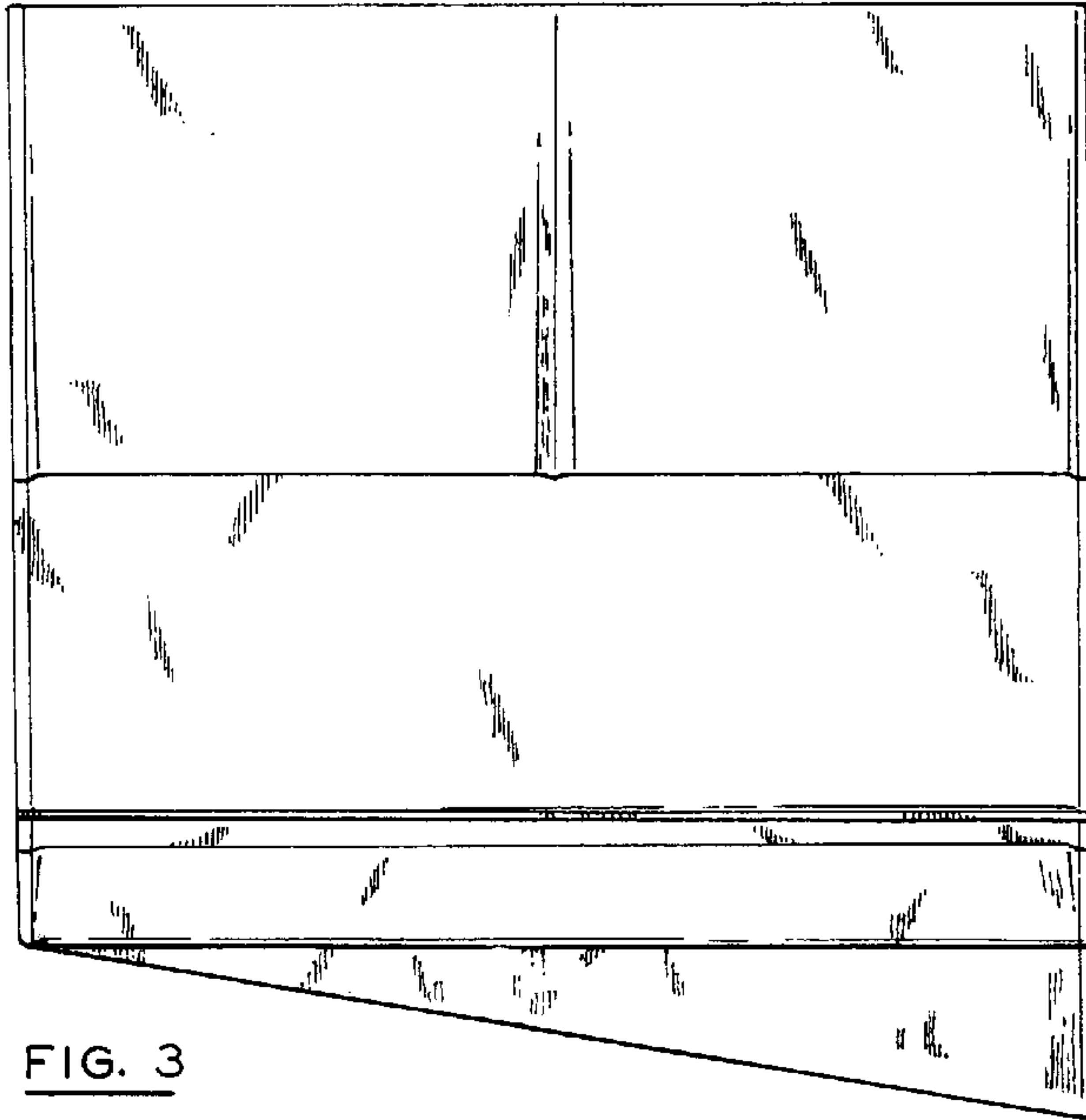


FIG. 3

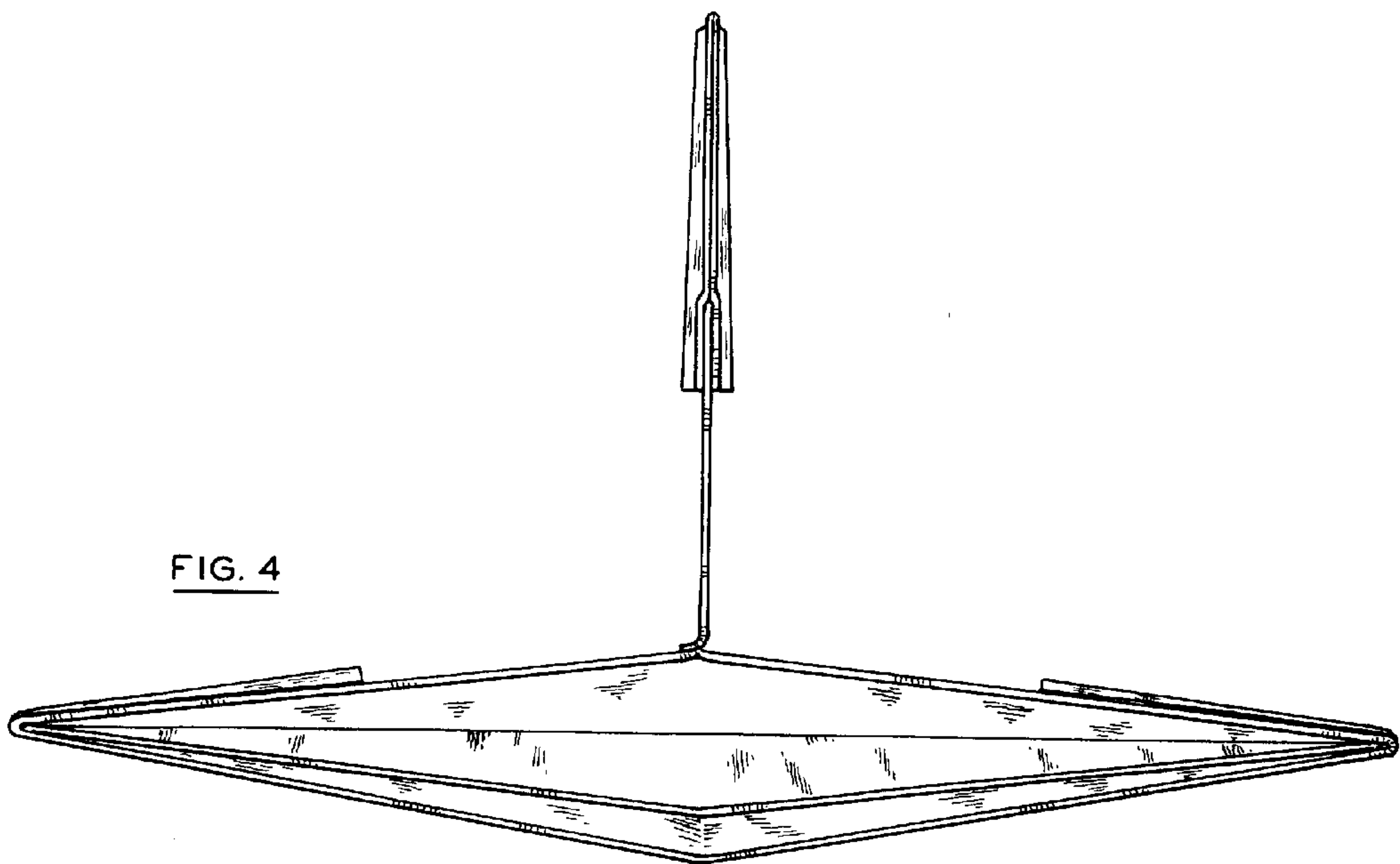


FIG. 4

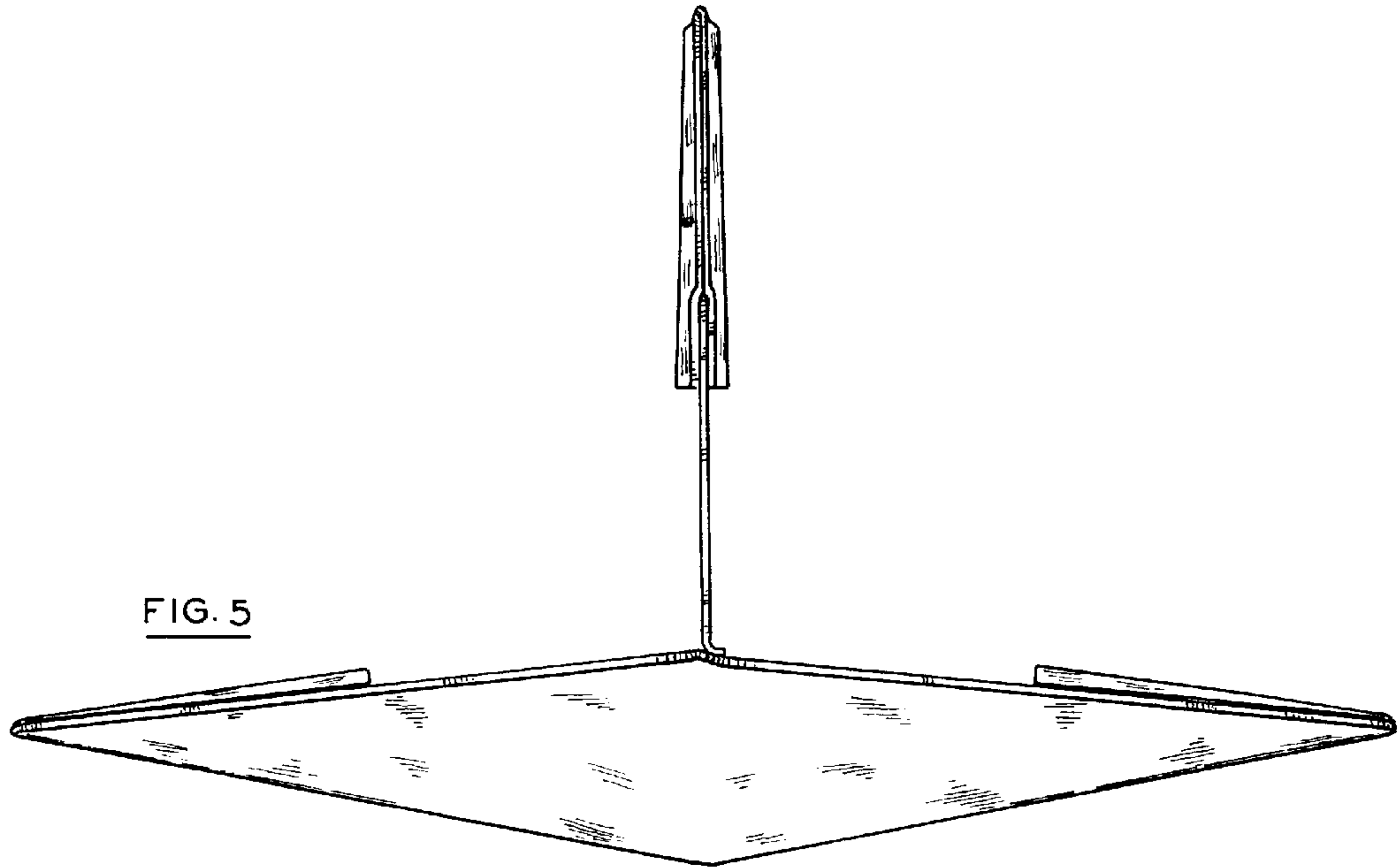


FIG. 5

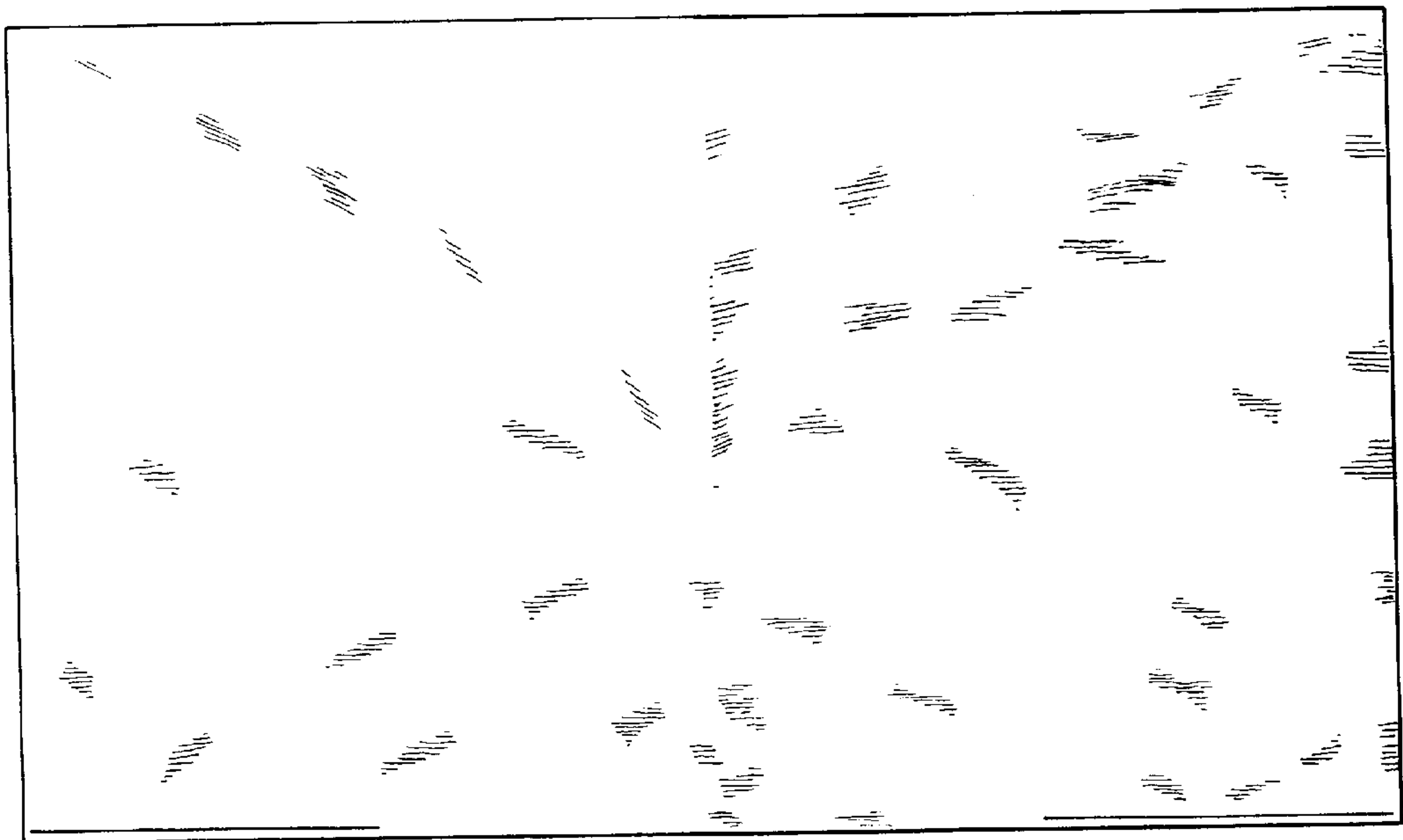


FIG. 6



FIG. 7