

US00D402087S

**United States Patent** [19]  
**Scherich**

[11] **Patent Number:** **Des. 402,087**  
[45] **Date of Patent:** **\*\*Dec. 8, 1998**

[54] **BABY BIB**

[76] Inventor: **Catherine P. Scherich**, 965 Haueter Sq., Bolivar, Ohio 44612

[\*\*] Term: **14 Years**

[21] Appl. No.: **76,290**

[22] Filed: **Sep. 8, 1997**

[51] **LOC (6) Cl.** ..... **02-02**

[52] **U.S. Cl.** ..... **D2/861; D2/860**

[58] **Field of Search** ..... D2/718, 719, 860, D2/861, 862; 2/2.15, 46, 48, 49.1, 50, 51, 52, 69, 69.5, 79, 80, 91, 227

[56] **References Cited**

**U.S. PATENT DOCUMENTS**

D. 59,555	1/1921	Ladd	.....	D2/861
D. 288,022	2/1987	Marconi	.	
D. 351,712	10/1994	Jackson	.....	D2/861
D. 389,290	1/1998	James et al.	.....	D2/860
1,424,013	7/1922	Hale	.	

2,357,636	9/1944	David	.	
4,304,006	12/1981	Swart	.	
4,884,298	12/1989	Silas	.	
4,984,303	1/1991	Ross	.....	2/227
5,153,940	10/1992	Bergquist	.....	2/46
5,271,100	12/1993	Holt	.....	2/51
5,542,123	8/1996	DiPietro	.....	2/69.5

*Primary Examiner*—Louis S. Zarfes  
*Assistant Examiner*—Monica A. Weingart  
*Attorney, Agent, or Firm*—Sand & Sebolt

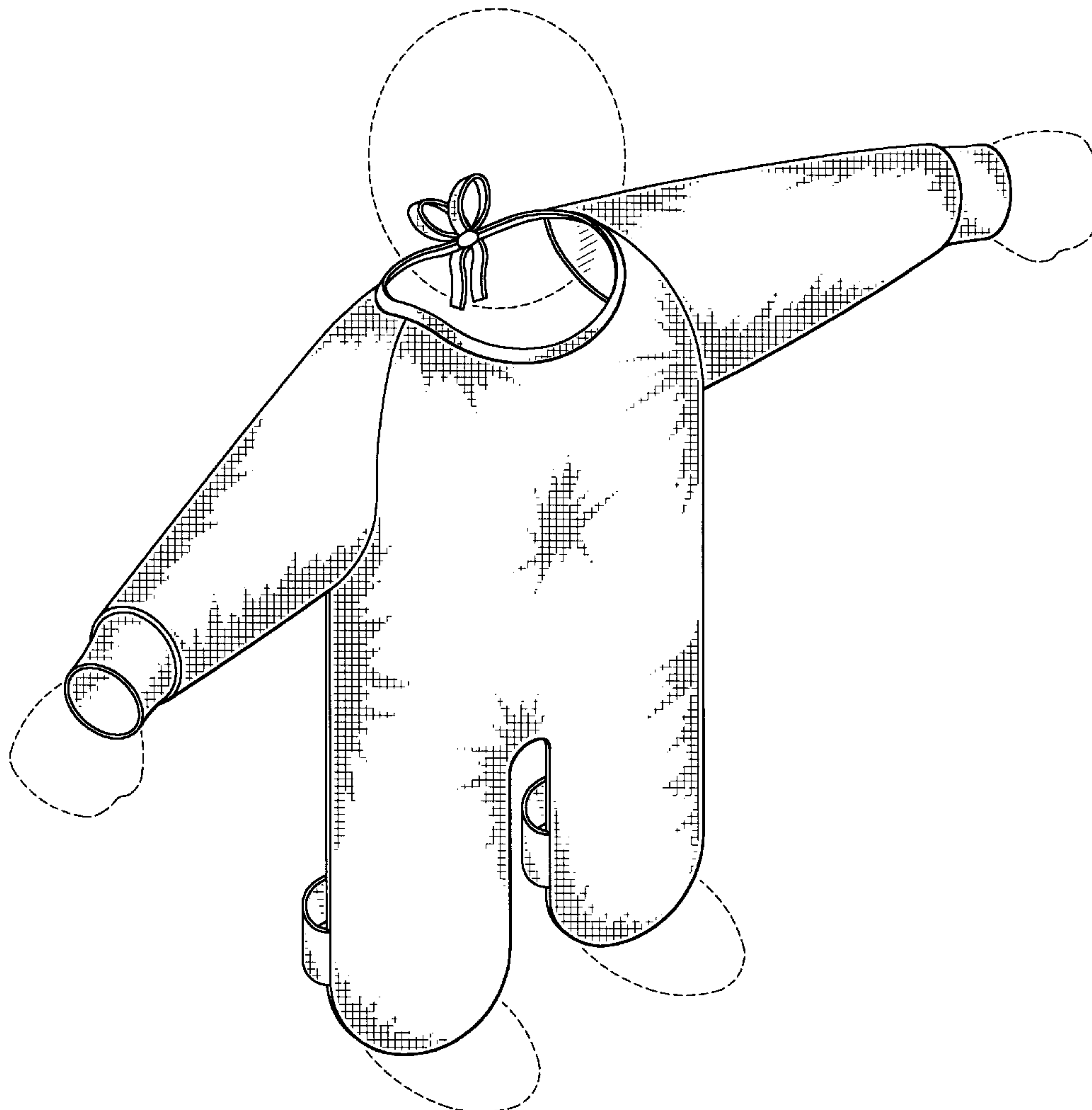
[57] **CLAIM**

The ornamental design for a baby bib, as shown and described.

**DESCRIPTION**

FIG. 1 is a perspective view of a baby bib; FIG. 2 is a front elevational view of a baby bib; and, FIG. 3 is a rear elevational view of a baby bib. The broken line showing of a child's head, hands, and feet, in FIG. 1, is for illustrative purposes only and forms no part of the claimed design.

**1 Claim, 2 Drawing Sheets**



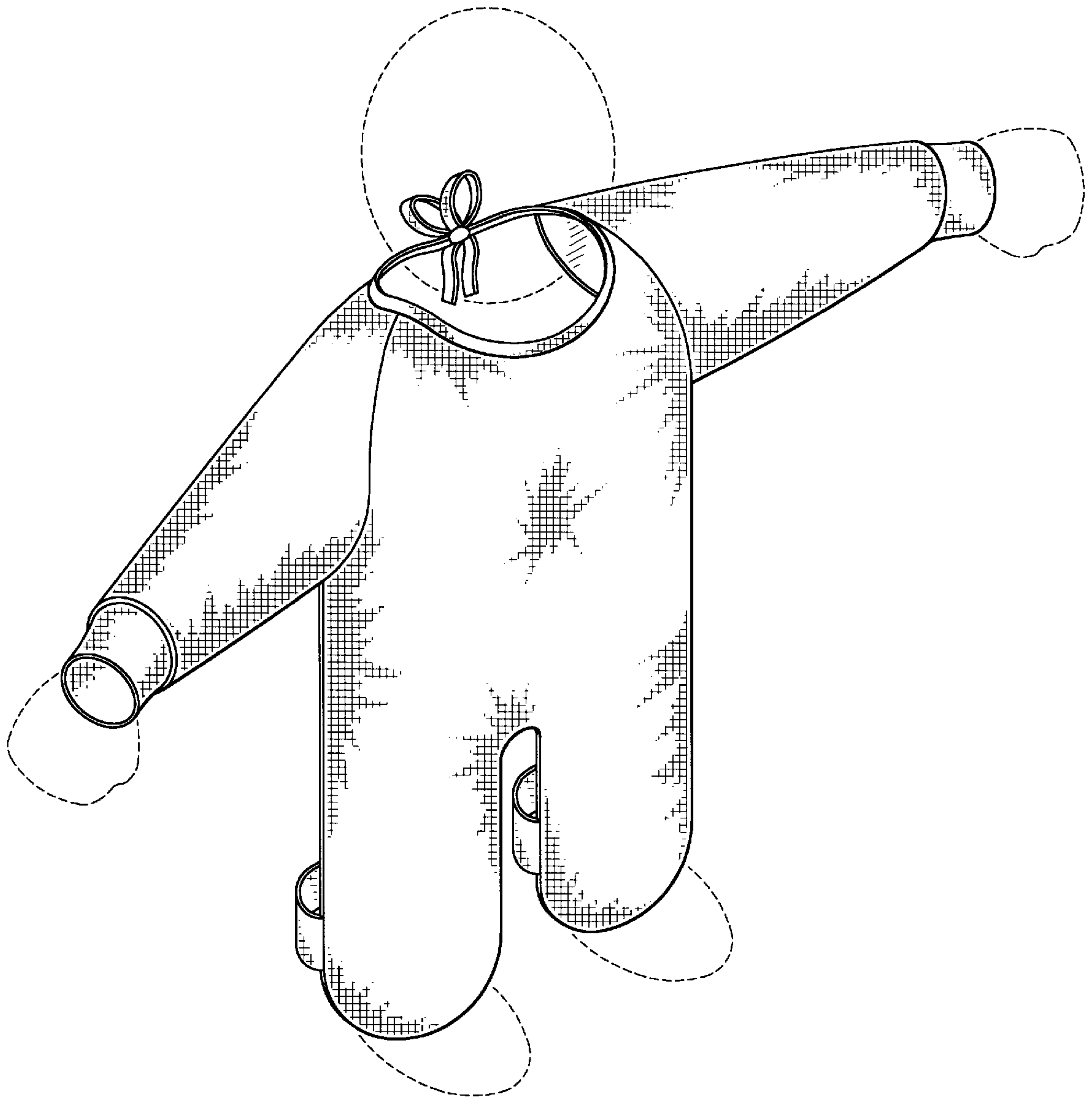


FIG-1

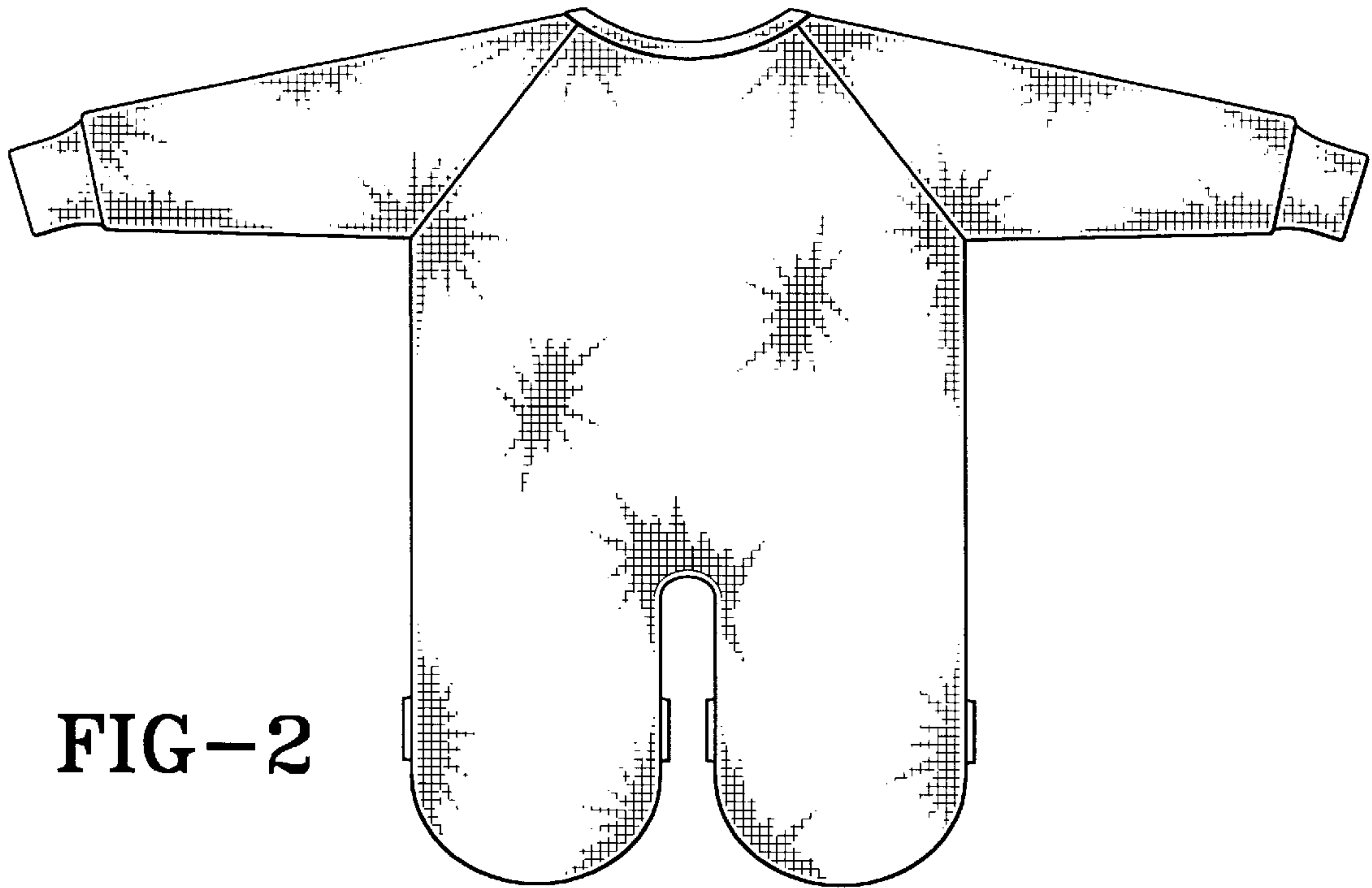


FIG-2

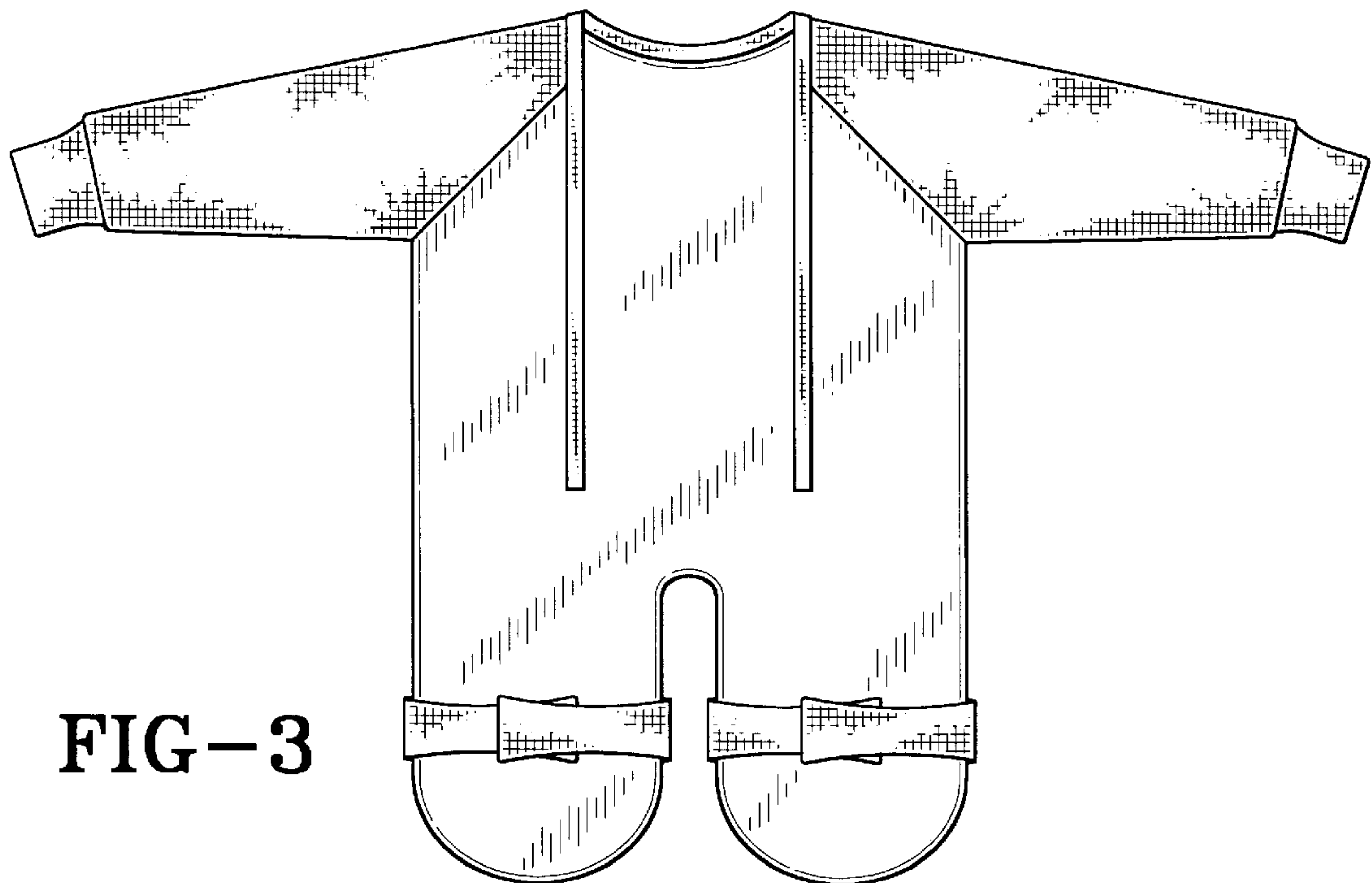


FIG-3