



US00D402081S

United States Patent [19]
Murphy et al.

[11] **Patent Number: Des. 402,081**
[45] **Date of Patent: **Dec. 1, 1998**

[54] **DECORATIVE COMB**

2539599 7/1984 France 132/219
33919 11/1905 Switzerland 132/144

[75] Inventors: **Martha J. Murphy; Antonio P. Pina,**
both of El Paso, Tex.

OTHER PUBLICATIONS

[73] Assignee: **Helen of Troy, L.P.,** El Paso, Tex.

Hong Kong Enterprise Nov. 1981, p. 112—comb indicated
by arrow.

[**] Term: **14 Years**

Hong Kong Enterprise Oct. 1989, p. 7th row from top,
2890N/F31 indicated by arrow.

[21] Appl. No.: **75,087**

Primary Examiner—Sandra L. Morris

[22] Filed: **Aug. 12, 1997**

Assistant Examiner—C Tuttle

[51] **LOC (6) Cl. 28-03**

Attorney, Agent, or Firm—John E. Toupal; Harold G. Jarcho

[52] **U.S. Cl. D28/32; D28/21**

[57] **CLAIM**

[58] **Field of Search** D28/21, 25, 32,
D28/33, 34, 39, 41; 132/273, 275, 219,
105, 144, 148

The ornamental design for a decorative comb, as shown.

DESCRIPTION

[56] **References Cited**

FIG. 1 is a front right perspective view of a decorative comb
showing our new design;

U.S. PATENT DOCUMENTS

FIG. 2 is a rear right perspective view thereof;

D. 50,983	7/1917	Gylywaichuk	D28/33	X
D. 125,309	2/1941	Kahn	D28/21	
D. 139,693	12/1944	Motley	D28/32	
D. 151,753	11/1948	Frickel	D28/21	
673,650	5/1901	Nowacke	132/144	
1,775,209	9/1930	Oppenheim	132/105	

FIG. 3 is a top view thereof;

FIG. 4 is a bottom view thereof;

FIG. 5 is a front view thereof;

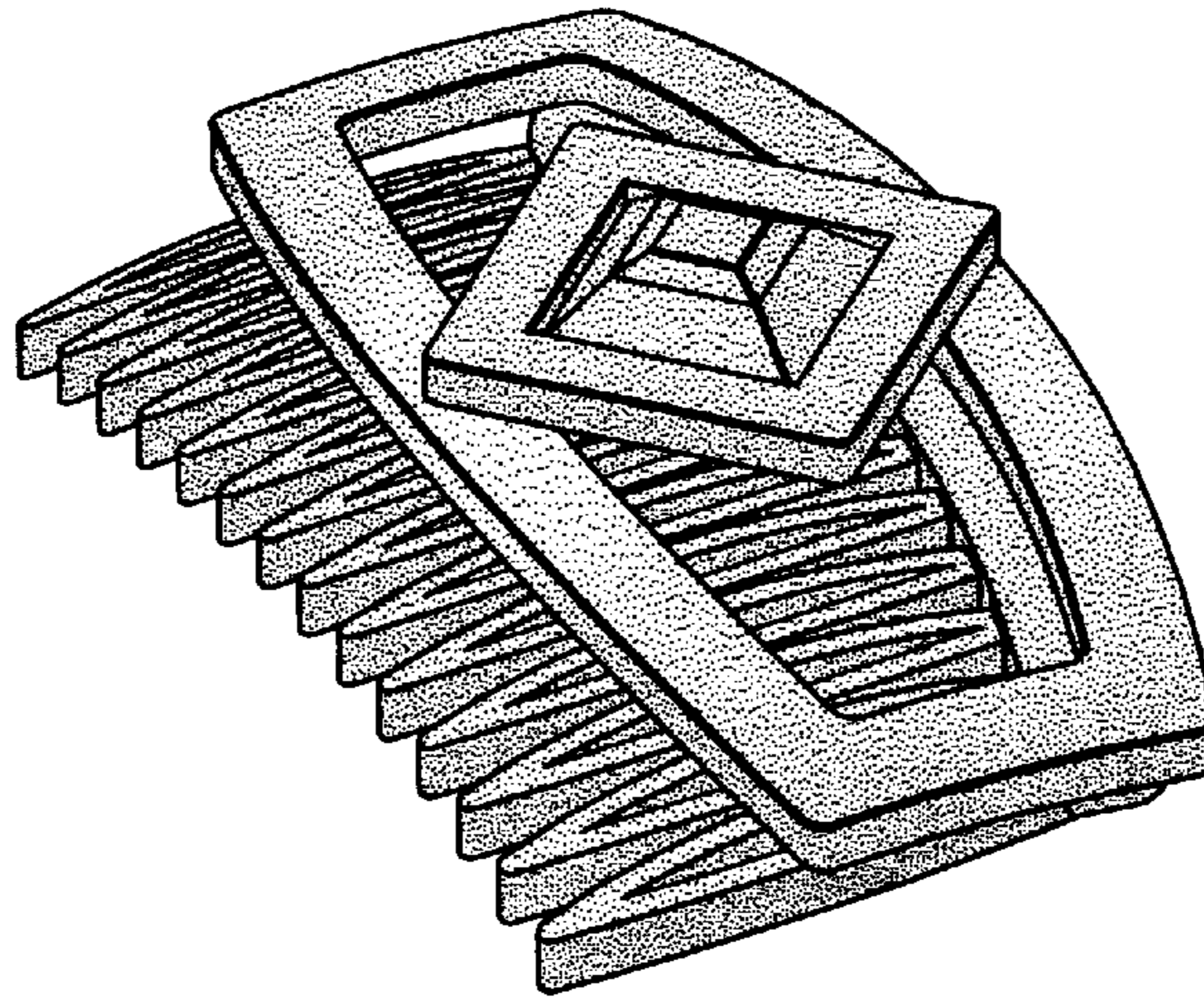
FIG. 6 is a rear view thereof; and,

FIG. 7 is a right side view thereof.

FOREIGN PATENT DOCUMENTS

598281	9/1925	France	132/144	
--------	--------	--------	-------	---------	--

1 Claim, 3 Drawing Sheets



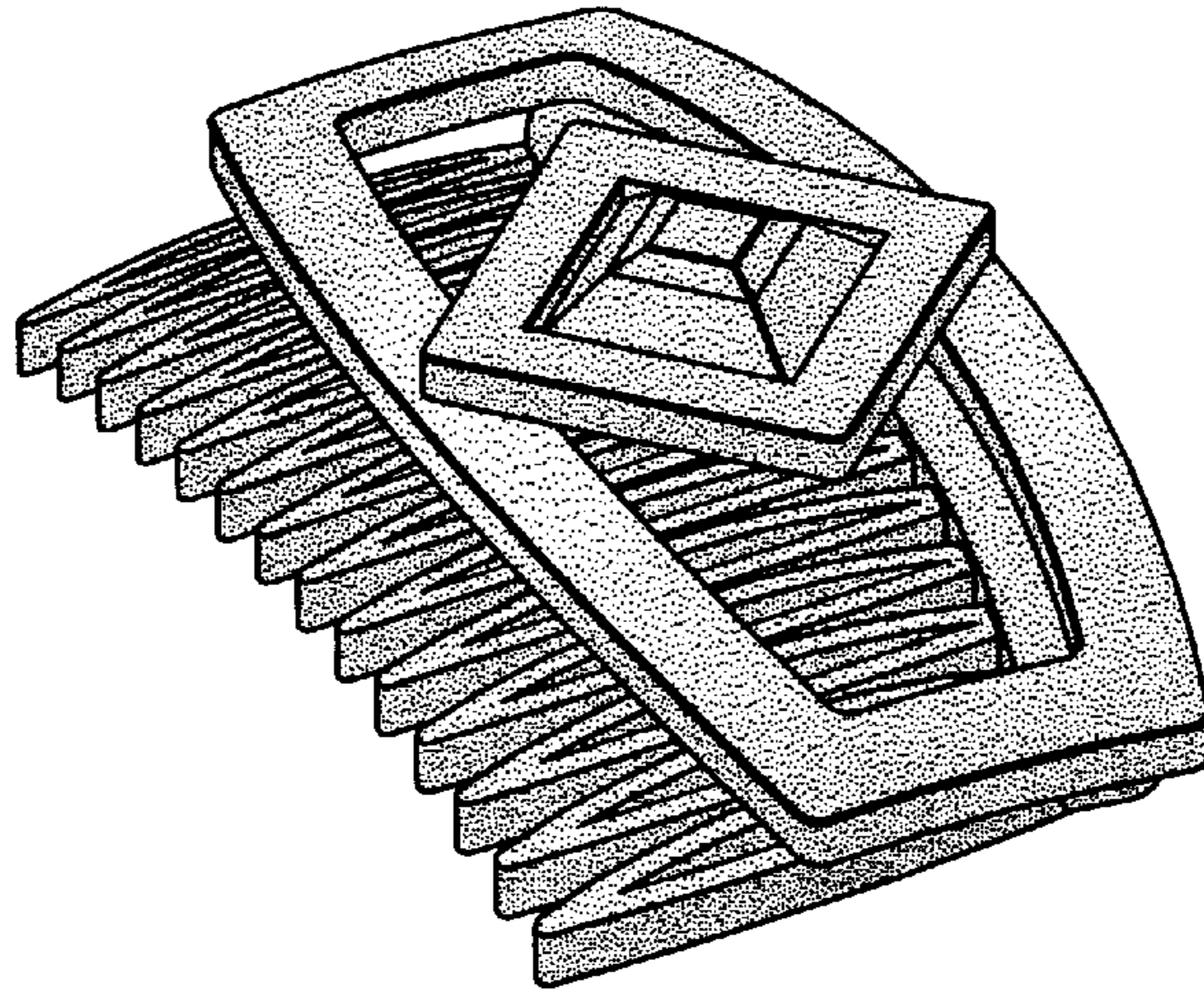


FIG. 1

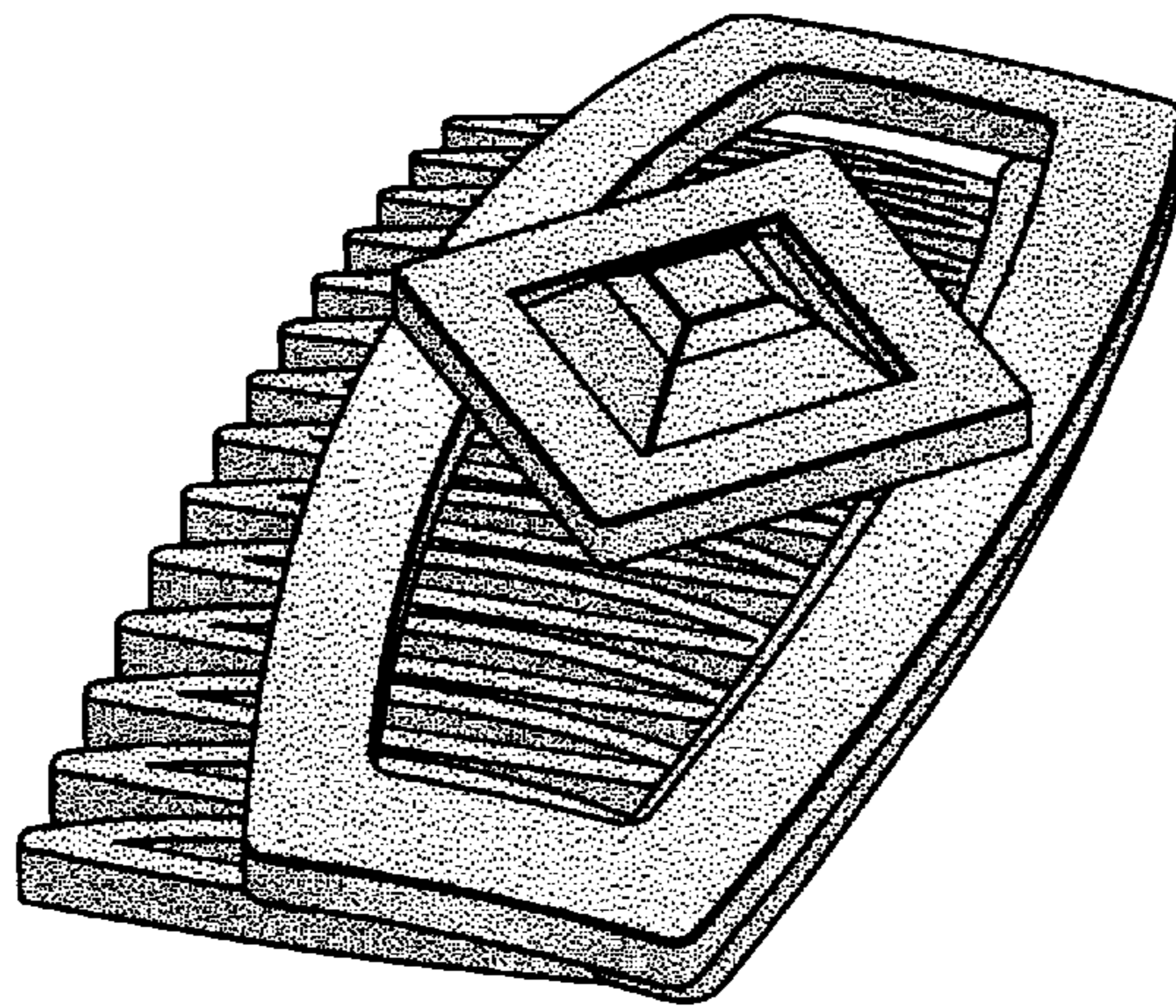


FIG. 2

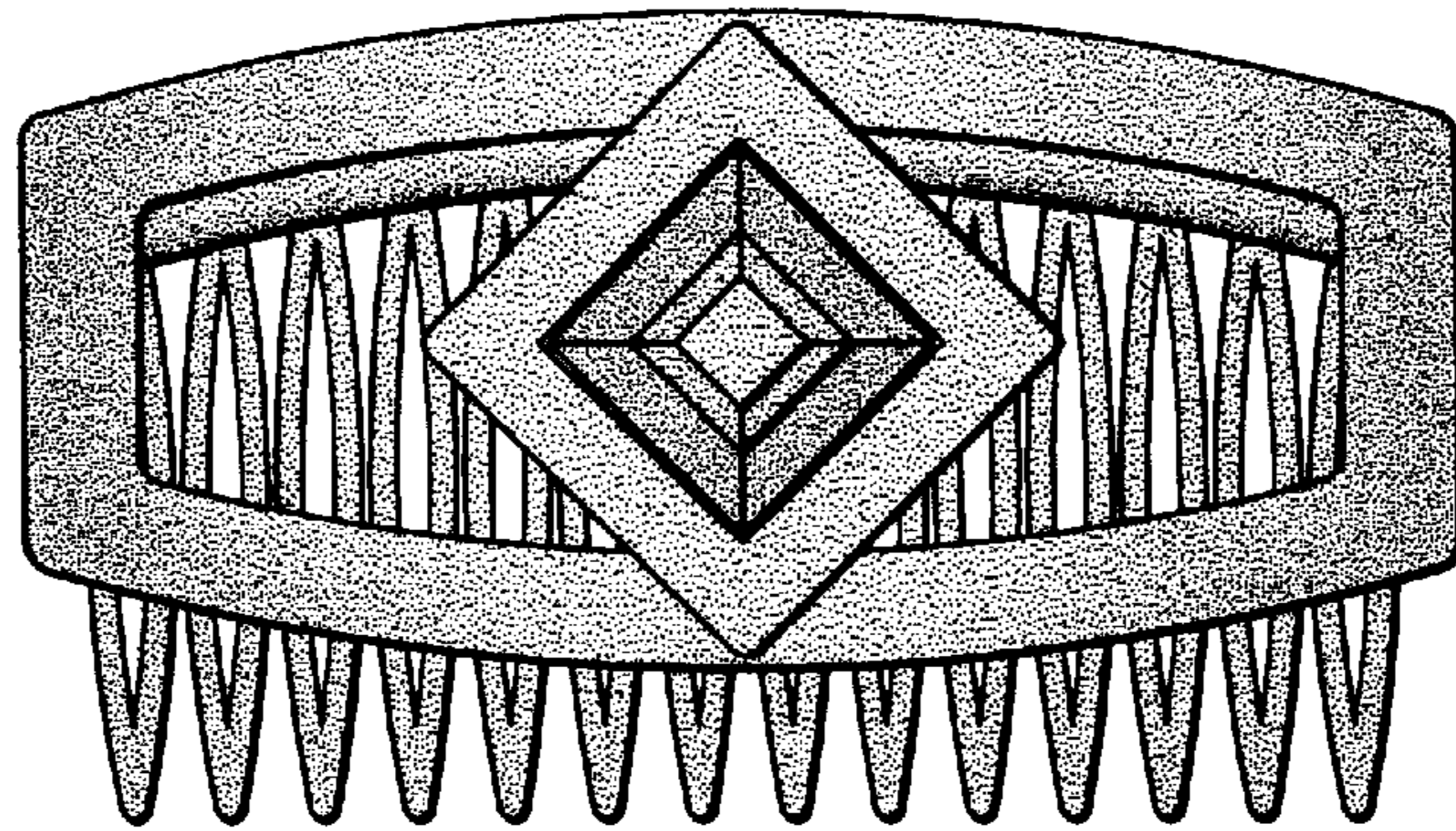


FIG. 3

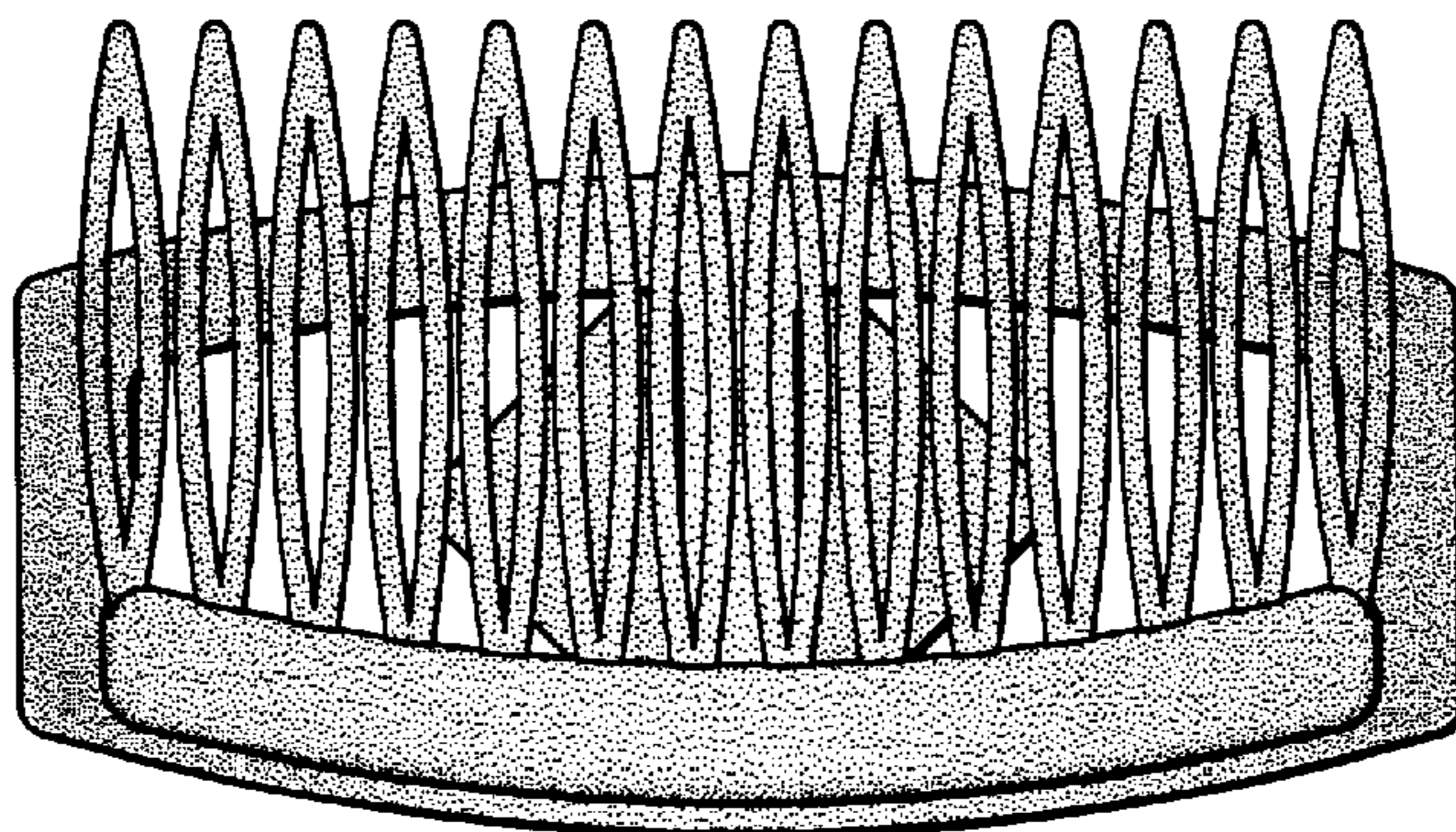


FIG. 4

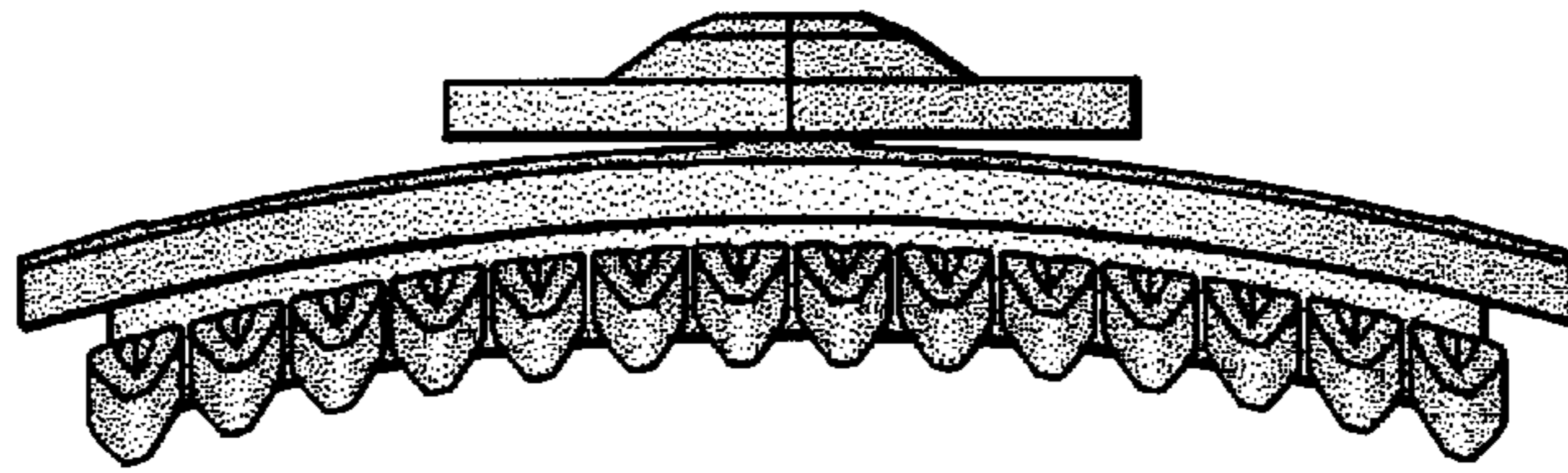


FIG. 5

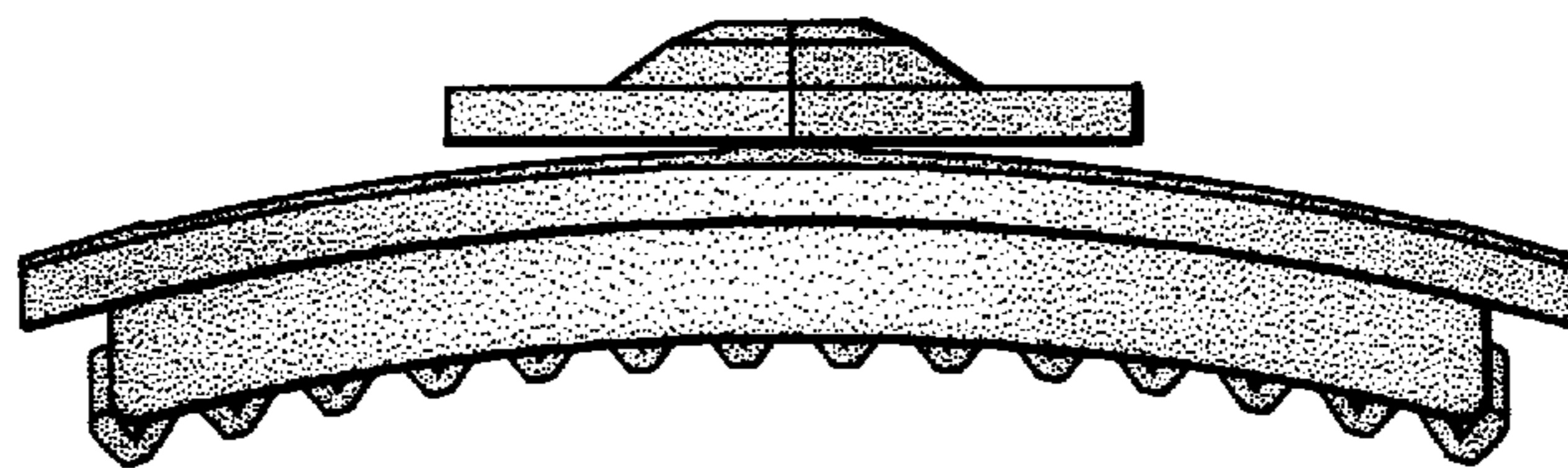


FIG. 6

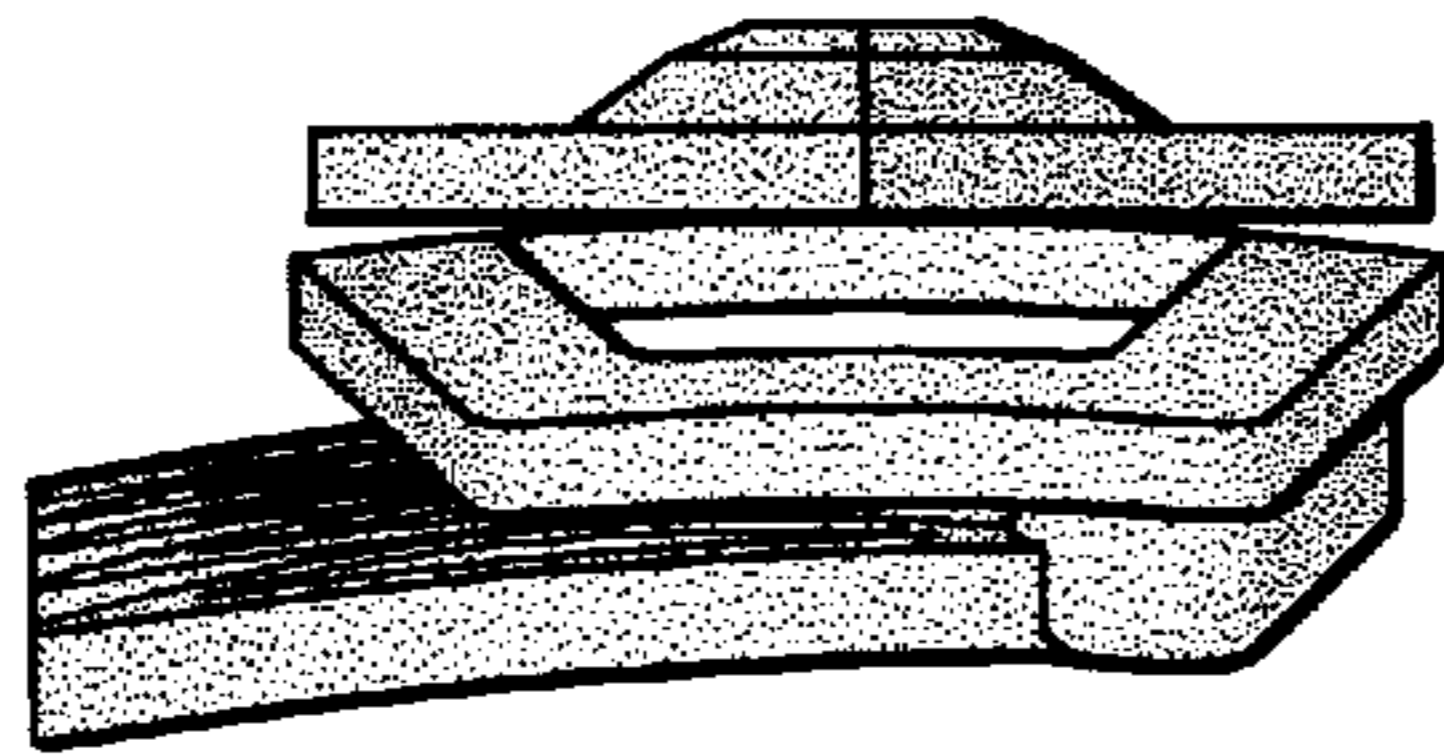


FIG. 7