



US00D402078S

United States Patent [19]

Fleischhauer et al.

[11] Patent Number: Des. 402,078

[45] Date of Patent: **Dec. 1, 1998

[54] REMOVABLE HEATER FOR TOBACCO
USER'S APPLIANCE

[75] Inventors: Grier Fleischhauer, Midlothian;
Richard E. Jones, Chesterfield, both of
Va.

[73] Assignee: Philip Morris Incorporated, New
York, N.Y.

[**] Term: 14 Years

[21] Appl. No.: 66,830

[22] Filed: Feb. 25, 1997

[51] LOC (6) Cl. 27-99

[52] U.S. Cl. D27/194

[58] Field of Search 131/194, 185,
131/161; 219/535, 539, 553, 546, 547;
338/310; D27/194, 193, 161; D13/127,
123, 144, 133, 101, 103, 112

[56] References Cited

U.S. PATENT DOCUMENTS

- D. 235,195 5/1975 Rubel D13/144
- D. 346,878 5/1994 Gee et al. .
- D. 347,490 5/1994 Gee et al. .
- D. 351,043 9/1994 Parker et al. .
- D. 368,552 4/1996 Adams .

- 4,276,892 7/1981 Iaquina 131/185
- 5,388,594 2/1995 Counts et al. .
- 5,479,948 1/1996 Counts et al. .
- 5,505,214 4/1996 Collins et al. .
- 5,530,225 6/1996 Hajaligol .
- 5,564,442 10/1996 MacDonald et al. .
- 5,591,367 1/1997 Schwarzkopf 219/535
- 5,591,368 1/1997 Fleischhauer et al. .
- 5,708,258 1/1998 Counts et al. 219/535

Primary Examiner—Susan J. Lucas
Assistant Examiner—Jennifer Rivard
Attorney, Agent, or Firm—Burns, Doane, Swecker &
Mathis, LLP

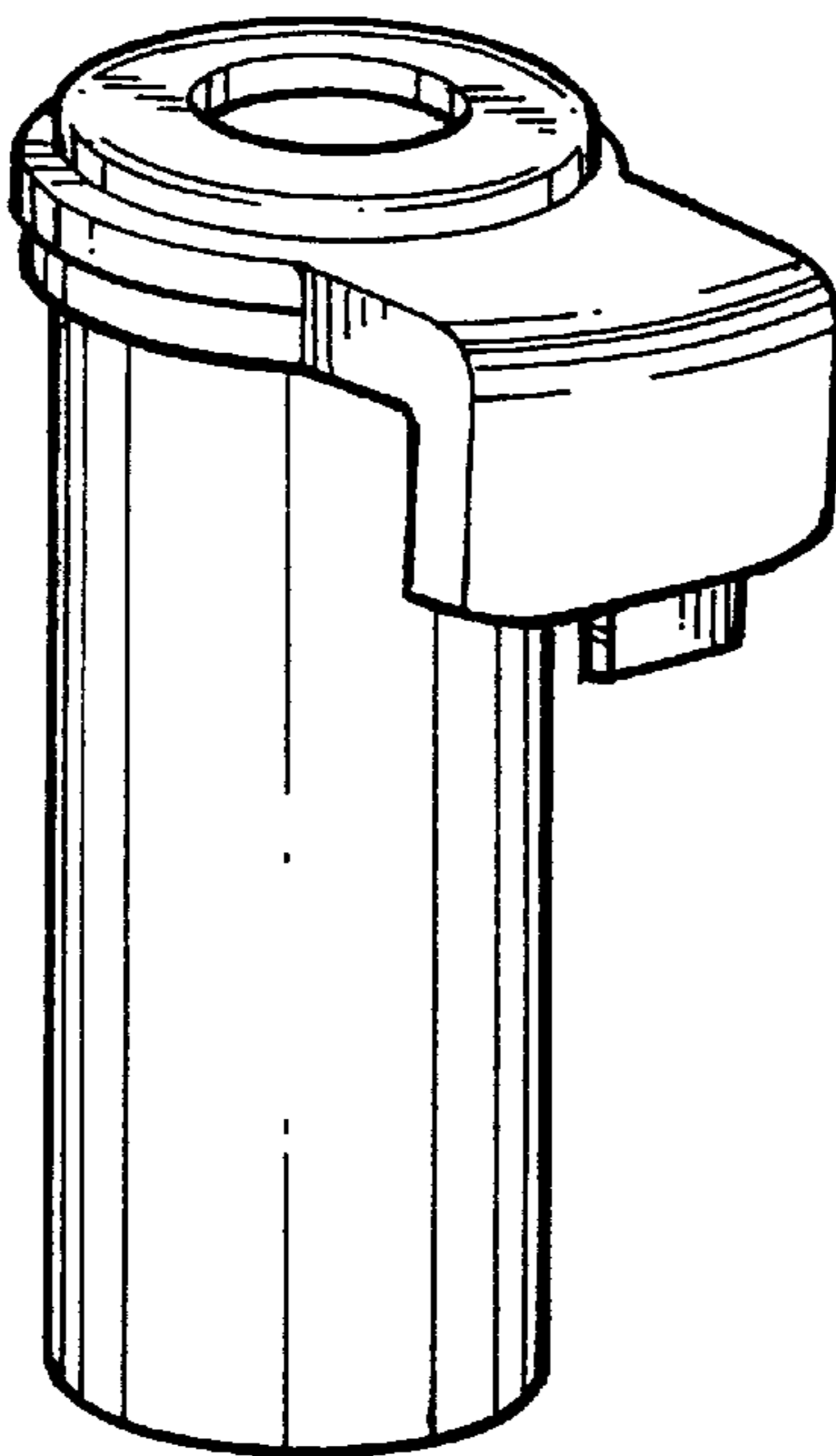
[57] CLAIM

We claim the ornamental design for the removable heater for tobacco user's appliance, as shown and described.

DESCRIPTION

FIG. 1 is a front elevational view of the removable heater for tobacco user's appliance incorporating my/our new design; FIG. 2 is a rear elevational view thereof; FIG. 3 is a left side elevational view thereof; FIG. 4 is a right side elevational view thereof; FIG. 5 is a top plan view thereof; FIG. 6 is a bottom plan view thereof; and, FIG. 7 is a right, rear, top perspective view thereof.

1 Claim, 2 Drawing Sheets



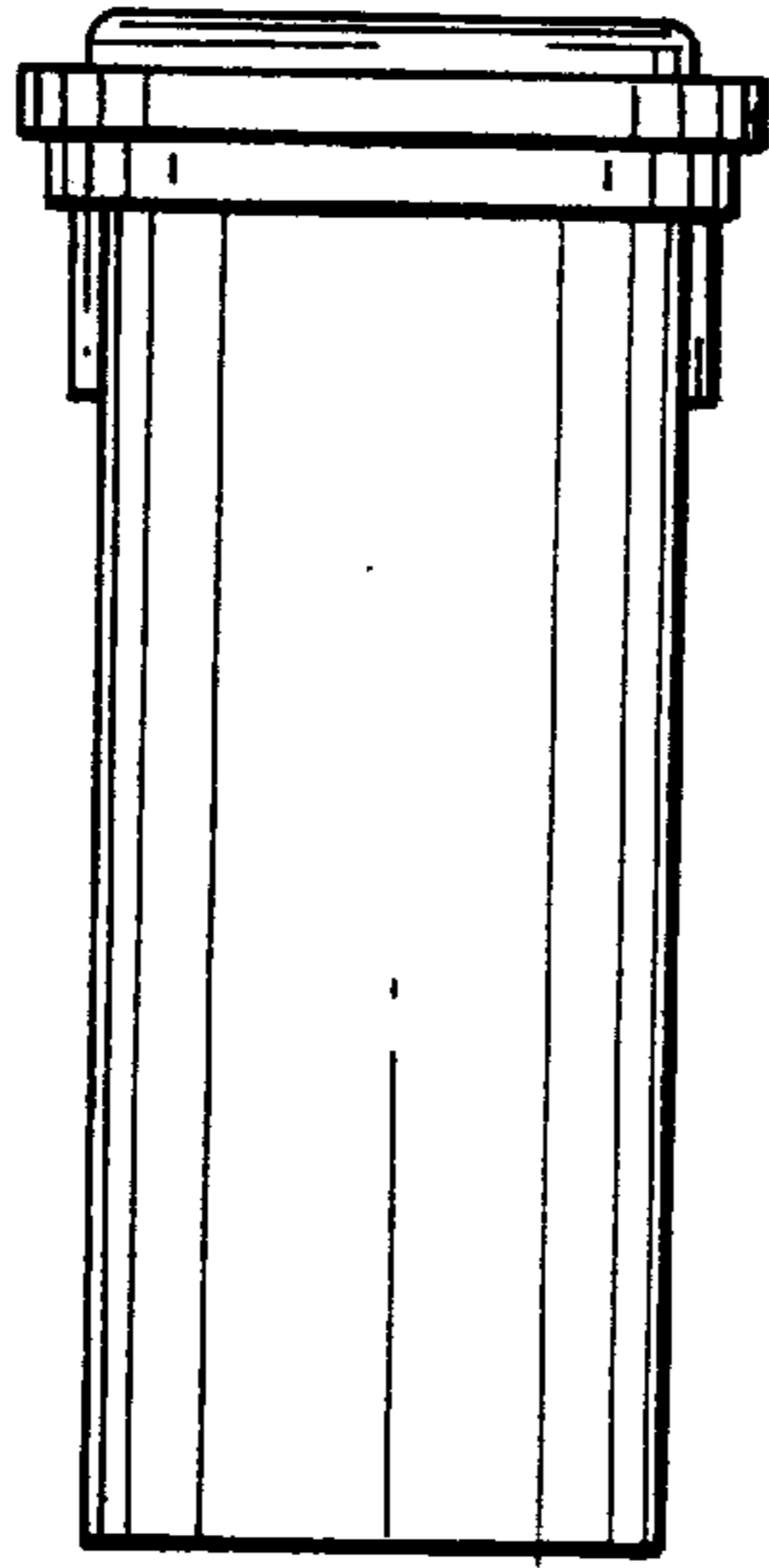


FIG. 1

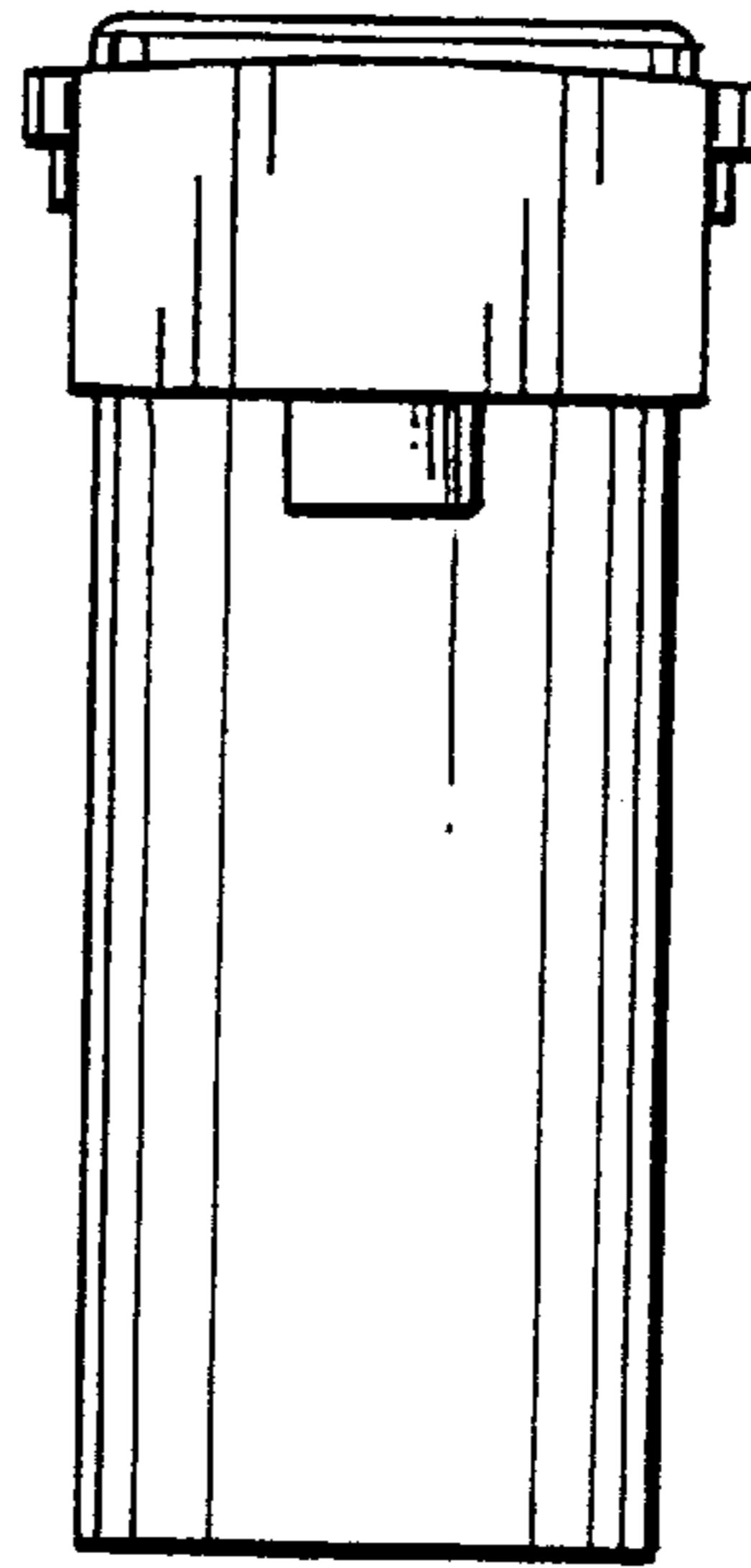


FIG. 2

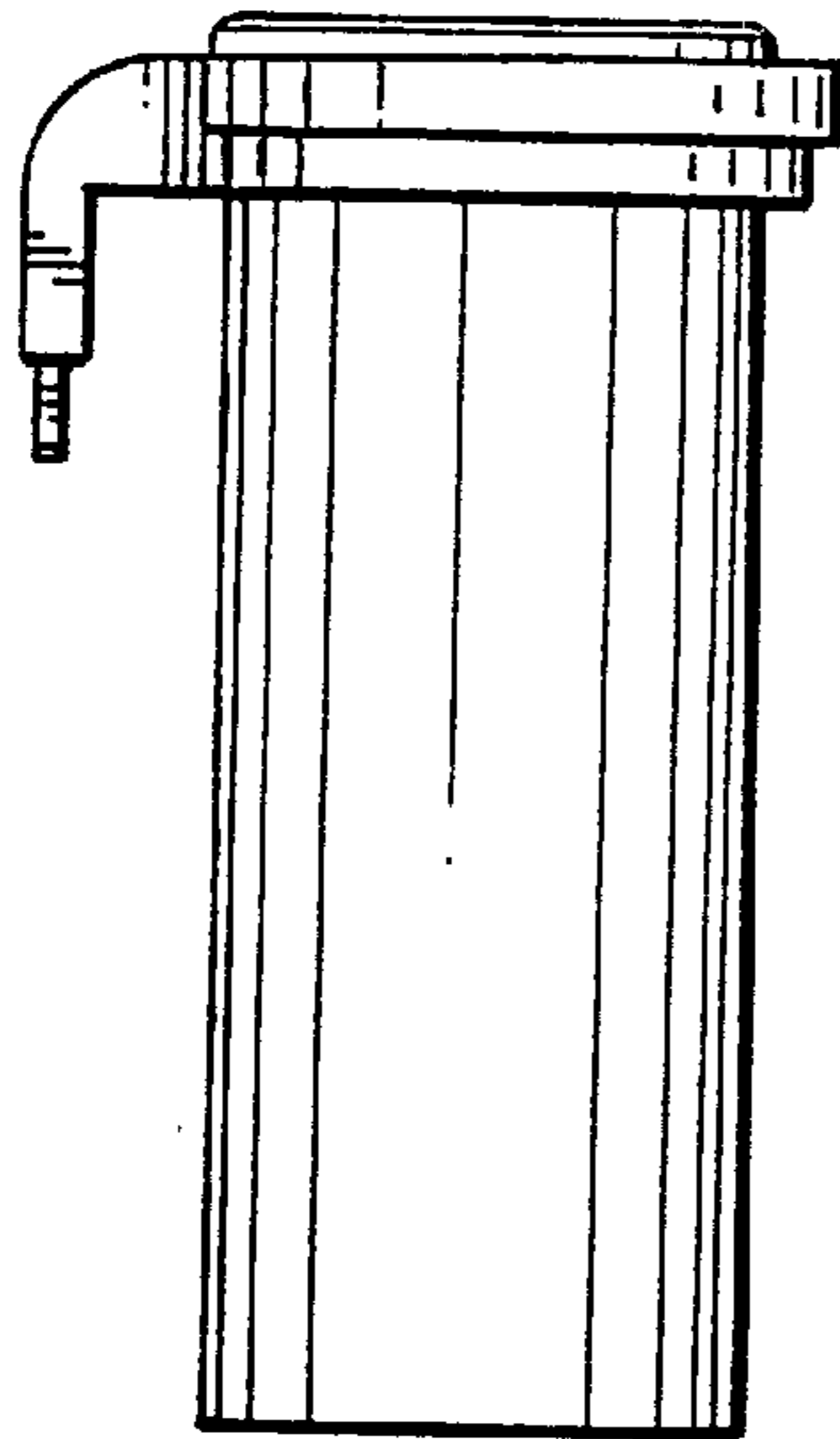


FIG. 3

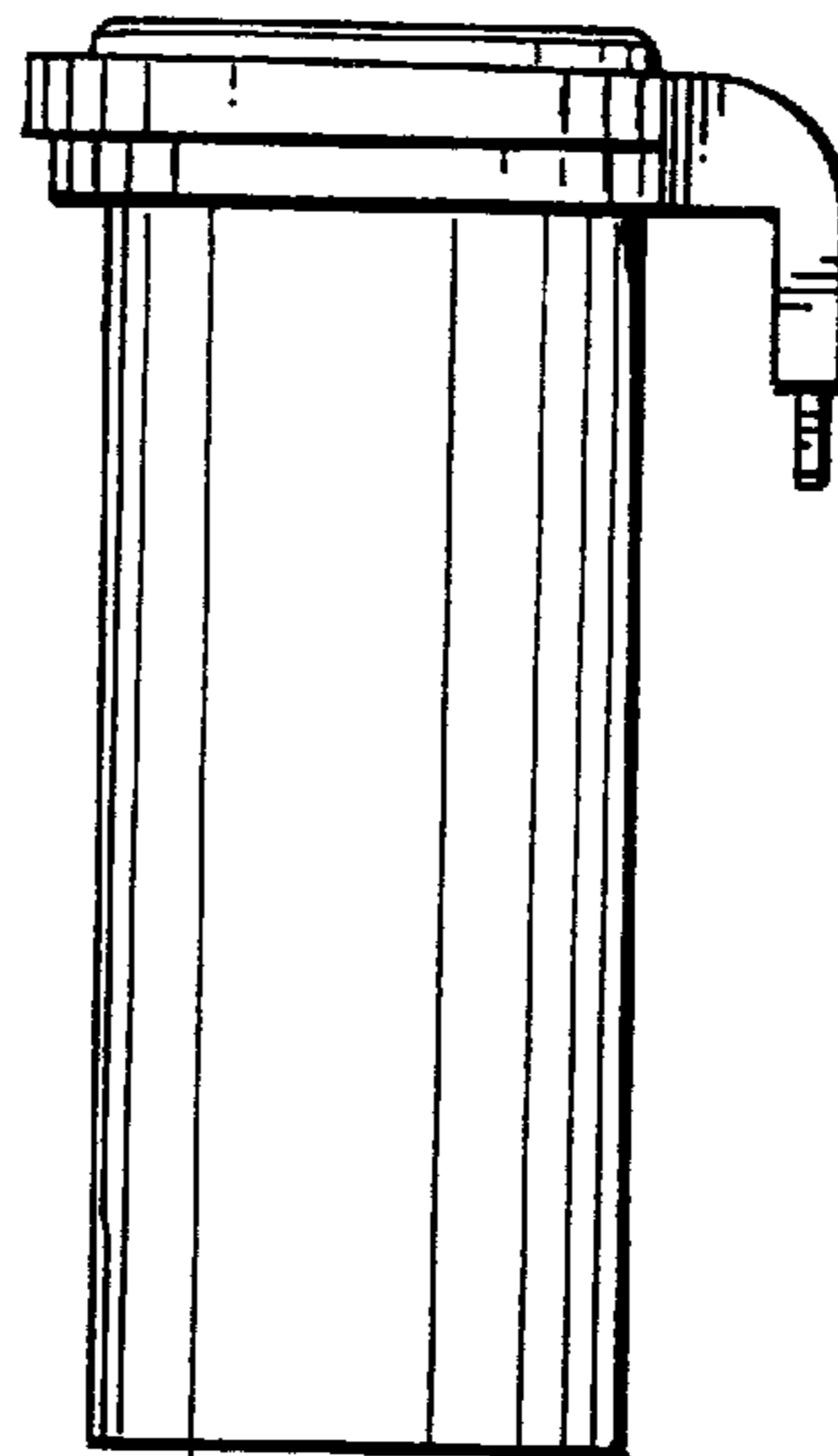


FIG. 4

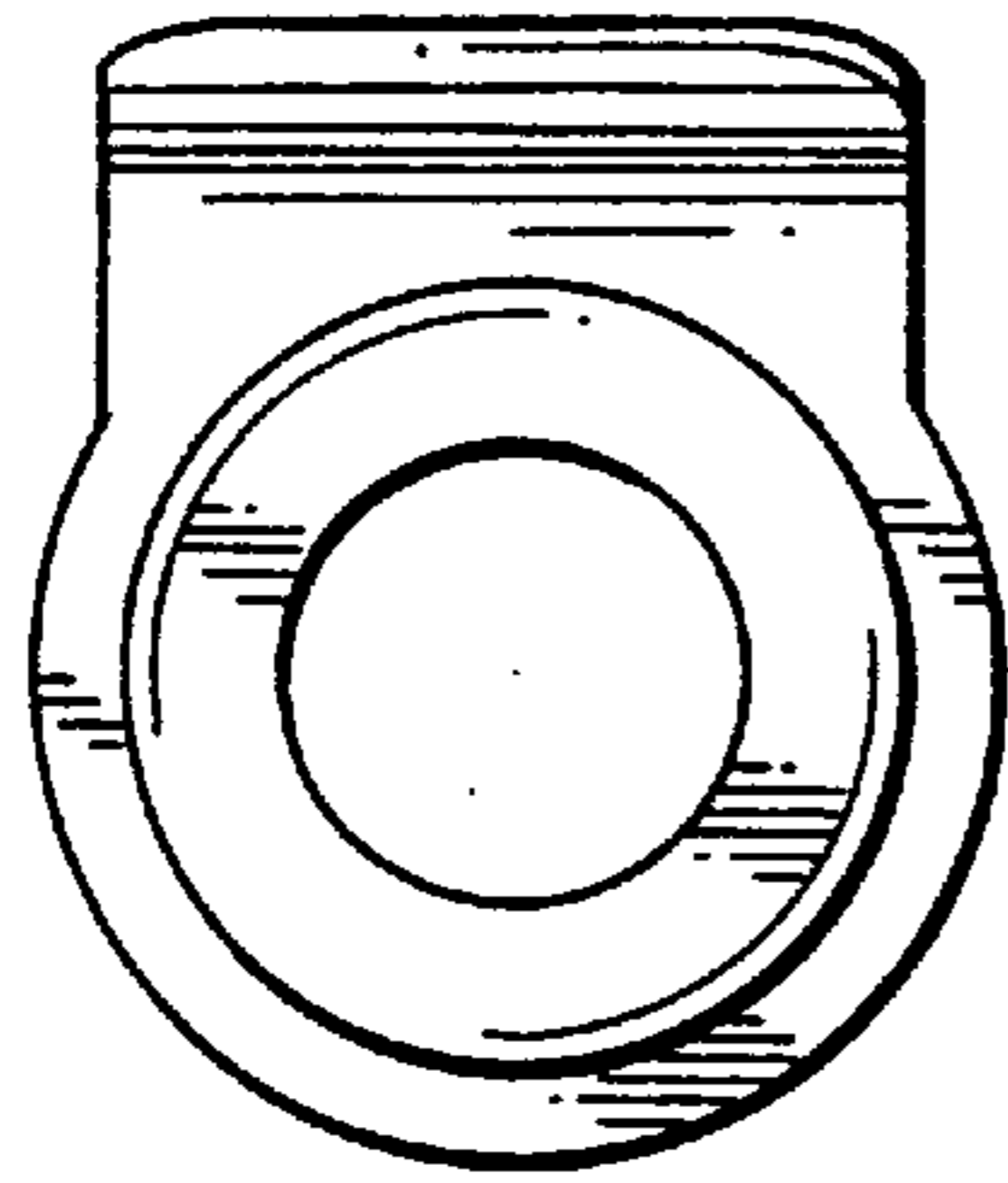


FIG. 5

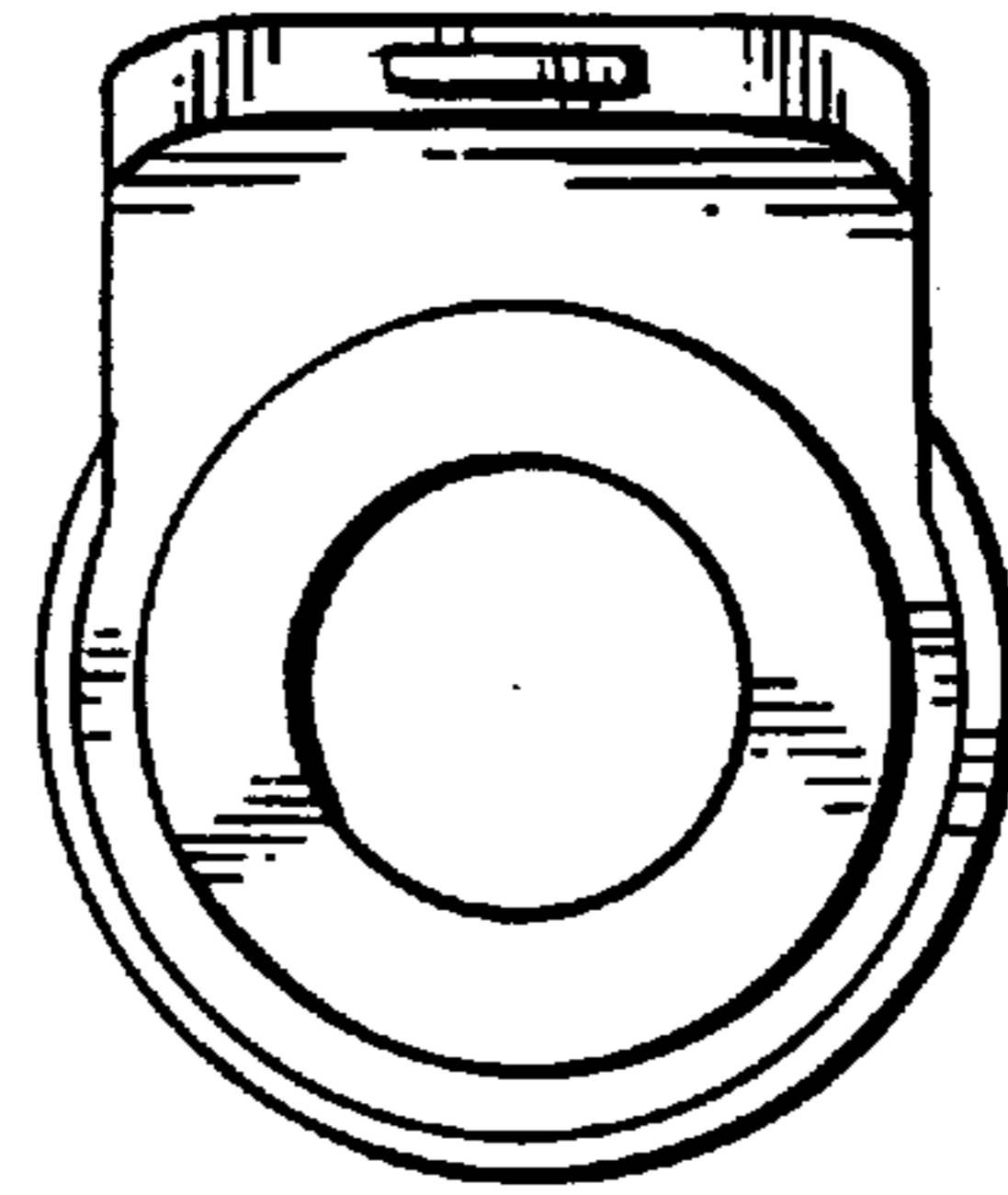


FIG. 6

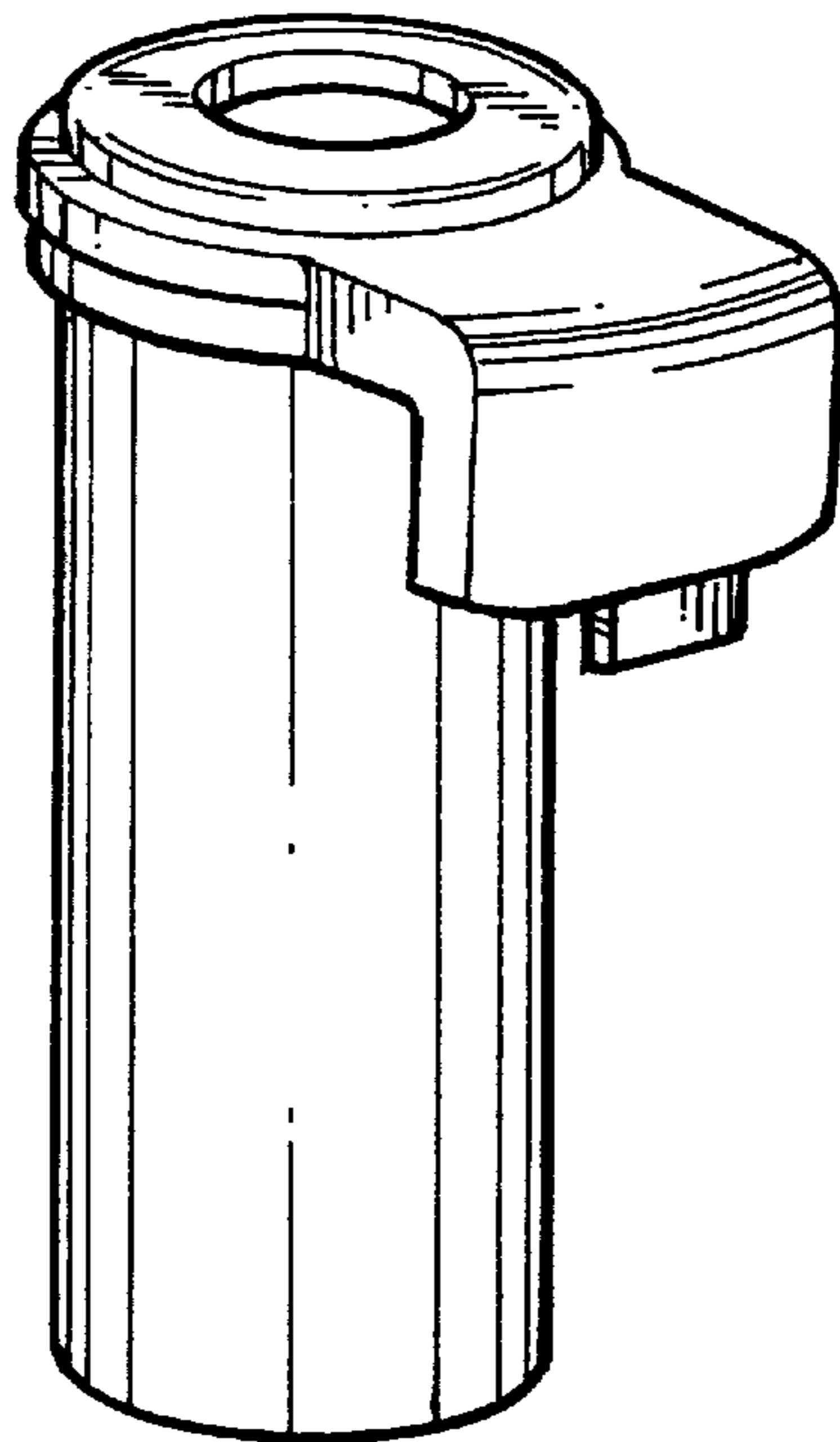


FIG. 7