



US00D402077S

# United States Patent [19] Frye

[11] **Patent Number: Des. 402,077**

[45] **Date of Patent: \*\*Dec. 1, 1998**

[54] **AUTOMOBILE CIGARETTE LIGHTER PIPE**

[75] Inventor: **Jason Richard Frye**, Valley Village, Calif.

[73] Assignee: **Fish Head Enterprises, Inc.**, North Hollywood, Calif.

[\*\*] Term: **14 Years**

[21] Appl. No.: **75,111**

[22] Filed: **Aug. 5, 1997**

### Related U.S. Application Data

[62] Division of Ser. No. 52,331, Mar. 27, 1996, Pat. No. Des. 384,435.

[51] **LOC (6) Cl.** ..... **27-02**

[52] **U.S. Cl.** ..... **D27/165; D27/148**

[58] **Field of Search** ..... D27/163, 165, D27/164, 167, 139, 141, 142, 148; 131/330, 329, 185, 178, 193; 439/668, 669, 253, 255; 219/260, 267

### [56] References Cited

#### U.S. PATENT DOCUMENTS

D. 298,778 11/1988 Honjo ..... D27/141

D. 384,435	9/1997	Frye	.....	D27/148
2,117,232	5/1938	Cohen	.....	131/185 X
2,866,924	12/1958	Delpidio	.....	219/260
4,527,571	7/1985	Djukie	.....	131/178 X
4,574,161	3/1986	Spector	.....	219/260 X
5,470,226	11/1995	Pearl, II et al.	.....	431/255

*Primary Examiner*—Susan J. Lucas  
*Assistant Examiner*—Jennifer Rivard  
*Attorney, Agent, or Firm*—Lawrence S. Cohen

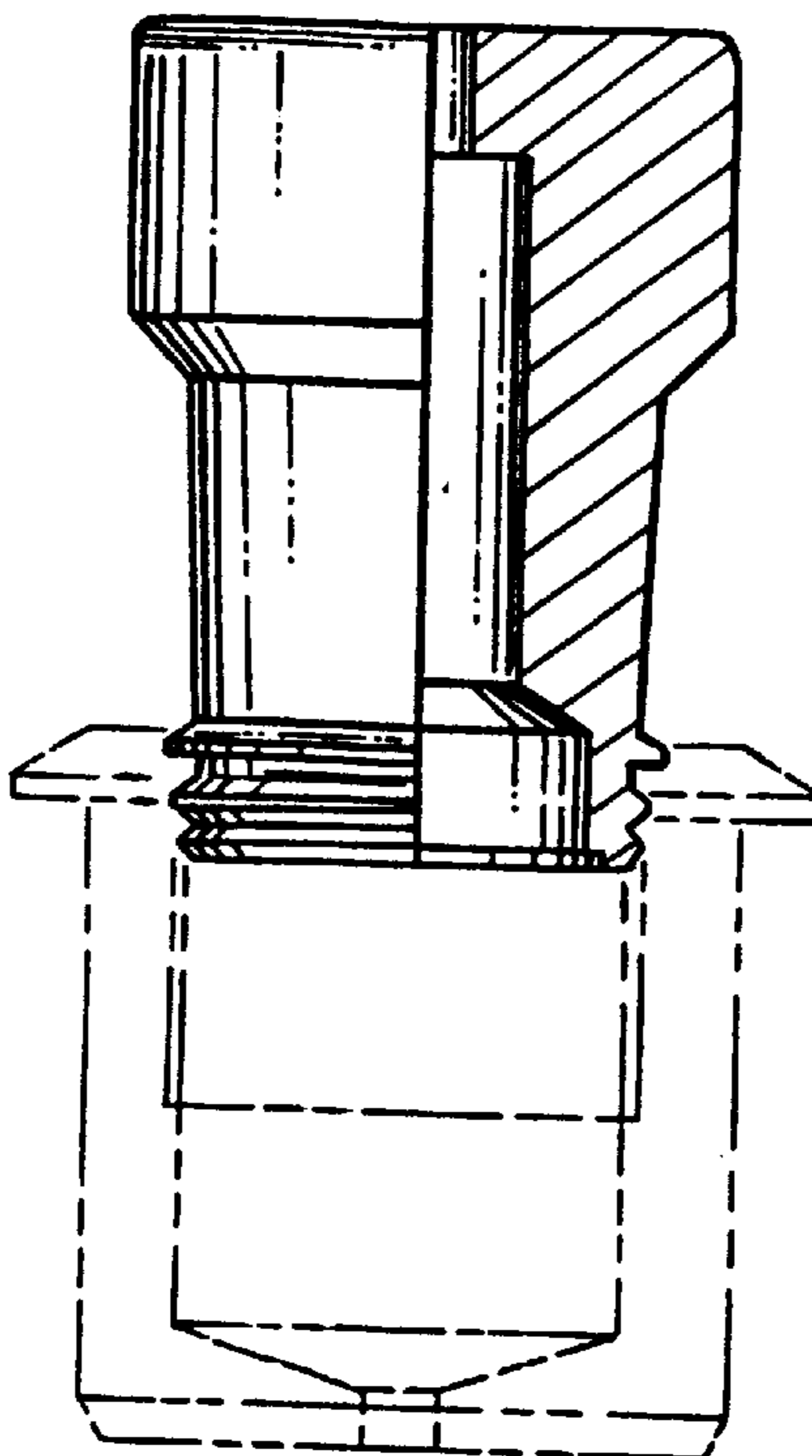
### [57] CLAIM

The ornamental design for an automobile cigarette lighter pipe, as shown and described.

### DESCRIPTION

FIG. 1 is a top view of the new design;  
FIG. 2 is a right side view of the new design, all sides being identical; and,  
FIG. 3 is a bottom view of the new design.  
The broken lines are shown for illustrative purposes only and form no part of the claimed design.

**1 Claim, 1 Drawing Sheet**



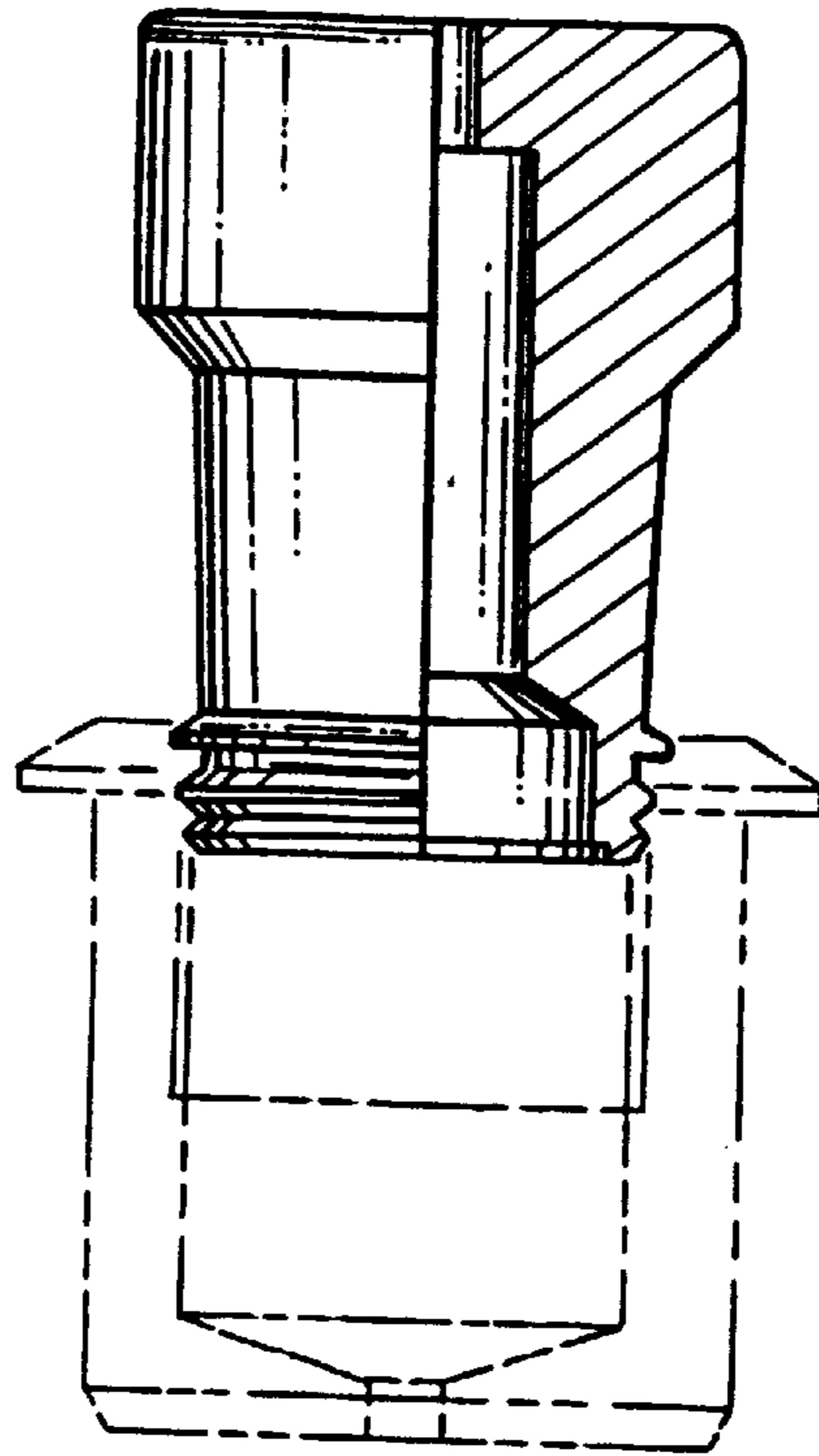


FIG. 2

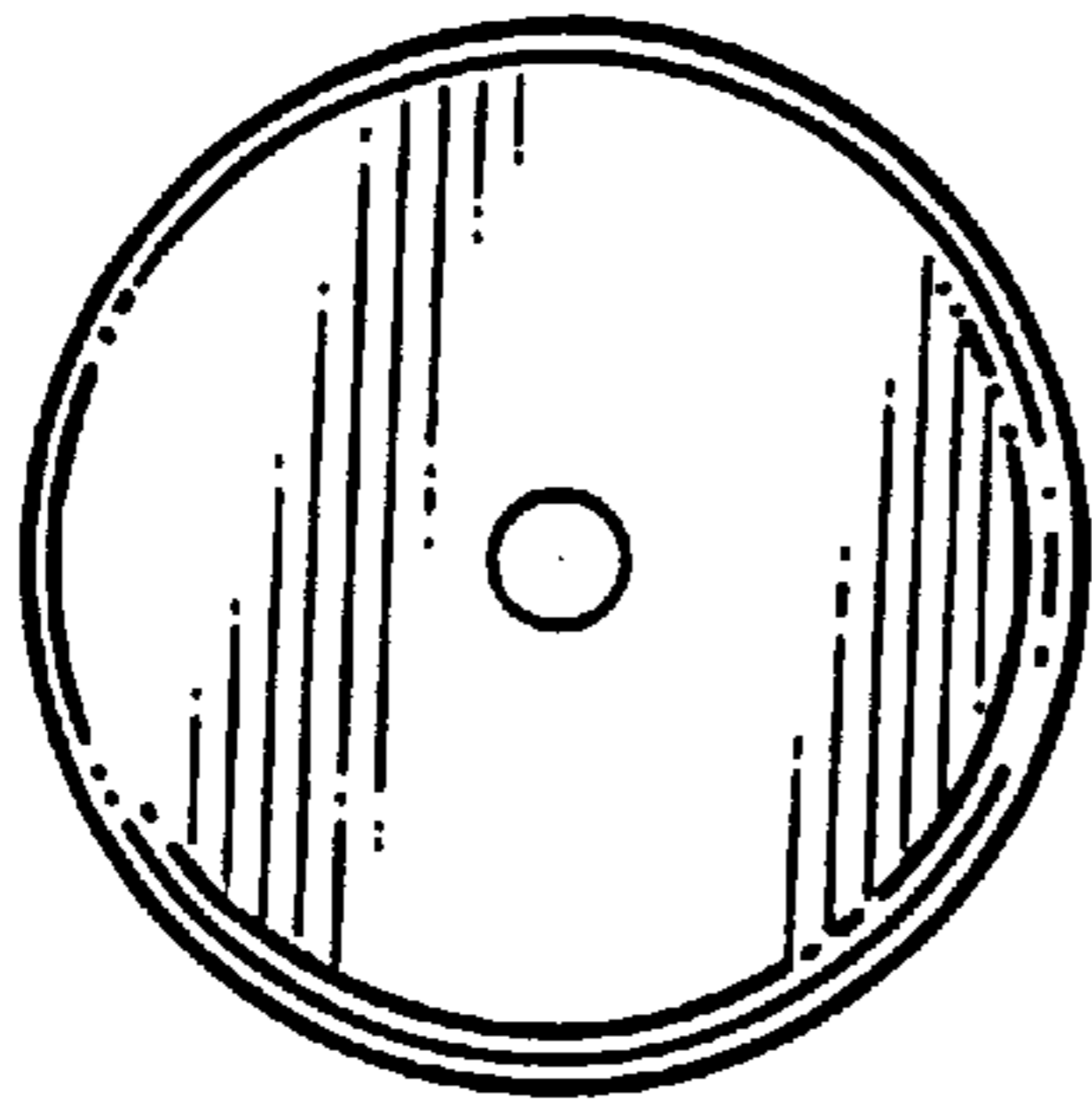


FIG. 1

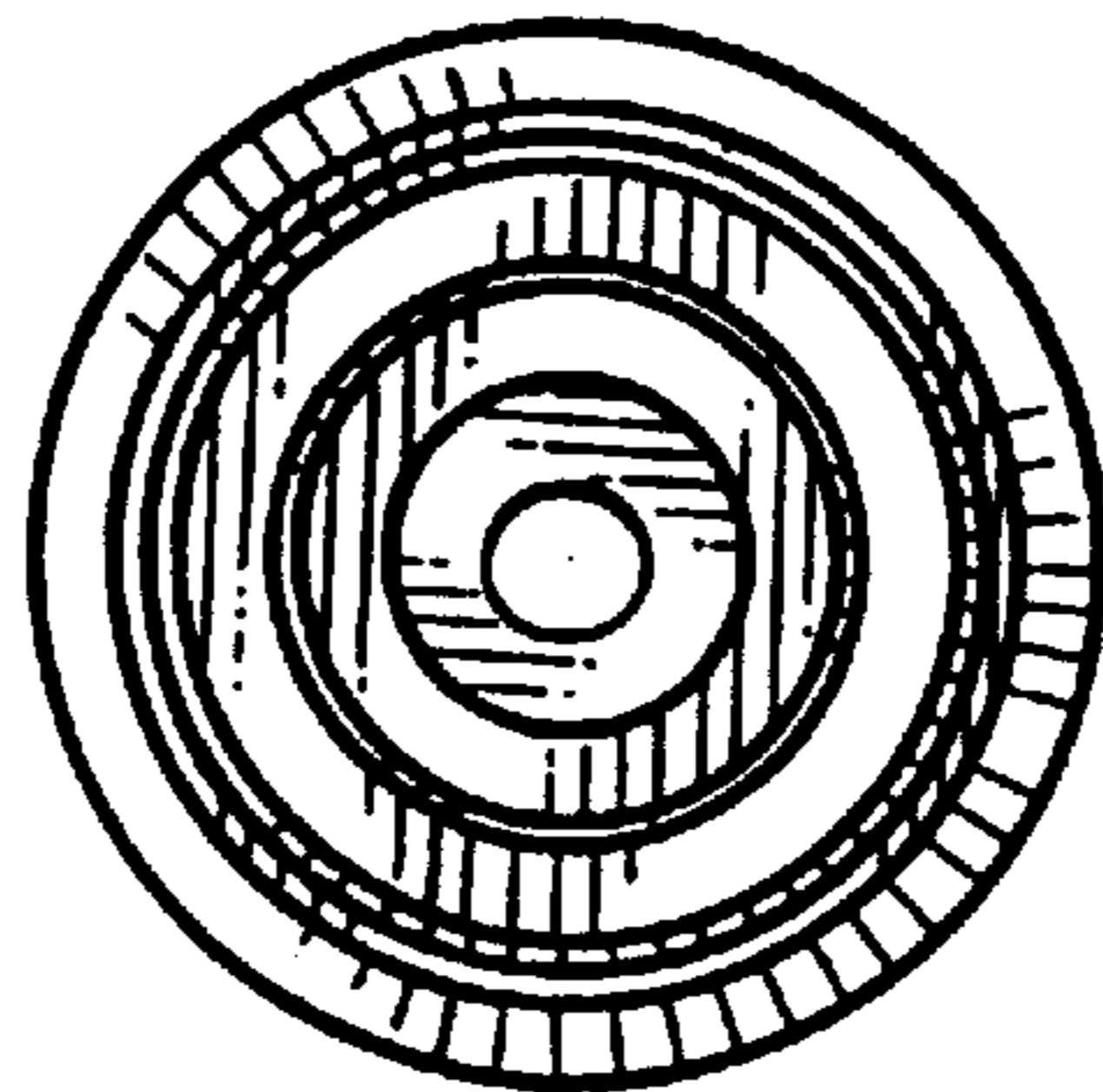


FIG. 3