



US00D402075S

United States Patent [19]

Hudak et al.

[11] Patent Number: **Des. 402,075**

[45] Date of Patent: ****Dec. 1, 1998**

[54] **PARKING GARAGE LIGHTING FIXTURE**

[75] Inventors: **Joseph Christopher Hudak; Scott David Wegner; Kenneth Marion Bowen; Kevin F. Leadford**, all of Crawfordsville, Ind.

[73] Assignee: **National Service Industries, Inc.**, Atlanta, Ga.

[**] Term: **14 Years**

[21] Appl. No.: **84,412**

[22] Filed: **Mar. 2, 1998**

[51] **LOC (6) Cl.** **26-05**

[52] **U.S. Cl.** **D26/88**

[58] **Field of Search** D26/72, 80-92, D26/67-71; 362/147, 431, 432, 404, 310, 311, 362, 363, 343, 367

[56] **References Cited**

U.S. PATENT DOCUMENTS

D. 128,125	7/1941	Rutledge	D26/24
D. 354,580	1/1995	Fouke et al.	D26/88
2,456,166	12/1948	Arenberg	362/311 X
3,200,371	8/1965	Olsen	362/343 X
3,329,812	7/1967	Harling	362/310 X
4,068,931	1/1978	Weaks	362/343 X
4,088,883	5/1978	Dey	362/343 X
4,320,949	3/1982	Pagano	362/363 X

5,673,997 10/1997 Akiyama 362/147

Primary Examiner—Susan J. Lucas
Attorney, Agent, or Firm—Kenneth E. Darnell

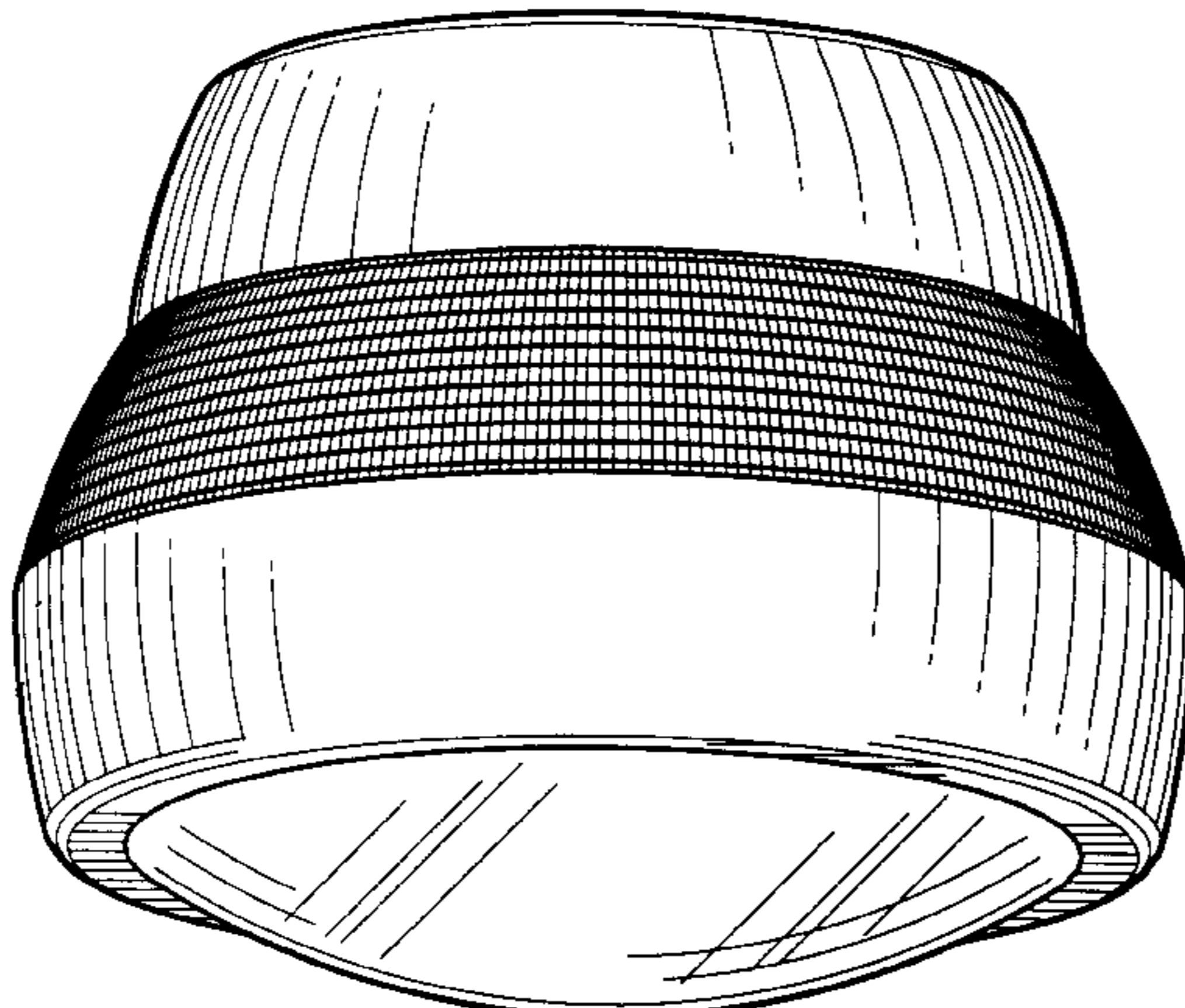
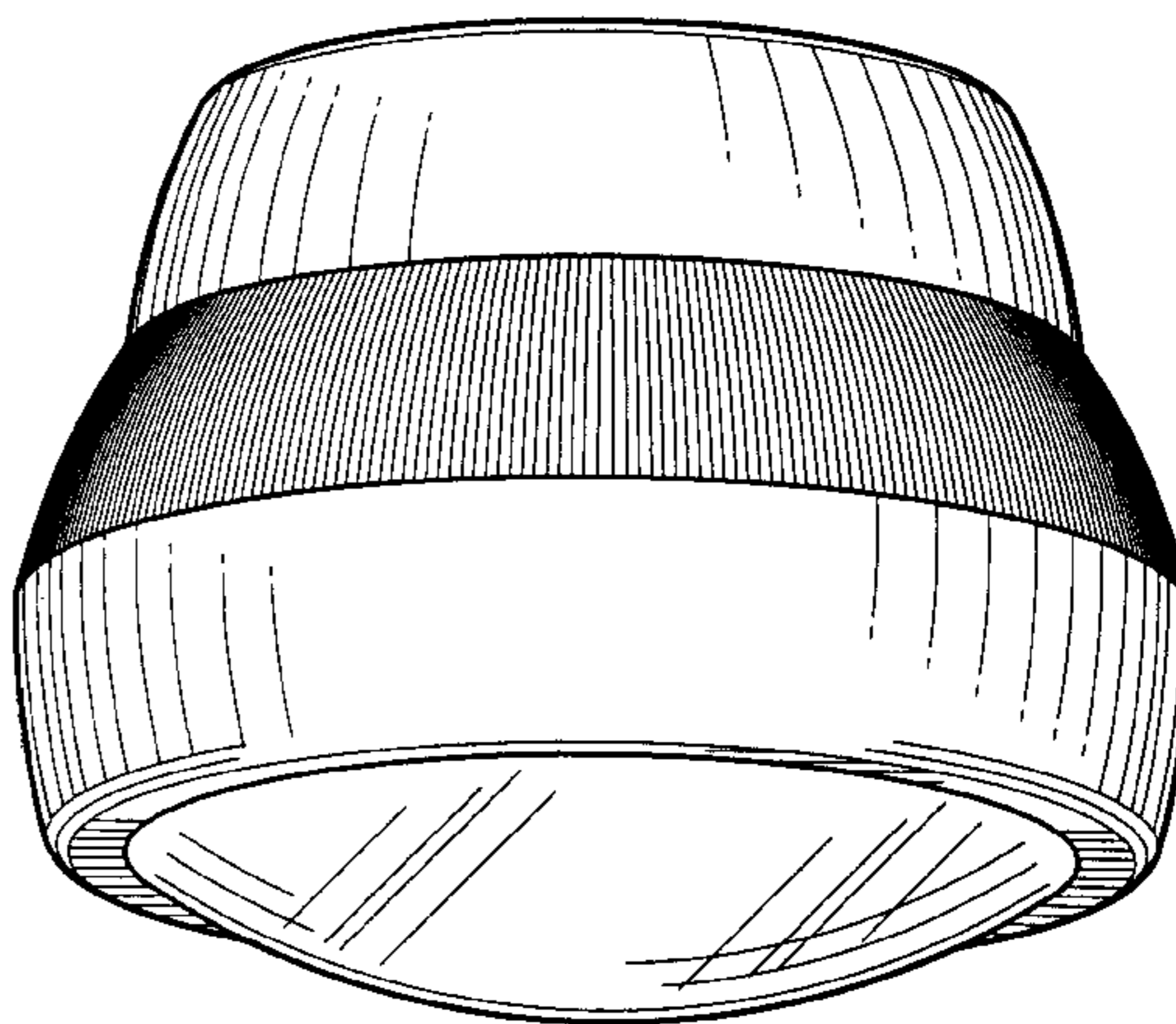
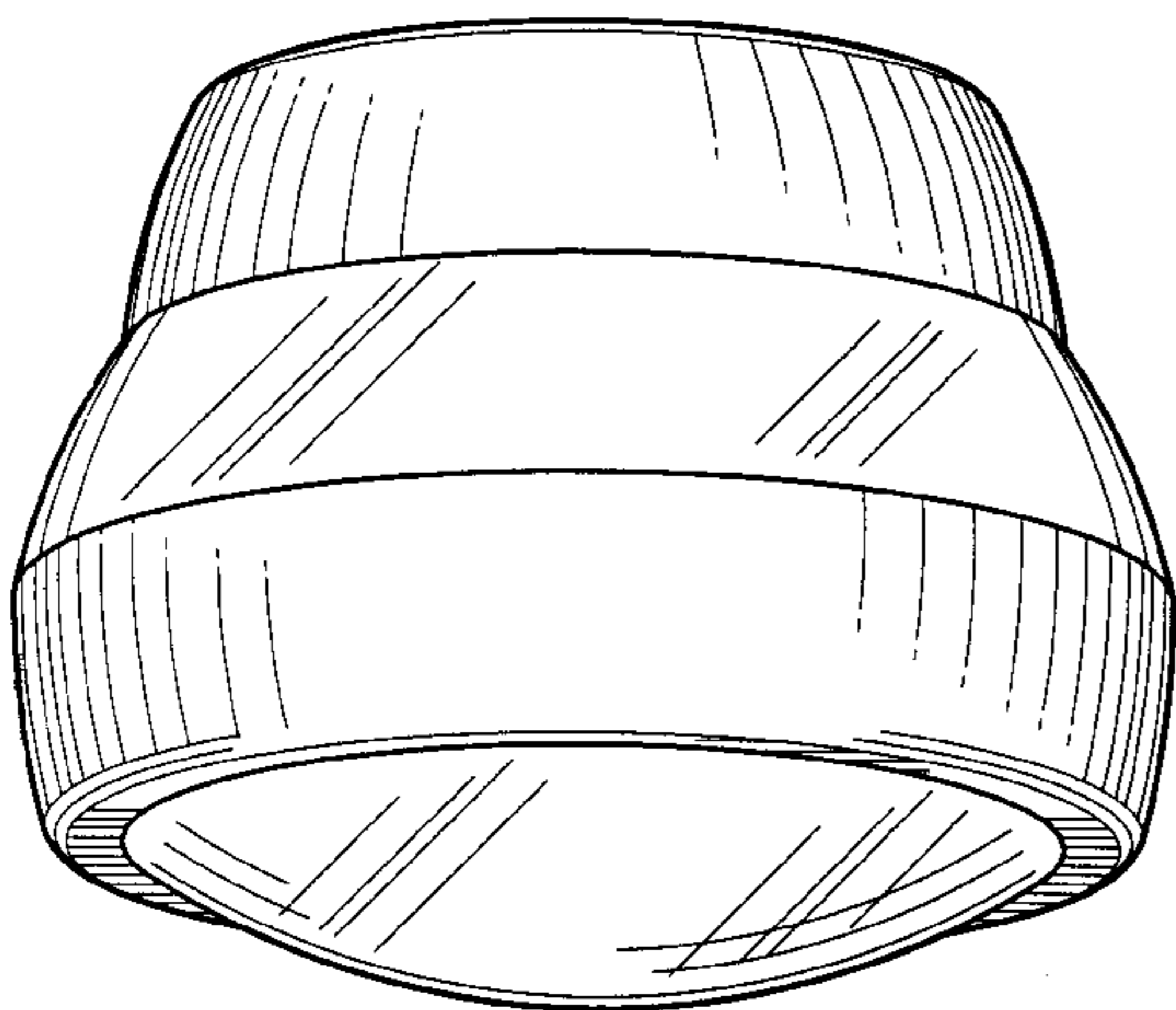
[57] **CLAIM**

The ornamental design of a parking garage lighting fixture, as shown and described.

DESCRIPTION

FIG. 1 is a bottom perspective view of a first embodiment of the parking garage lighting fixture showing the new design; FIG. 2 is a top perspective view thereof; FIG. 3 is a front elevational view thereof; FIG. 4 is a top plan view thereof; FIG. 5 is a bottom view thereof; FIG. 6 is a bottom perspective view of a second embodiment of the parking garage lighting fixture showing the new design; FIG. 7 is a top perspective view thereof; FIG. 8 is a front elevational view thereof; FIG. 9 is a top plan view thereof; FIG. 10 is a bottom view thereof; FIG. 11 is a bottom perspective view of a third embodiment of the parking garage lighting fixture showing the new design; FIG. 12 is a top perspective view thereof; FIG. 13 is a front elevational view thereof; FIG. 14 is a top plan view thereof; and, FIG. 15 is a bottom view thereof.

1 Claim, 6 Drawing Sheets



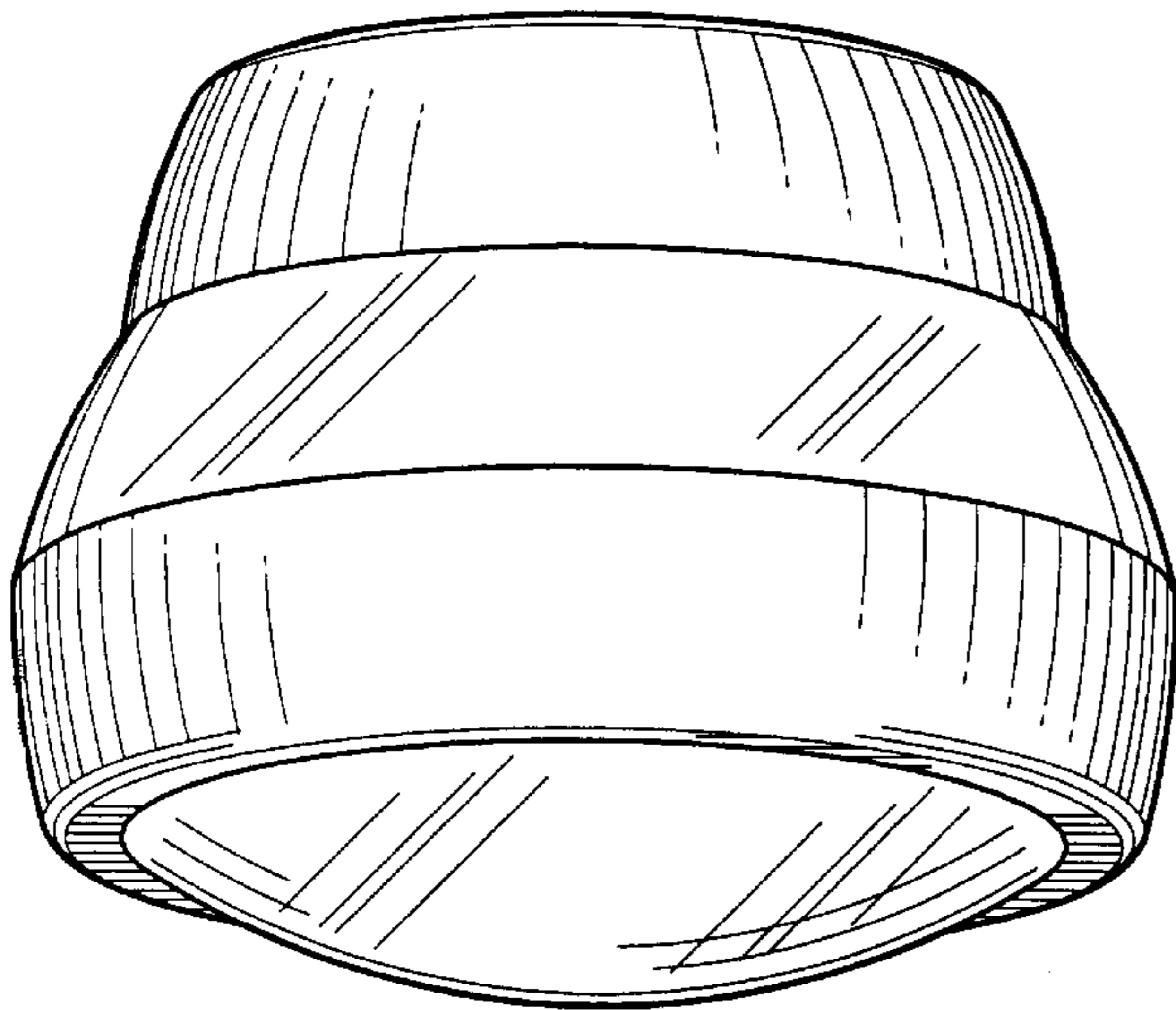


Fig. 1

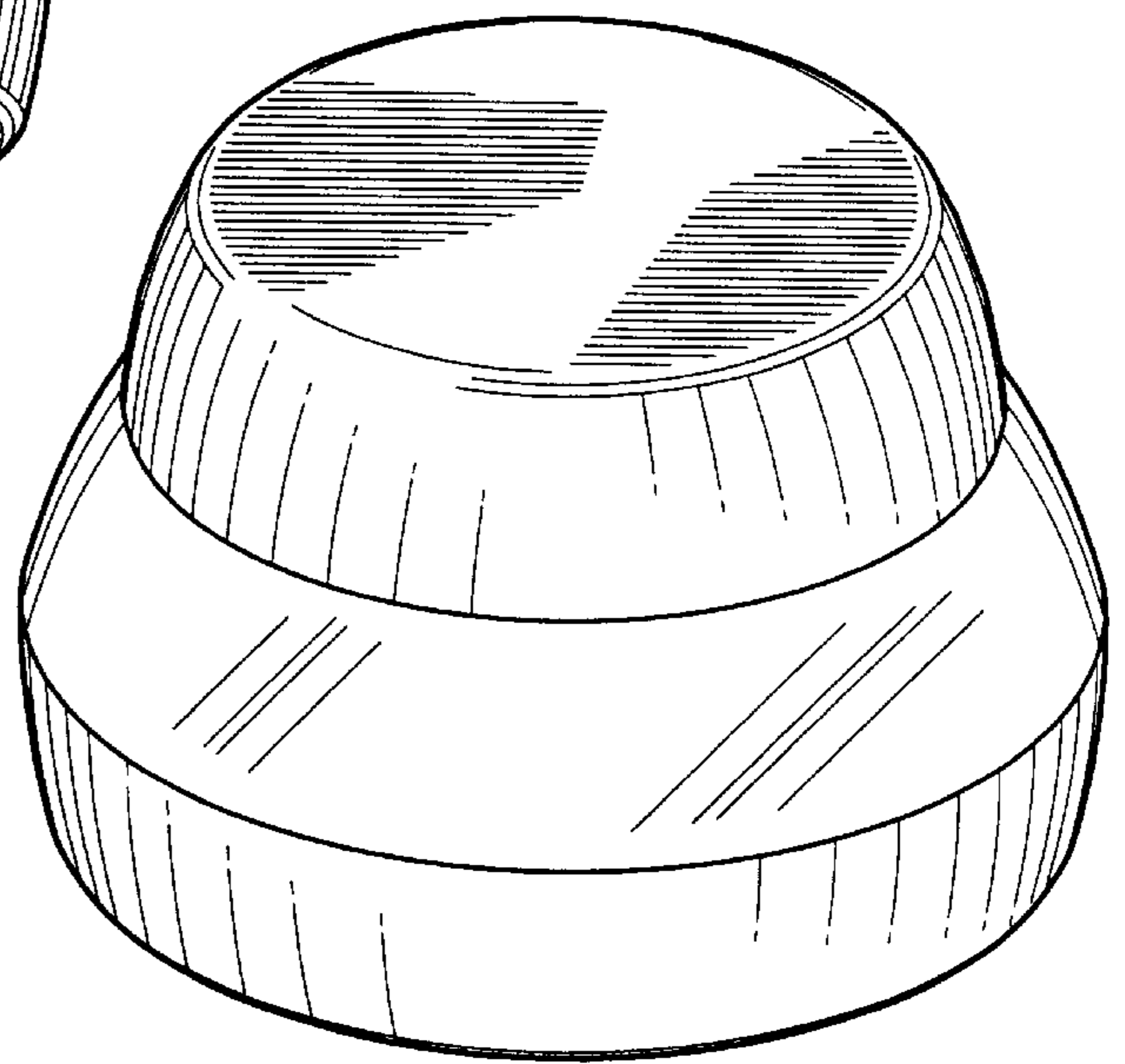


Fig. 2

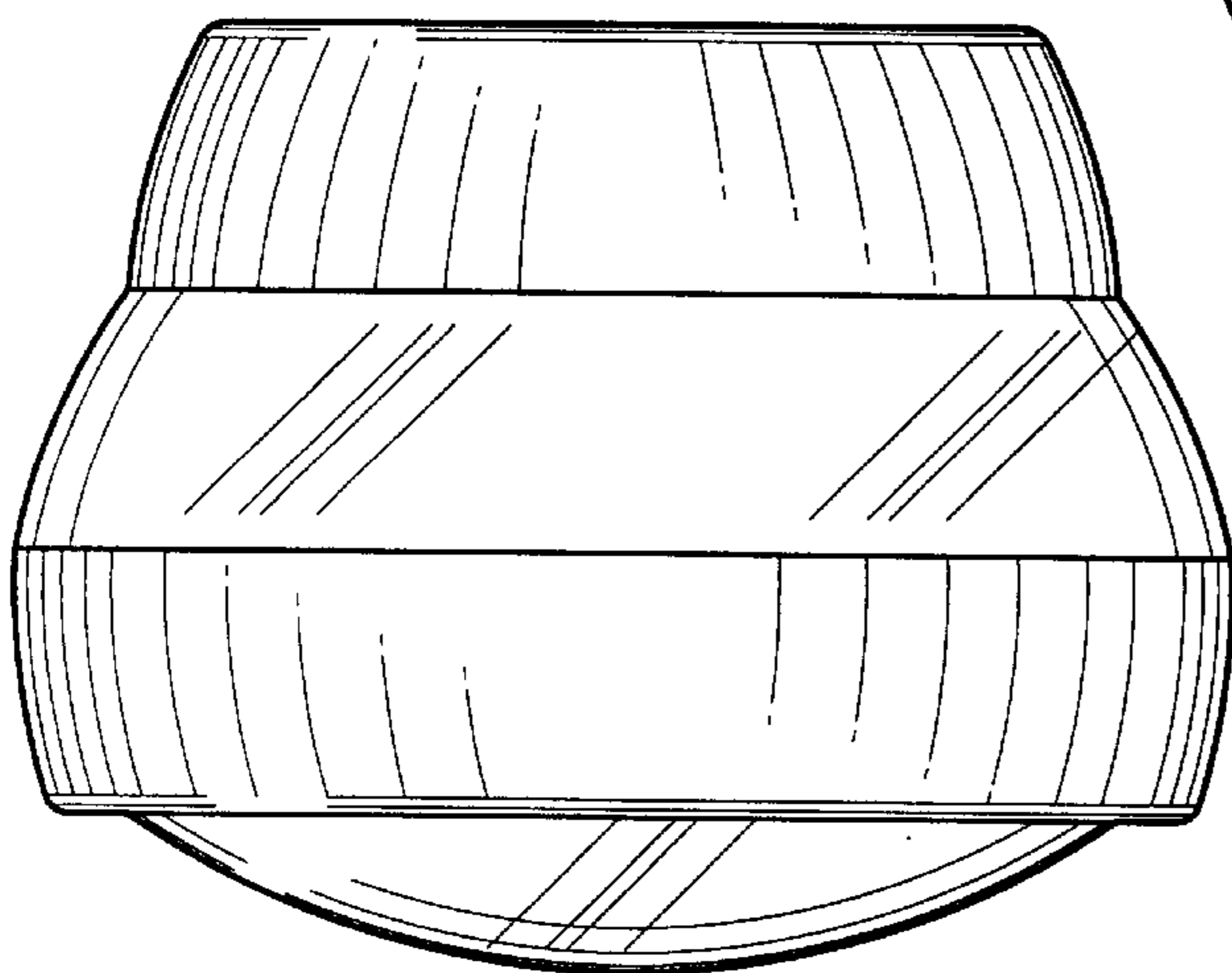


Fig. 3

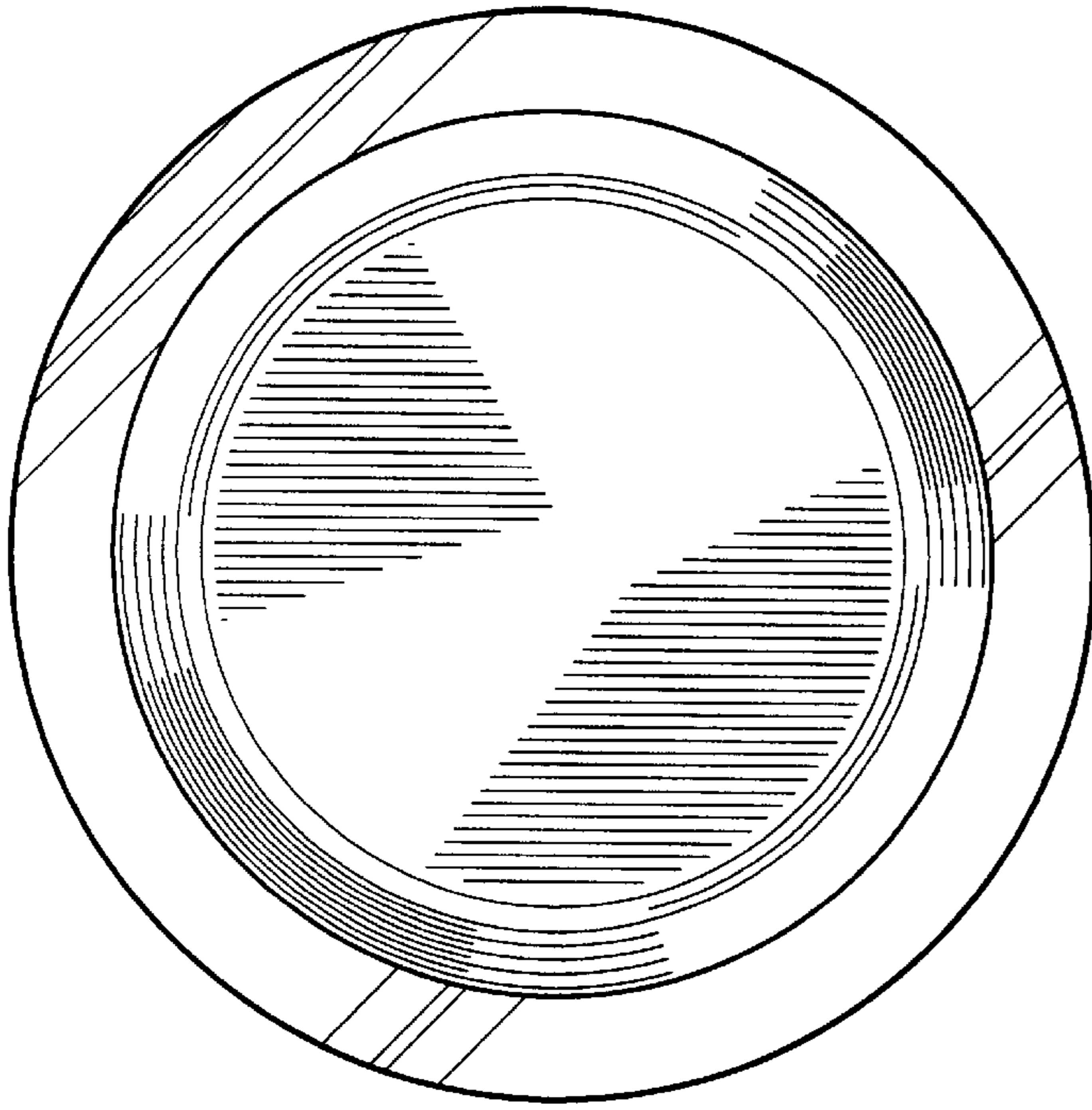


Fig. 4

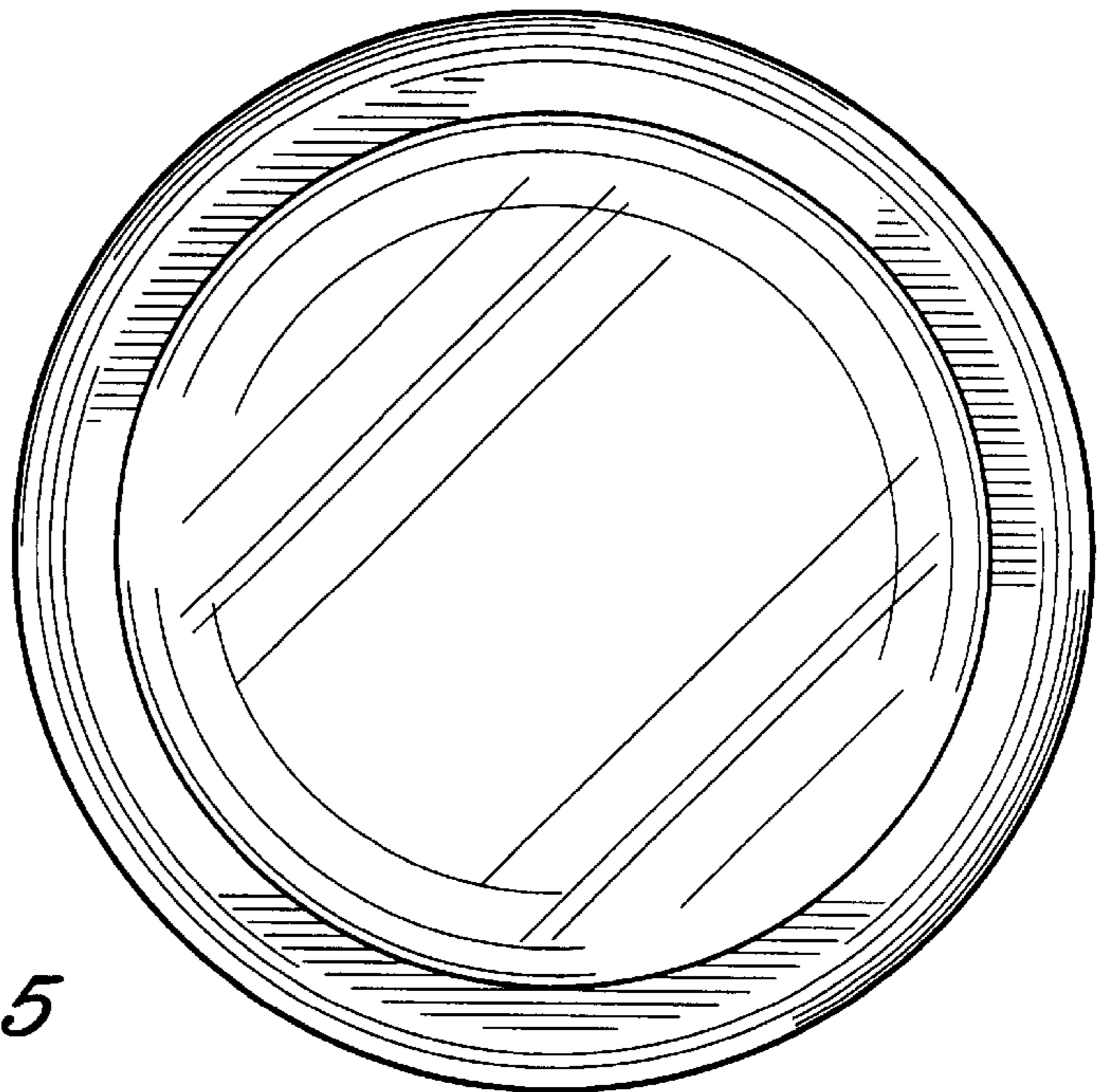


Fig. 5

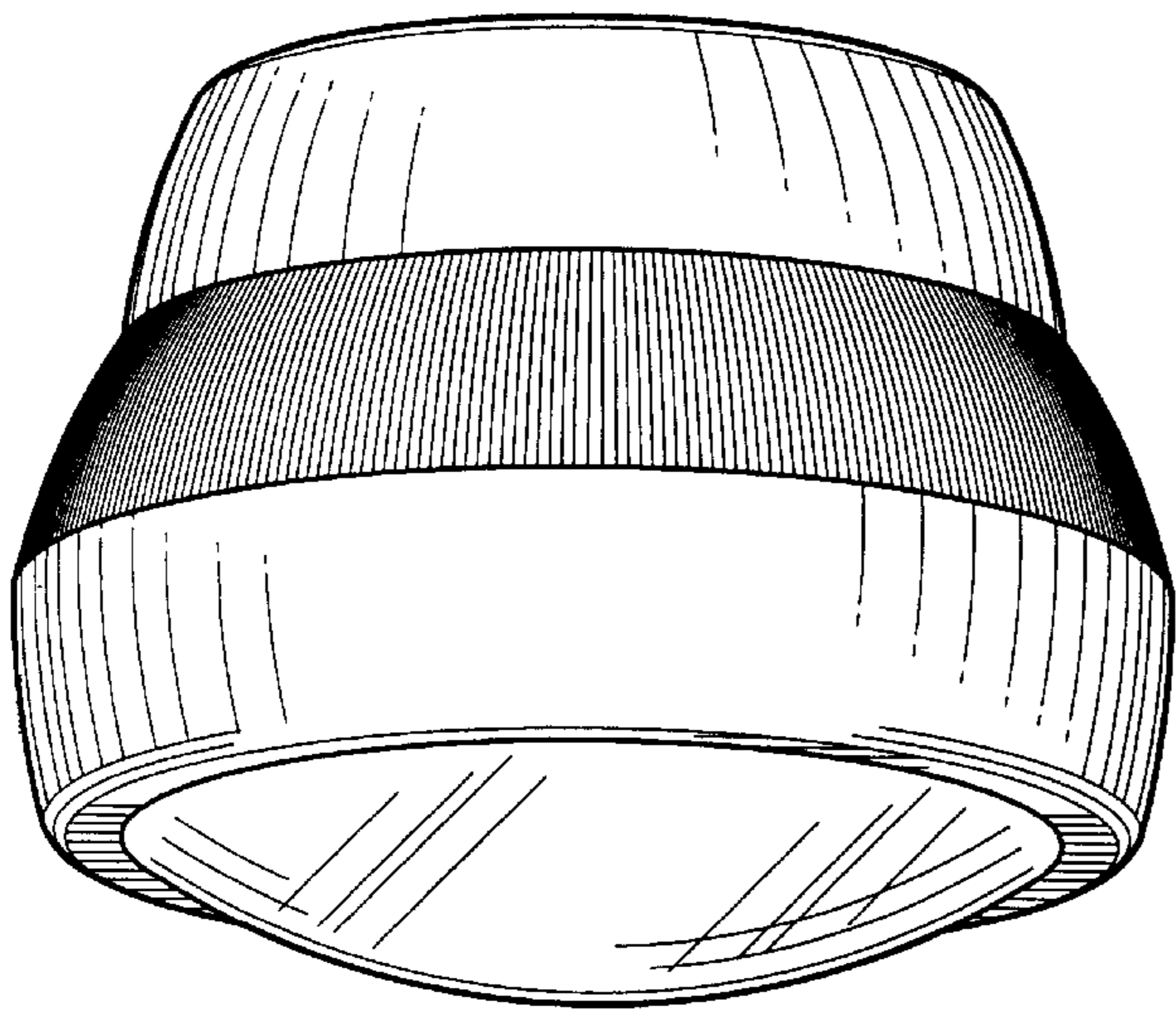


Fig. 6

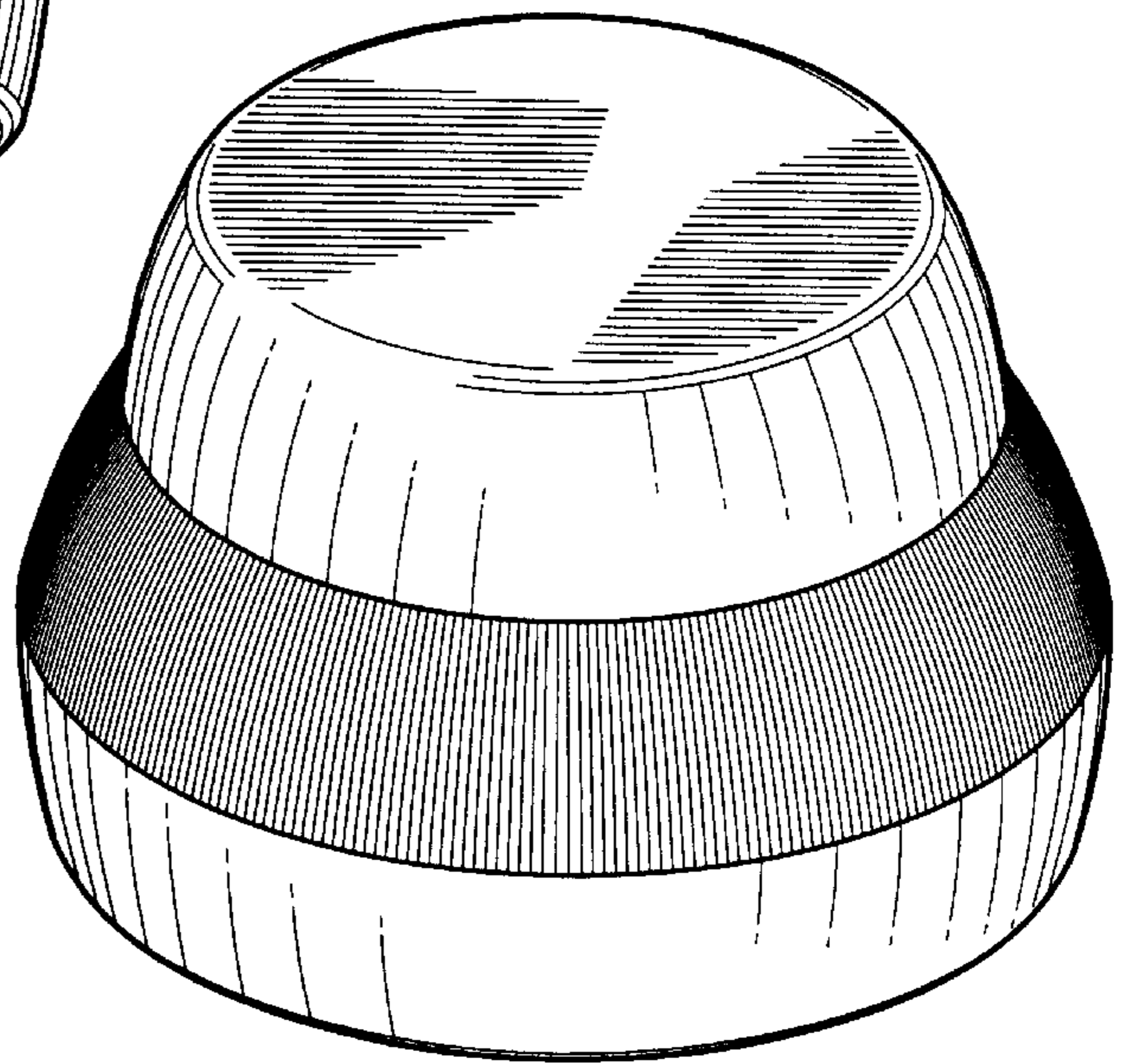


Fig. 7

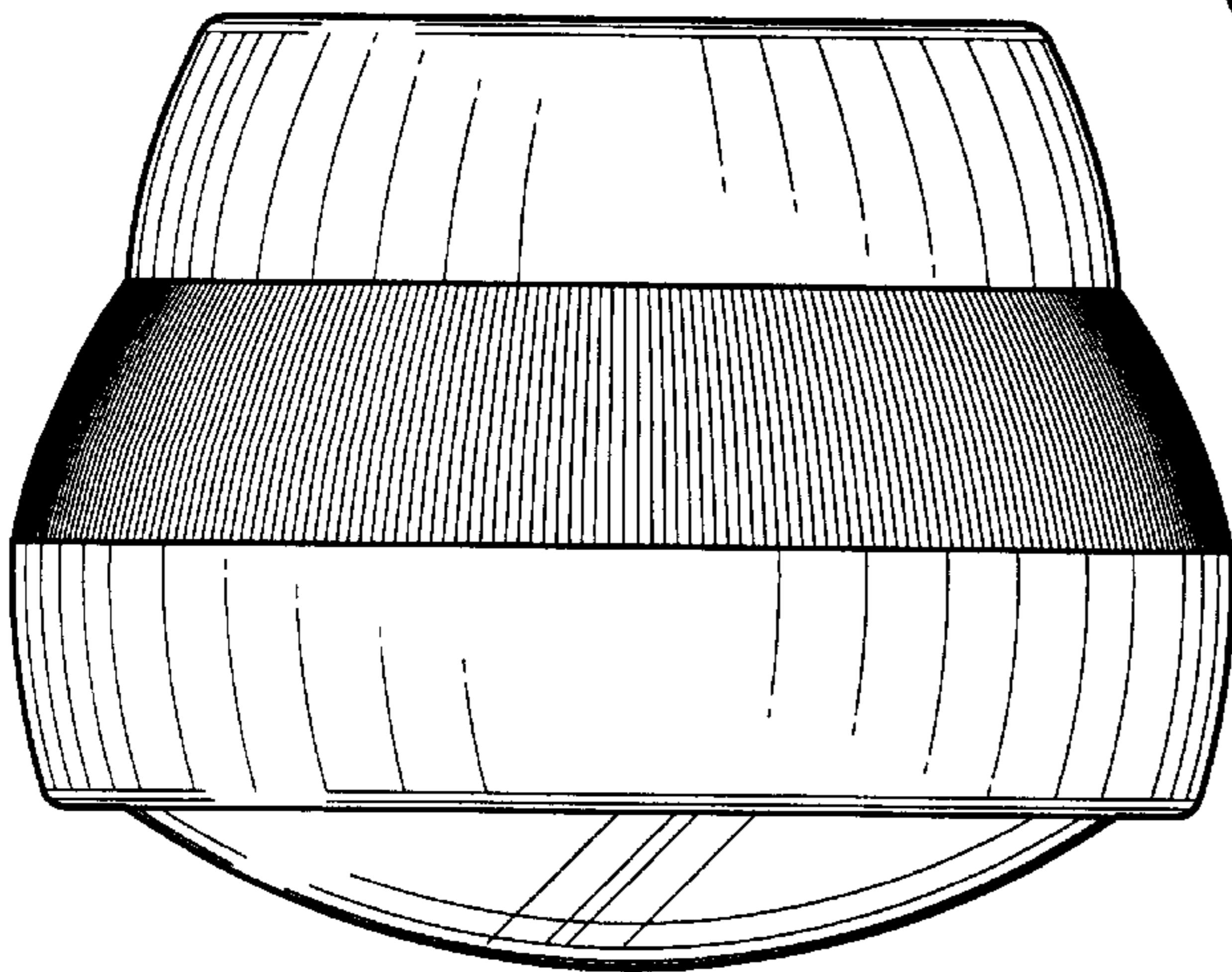


Fig. 8

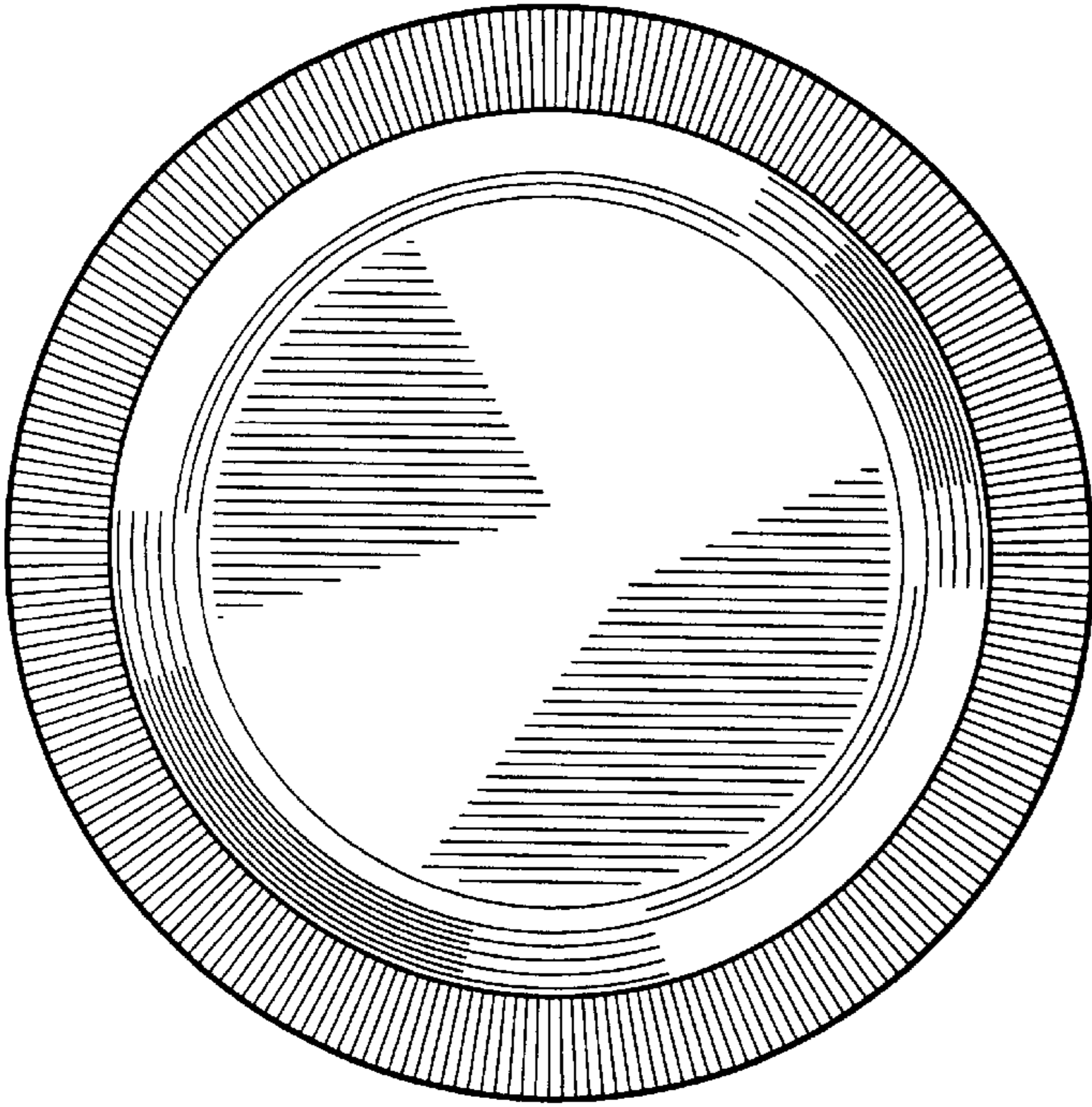


Fig. 9

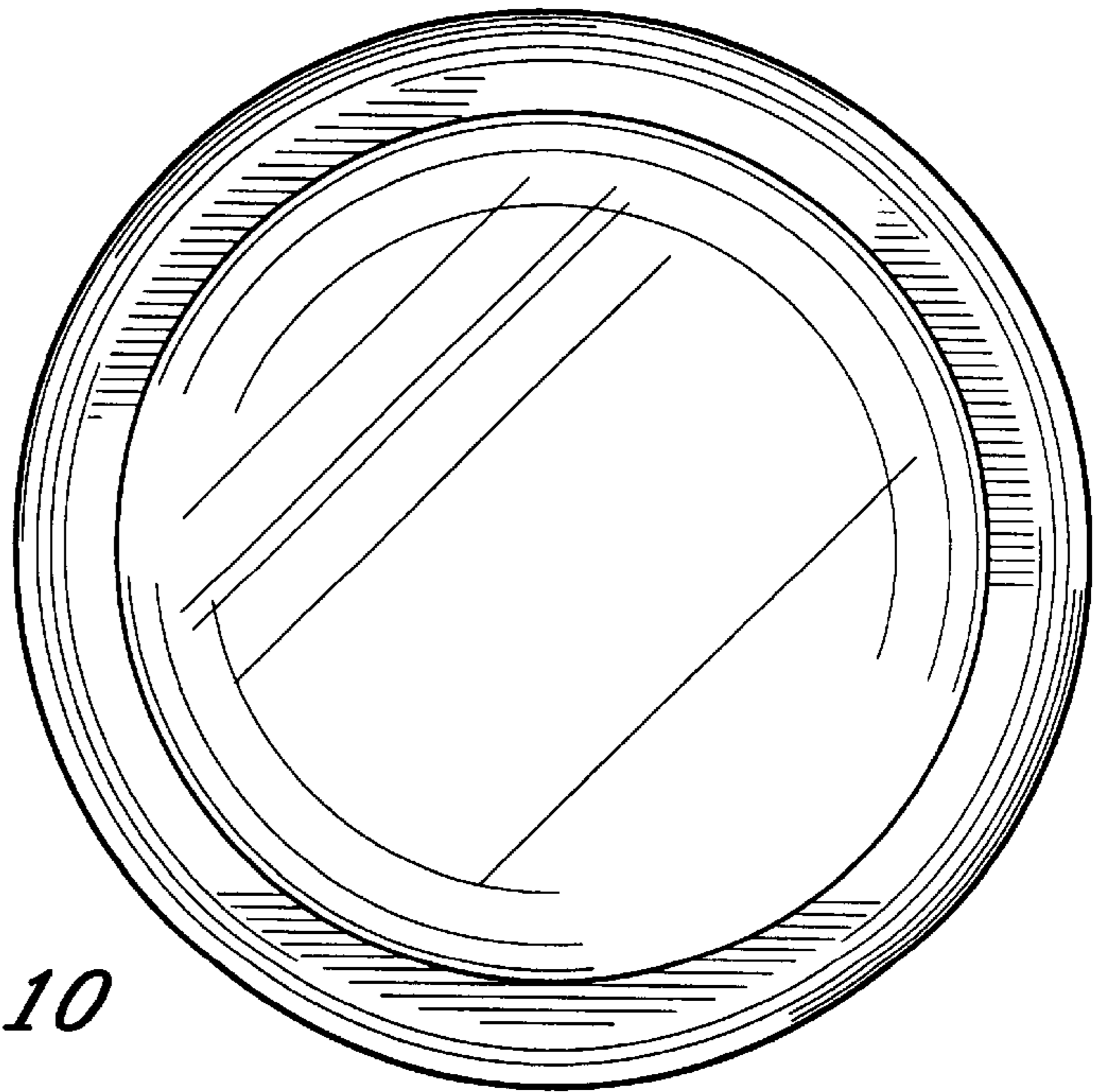


Fig. 10

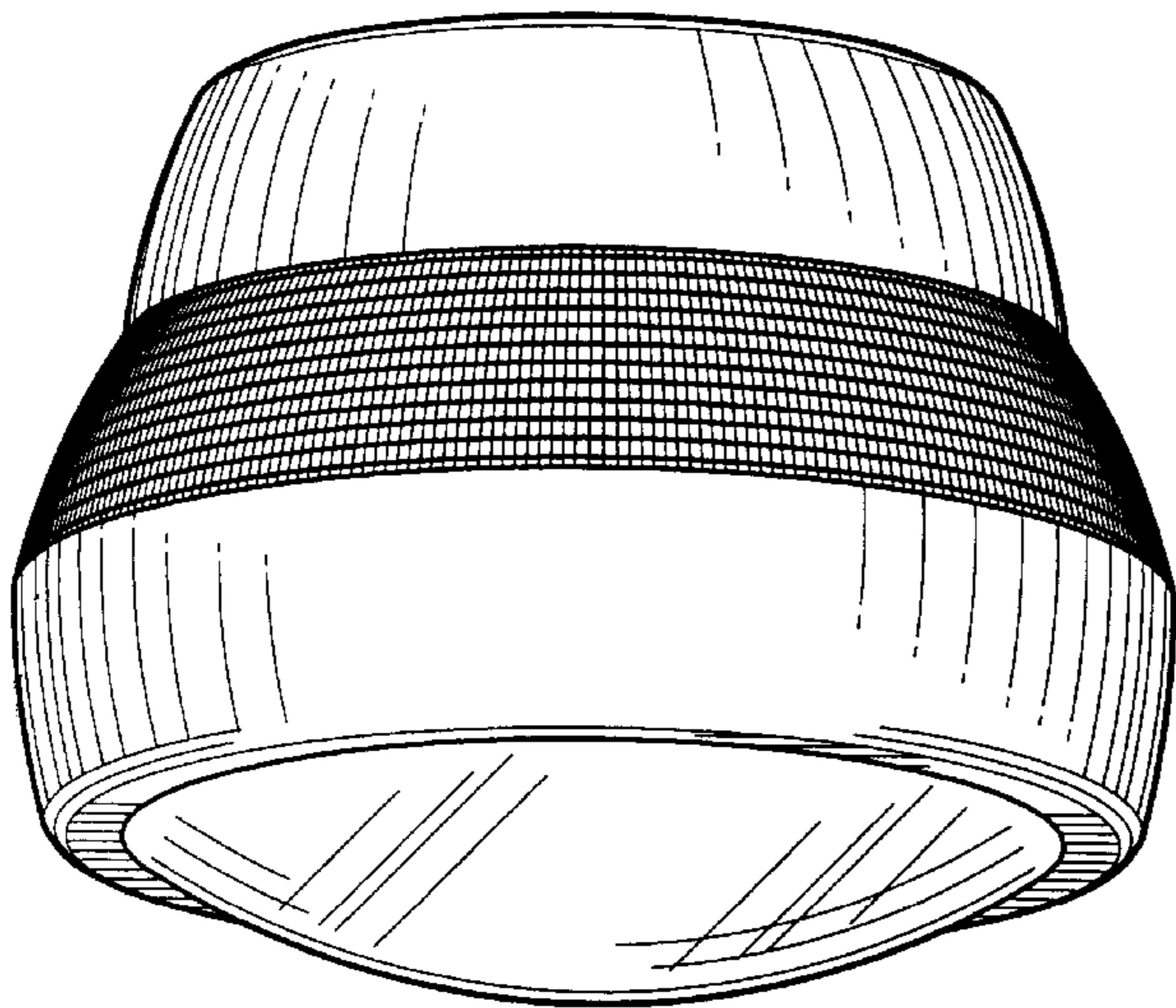


Fig. 11

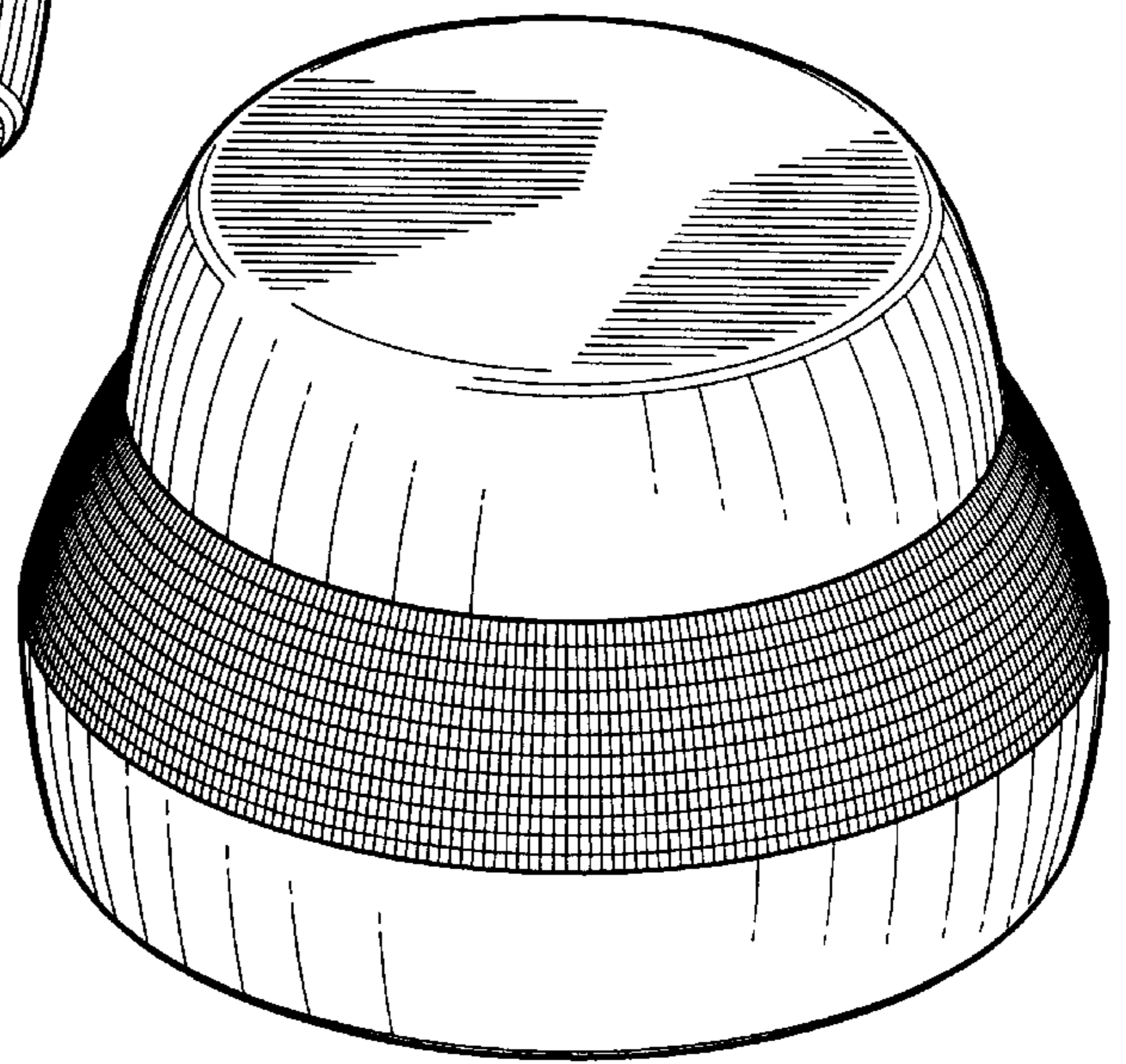


Fig. 12

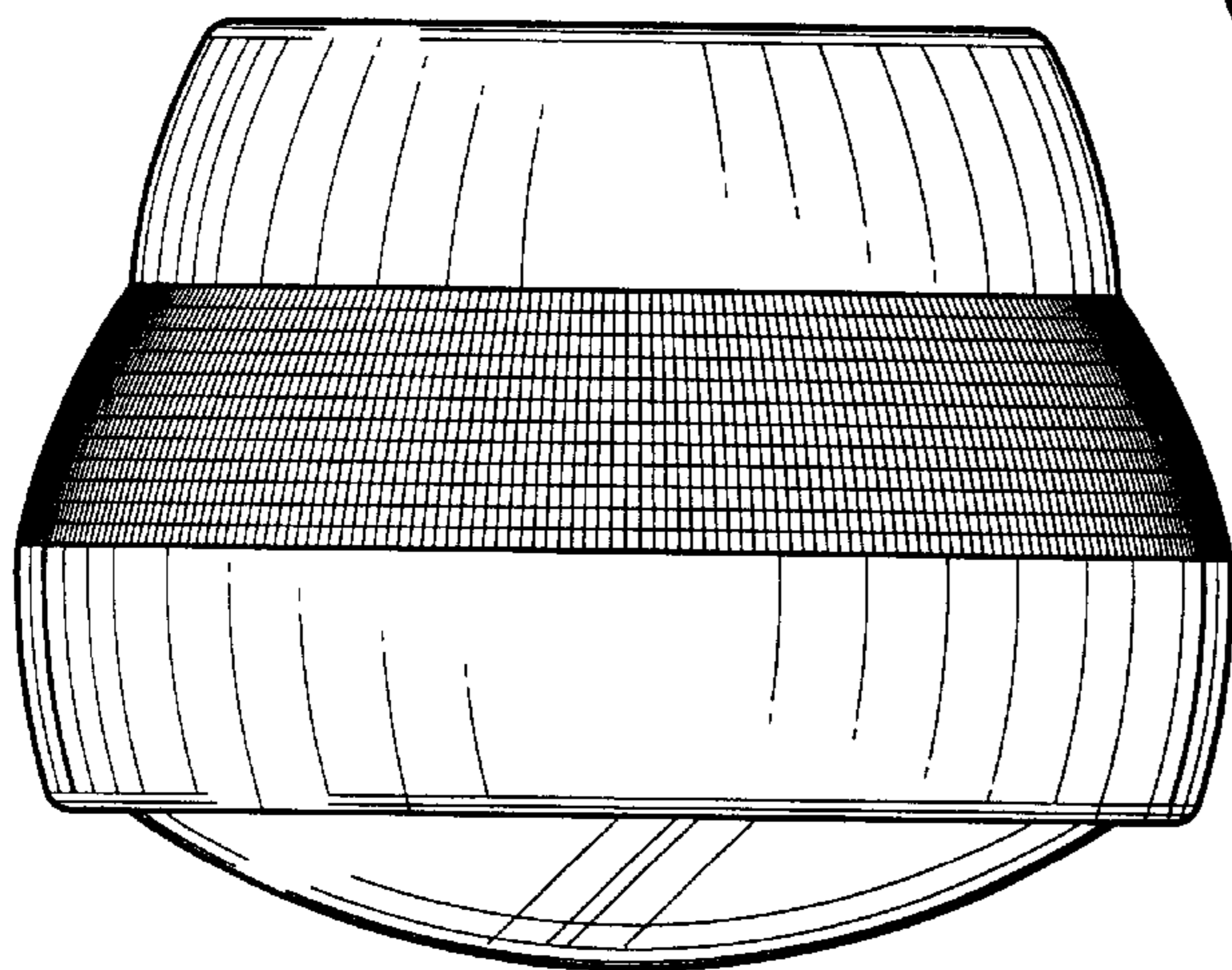


Fig. 13

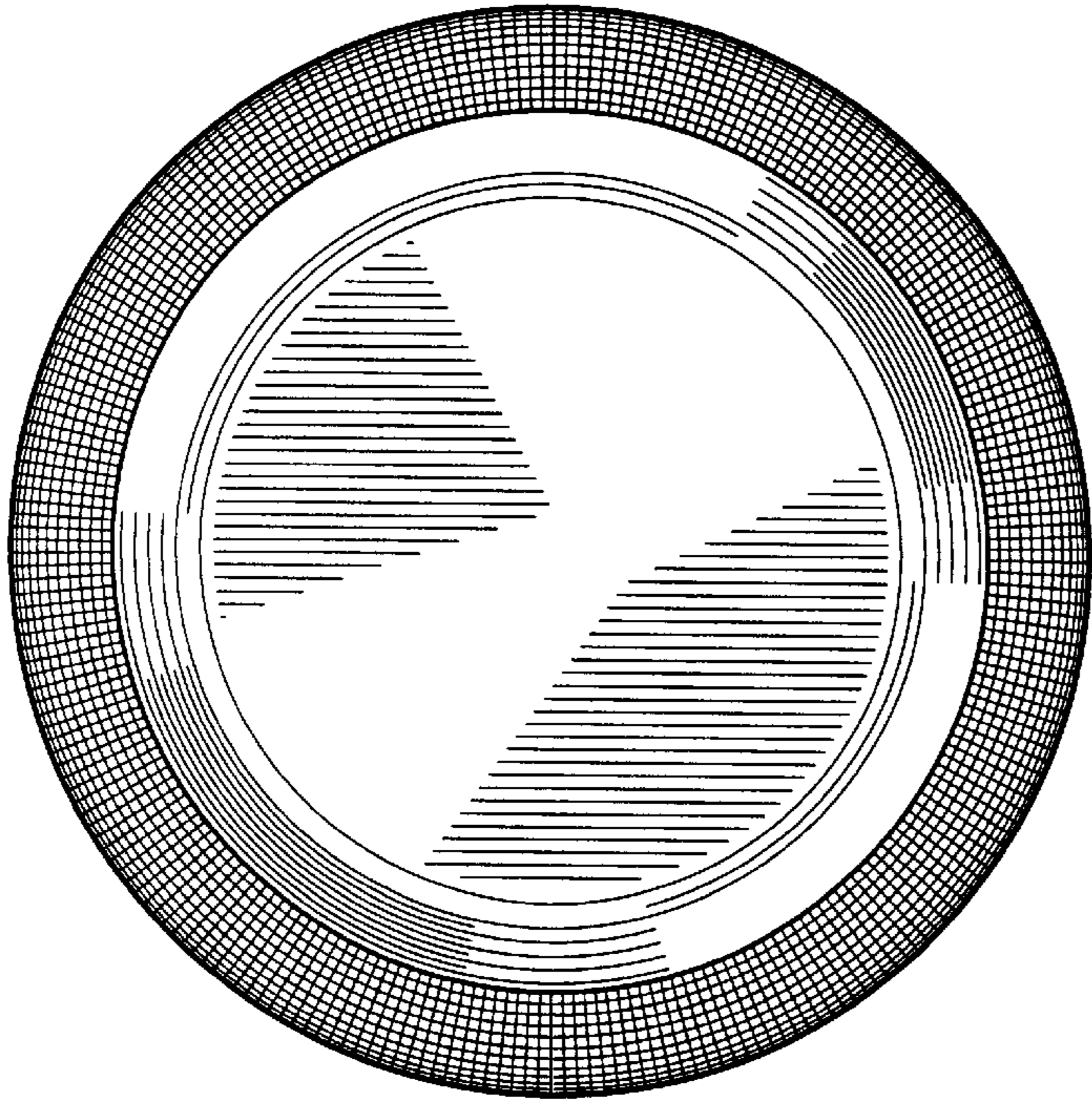


Fig. 14

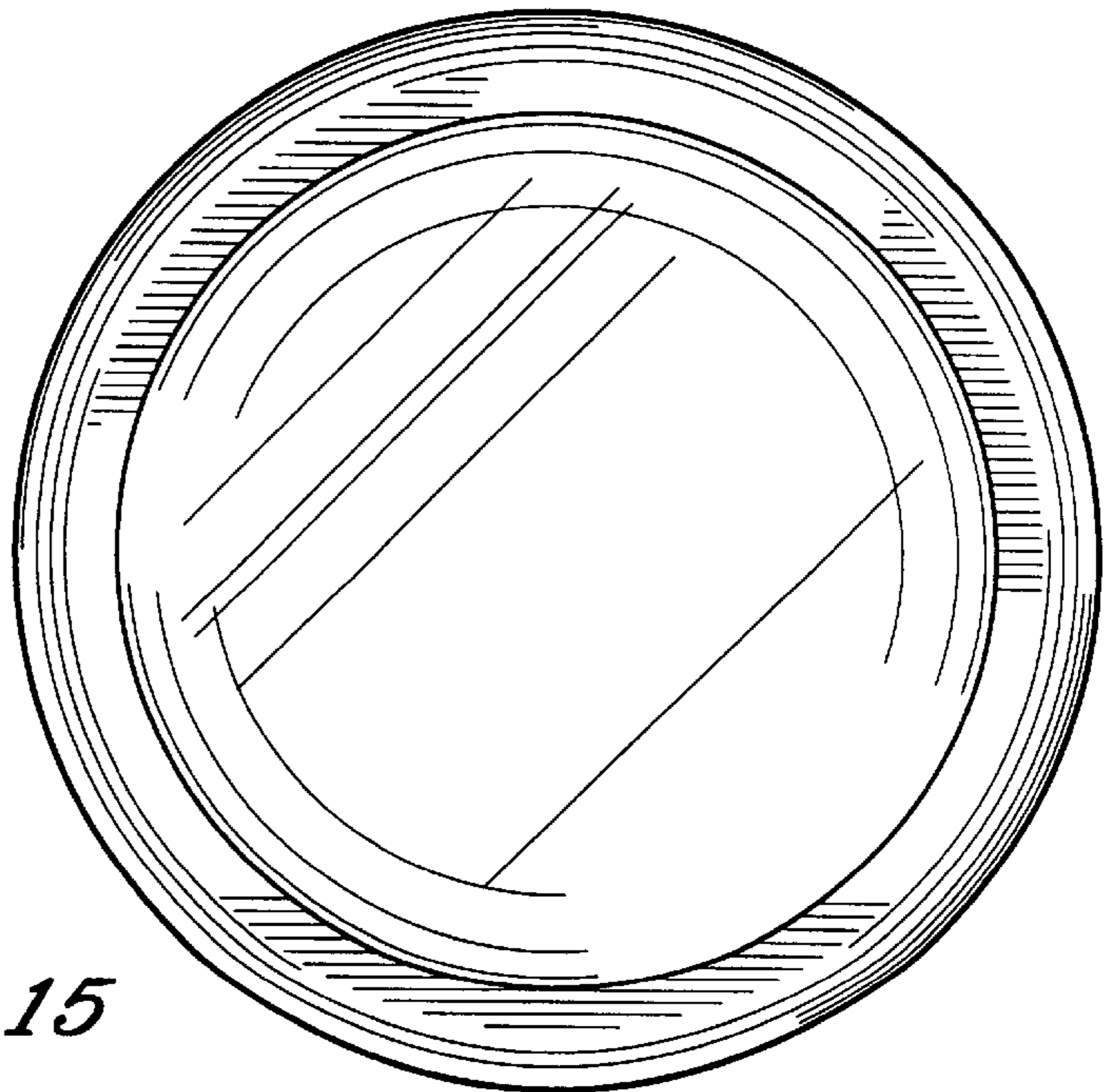


Fig. 15