



US00D402072S

United States Patent [19]
Reggiani

[11] **Patent Number: Des. 402,072**

[45] **Date of Patent: **Dec. 1, 1998**

[54] **LIGHTING APPARATUS**

[76] Inventor: **Fabio Reggiani**, Piazza S. Marco, 1,
20121 Milano, Italy

[**] Term: **14 Years**

[21] Appl. No.: **81,995**

[22] Filed: **Jan. 12, 1998**

Related U.S. Application Data

[62] Division of Ser. No. 63,211, Dec. 2, 1996, Pat. No. Des.
394,912.

[51] **LOC (6) Cl.** **26-05**

[52] **U.S. Cl.** **D26/63**

[58] **Field of Search** D26/60-66; 362/147,
362/269, 275, 287, 418, 419, 427, 404

[56] **References Cited**

U.S. PATENT DOCUMENTS

D. 297,373 8/1988 Joosten et al. D26/63

OTHER PUBLICATIONS

Illuminotecnica International Lighting magazine, p. 287,
lampholder, second from right, May 7, 1991.

Primary Examiner—Susan J. Lucas
Attorney, Agent, or Firm—Shlesinger, Fitzsimmons &
Shlesinger

[57] **CLAIM**

The ornamental design for lighting apparatus, as shown and
described.

DESCRIPTION

FIG. 1 is a bottom plan view of the lighting apparatus
showing my new design;

FIG. 2 is a right side elevational view thereof;

FIG. 3 is a front elevational view thereof;

FIG. 4 is a top plan view thereof;

FIG. 5 is a left side elevational view thereof;

FIG. 6 is a rear elevational view thereof;

FIG. 7 is a bottom plan view of an alternate embodiment of
FIG. 1;

FIG. 8 is a right side elevational view of FIG. 7;

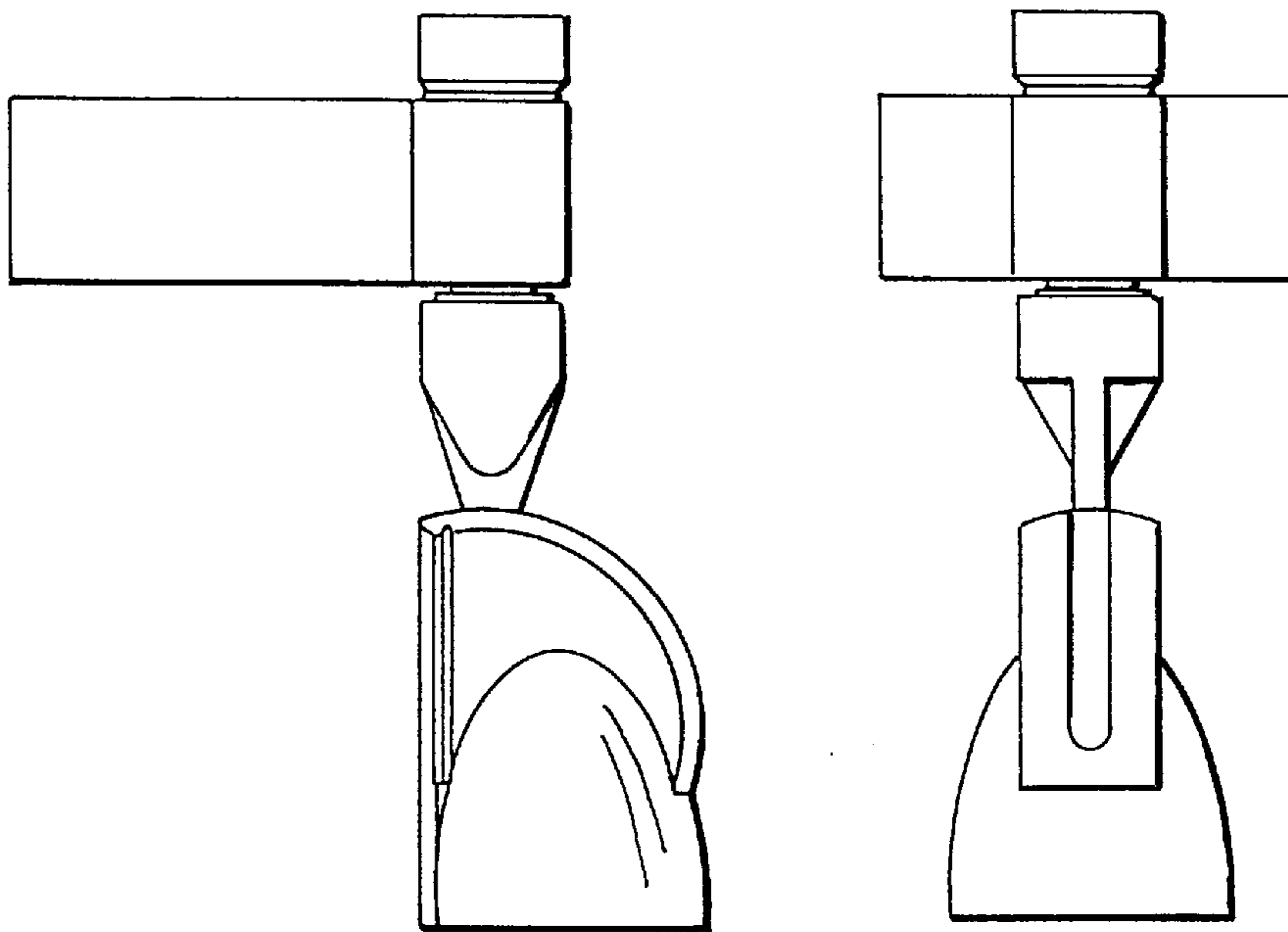
FIG. 9 is a front elevational view of FIG. 7;

FIG. 10 is a top plan view of FIG. 7;

FIG. 11 is a left side elevational view of FIG. 7; and,

FIG. 12 is a rear elevational view of FIG. 7.

1 Claim, 4 Drawing Sheets



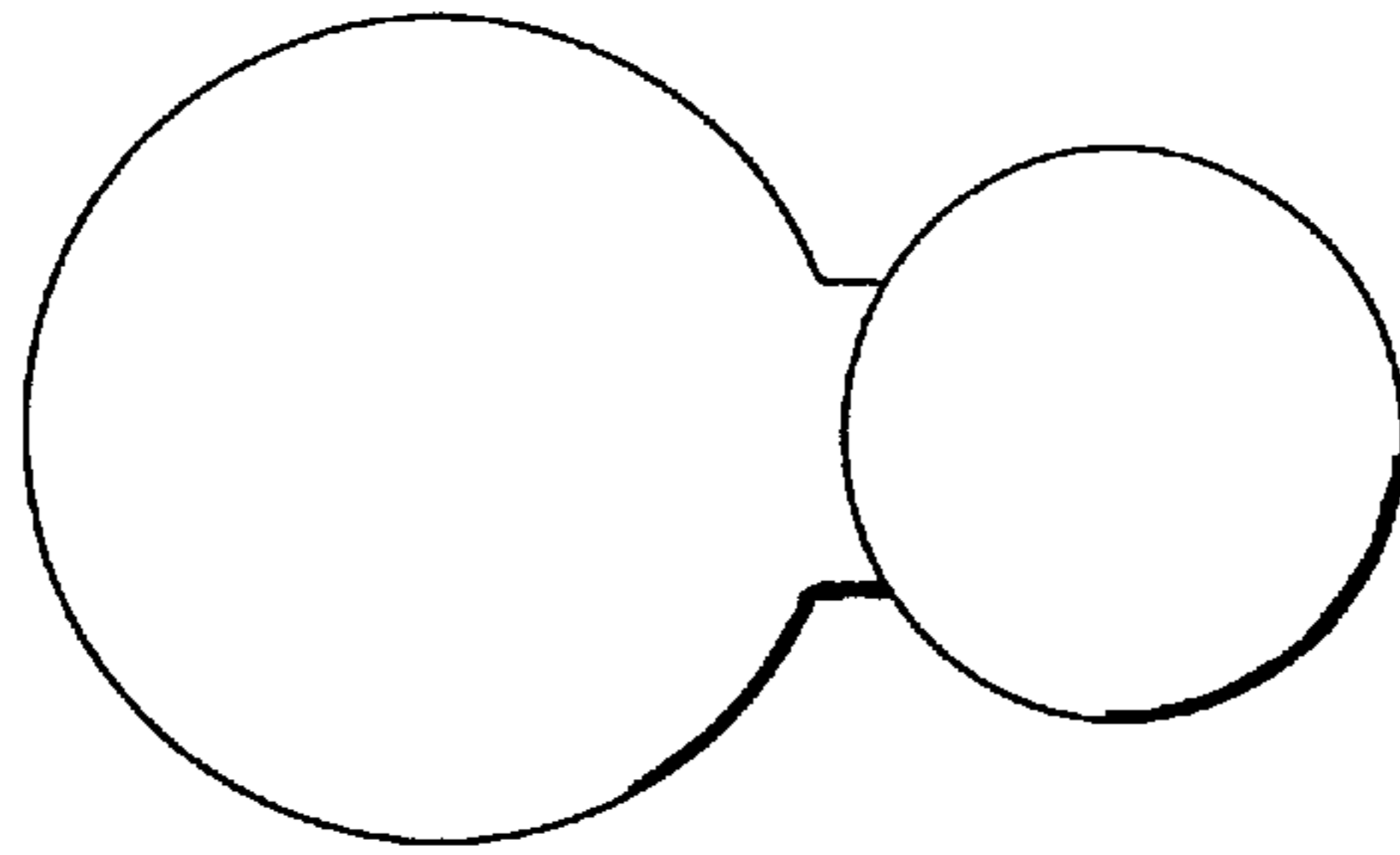


FIG. 1

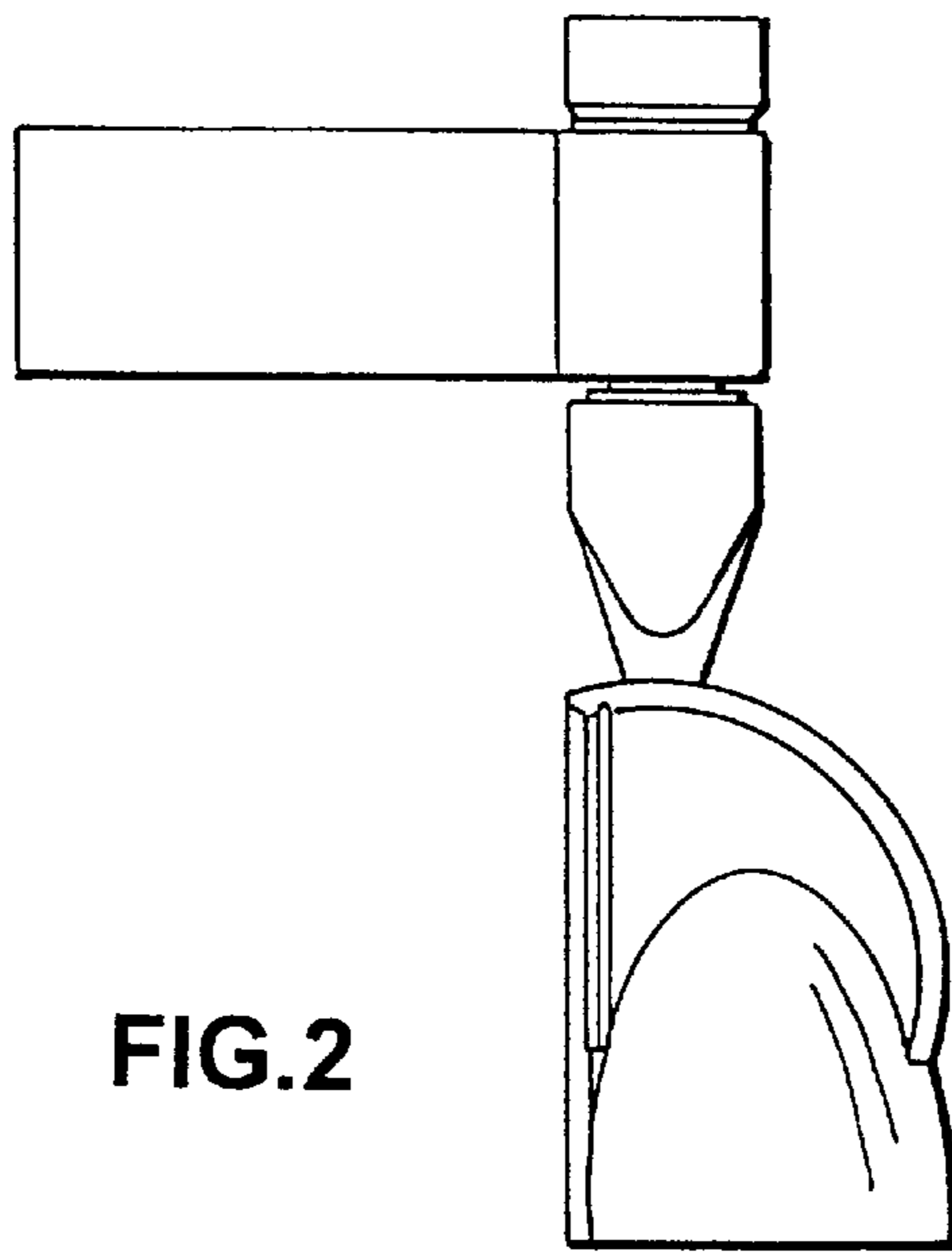


FIG. 2

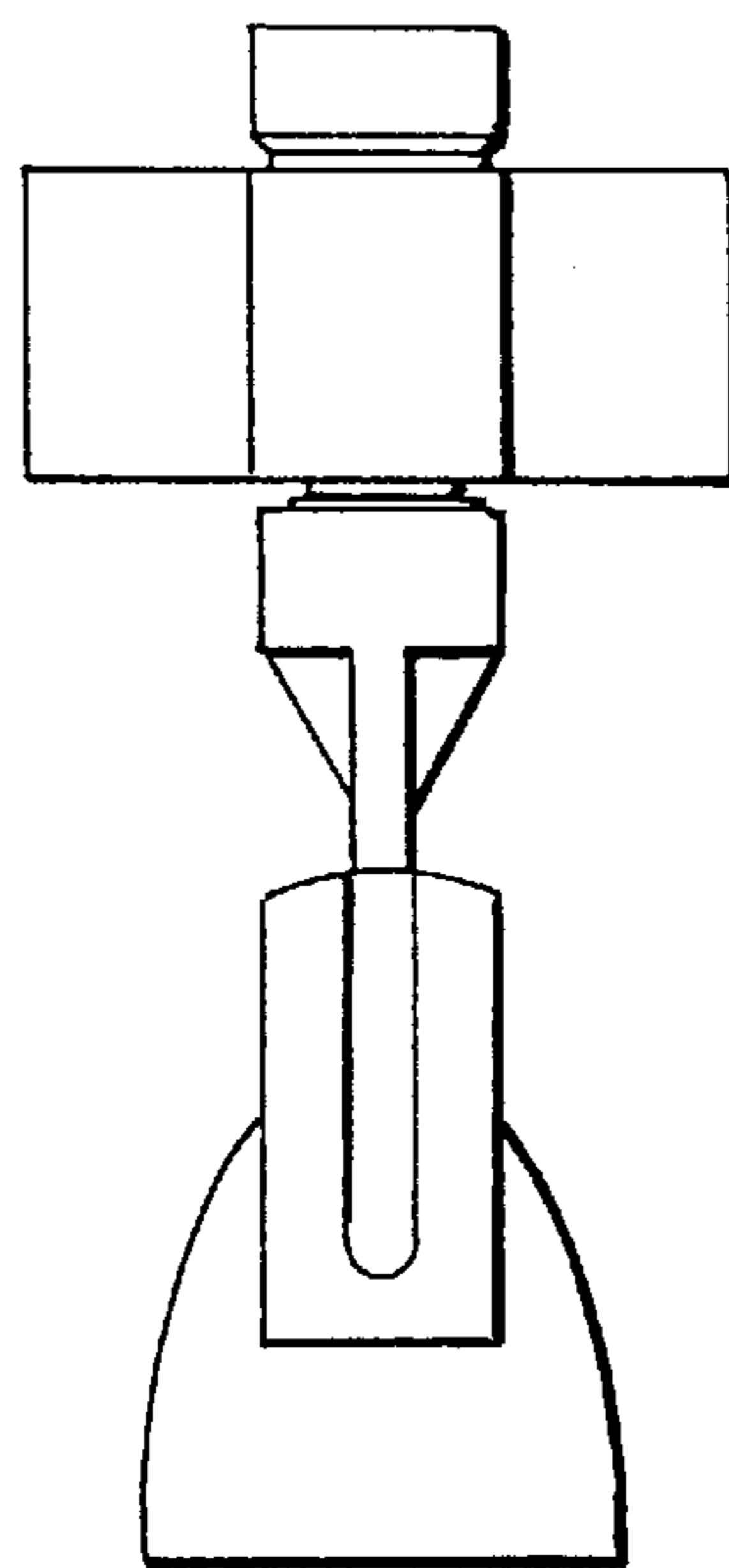


FIG. 3

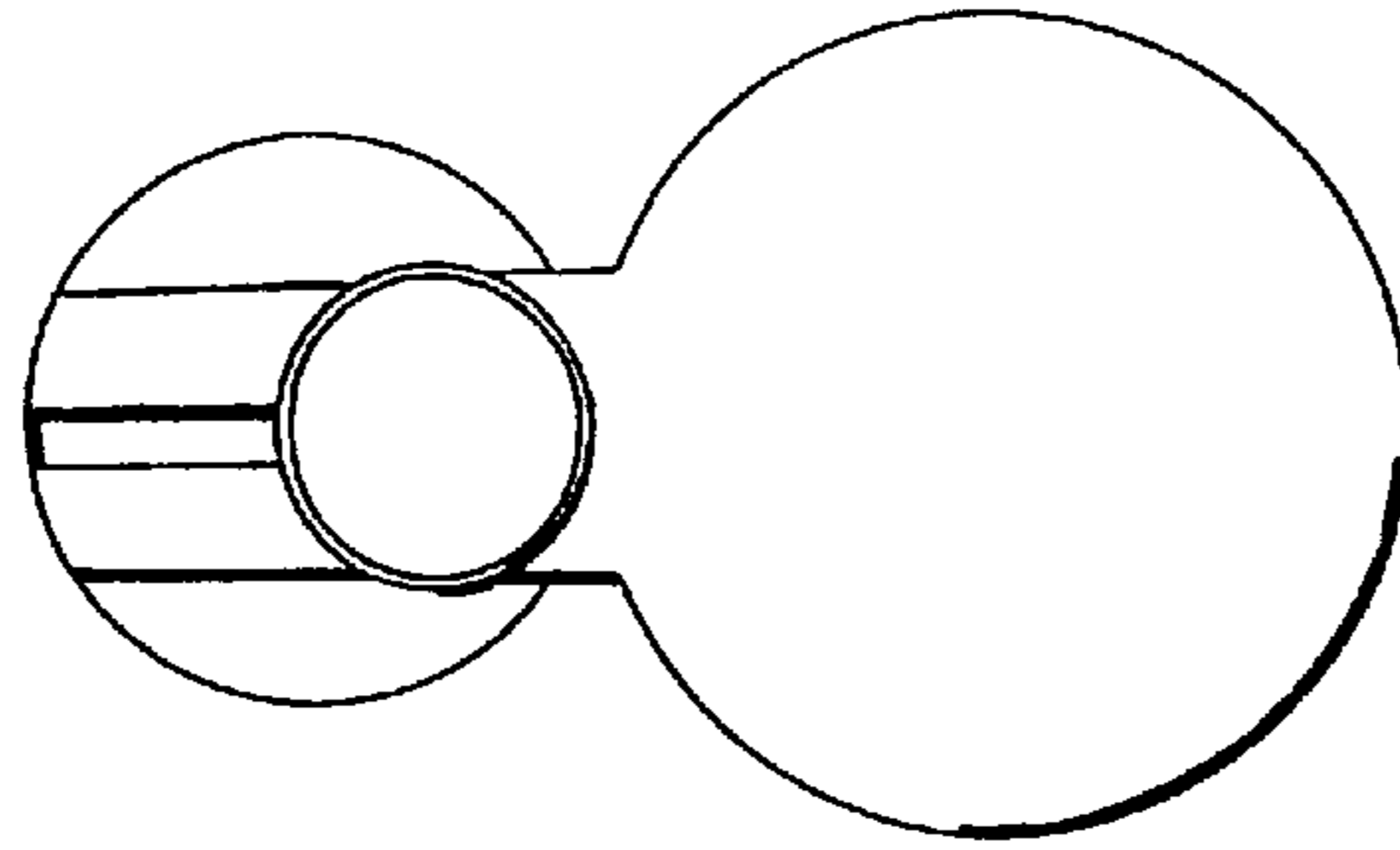


FIG. 4

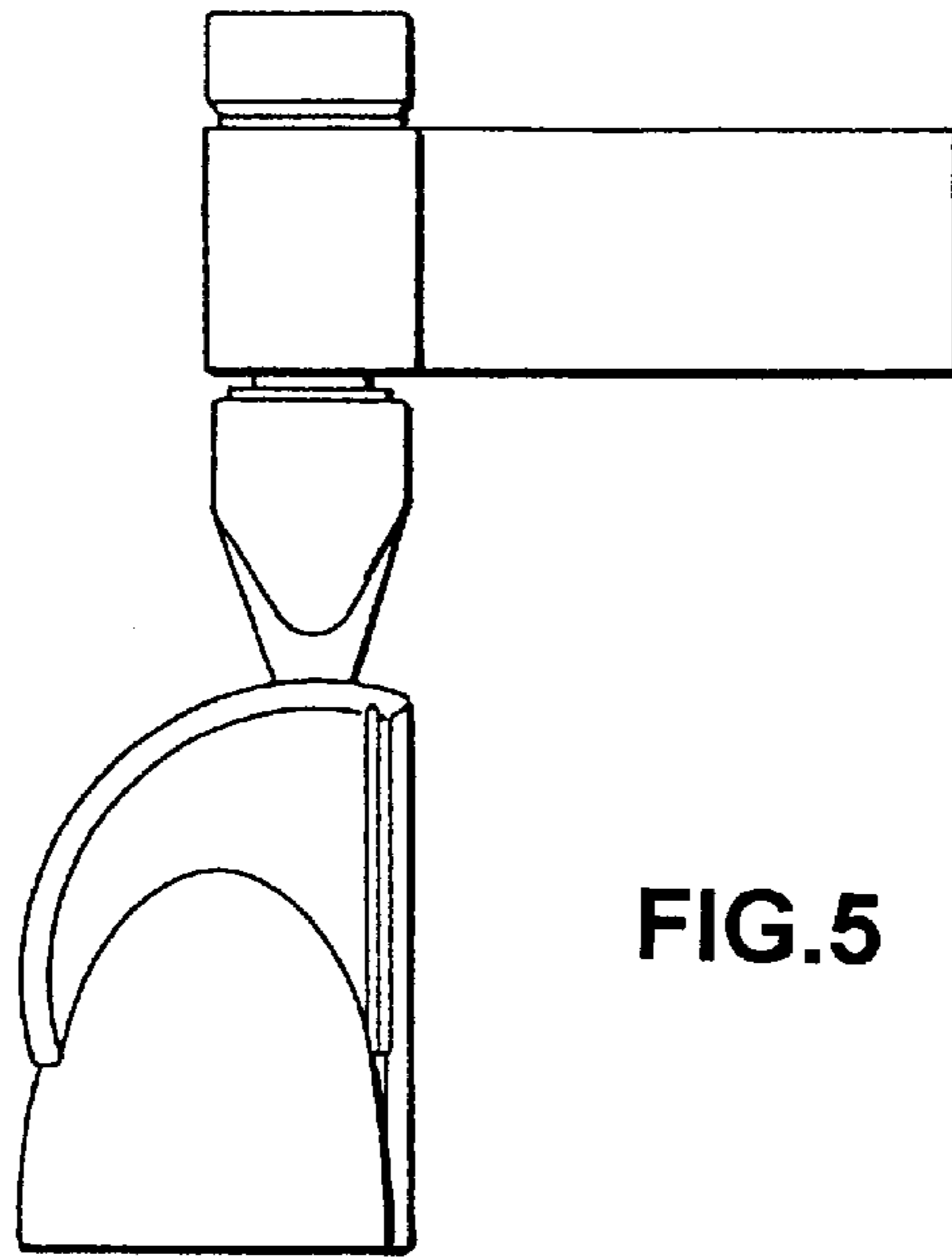


FIG. 5

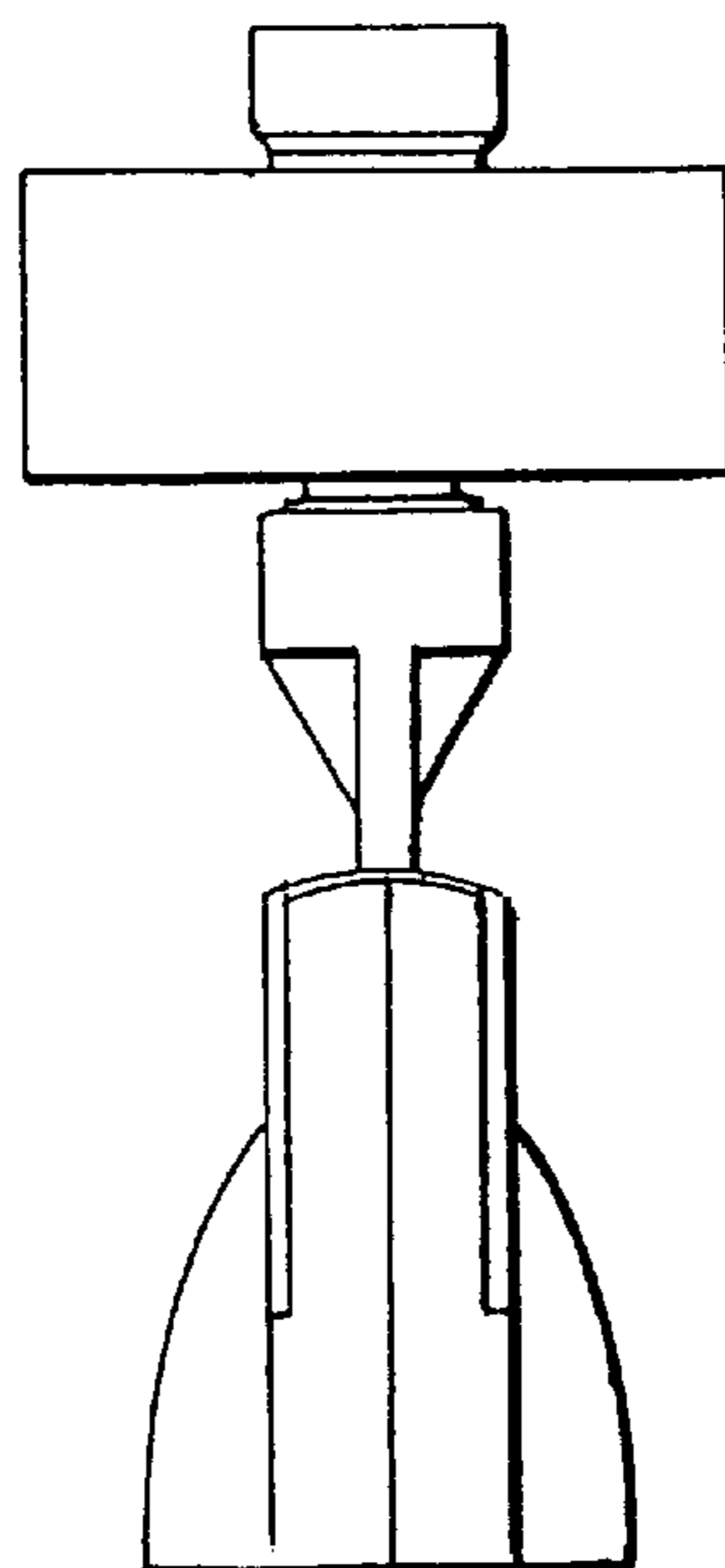


FIG. 6

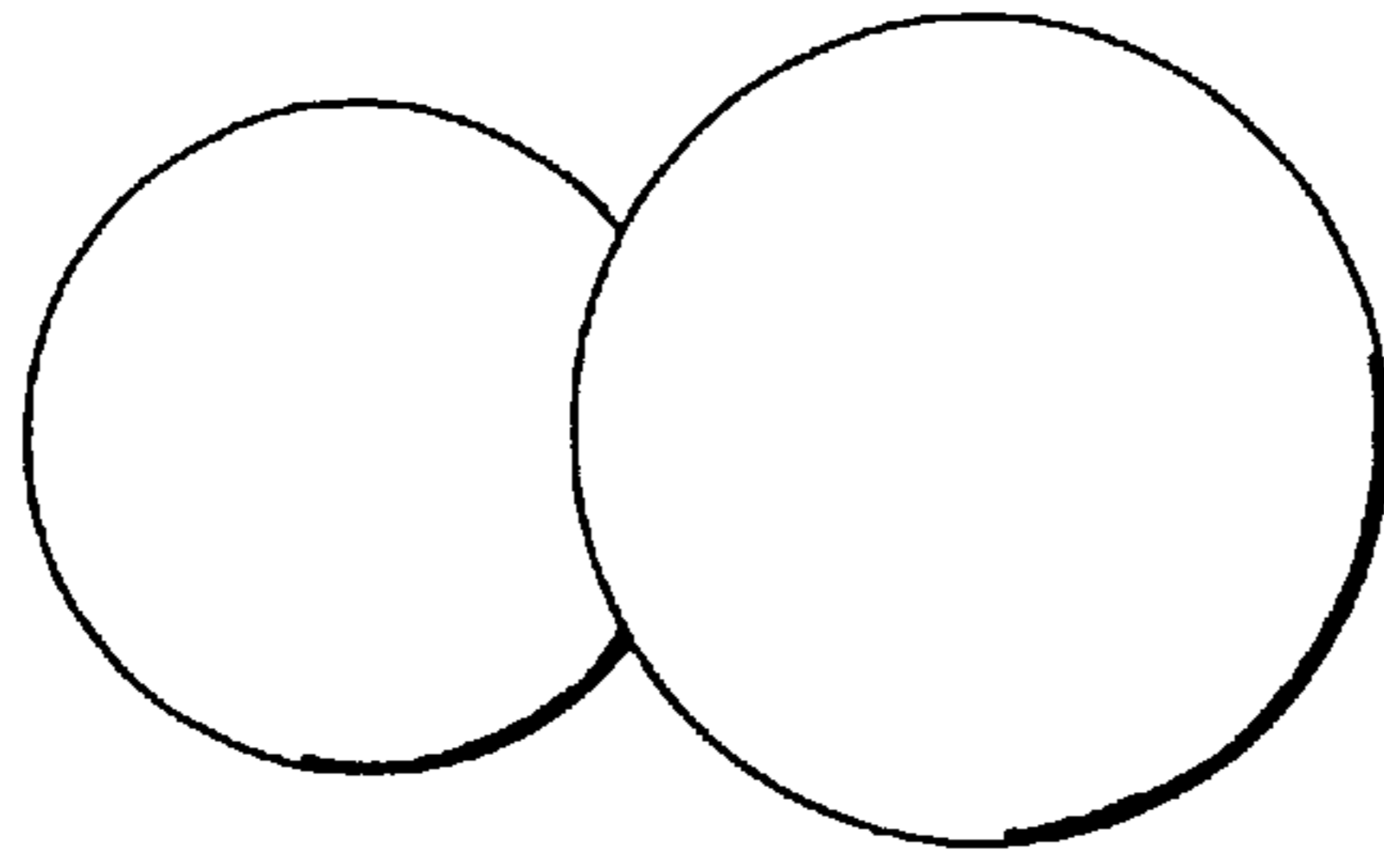


FIG. 7

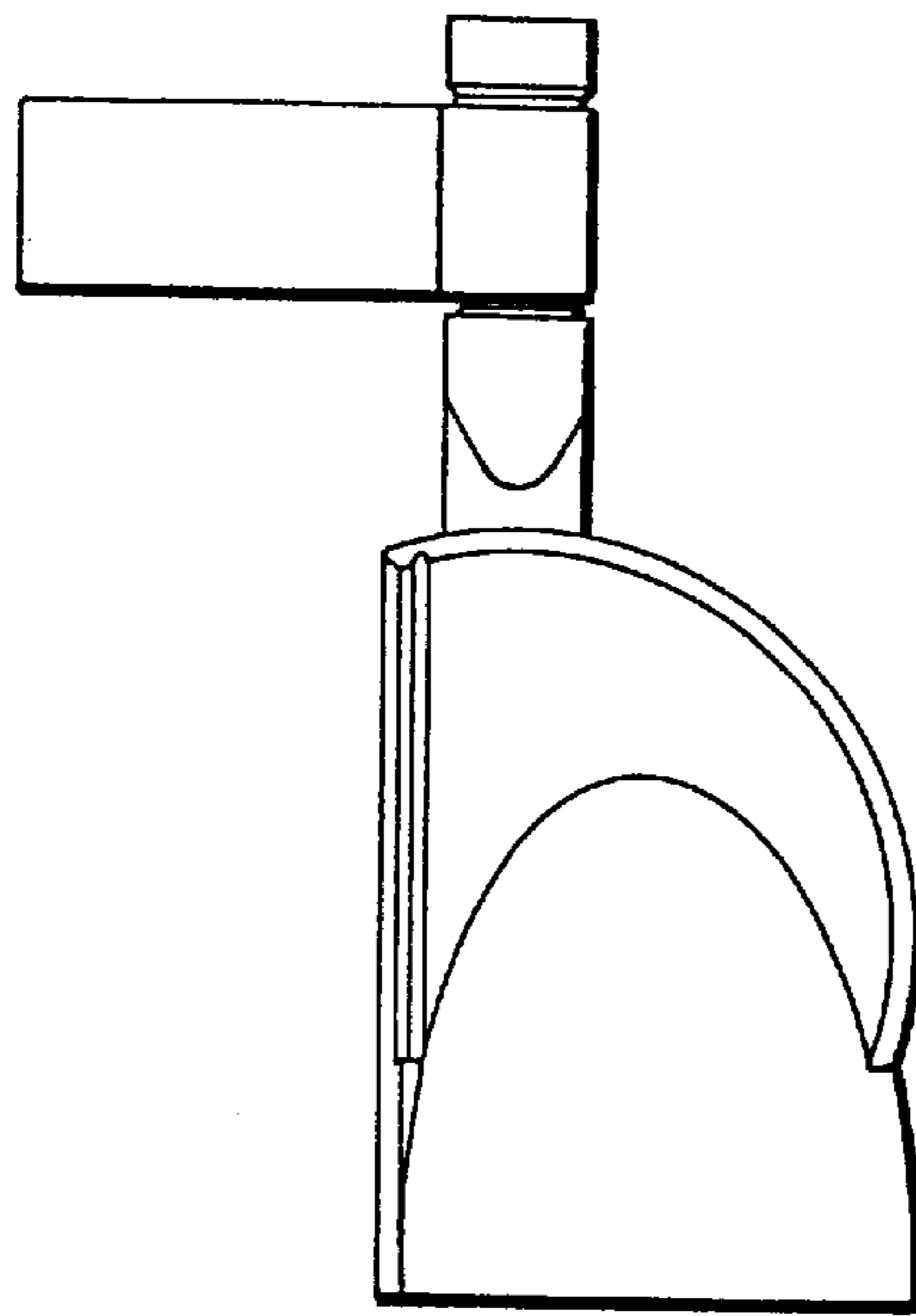


FIG. 8

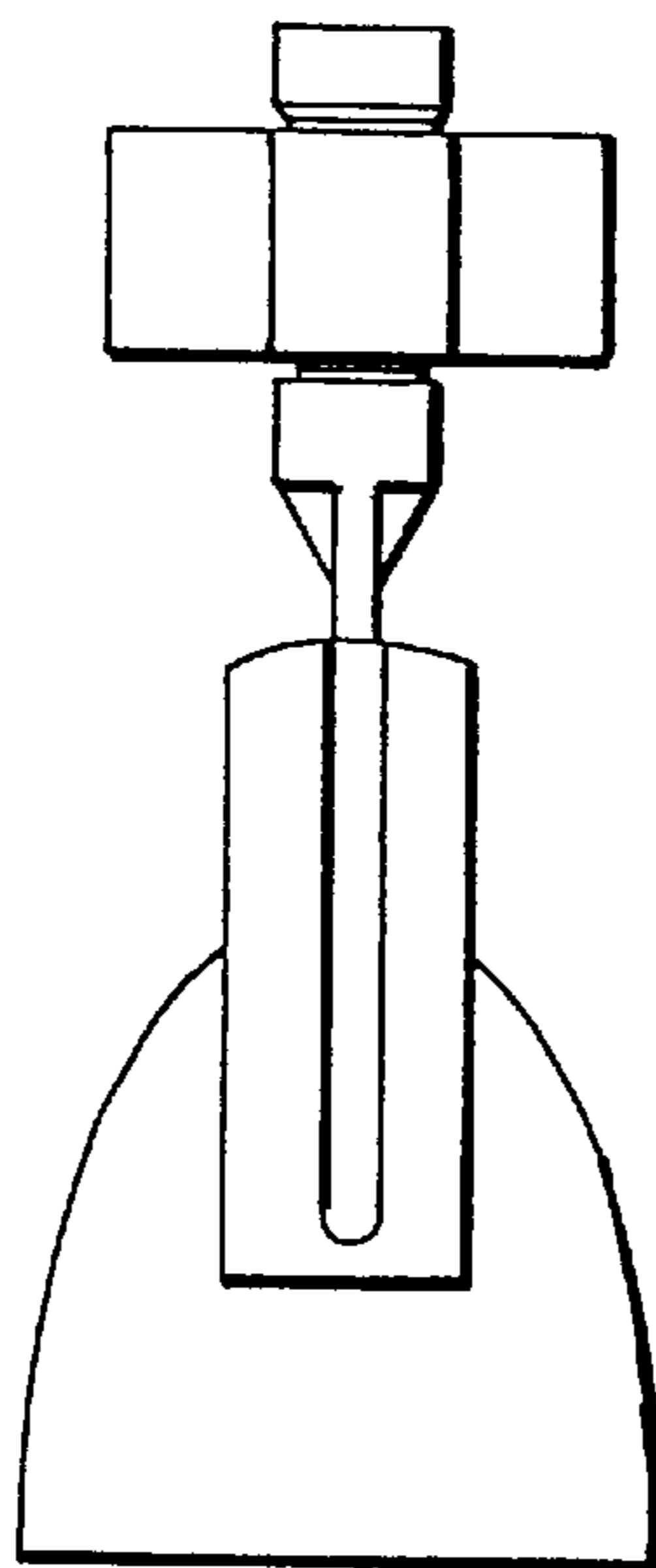


FIG. 9

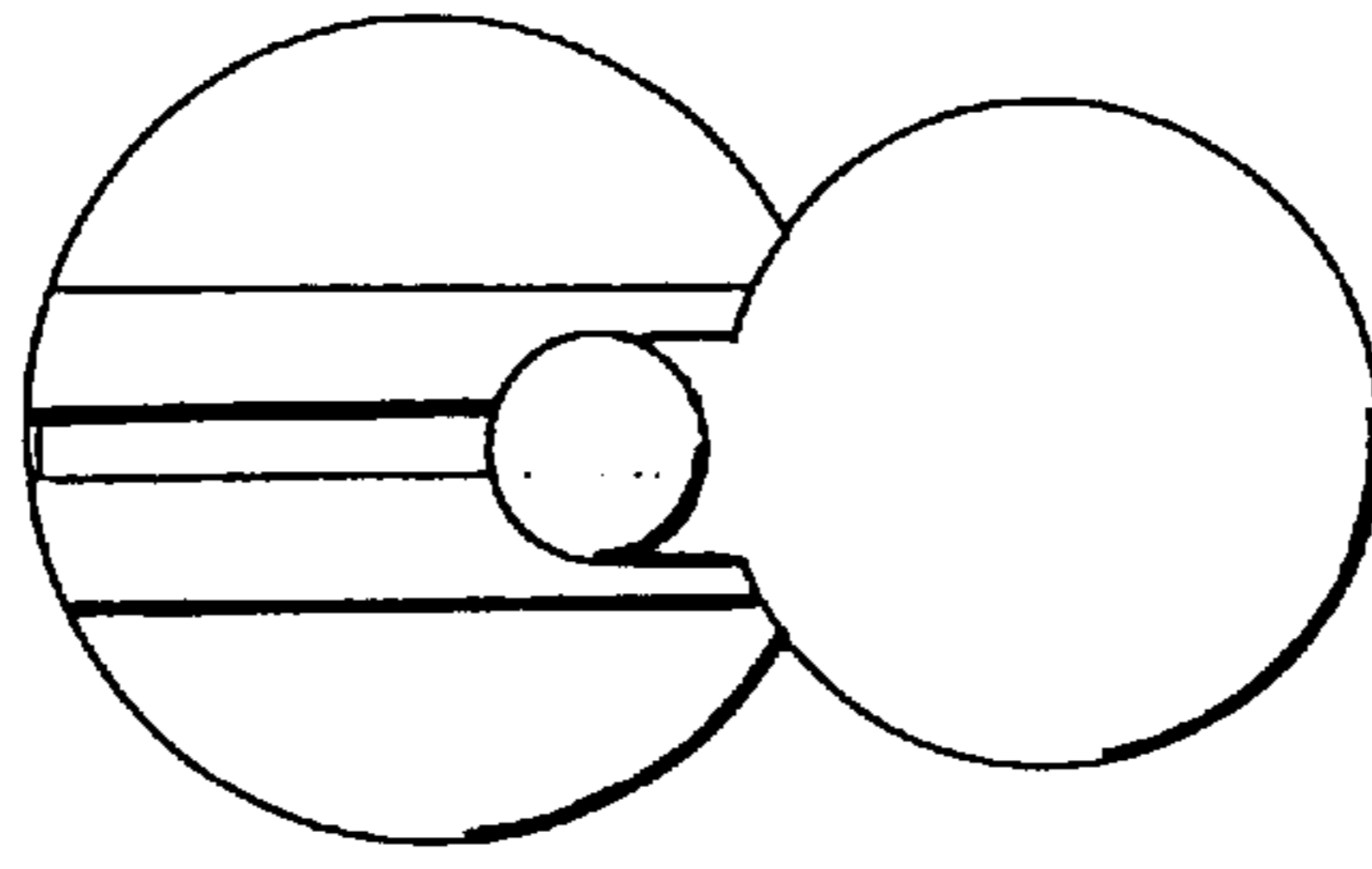


FIG.10

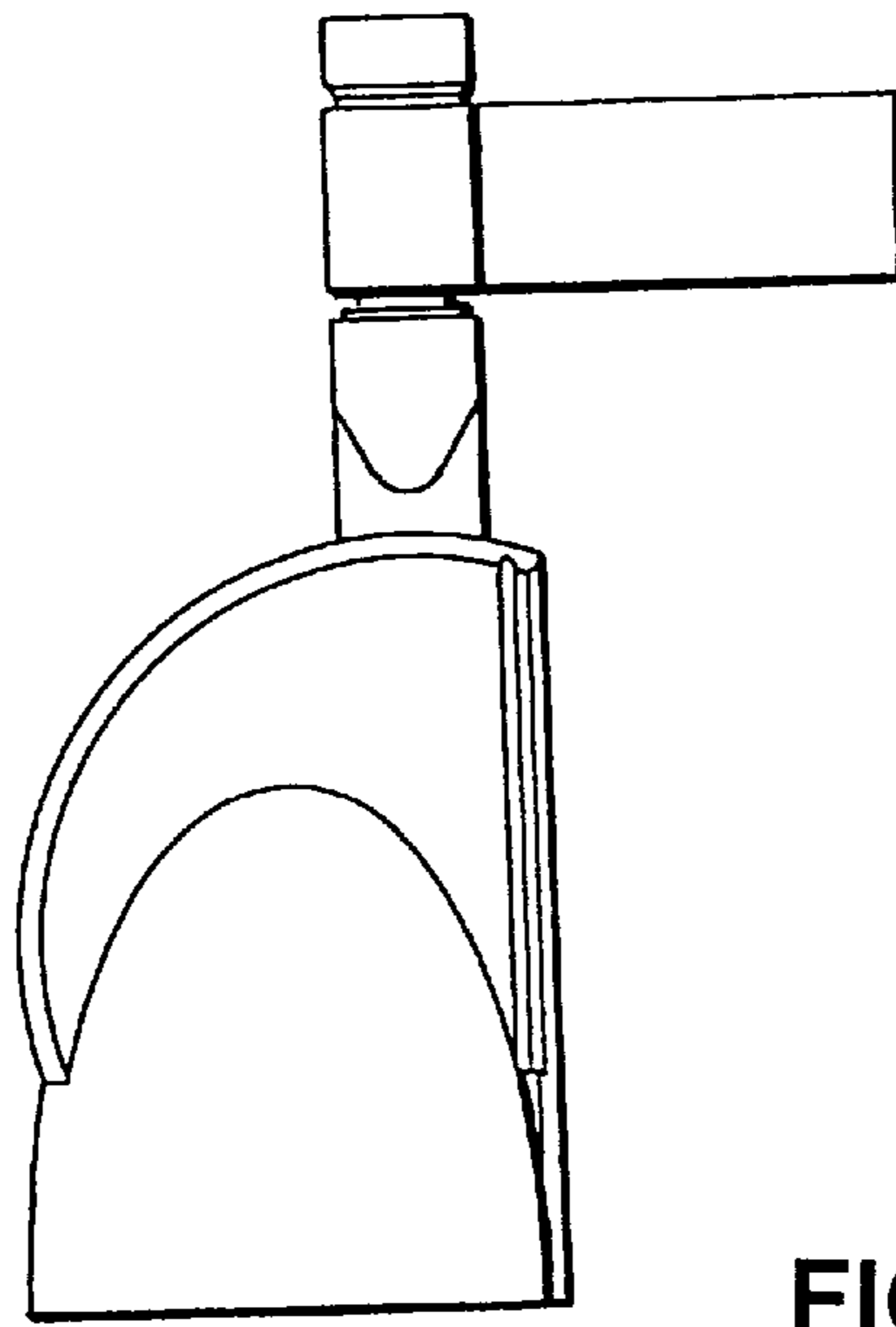


FIG.11

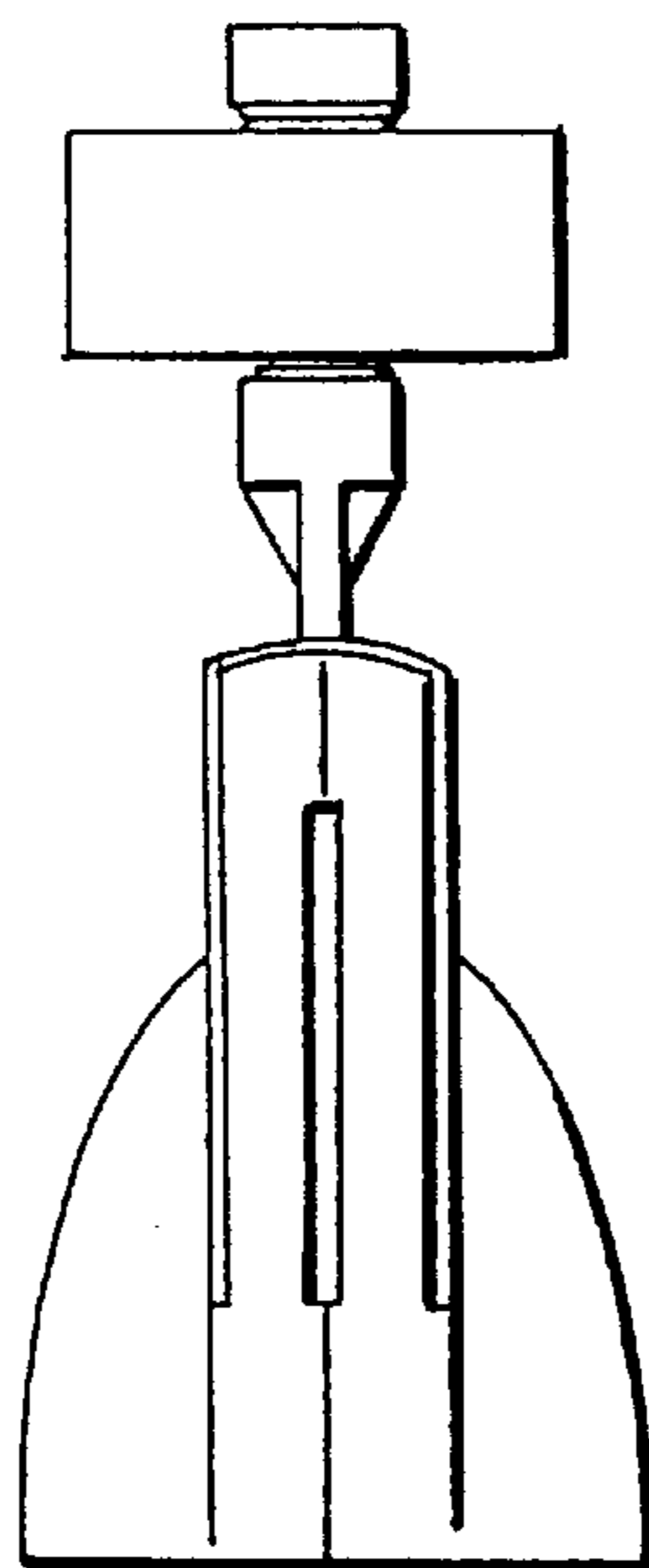


FIG.12