



US00D402070S

**United States Patent** [19]  
**Poon**

[11] **Patent Number: Des. 402,070**

[45] **Date of Patent: \*\*Dec. 1, 1998**

[54] **FLASHLIGHT**

[75] Inventor: **Tit Ying Poon**, Shatin, Hong Kong

[73] Assignee: **Flying Dragon Development Ltd.**,  
Shatin, China

[\*\*] Term: **14 Years**

[21] Appl. No.: **84,974**

[22] Filed: **Mar. 13, 1998**

[51] **LOC (6) Cl.** ..... **26-02**

[52] **U.S. Cl.** ..... **D26/44**

[58] **Field of Search** ..... D26/37-50; 362/157,  
362/158, 183-208

[56] **References Cited**

**U.S. PATENT DOCUMENTS**

D. 324,110	2/1992	Yuen	.....	D26/44
D. 356,649	3/1995	Yuen	.....	D26/44
D. 375,811	11/1996	Hon	.....	D26/44

*Primary Examiner*—Marcus A. Jackson  
*Attorney, Agent, or Firm*—Alix, Yale & Ristas, LLP

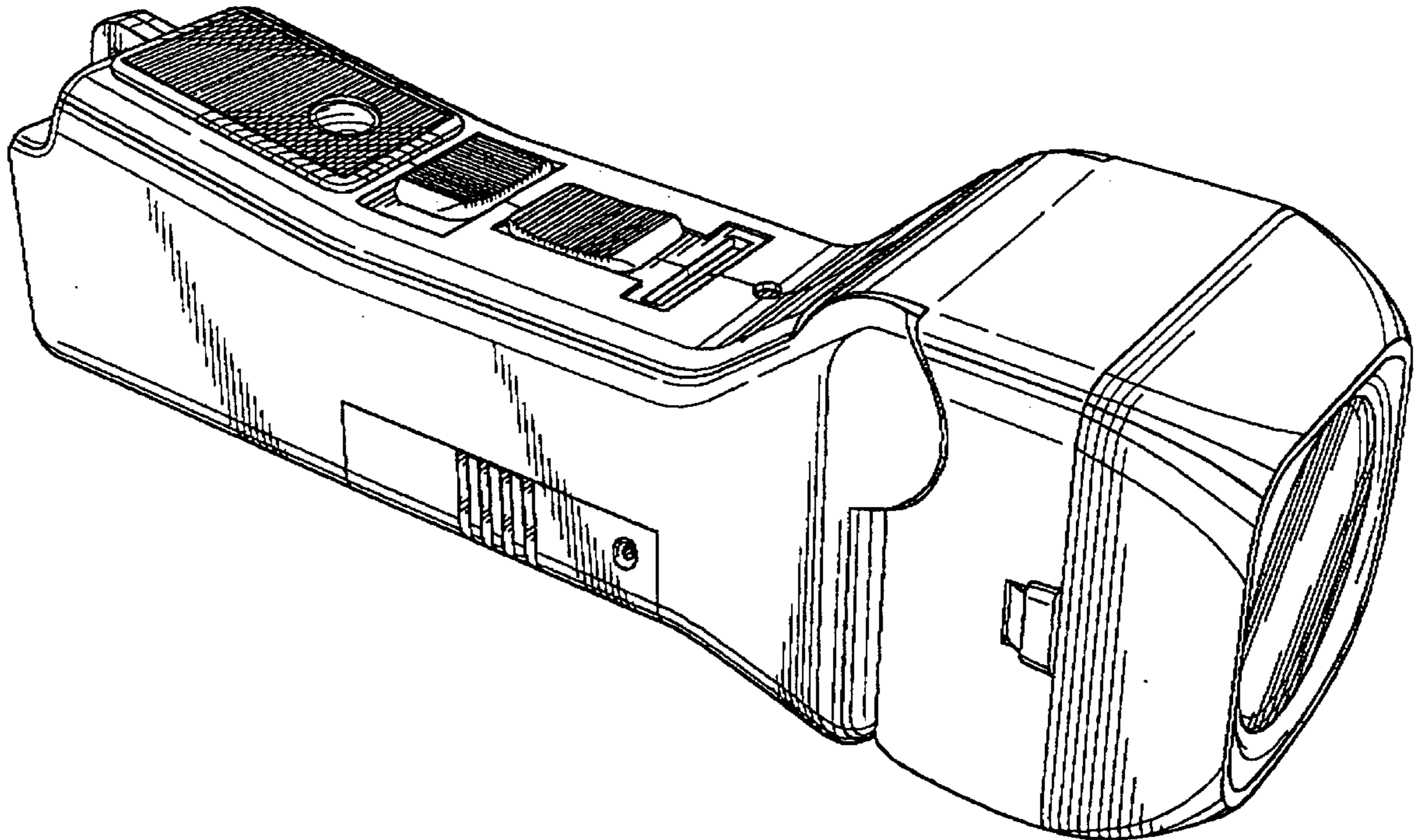
[57] **CLAIM**

The ornamental design for a flashlight, as shown and described.

**DESCRIPTION**

FIG. 1 is a perspective view of the flashlight of the invention;  
 FIG. 2 is a perspective view in an alternated position of the flashlight of FIG. 1;  
 FIG. 3 is a perspective view in a second alternated position of the flashlight of FIG. 1 viewed generally from the bottom thereof;  
 FIG. 4 is a front elevation view of the flashlight of FIG. 1;  
 FIG. 5 is a rear elevation view of the flashlight of FIG. 1;  
 FIG. 6 is a right side view of the flashlight of FIG. 1;  
 FIG. 7 is a left side view of the flashlight of FIG. 1;  
 FIG. 8 is a top plan view of the flashlight of FIG. 1; and,  
 FIG. 9 is a bottom plan view of the flashlight of FIG. 1.

**1 Claim, 6 Drawing Sheets**



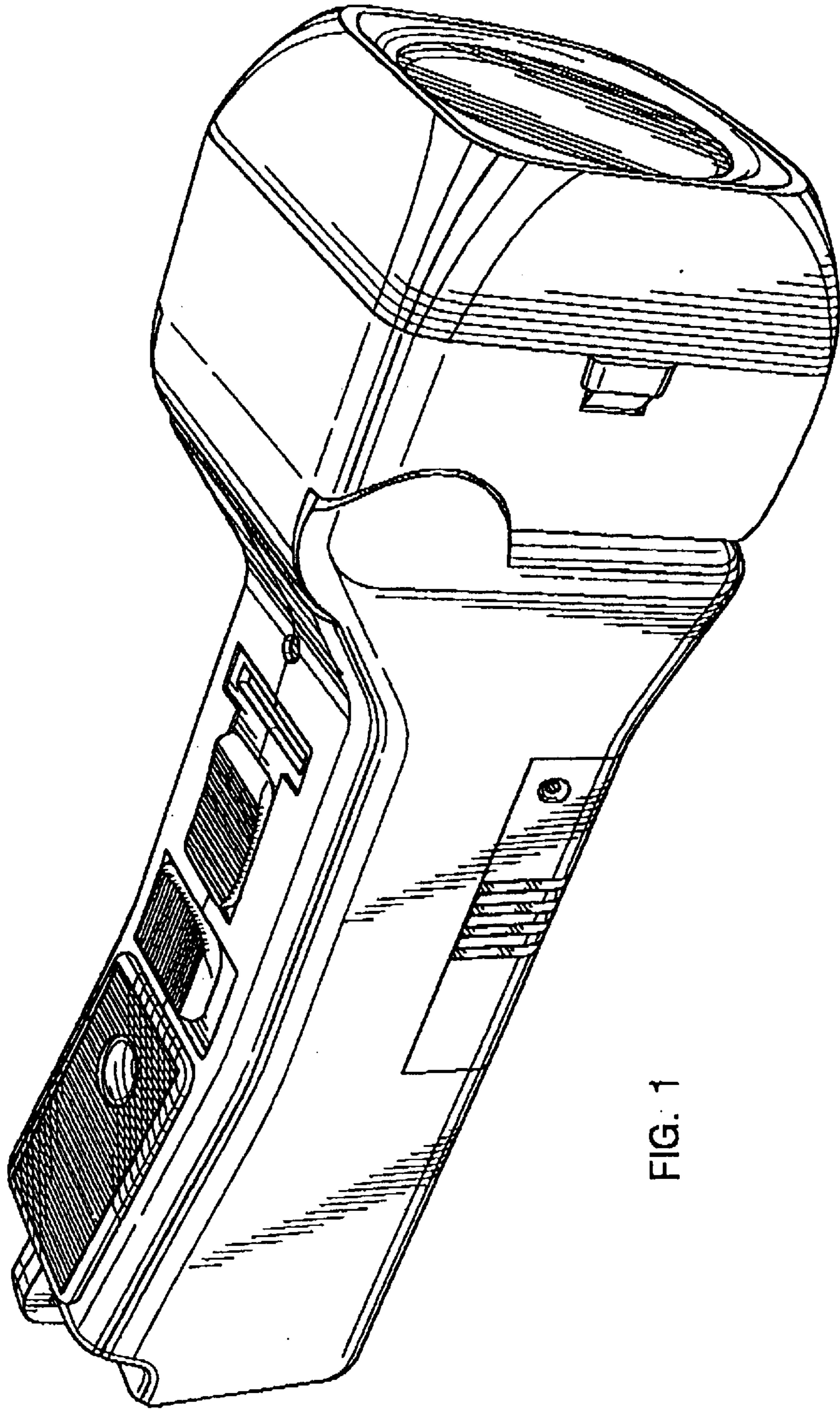


FIG. 1

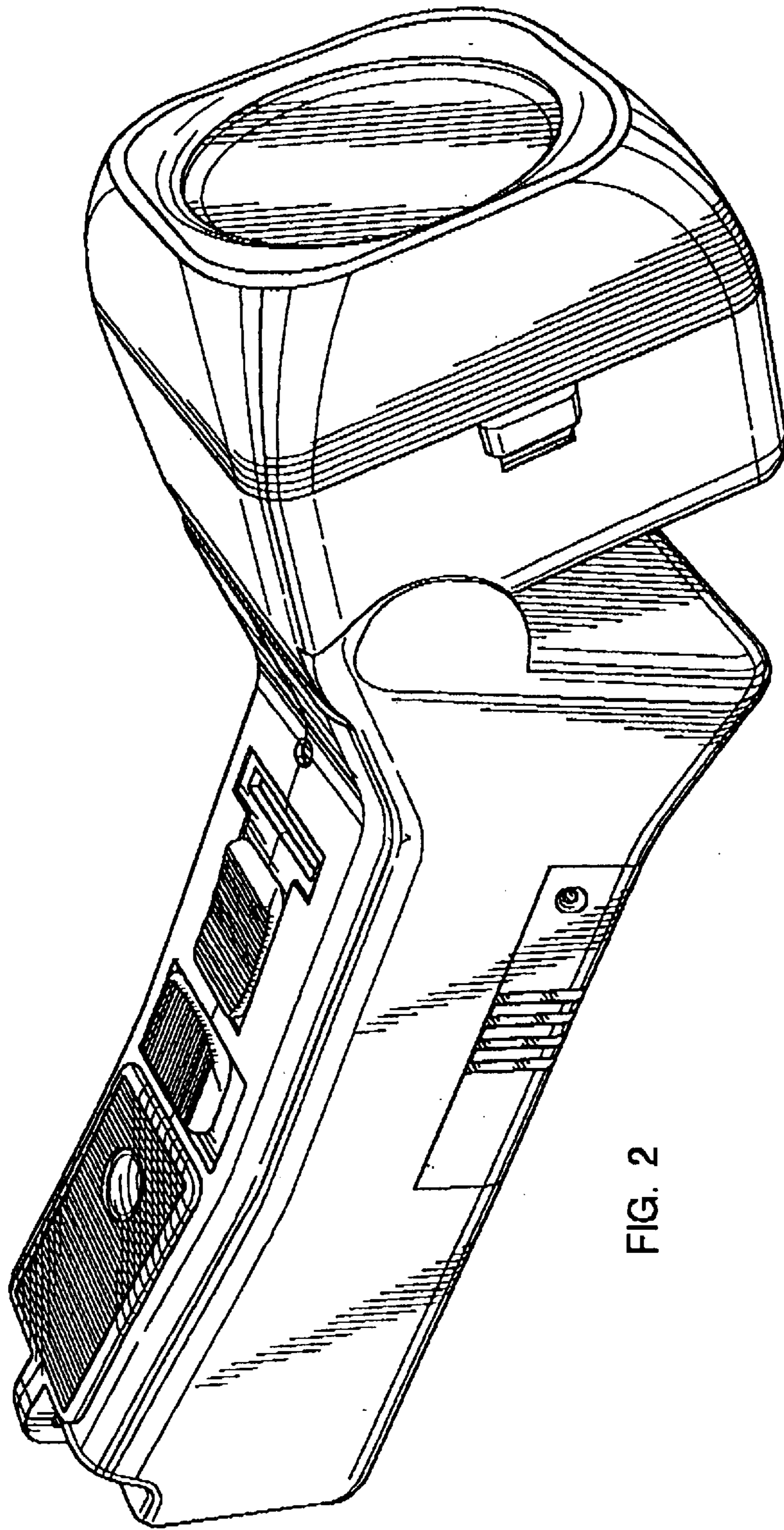


FIG. 2

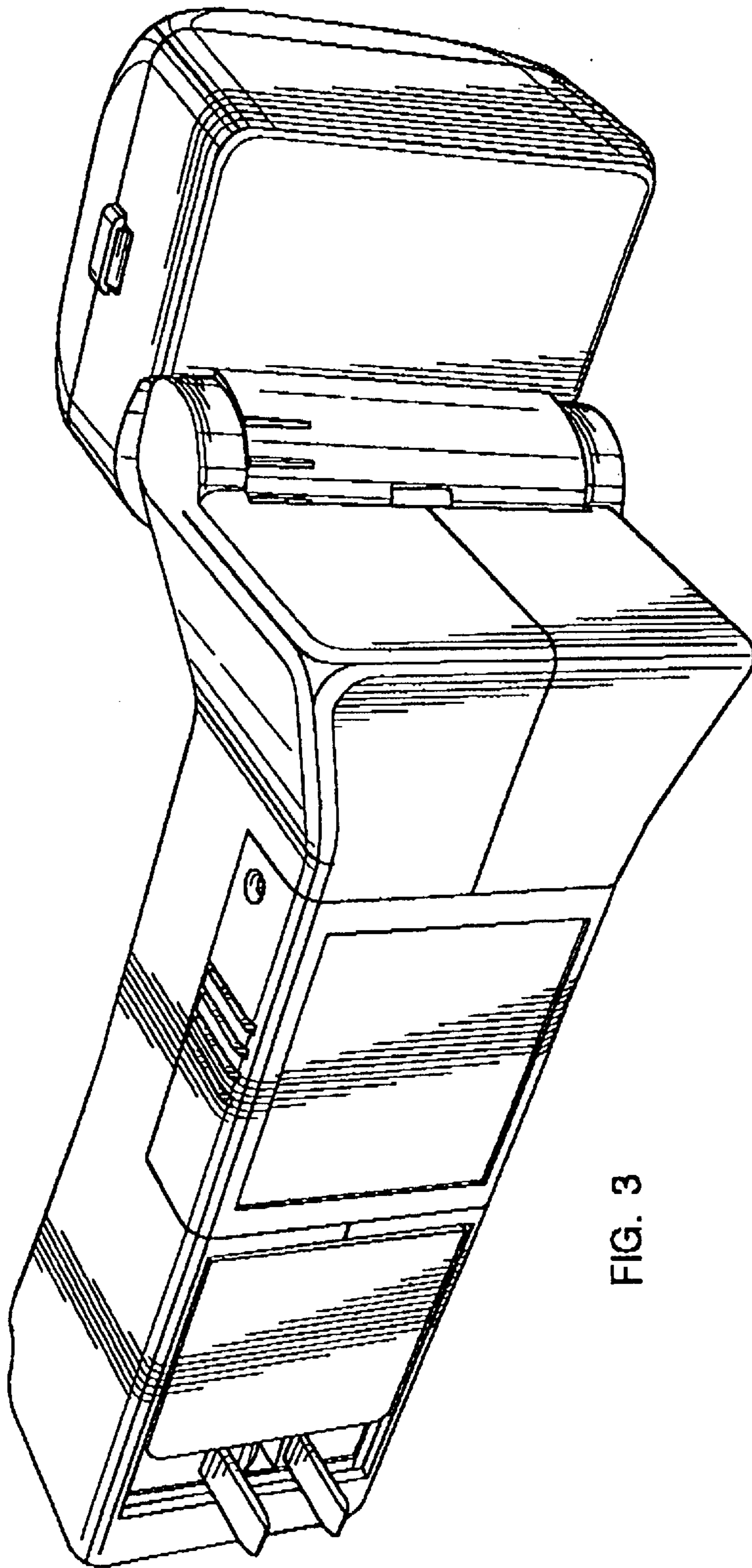
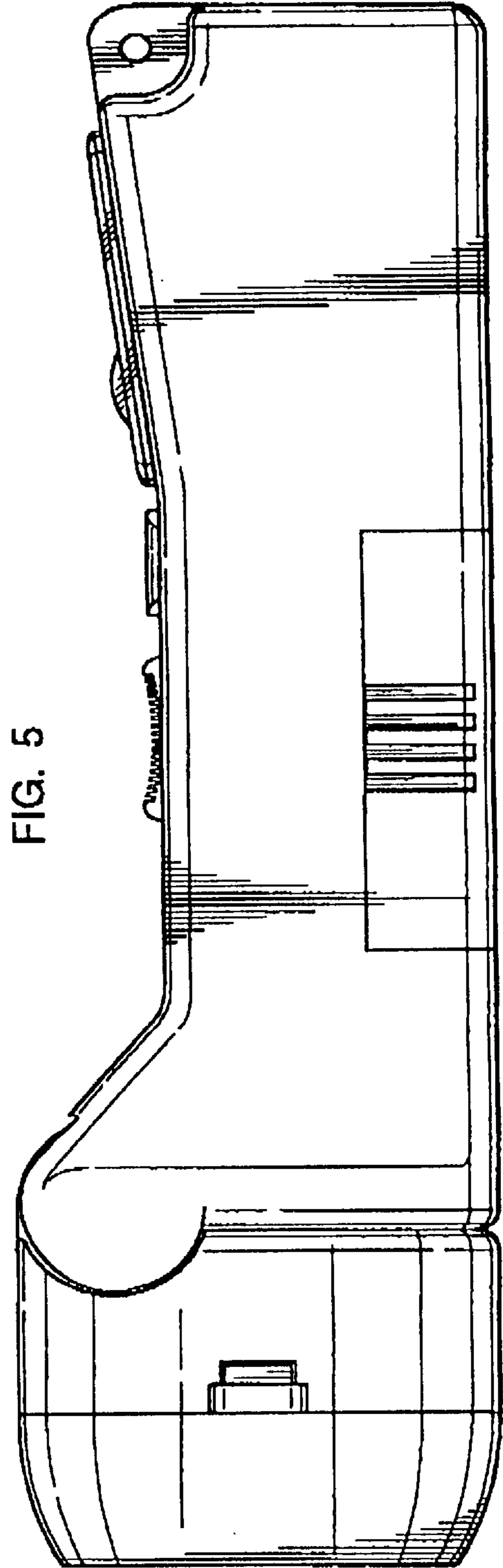
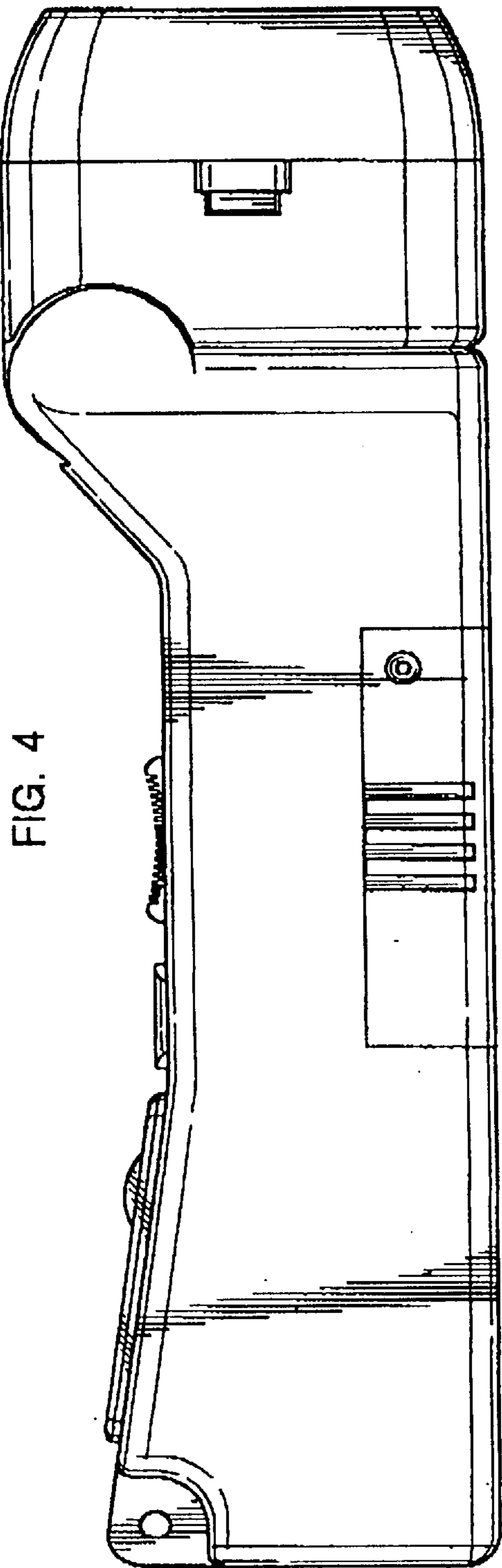


FIG. 3



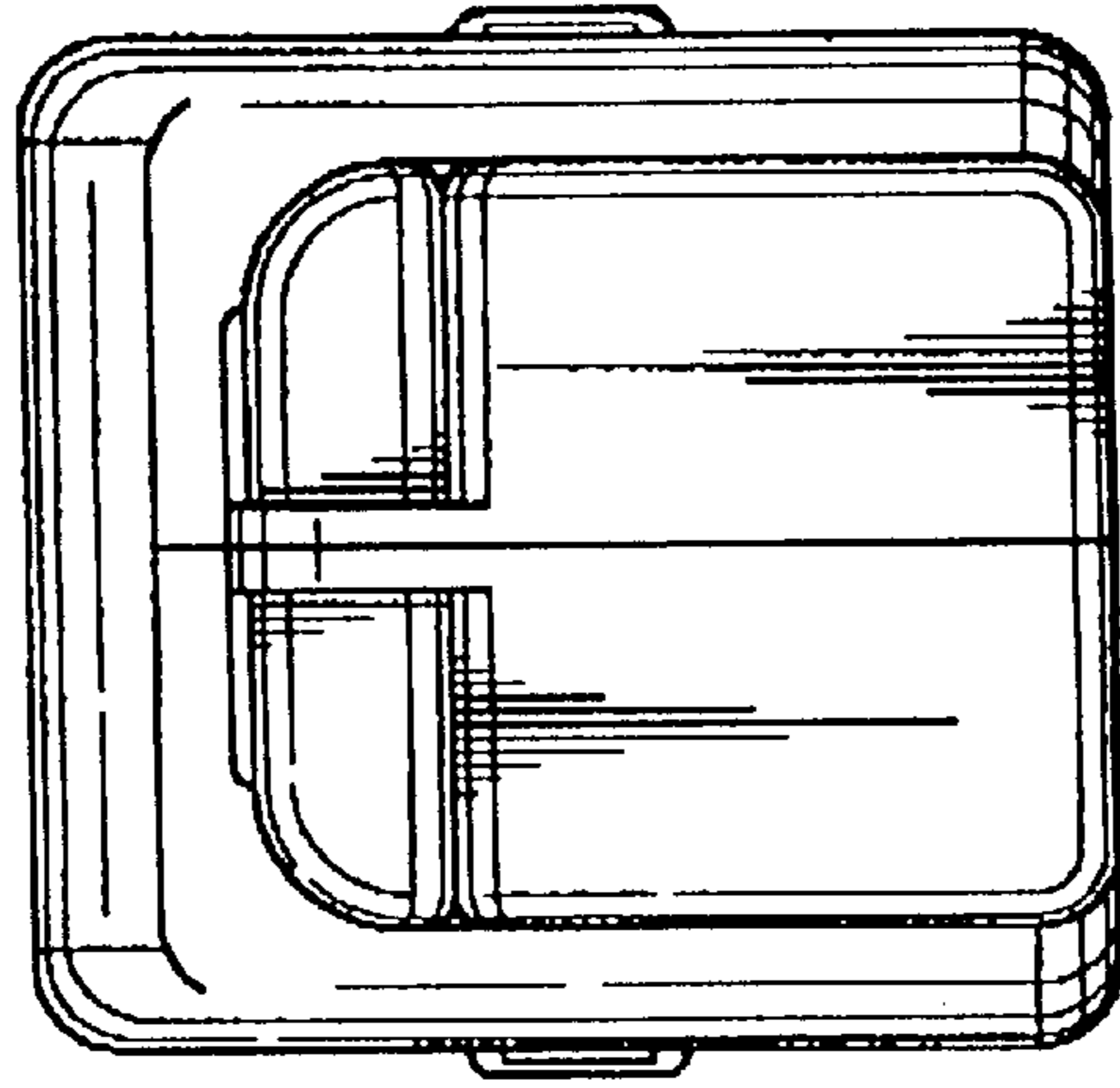


FIG. 7

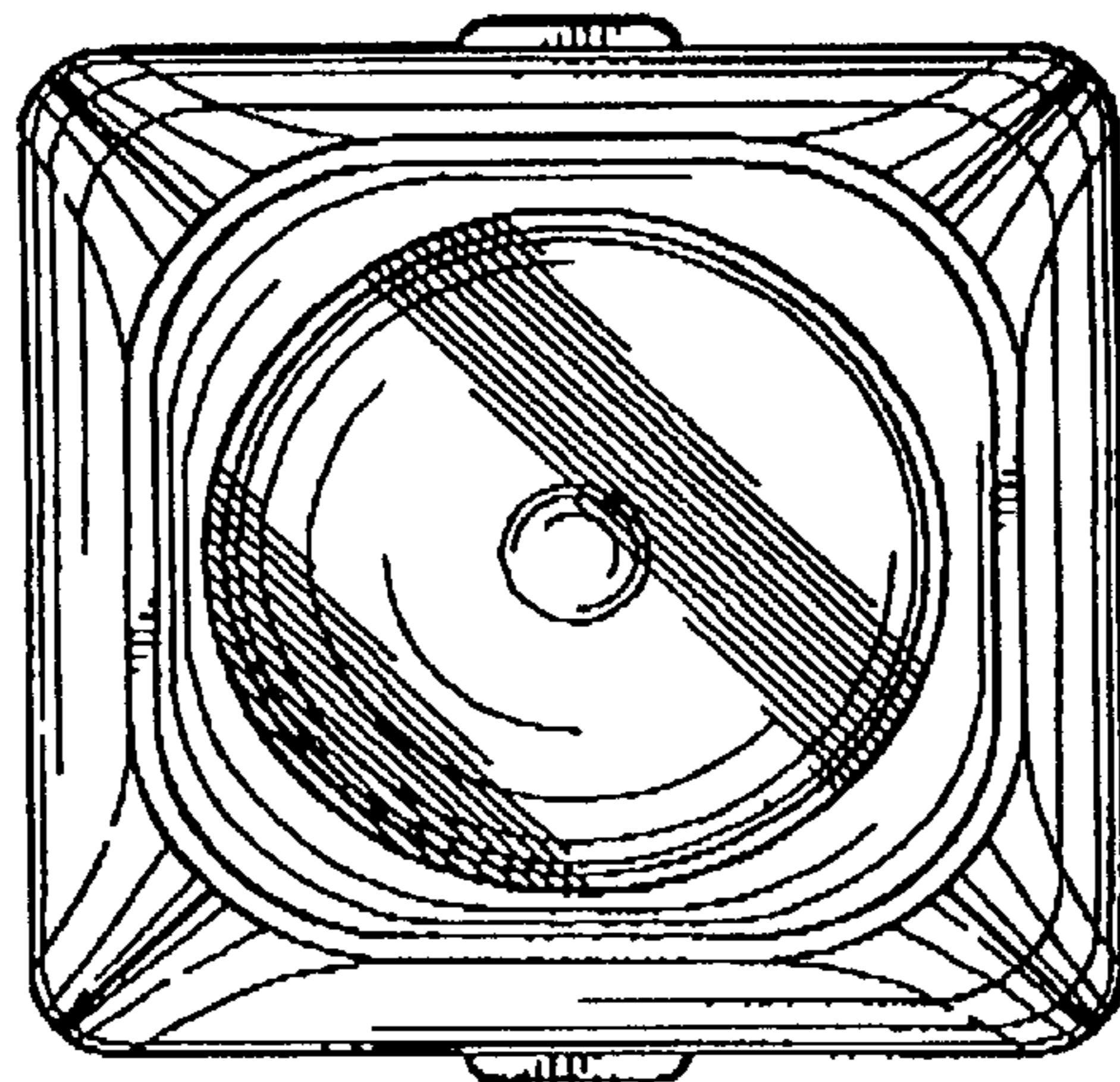


FIG. 6

FIG. 8

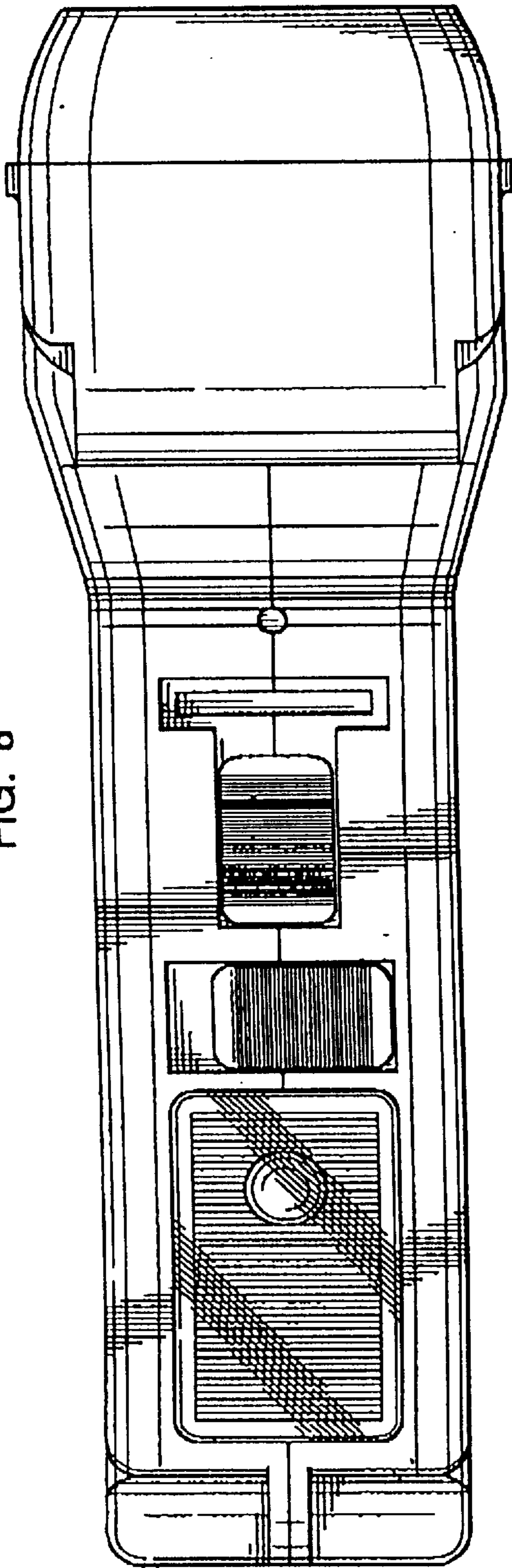


FIG. 9

