



US00D402066S

United States Patent [19] Cheng

[11] **Patent Number: Des. 402,066**

[45] **Date of Patent: **Dec. 1, 1998**

[54] **LIGHT PATTERN GENERATOR**

4,887,197 12/1989 Effinger 362/306

[75] Inventor: **Sai-Man Cheng**, Kowloon, Hong Kong

Primary Examiner—Susan J. Lucas
Attorney, Agent, or Firm—Burns, Doane, Swecker & Mathis, L.L.P

[73] Assignee: **N.C.W. Enterprises Co. Ltd.**, Hong Kong, Hong Kong

[**] Term: **14 Years**

[57] **CLAIM**

The ornamental design for a “light pattern generator,” as shown and described.

[21] Appl. No.: **69,052**

DESCRIPTION

[22] Filed: **Mar. 20, 1997**

[51] **LOC (6) Cl.** **26-05**

FIG. 1 is a front view of a “Light Pattern Generator” showing our design;

[52] **U.S. Cl.** **D26/63; D26/63**

FIG. 2 is a rear view thereof;

[58] **Field of Search** D26/24, 63, 65;

FIG. 3 is a left side elevational view thereof;

362/806, 811, 306, 259, 418, 419, 427, 267; 430/945

FIG. 4 is a right side elevational view thereof;

FIG. 5 is a top plan view thereof, with the bracket being fragmentarily shown for purposes of disclosure;

[56] **References Cited**

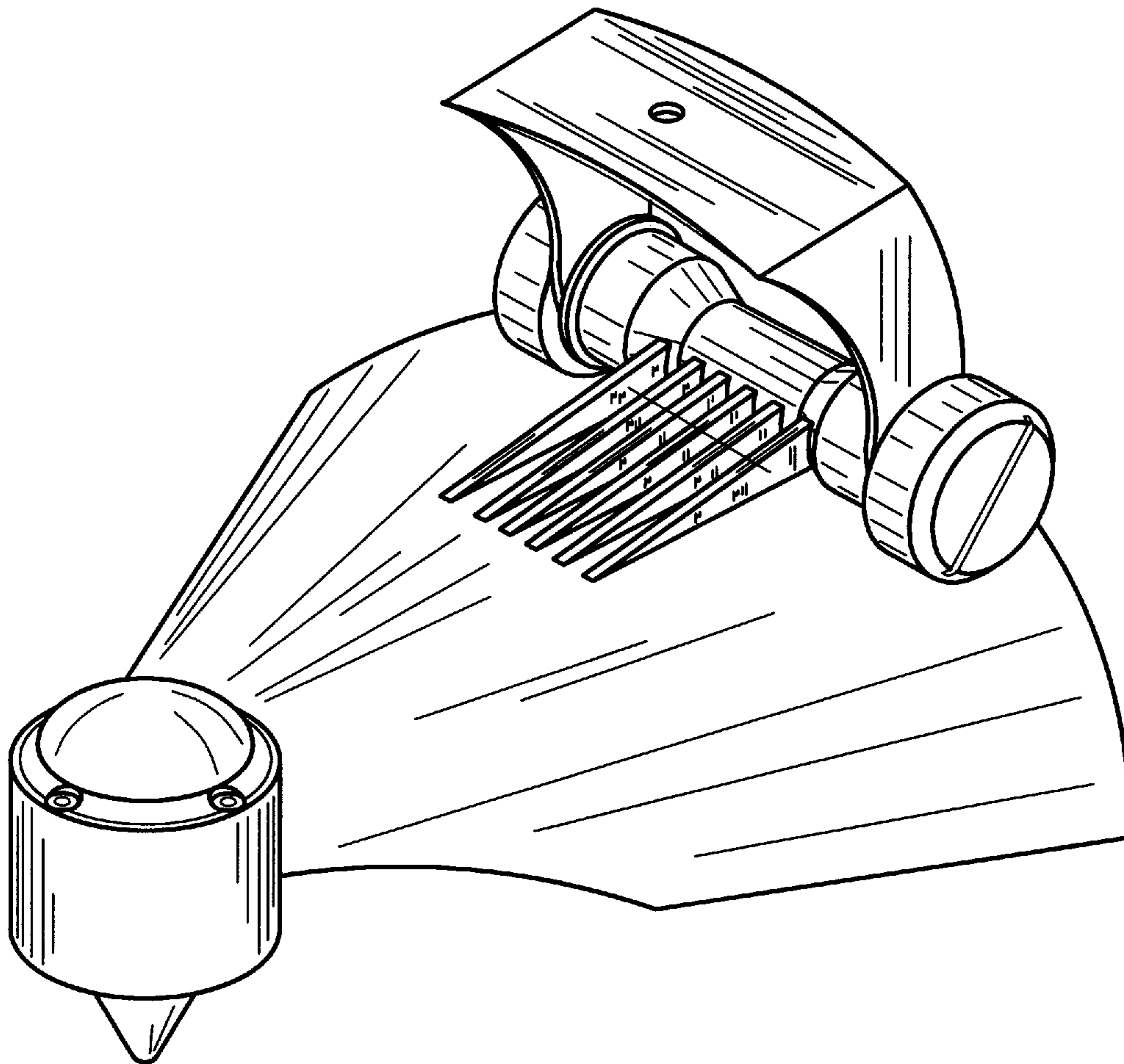
U.S. PATENT DOCUMENTS

FIG. 6 is a bottom plan view thereof; and,

FIG. 7 is a perspective view thereof.

4,346,640 8/1982 Zeno et al. 84/464 X

1 Claim, 4 Drawing Sheets



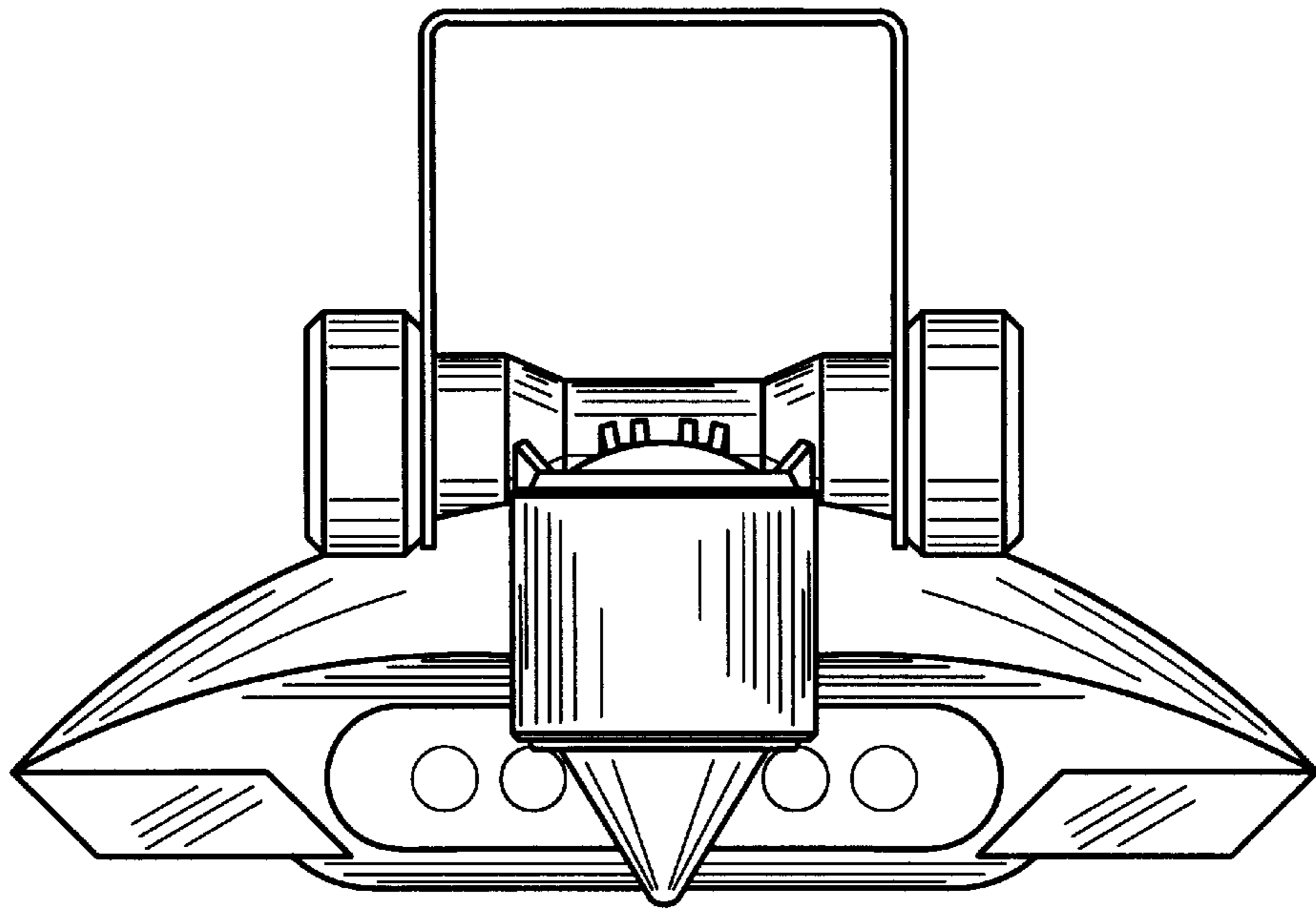


FIG. 1

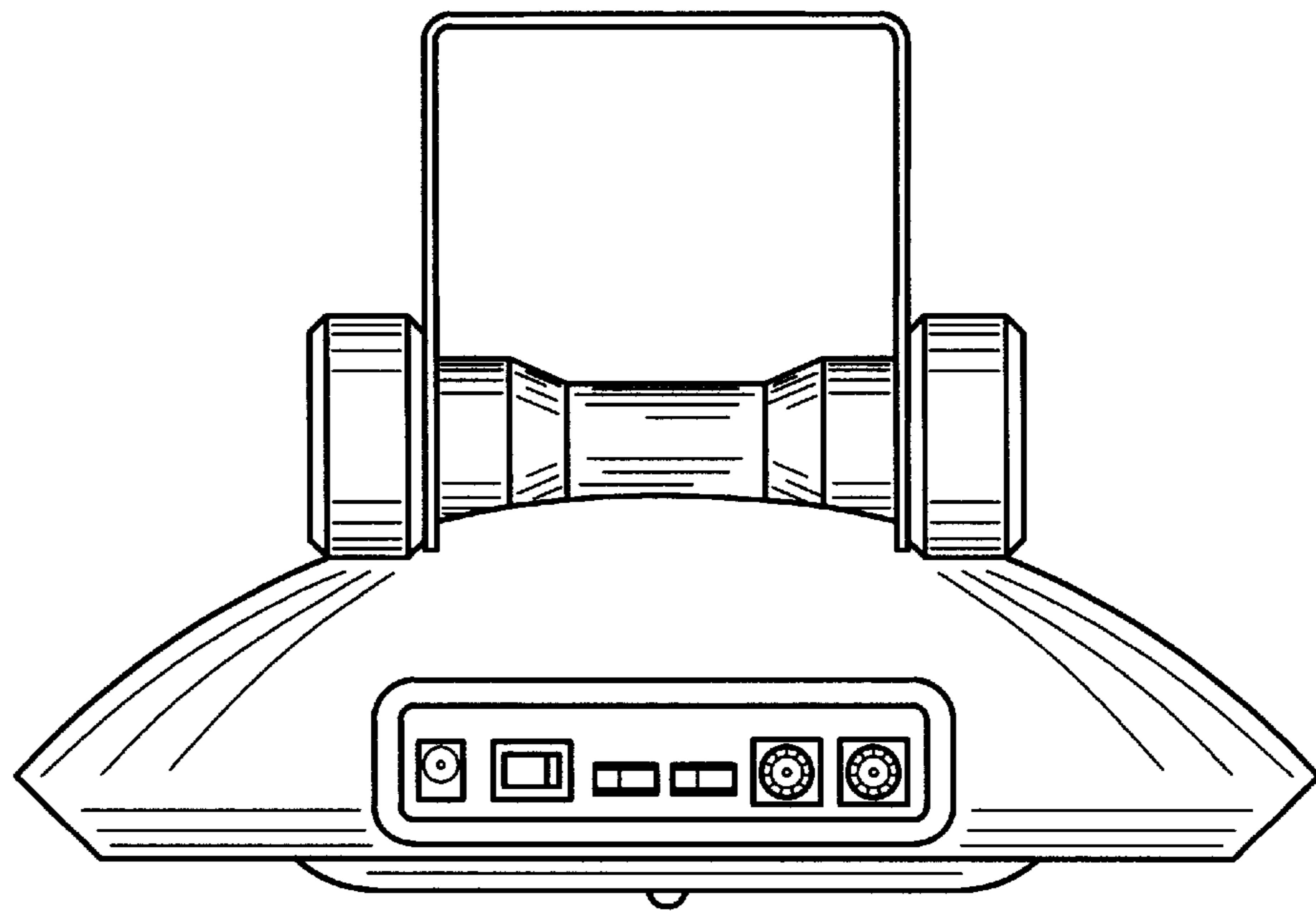


FIG. 2

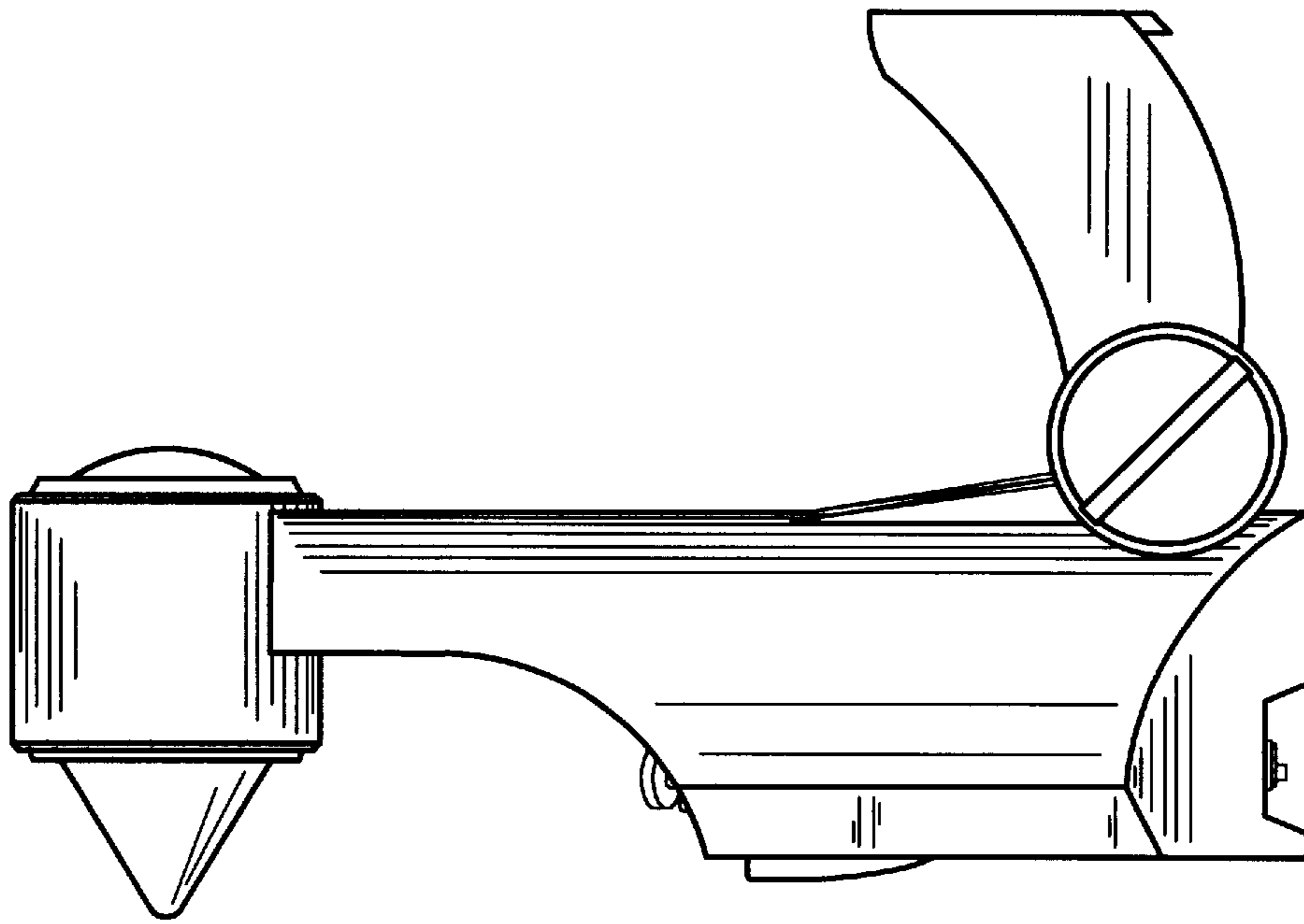


FIG. 3

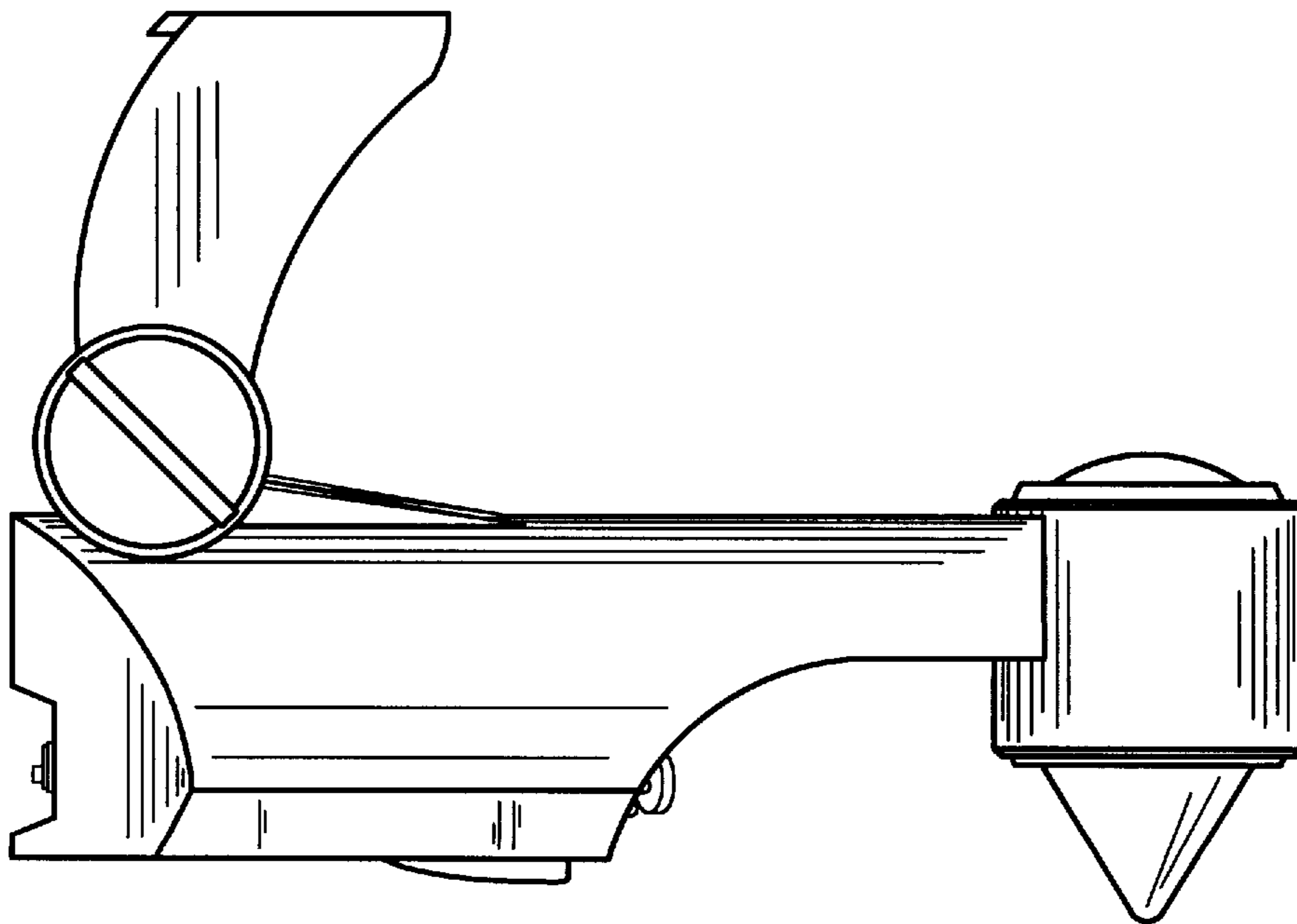


FIG. 4

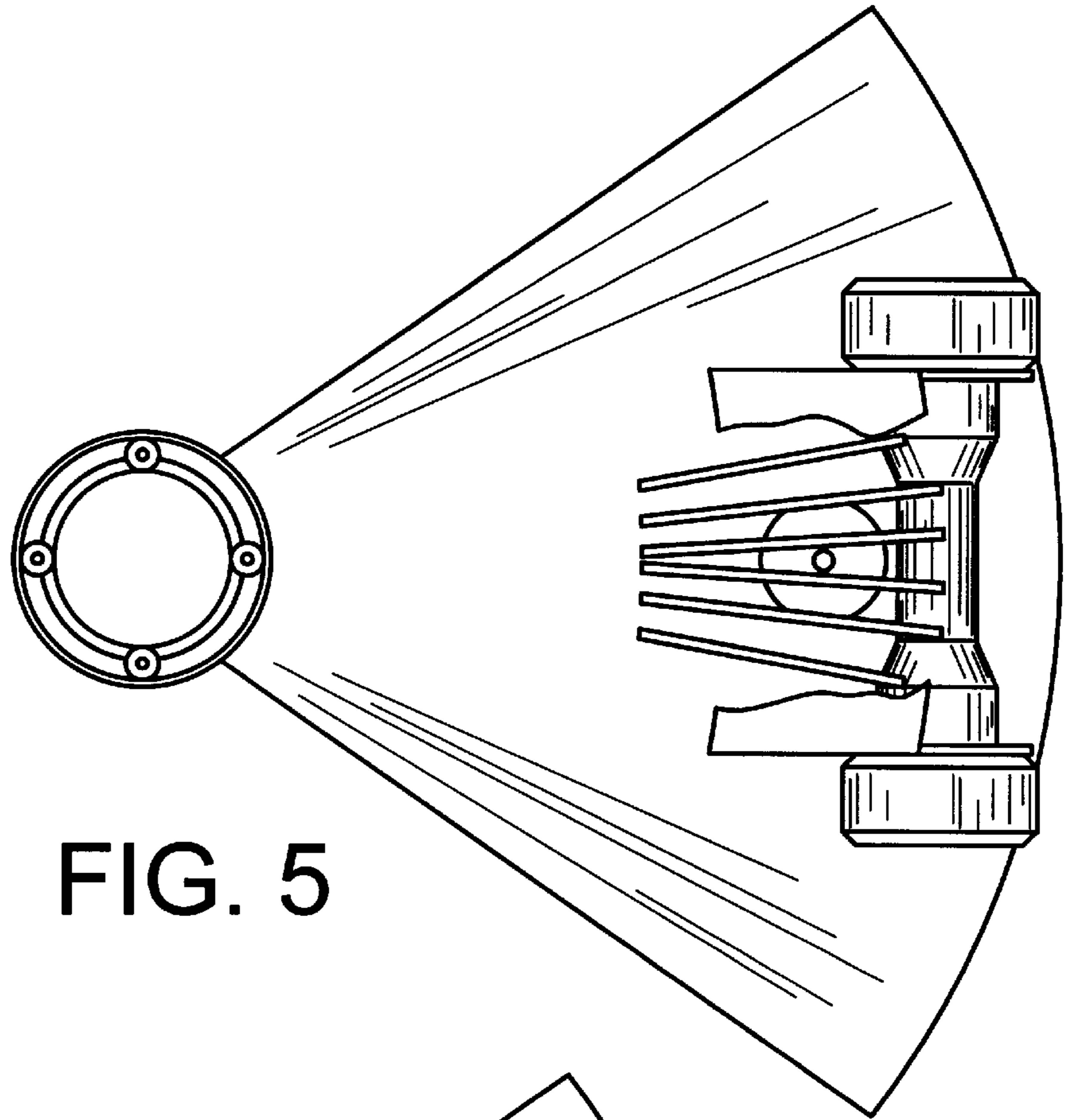


FIG. 5

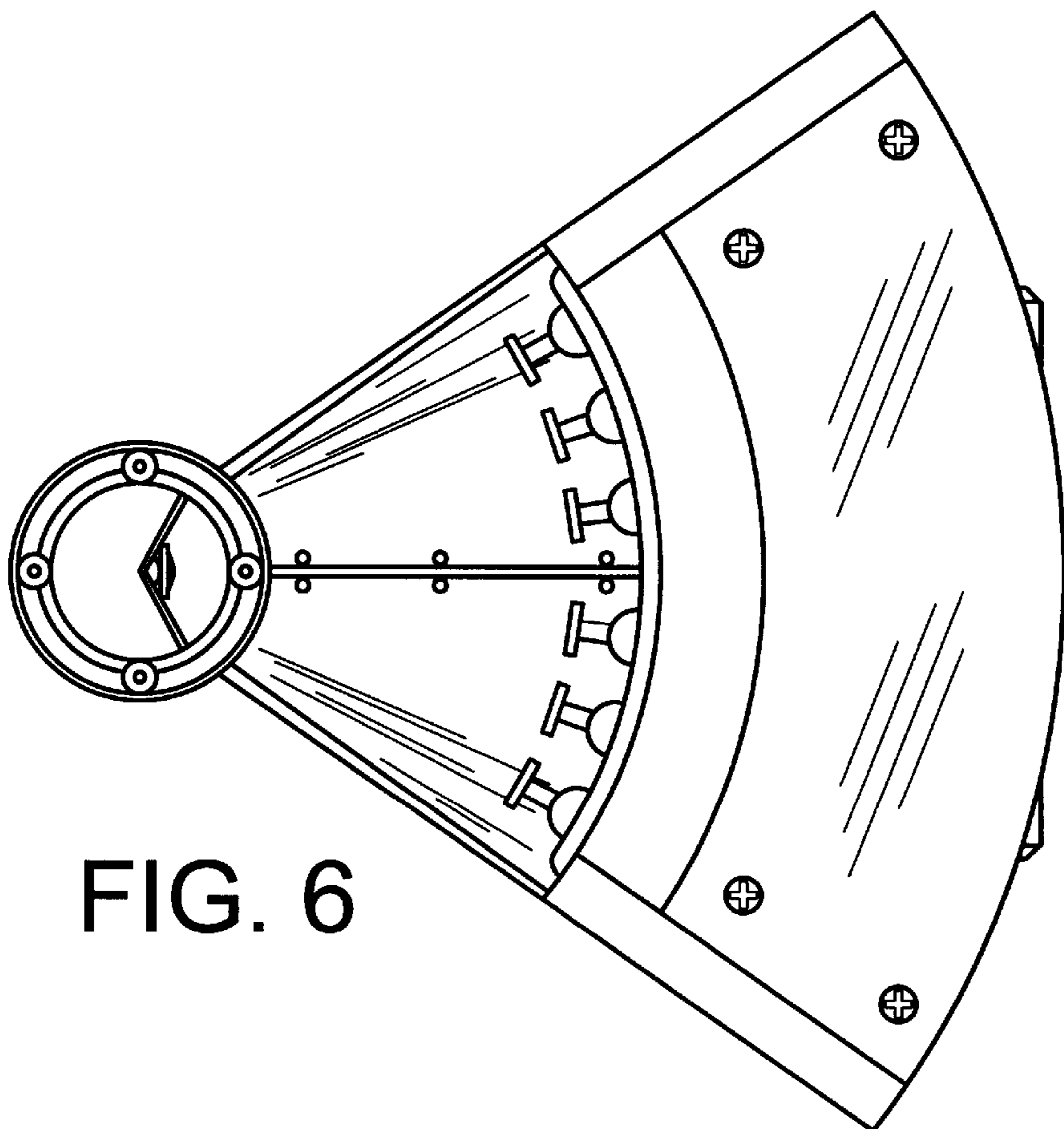


FIG. 6

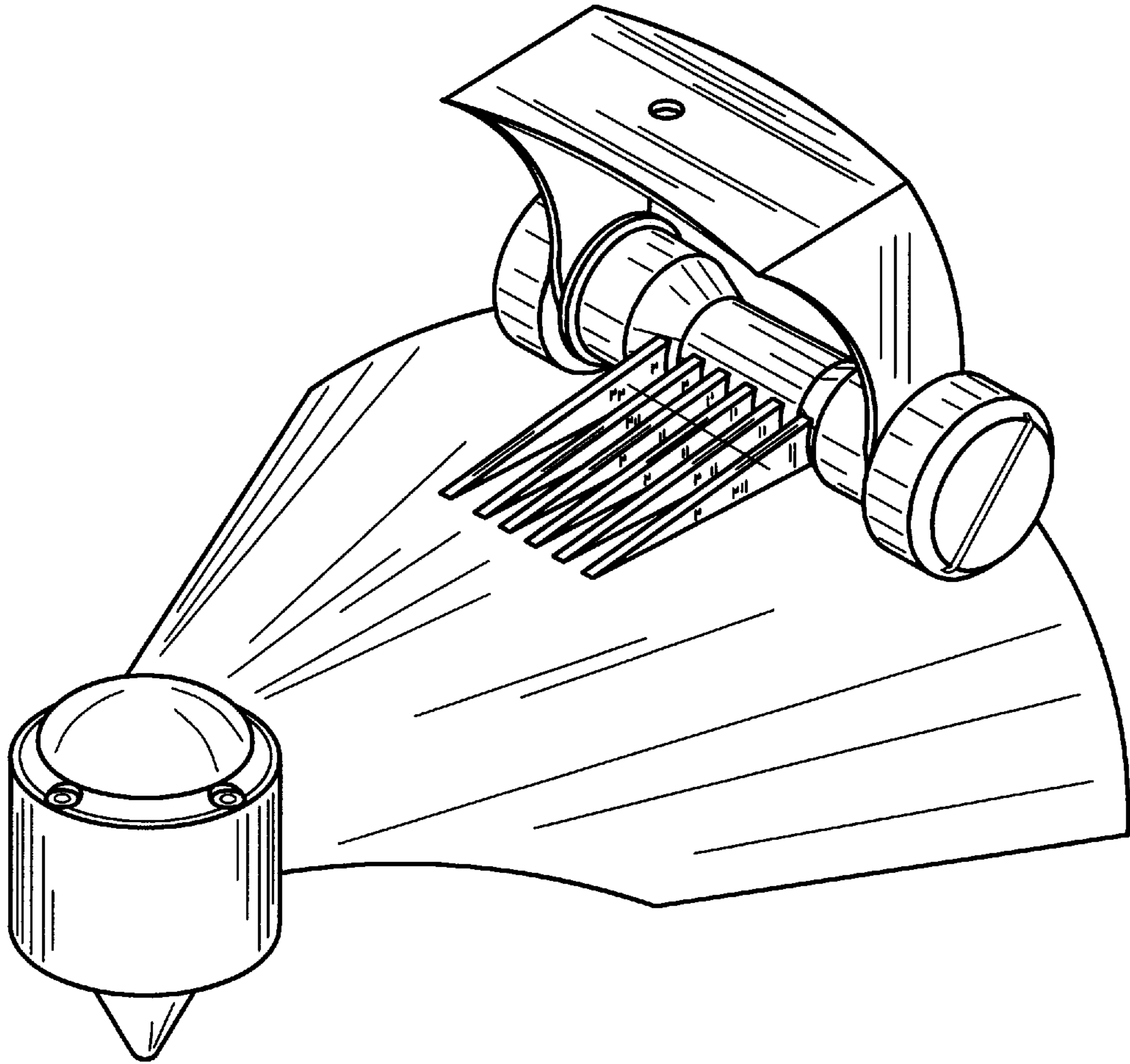


FIG. 7