



US00D402052S

United States Patent [19]
Leonelli

[11] **Patent Number: Des. 402,052**

[45] **Date of Patent: **Dec. 1, 1998**

[54] **WINDOW FRAME COMPONENT**

D. 379,532 5/1997 DiGiorgio D25/124
D. 381,095 7/1997 DiGiorgio D25/124

[75] Inventor: **Louie Leonelli**, Woodbridge, Canada

[73] Assignee: **Pillar Plastics Limited**, Woodbridge, Canada

Primary Examiner—Doris Clark

[**] Term: **14 Years**

[57] **CLAIM**

[21] Appl. No.: **81,054**

The ornamental design for a window frame component, as shown and described.

[22] Filed: **Dec. 19, 1997**

DESCRIPTION

[51] **LOC (6) Cl.** **25-01**

[52] **U.S. Cl.** **D25/124**

[58] **Field of Search** D25/124, 60, 52, D25/119-125; 49/DIG. 2, 504, 505, 404, 413, 419, 407-408; 52/204.56, 204.51, 730.3, 205.1, 202

FIG. 1 is a perspective view of the window frame component; and,

FIG. 2 is an end view of the window frame component.

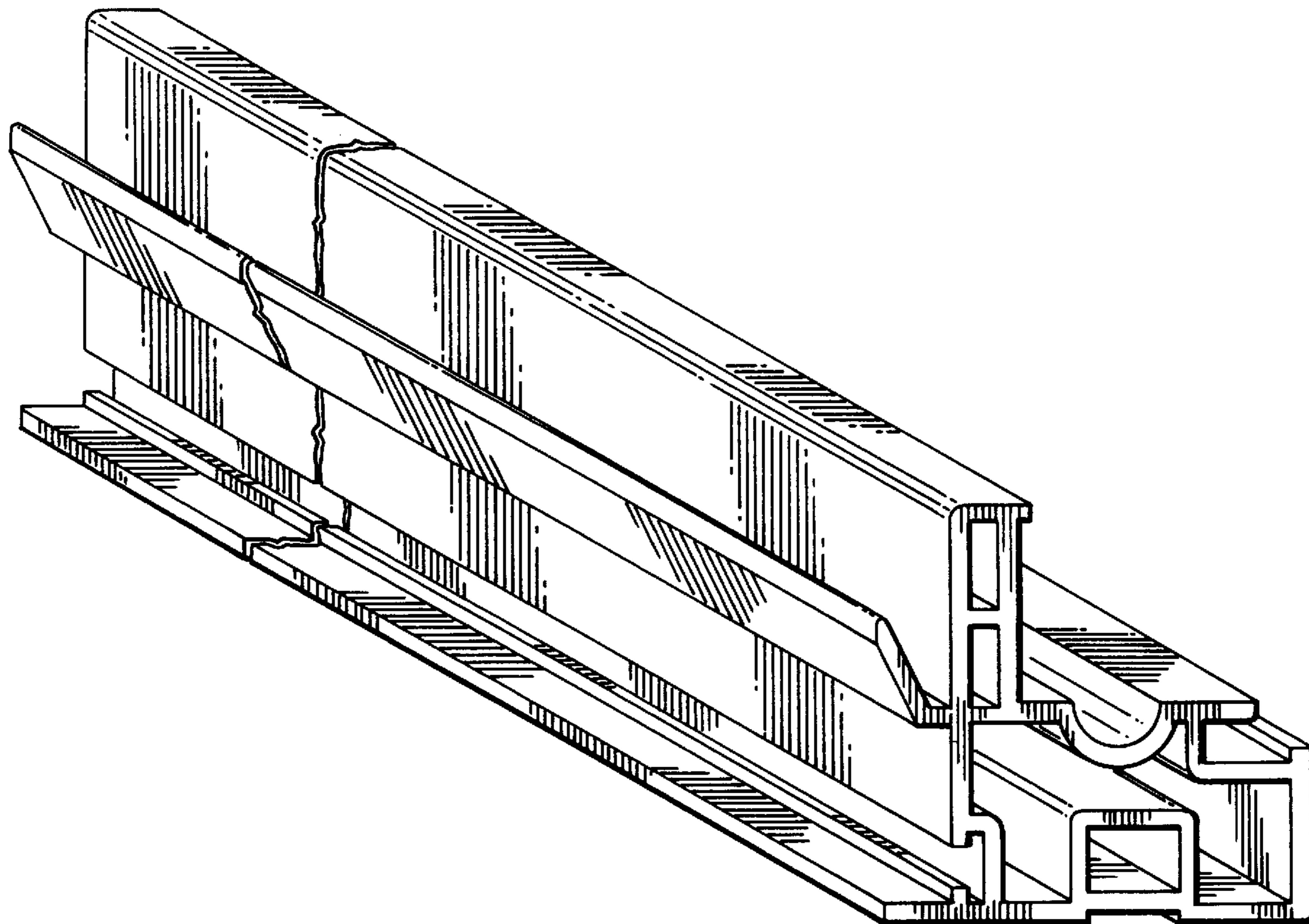
The window frame component of FIG. 1 is broken away to indicate indefinite length.

[56] **References Cited**

U.S. PATENT DOCUMENTS

D. 341,437 11/1993 Cole D25/124

1 Claim, 1 Drawing Sheet



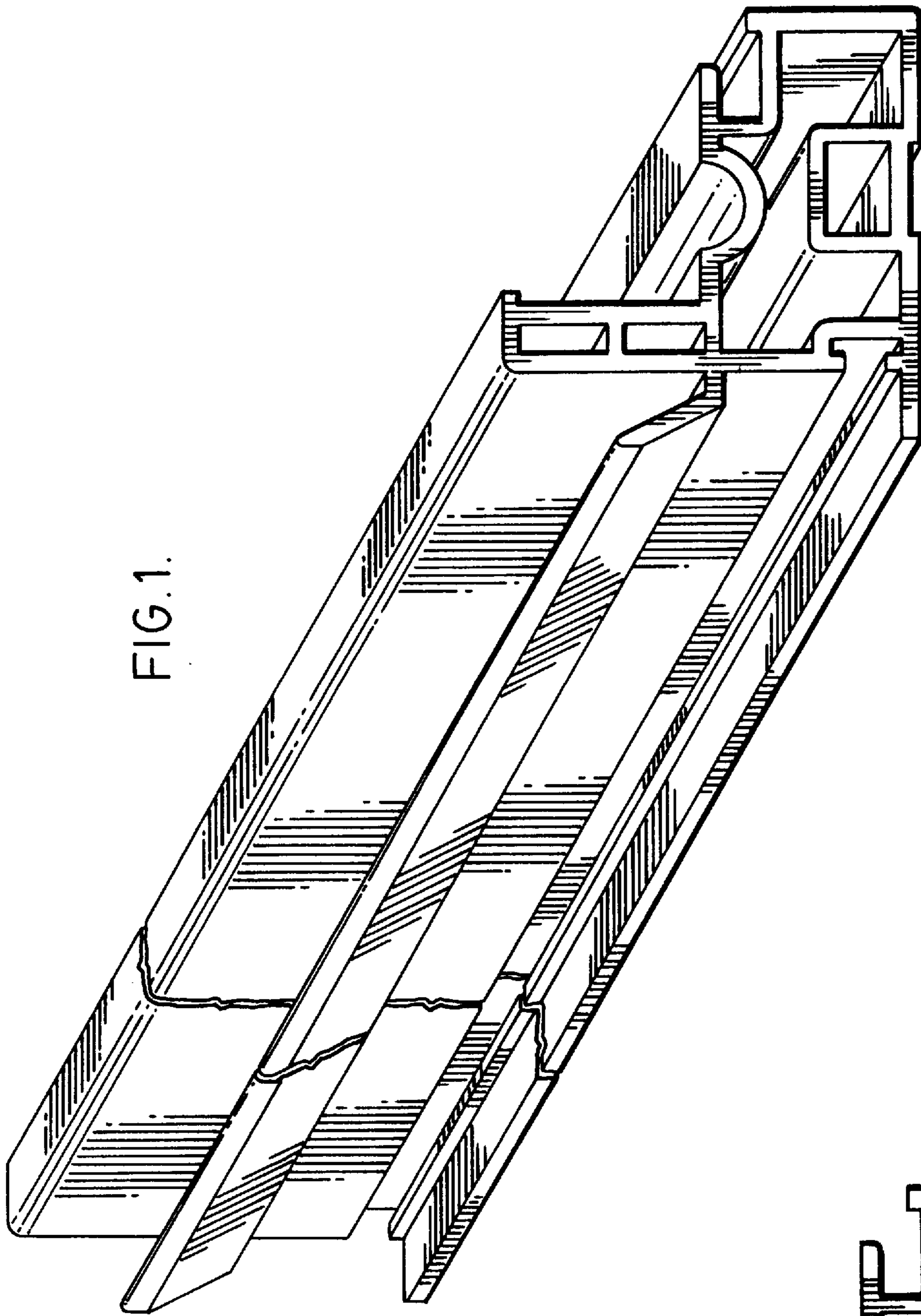


FIG. 1.

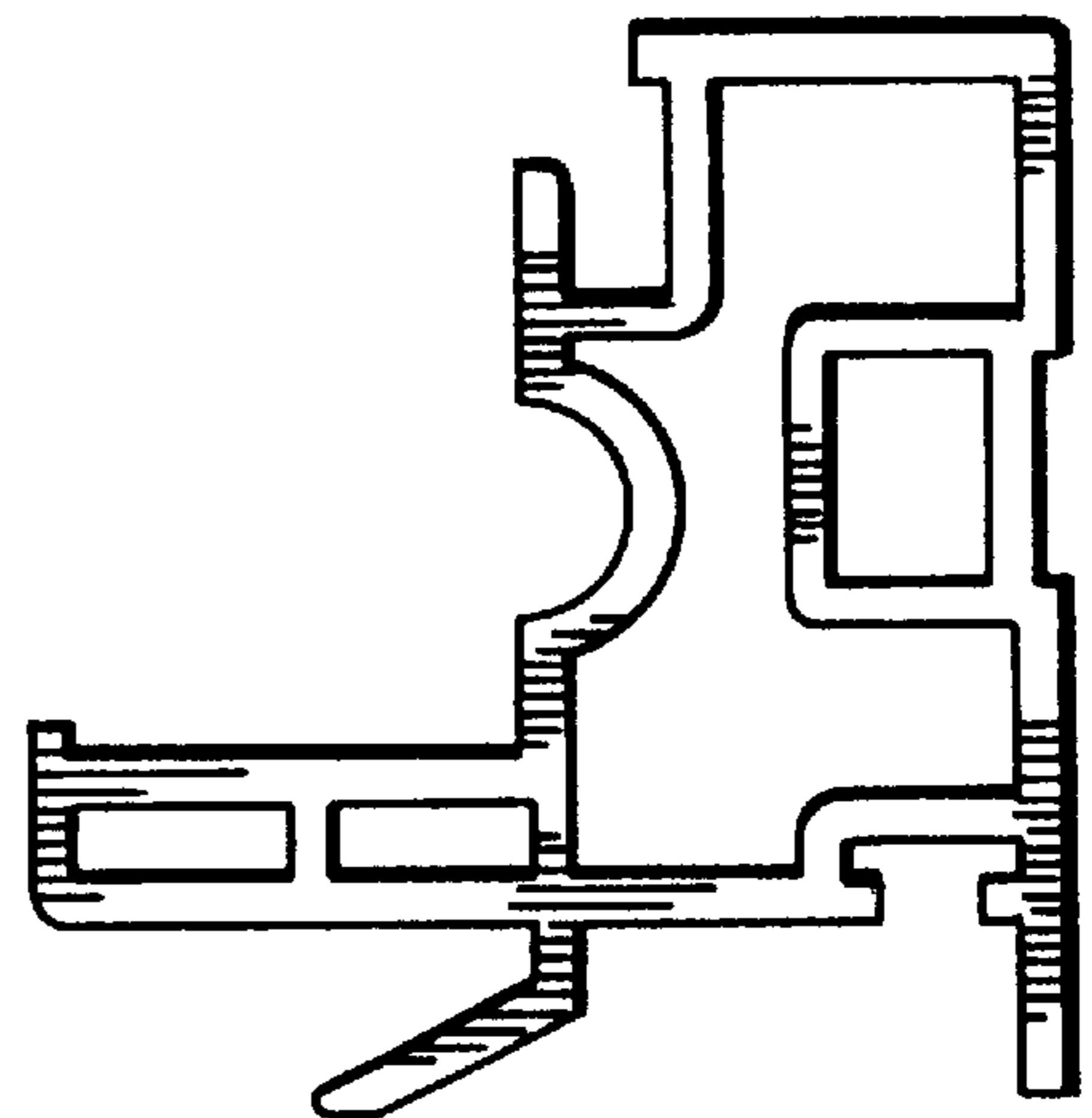


FIG. 2.