



US00D402044S

United States Patent [19]

DeBlock et al.

[11] **Patent Number: Des. 402,044**

[45] **Date of Patent: **Dec. 1, 1998**

[54] **WALL GRID**

3,383,821	5/1968	Gatch	52/653.1
3,686,805	8/1972	Pofferi	52/220.3
5,396,750	3/1995	Kleyn	D25/138

[75] Inventors: **David A. DeBlock**, Holland, Mich.;
Ralph M. LaZar, Skokie, Ill.; **Aaron B. Eiger**, Evanston, Ill.; **Kurt T. Peterson**, Mt. Prospect, Ill.

Primary Examiner—Doris Clark
Attorney, Agent, or Firm—Warner Norcross & Judd LLP

[73] Assignee: **ODL, Incorporated**, Zeeland, Mich.

[57] **CLAIM**

[**] Term: **14 Years**

The ornamental design for a wall grid, as shown and described.

[21] Appl. No.: **75,122**

DESCRIPTION

[22] Filed: **Aug. 8, 1997**

FIG. 1 is a front perspective view of a wall grid embodying the new design;

[51] **LOC (6) Cl.** **25-02**

FIG. 2 is a front elevational view thereof;

[52] **U.S. Cl.** **D25/61**

FIG. 3 is a right side elevational view thereof;

[58] **Field of Search** D25/199, 61; 52/220.3,
52/384, 474, 653.1

FIG. 4 is a left side elevational view thereof;

FIG. 5 is a rear elevational view thereof;

[56] **References Cited**

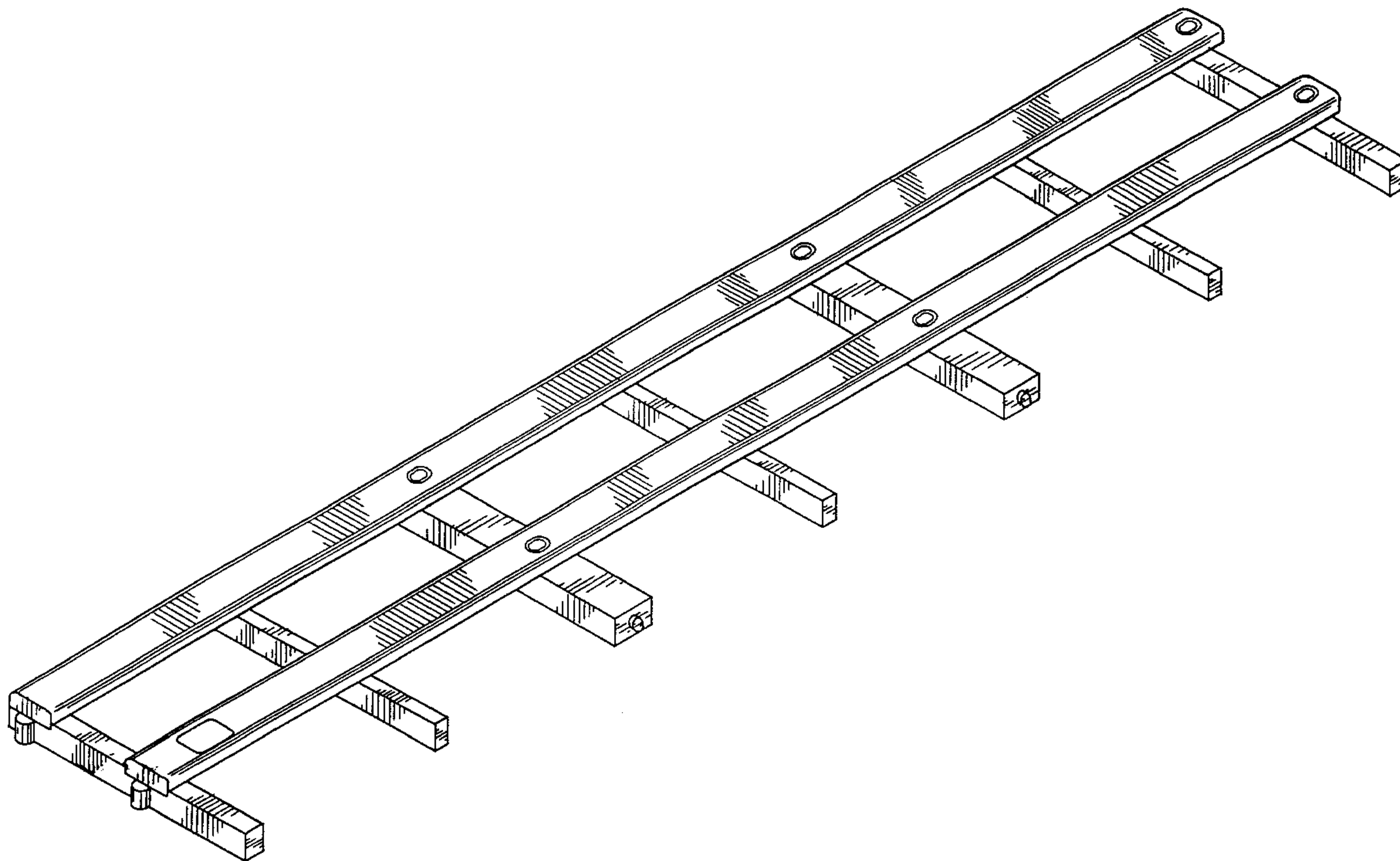
FIG. 6 is a top plan view thereof; and,

FIG. 7 is a bottom plan view thereof.

U.S. PATENT DOCUMENTS

D. 227,086 6/1973 Johnson D25/61

1 Claim, 4 Drawing Sheets



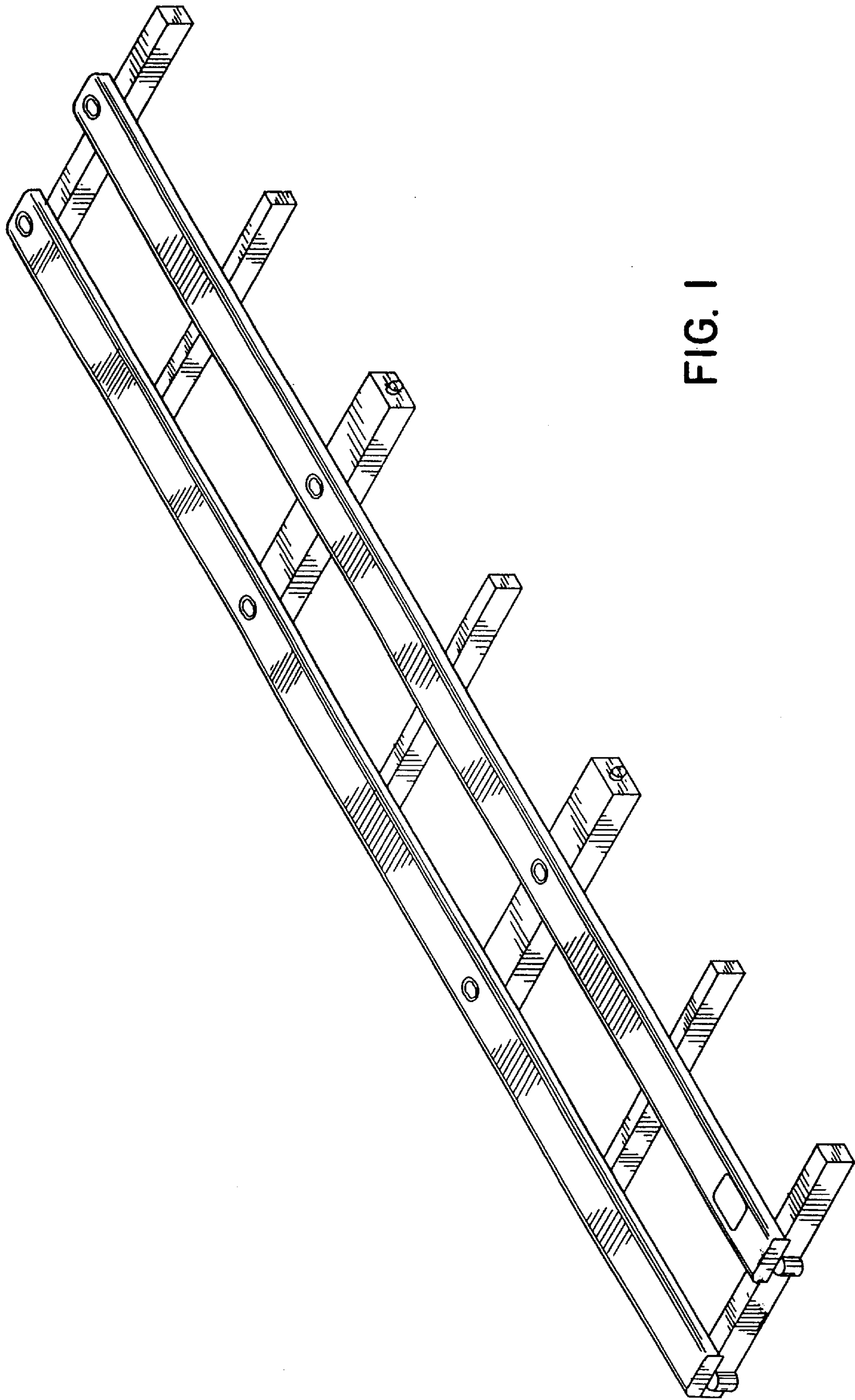


FIG. 1

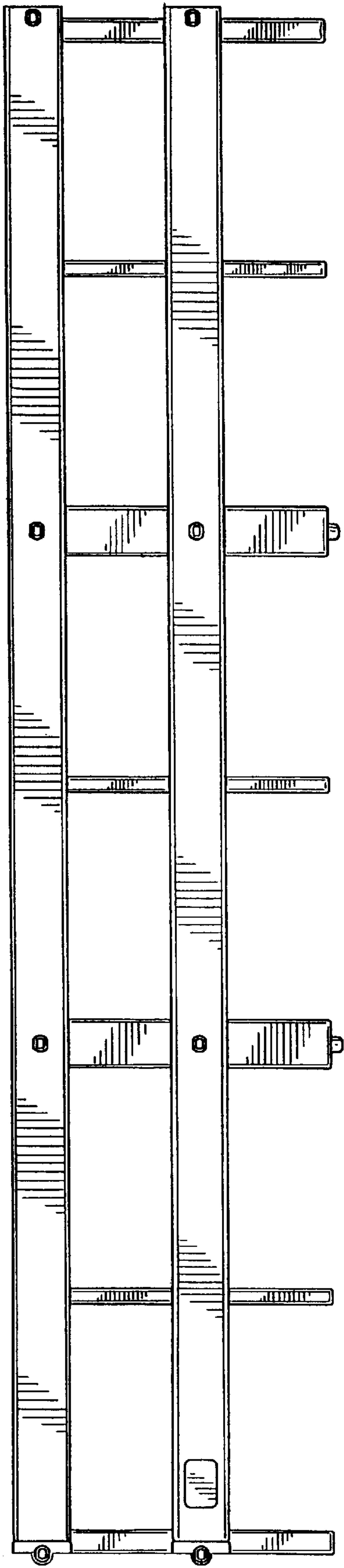


FIG. 2

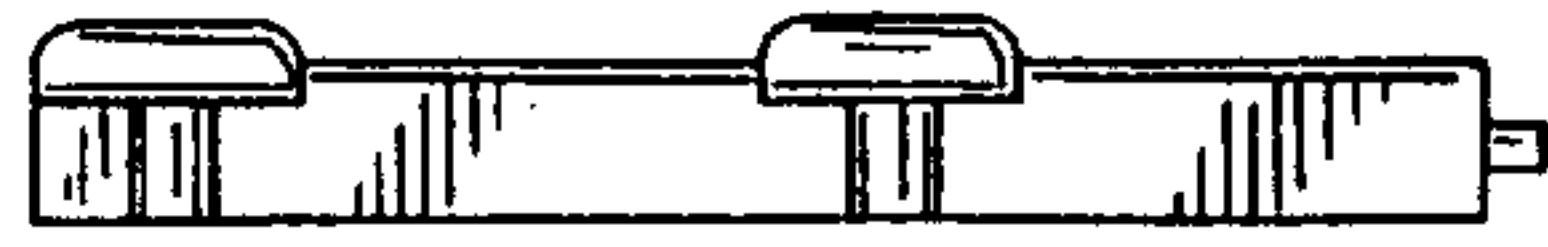


FIG. 4



FIG. 3

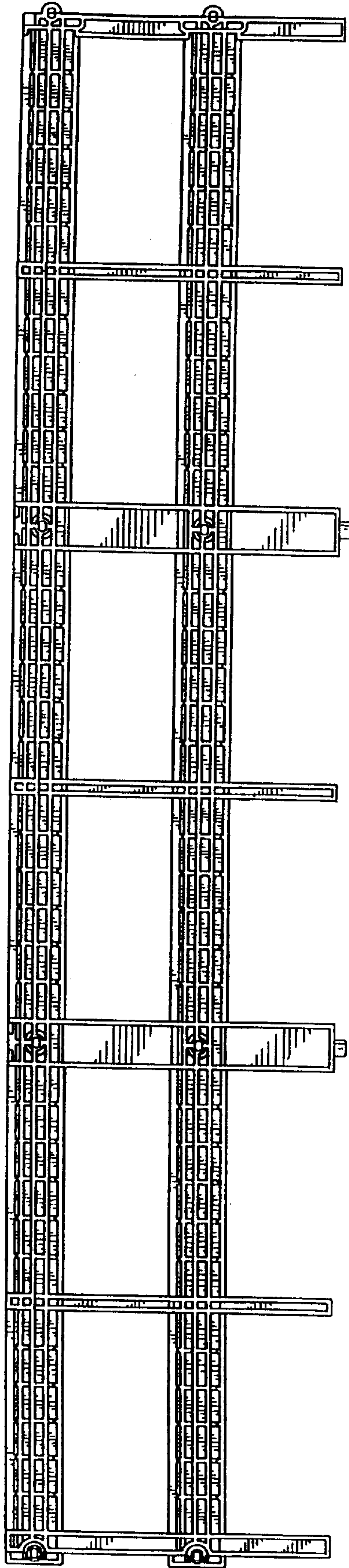


FIG. 5

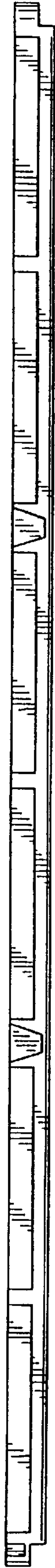


FIG. 6

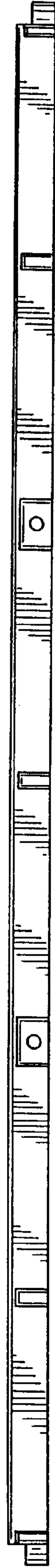


FIG. 7