



US00D402035S

# United States Patent [19]

Sullenberger et al.

[11] Patent Number: **Des. 402,035**

[45] Date of Patent: **\*\*Dec. 1, 1998**

[54] **KNEE HOLDER FOR MRI APPARATUS**

[75] Inventors: **Peter C. Sullenberger**, Seattle, Wash.; **Masaaki Sakuma**; **Kenji Suzuki**, both of Tokyo, Japan; **Kazuhiko Hayakawa**, Kanagawa, Japan; **Yasushi Kato**, Tokyo, Japan

[73] Assignee: **GE Yokogawa Medical Systems, Limited**, Tokyo, Japan

[\*\*] Term: **14 Years**

[21] Appl. No.: **77,175**

[22] Filed: **Sep. 29, 1997**

[51] **LOC (6) Cl.** ..... **24-01**

[52] **U.S. Cl.** ..... **D24/184; D24/183; D24/158; D24/157**

[58] **Field of Search** ..... **D24/158, 159, D24/183, 184; 5/650, 623, 624, 648, 651; 324/318; 600/410, 415**

[56] **References Cited**

**U.S. PATENT DOCUMENTS**

D. 376,428 12/1996 Lipson et al. .... D24/183

4,323,080	4/1982	Melhart	.....	5/650
4,717,133	1/1988	Walsh et al.	.....	5/650
4,827,496	5/1989	Cheney	.....	5/651
5,445,152	8/1995	Bell et al.	.....	600/415
5,541,515	7/1996	Tsujita	.....	324/318
5,562,094	10/1996	Bonutti	.....	600/415

*Primary Examiner*—Louis S. Zarfaz  
*Assistant Examiner*—Gym Andoll  
*Attorney, Agent, or Firm*—Moonray Kojima

[57] **CLAIM**

The ornamental design for a knee holder for MRI apparatus, as shown and described.

**DESCRIPTION**

FIG. 1 is a top perspective view of a knee holder for MRI apparatus, showing my new design;  
FIG. 2 is a top view thereof;  
FIG. 3 is a bottom view thereof;  
FIG. 4 is a right side elevational view thereof;  
FIG. 5 is a left side elevational view thereof;  
FIG. 6 is a front elevational view thereof; and,  
FIG. 7 is a rear elevational view thereof.

**1 Claim, 7 Drawing Sheets**

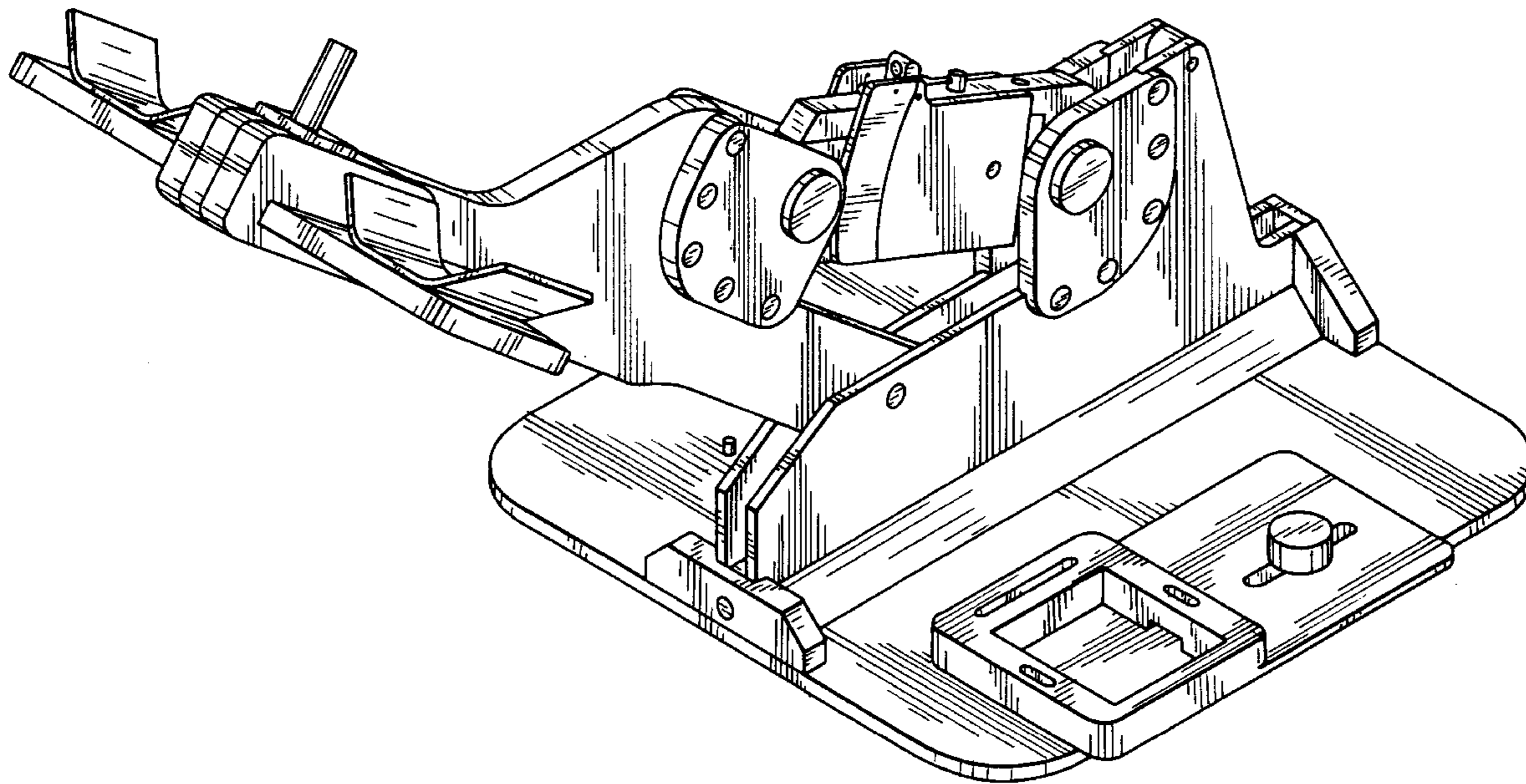


FIG. 1

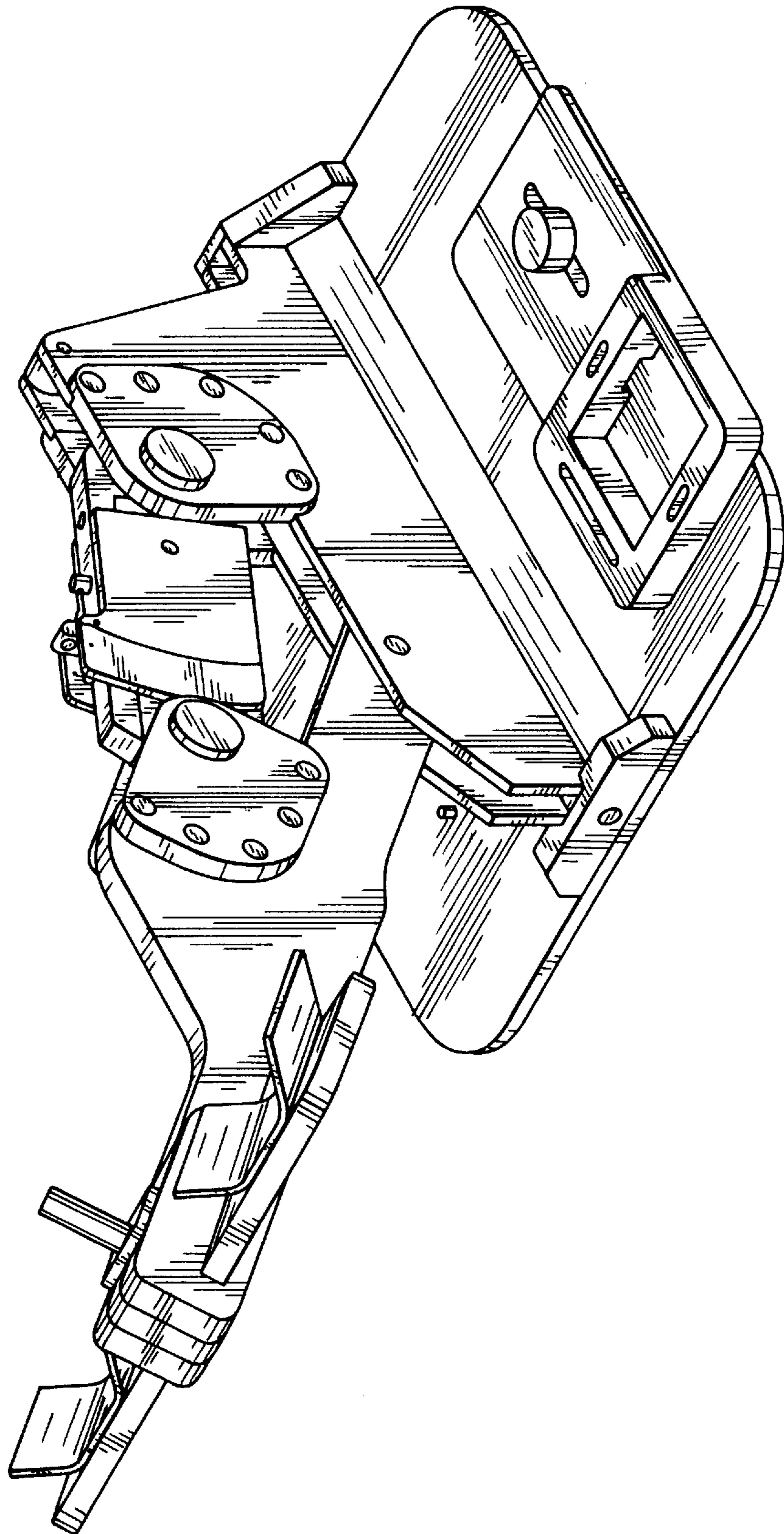


FIG. 2

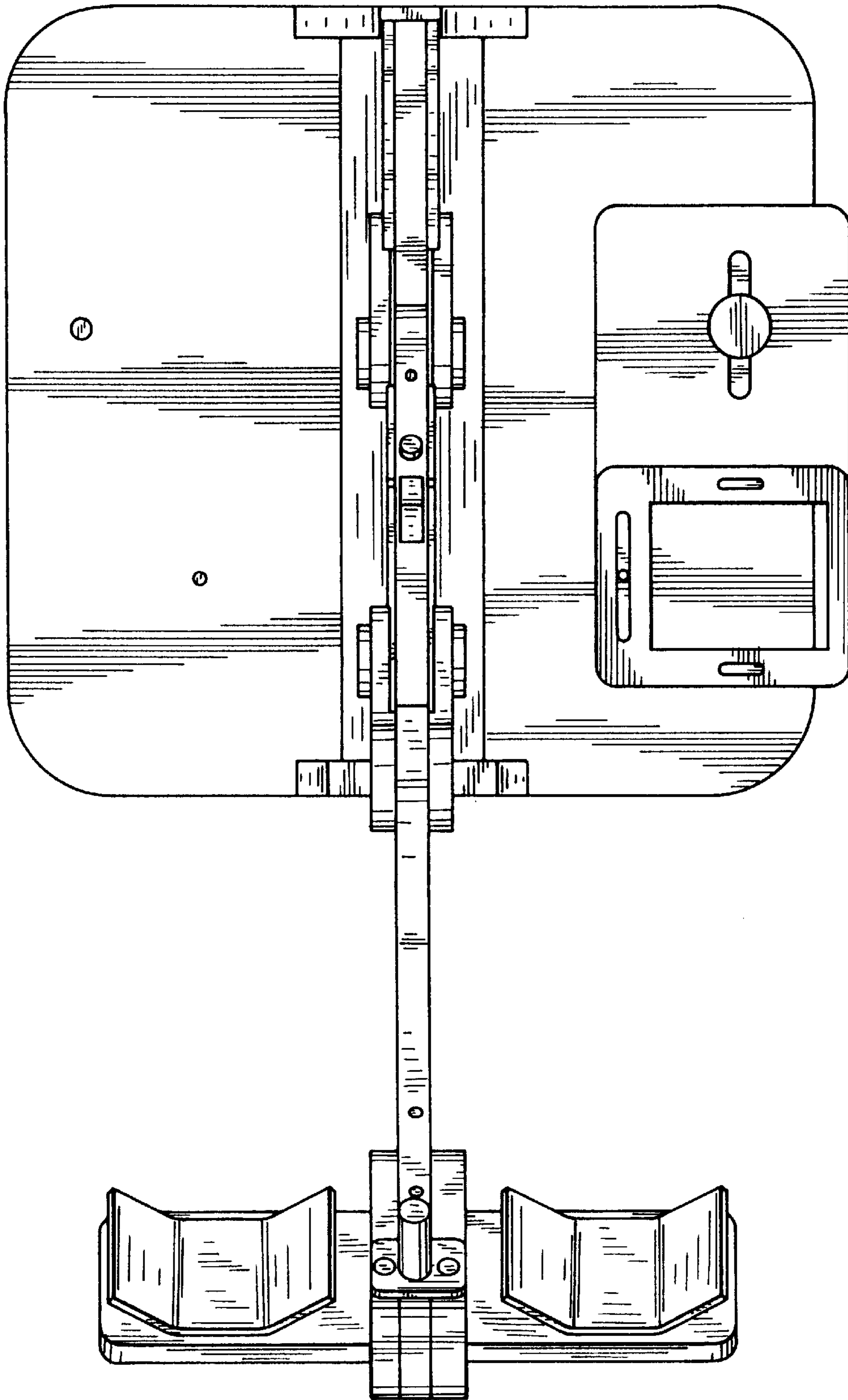


FIG. 3

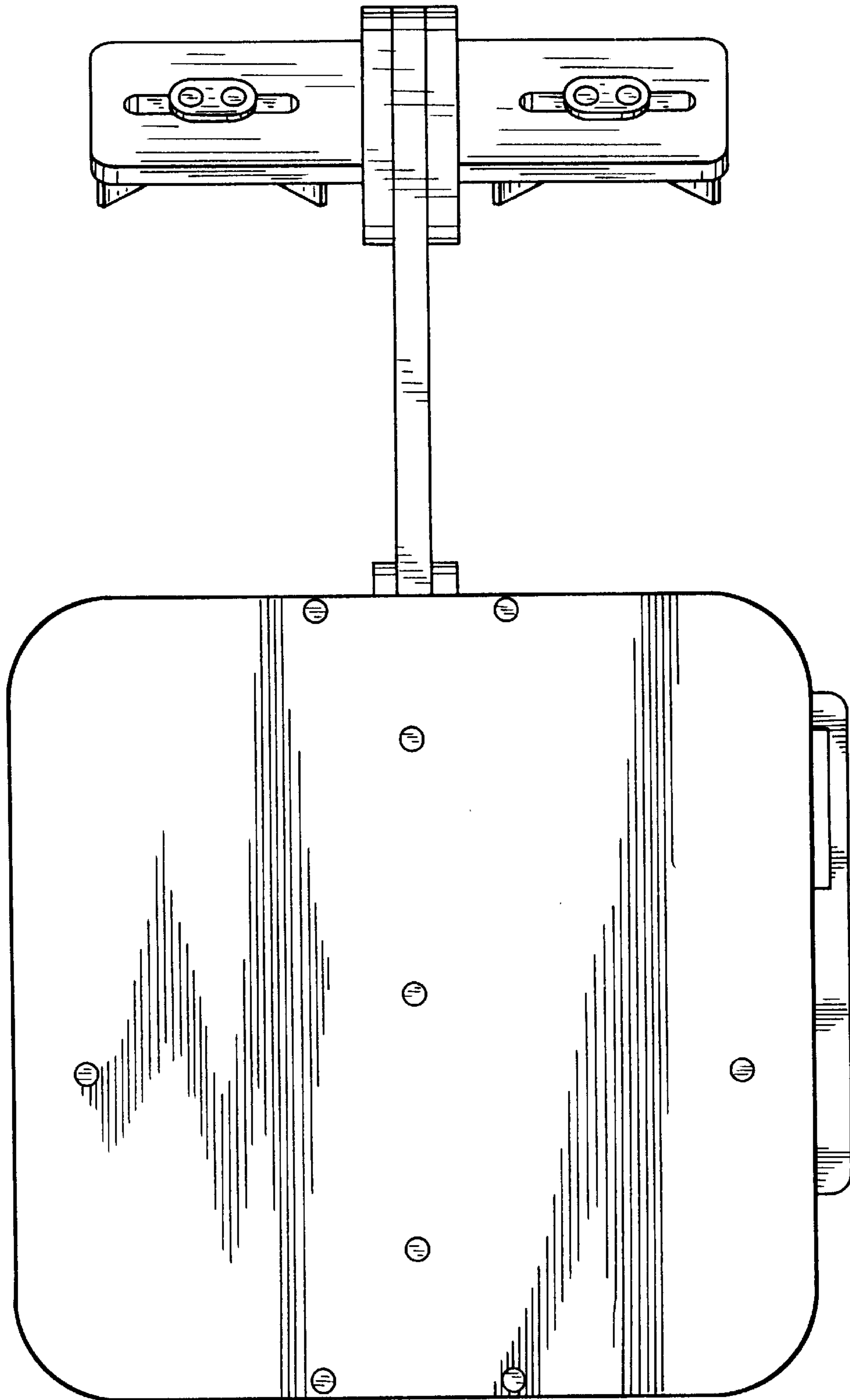
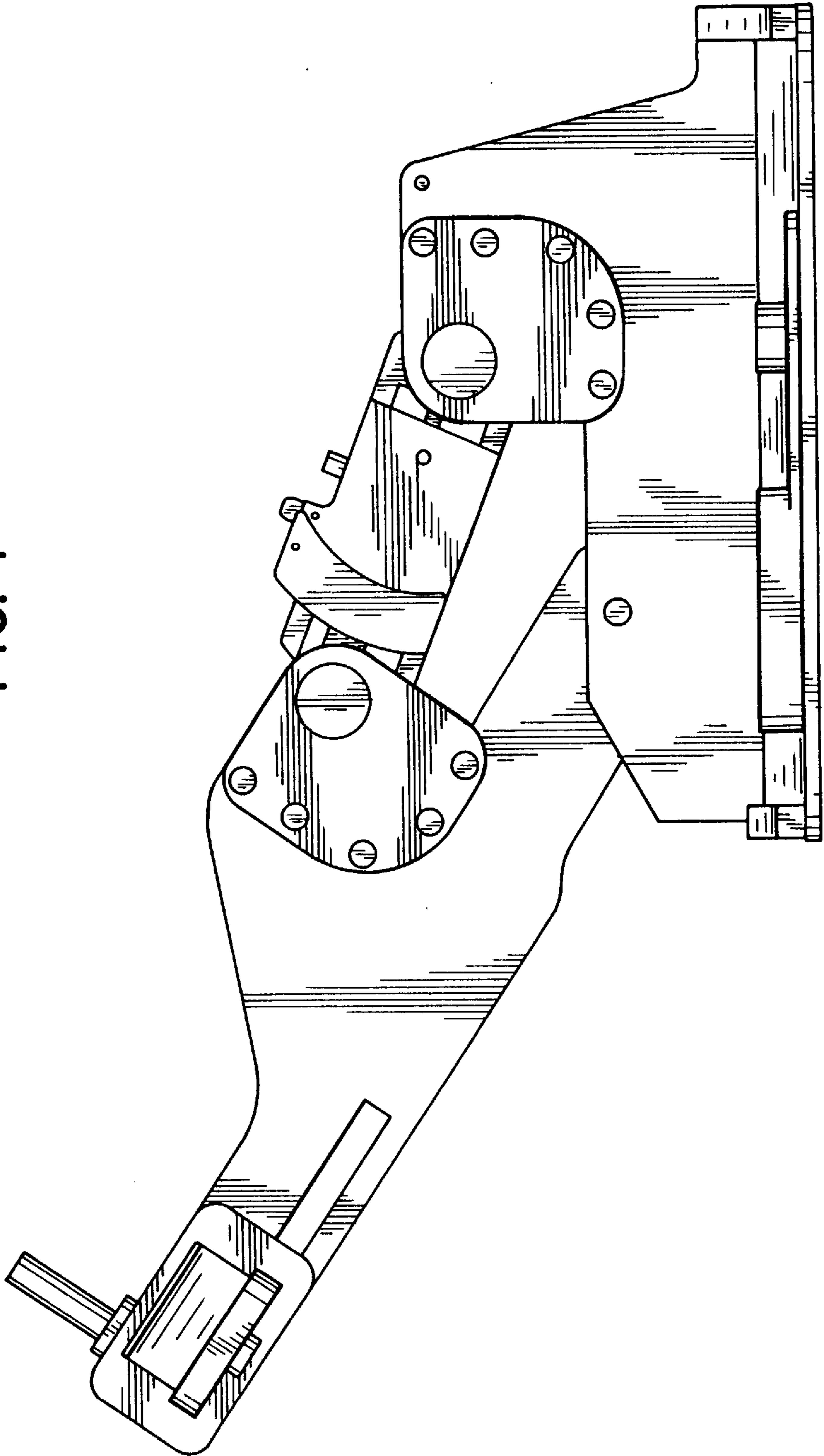


FIG. 4



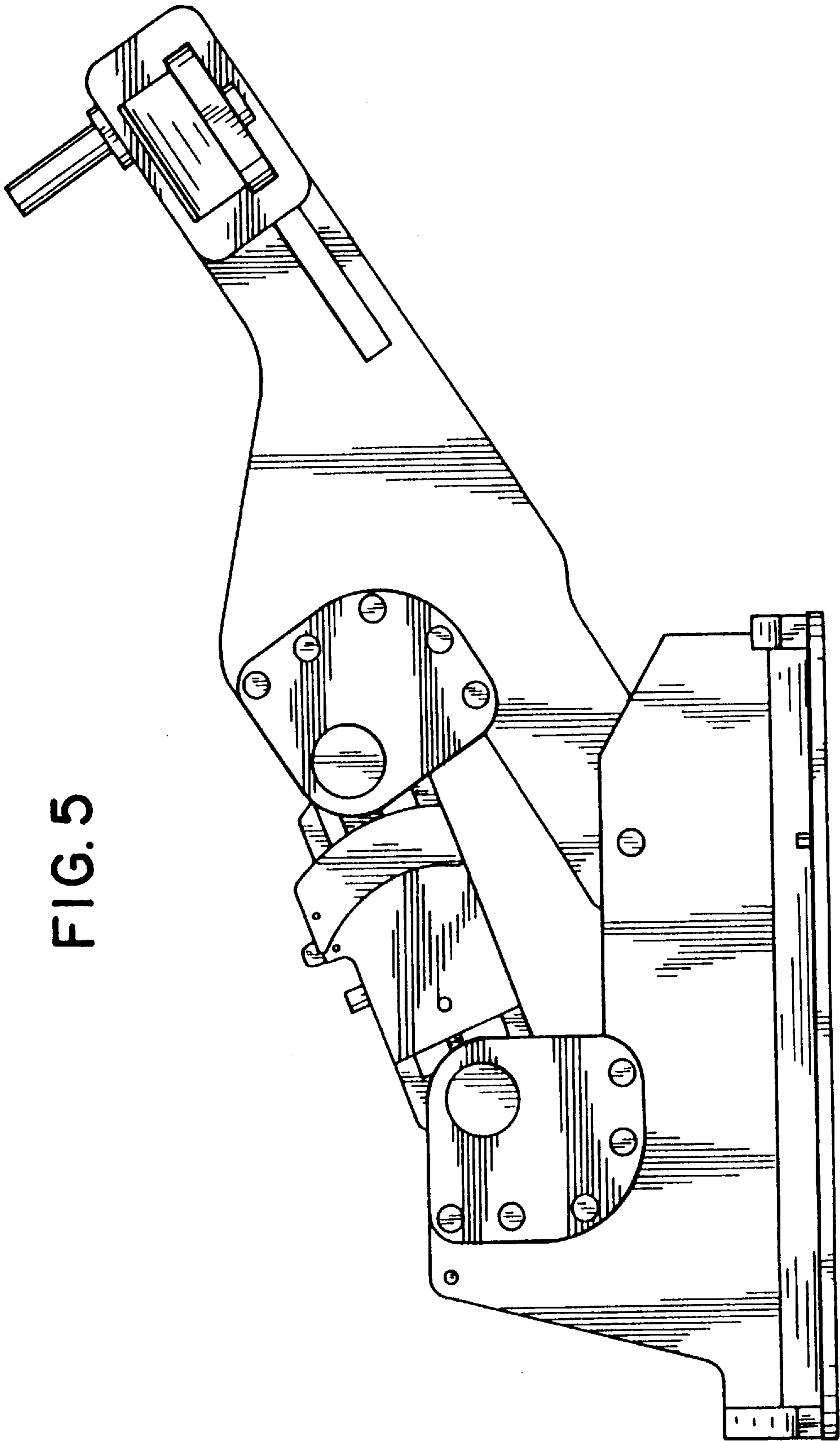


FIG. 5

FIG. 6

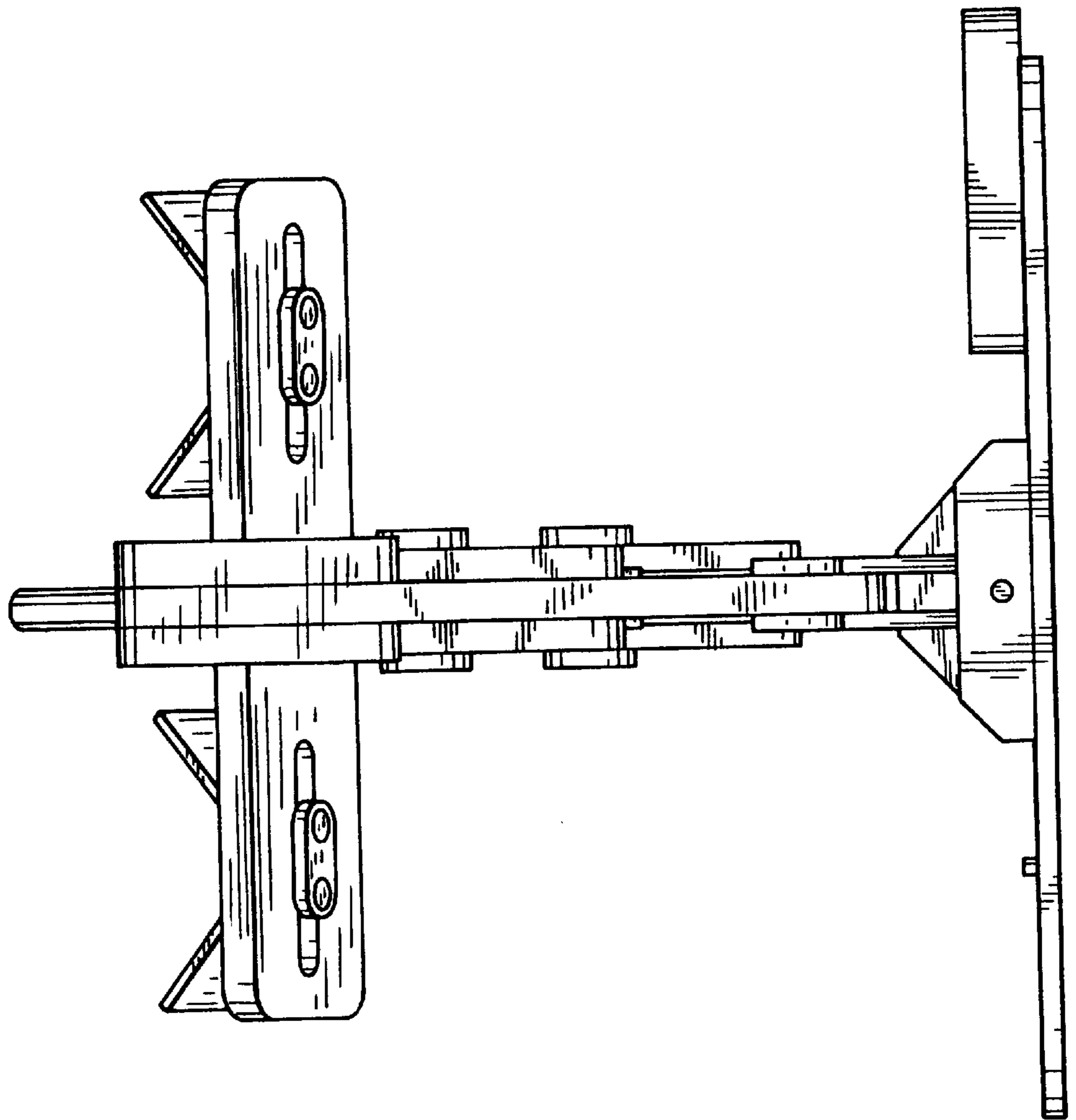


FIG. 7

