



US00D402032S

United States Patent [19] Stone

[11] **Patent Number:** **Des. 402,032**

[45] **Date of Patent:** ****Dec. 1, 1998**

[54] **NEURO GAP PLATE FOR OSTEOSYNTHESIS**

[75] Inventor: **Kevin T. Stone**, Warsaw, Ind.

[73] Assignee: **Walter Lorenz Surgical, Inc.**, Jacksonville, Fla.

[**] Term: **14 Years**

[21] Appl. No.: **51,844**

[22] Filed: **Feb. 20, 1996**

[51] **LOC (6) Cl.** **24-03**

[52] **U.S. Cl.** **D24/155**

[58] **Field of Search** D24/155; 606/69-77

[56] **References Cited**

U.S. PATENT DOCUMENTS

1,105,105	7/1914	Sherman .
2,494,229	1/1950	Collison .
2,791,868	5/1957	Viken .
3,547,114	12/1970	Haboush .
3,779,240	12/1973	Kondo .
4,219,015	8/1980	Steinmann .
4,503,848	3/1985	Casper et al. .
4,683,878	8/1987	Carter .
4,793,335	12/1988	Frey et al. .
4,905,679	3/1990	Morgan .
4,905,680	3/1990	Tunc .
5,087,202	2/1992	Krenkel .
5,201,737	4/1993	Leibinger et al. .
5,372,598	12/1994	Luhr et al. .
5,468,242	11/1995	Reisberg .

FOREIGN PATENT DOCUMENTS

290138	11/1988	European Pat. Off. .
291632	11/1988	European Pat. Off. .
433852	6/1991	European Pat. Off. .
2631539	5/1988	France .
2806609	7/1979	Germany .

OTHER PUBLICATIONS

Codman & Shurtleff, *Neurosurgical Quality Instruments*, copyright 1965, pp. 10-13.

Howmedica International, Inc., *Vitallium—Verschiedene Implantate*, p. 54.

M.E. Müller, M. Allgöwer and H. Willenegger, *Manual of Internal Fixation*, copyright 1970, pp. 46 and 47.

U. Heim and K.M. Pfeiffer, *Internal Fixation of Small Fractures*, copyright 1974, 1982 and 1988, p. 60.

Walter Lorenz Surgical, Inc., *Surgical Instrument Catalog 5th Edition*, copyright © 1993, pp. 10-11.

Walter Lorenz Surgical, Inc., *Walter Lorenz 1.5/2.0 Combination System* (1 sheet).

Leibinger LP, *Leibinger*, copyright 1995, (1 sheet).

For The Few Who Know The Difference, TiMesh Inc. (1 sheet).

Walter Lorenz Surgical, Inc., *1.5/2.0mm Combination Titanium Osteosynthesis System*, copyright 1994.

Primary Examiner—Kay H. Chin

Attorney, Agent, or Firm—Harness, Dickey & Pierce, P.L.C.

[57] **CLAIM**

The ornamental design for a neuro gap plate for osteosynthesis, as shown and described.

DESCRIPTION

FIG. 1 is a perspective view of a first embodiment of a neuro gap plate for osteosynthesis showing my new design;

FIG. 2 is a top view of FIG. 1;

FIG. 3 is a bottom view of FIG. 1;

FIG. 4 is a front view of FIG. 1;

FIG. 5 is a rear view of FIG. 1;

FIG. 6 is a right side view of FIG. 1, with the understanding that the left side view is a mirror image of the right side view;

FIG. 7 is a perspective view of a second embodiment of a neuro gap plate for osteosynthesis;

FIG. 8 is a top view of FIG. 7;

FIG. 9 is a bottom view of FIG. 7;

FIG. 10 is a front view of FIG. 7;

FIG. 11 is a rear view of FIG. 7;

FIG. 12 is a right side view of FIG. 7, with the understanding that the left side view is a mirror image of the right side view;

FIG. 13 is a perspective view of a third embodiment of a neuro gap plate for osteosynthesis;

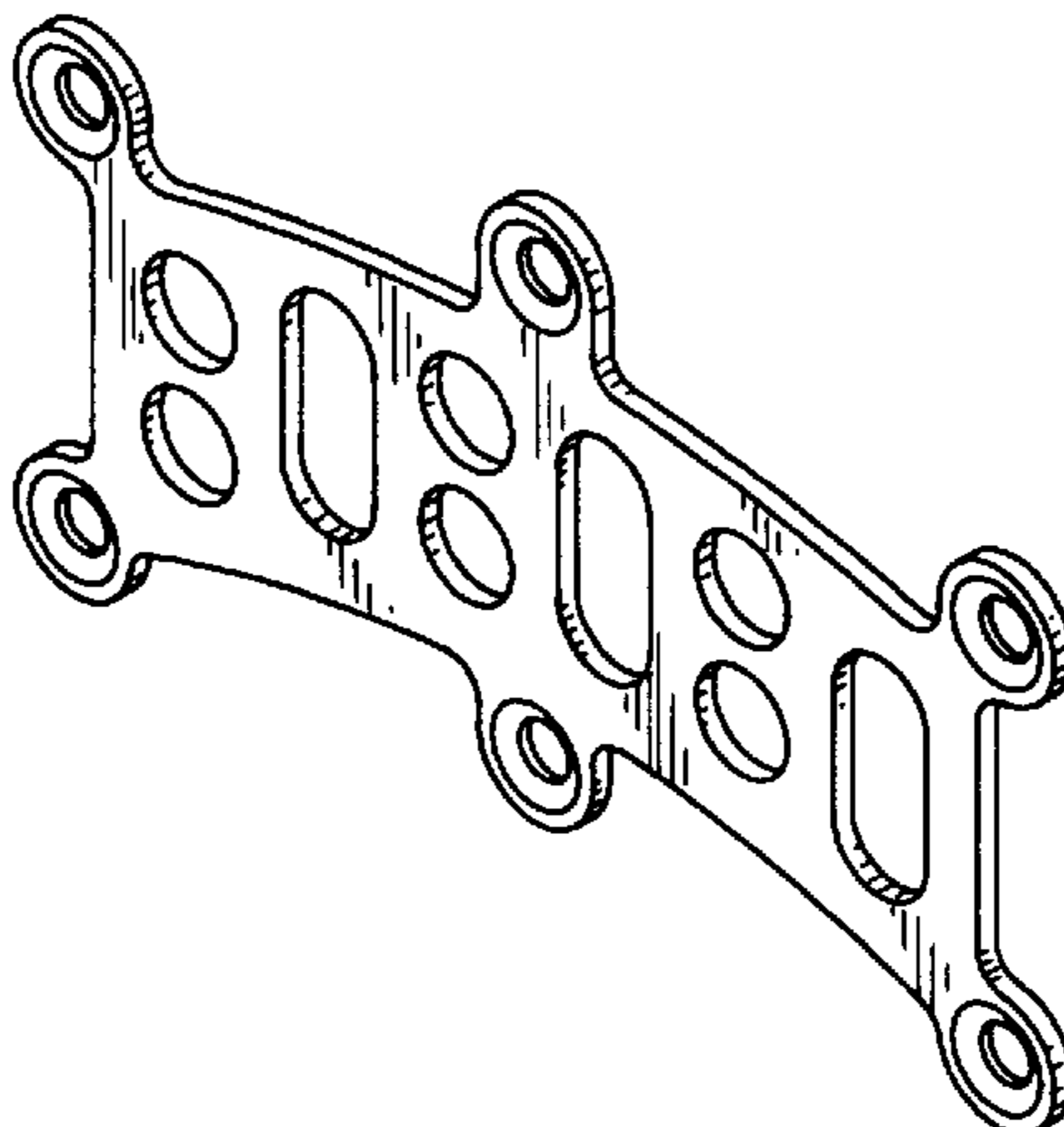
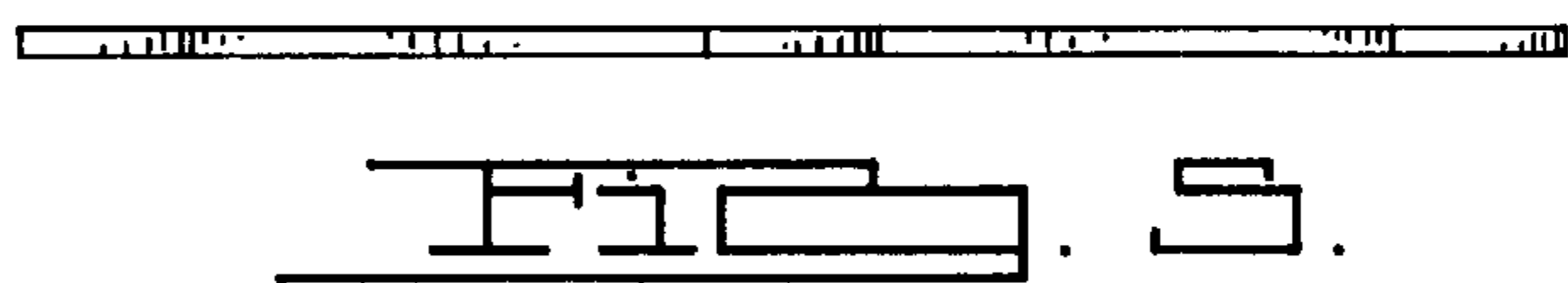
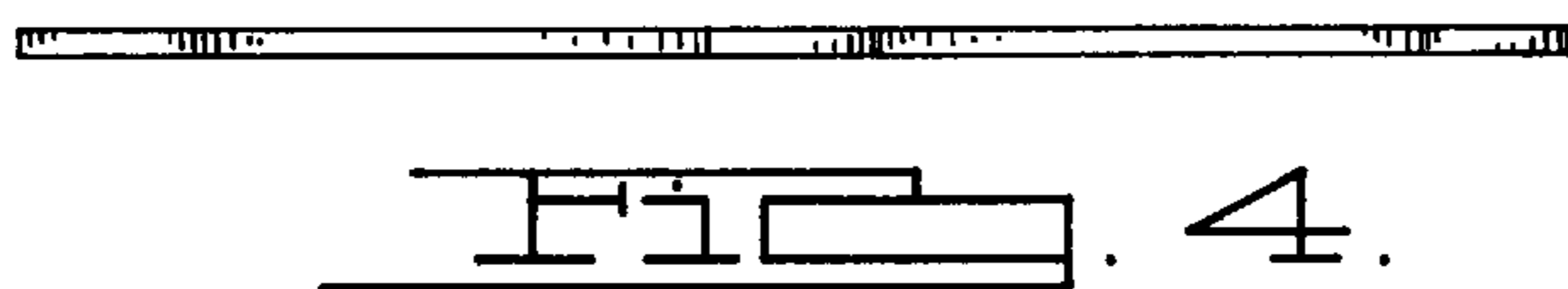
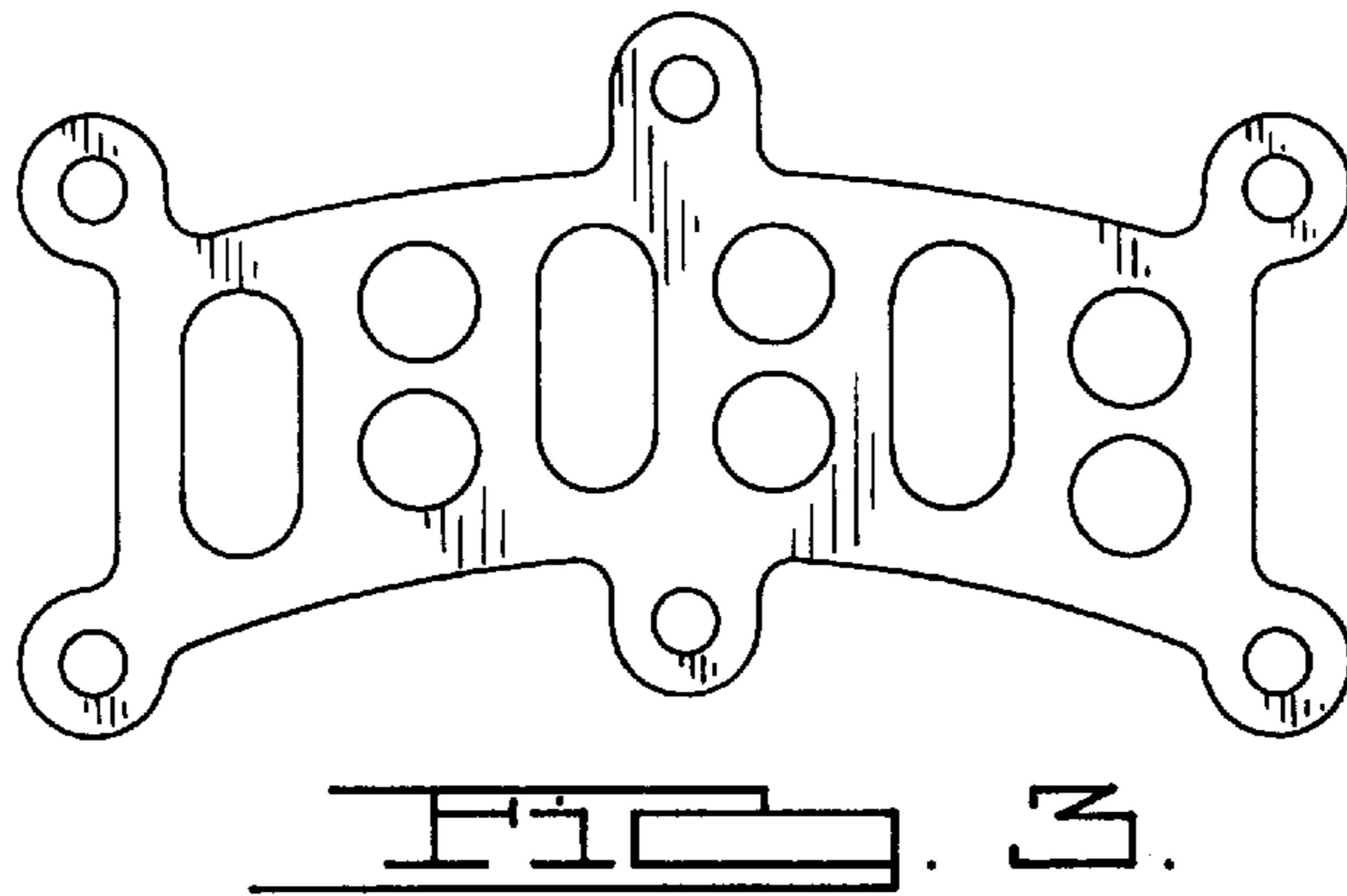
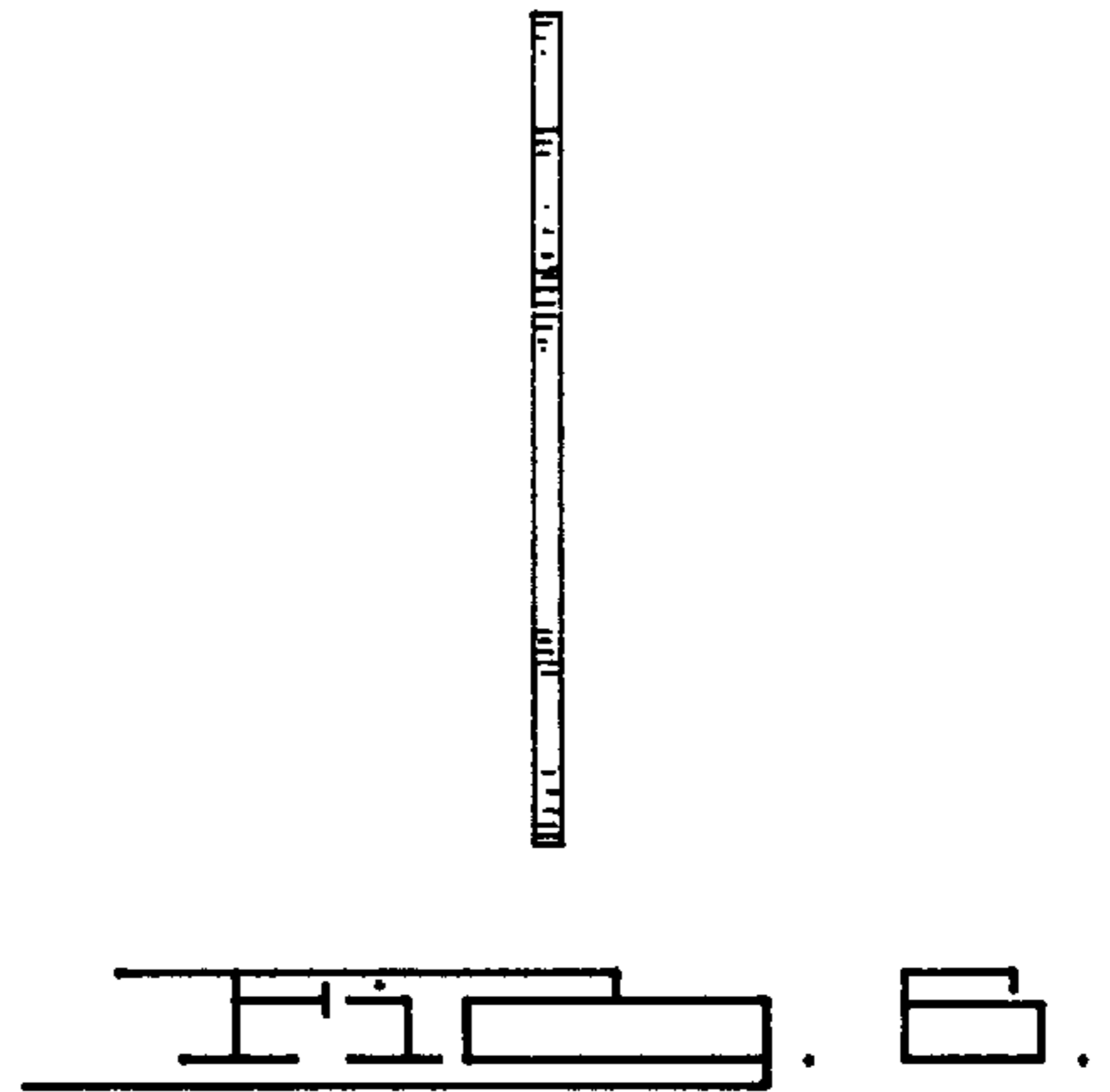
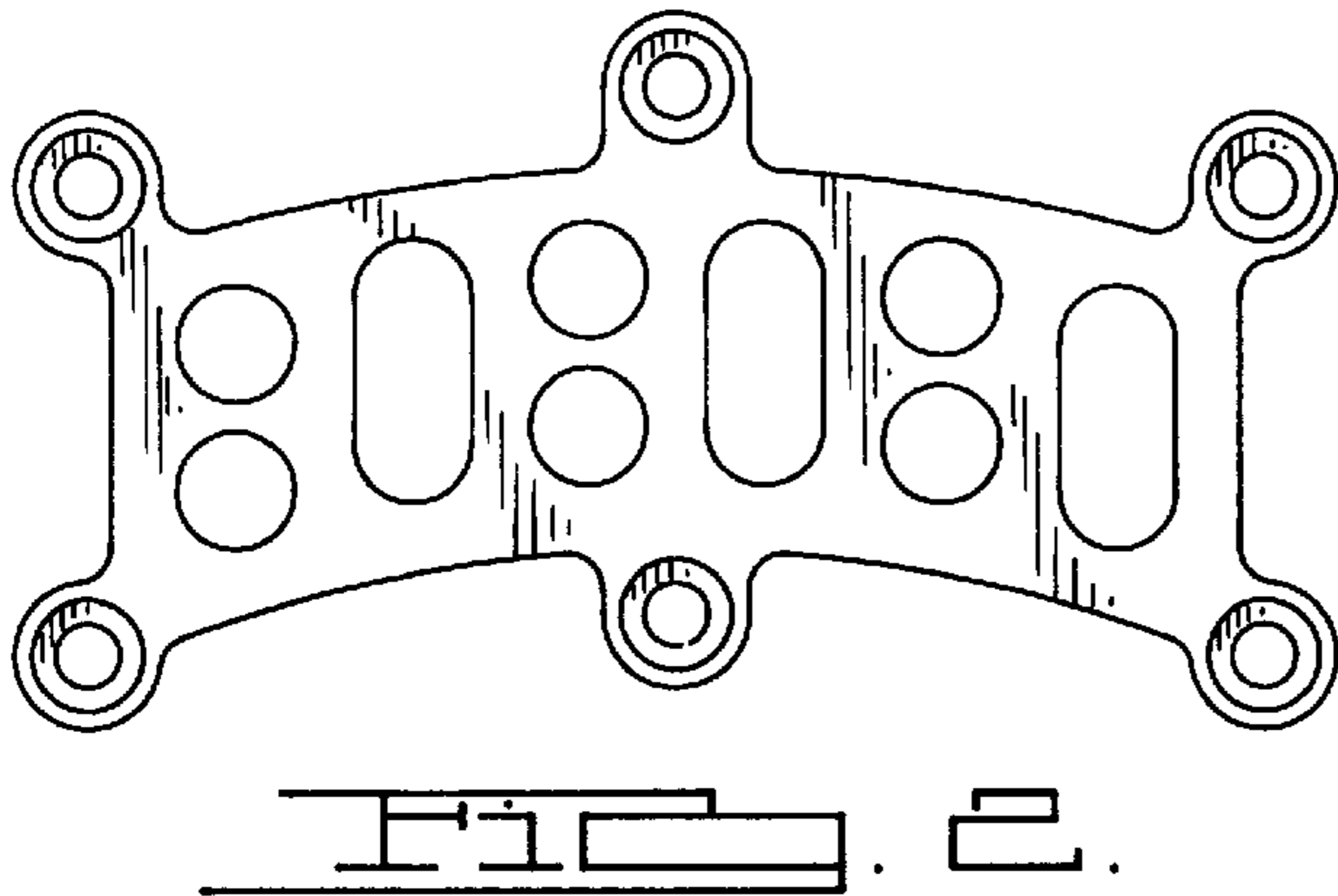
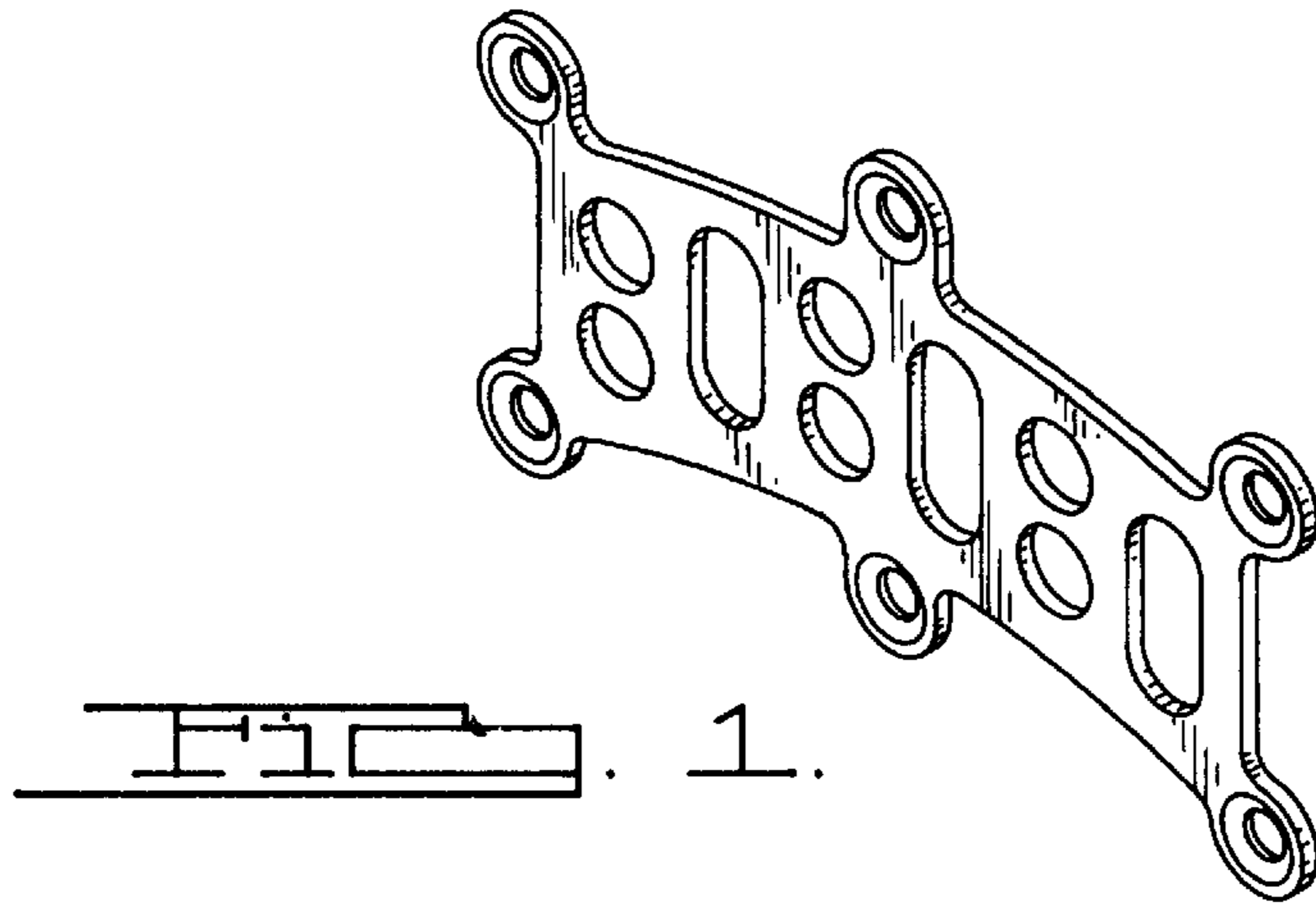
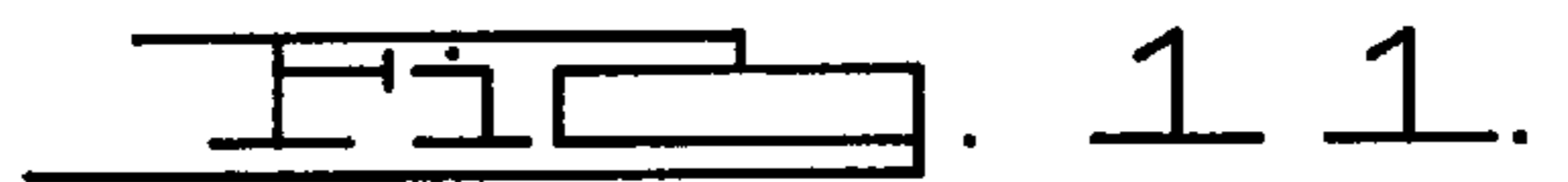
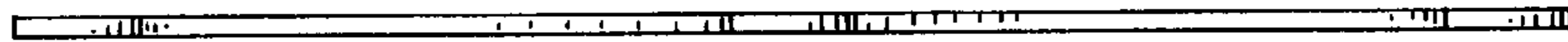
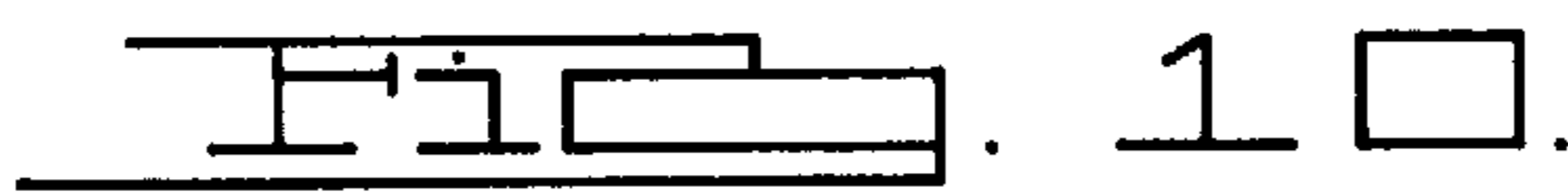
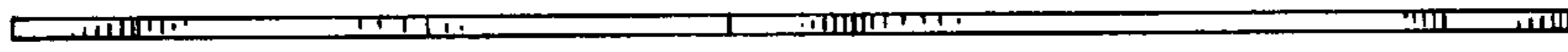
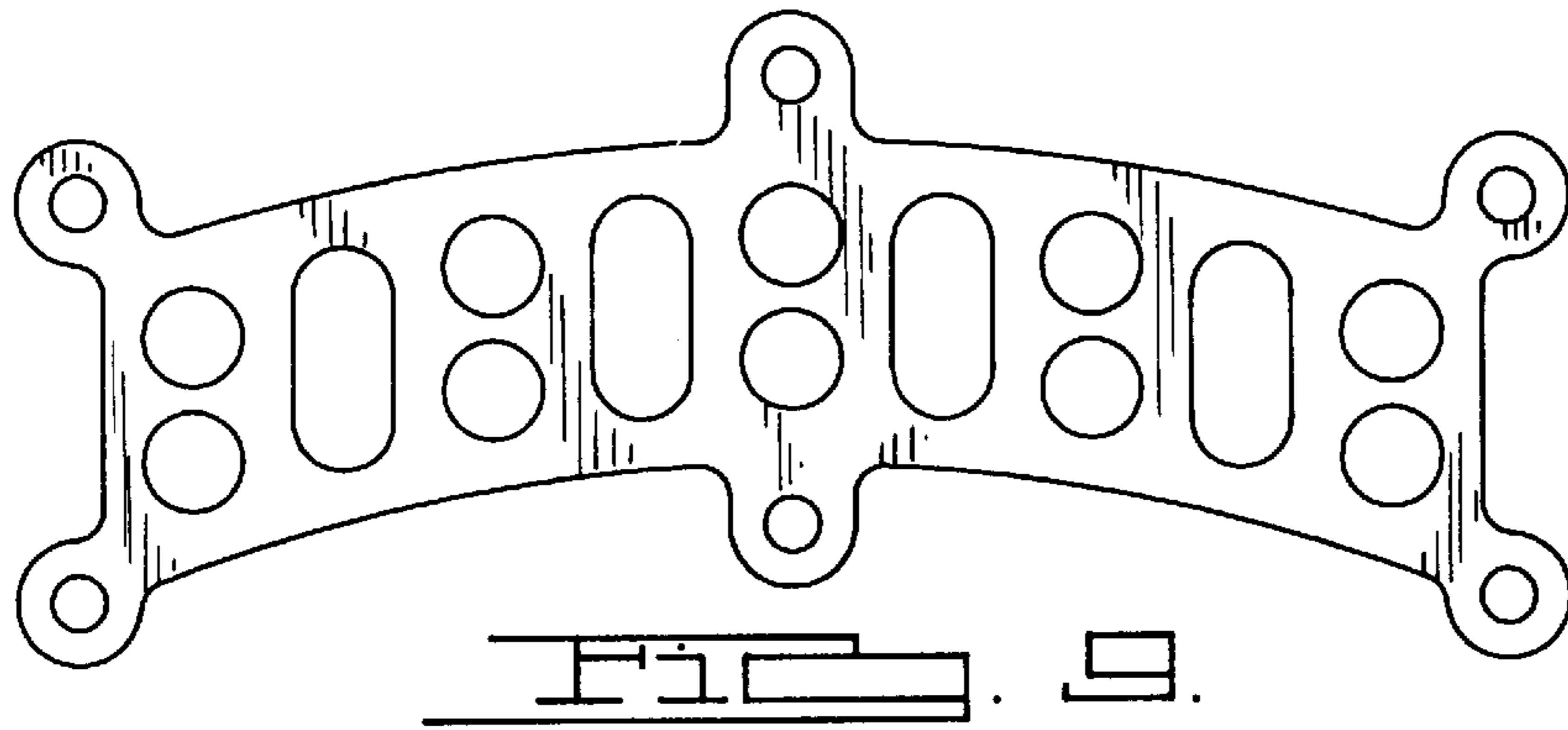
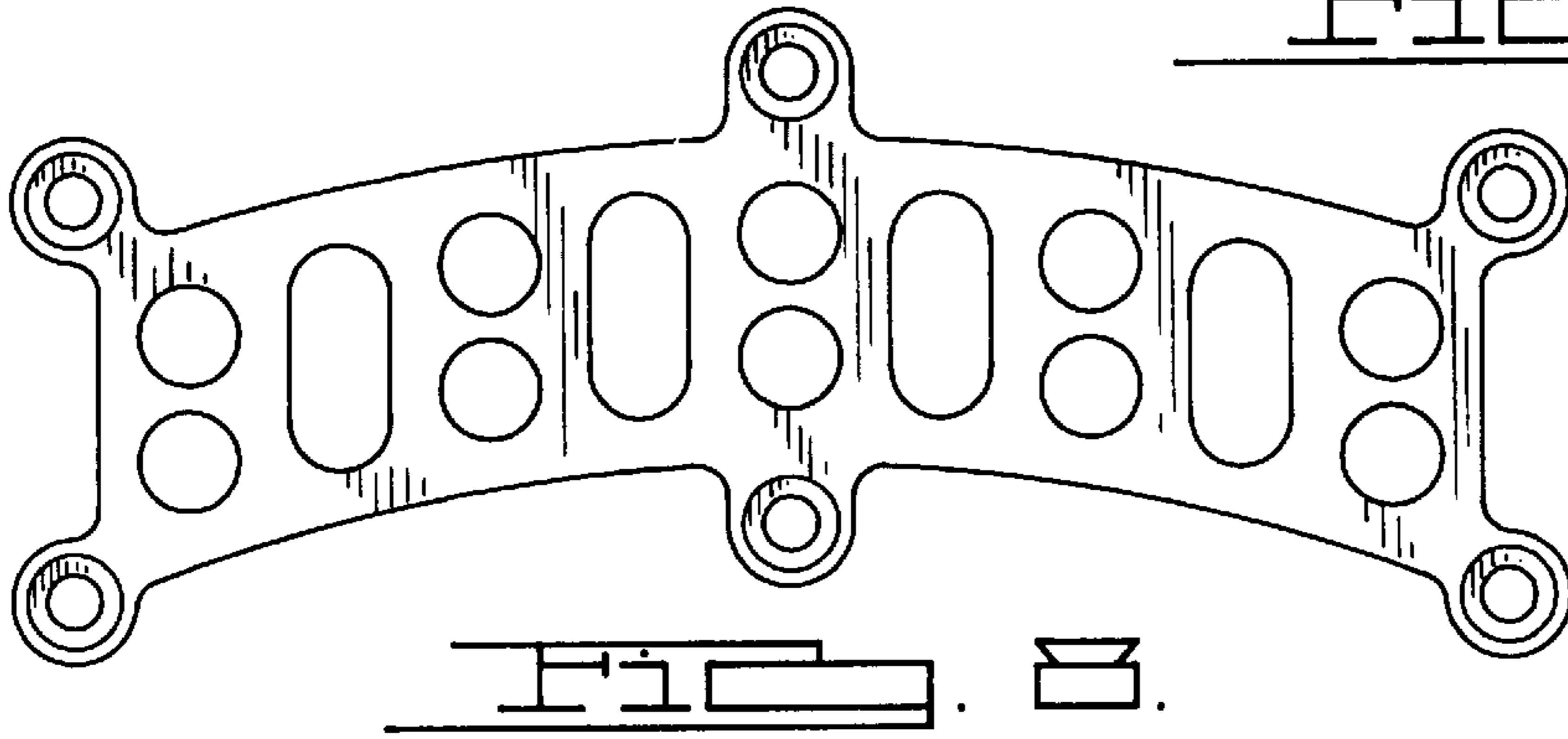
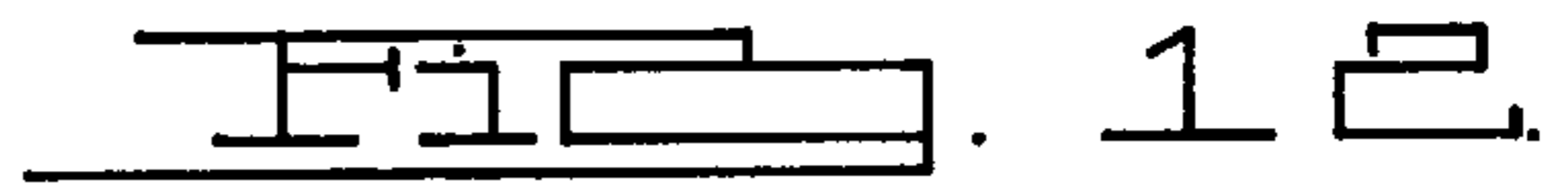
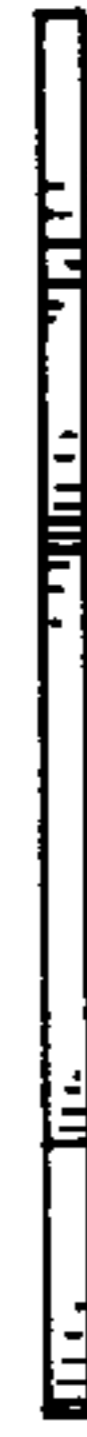
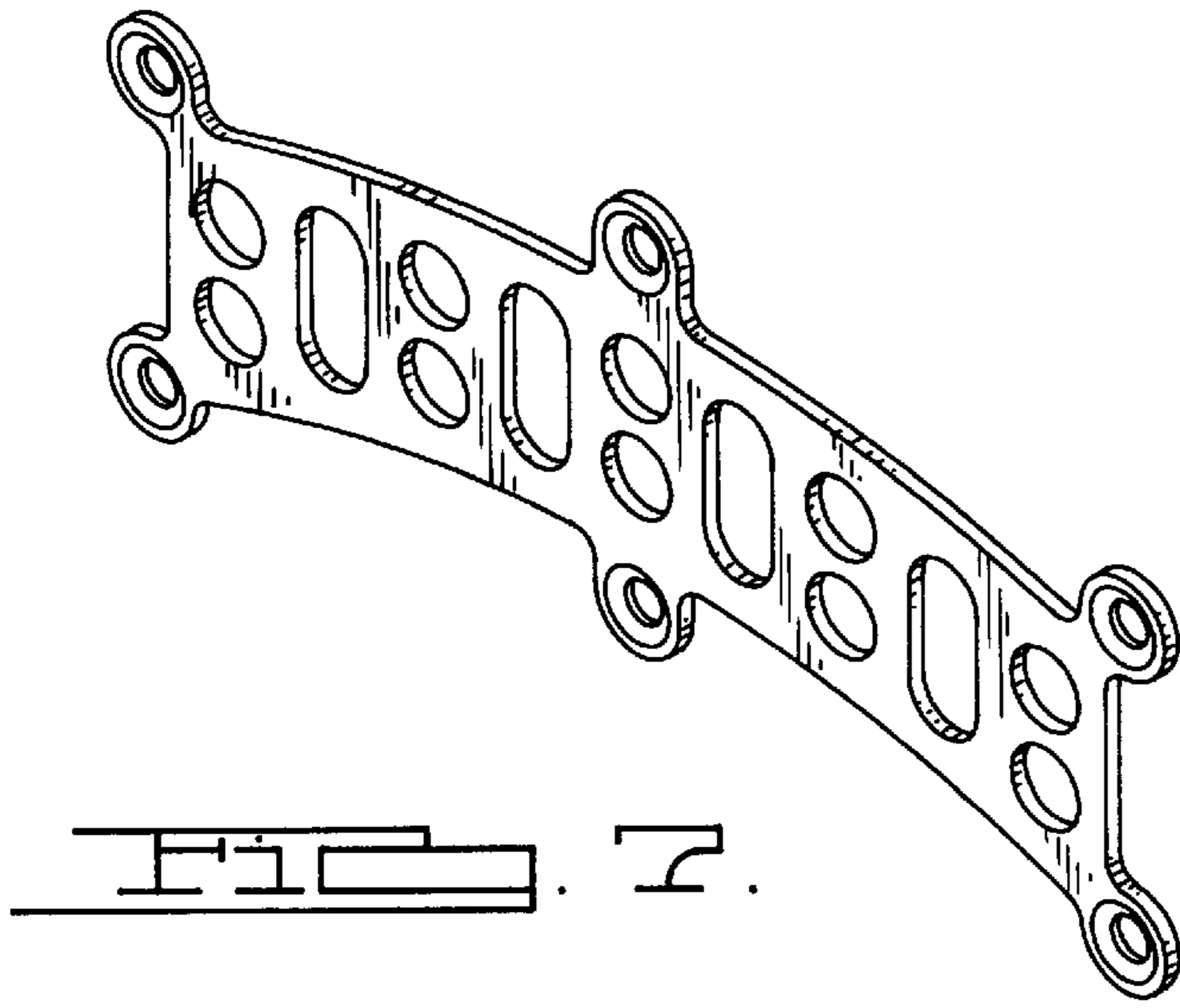


FIG. 14 is a top view of FIG. 13;
FIG. 15 is a bottom view of FIG. 13;
FIG. 16 is a front view of FIG. 13;
FIG. 17 is a rear view of FIG. 13; and,

FIG. 18 is a right side view of FIG. 13, with the understanding that the left side view is a mirror image of the right side view.

1 Claim, 3 Drawing Sheets





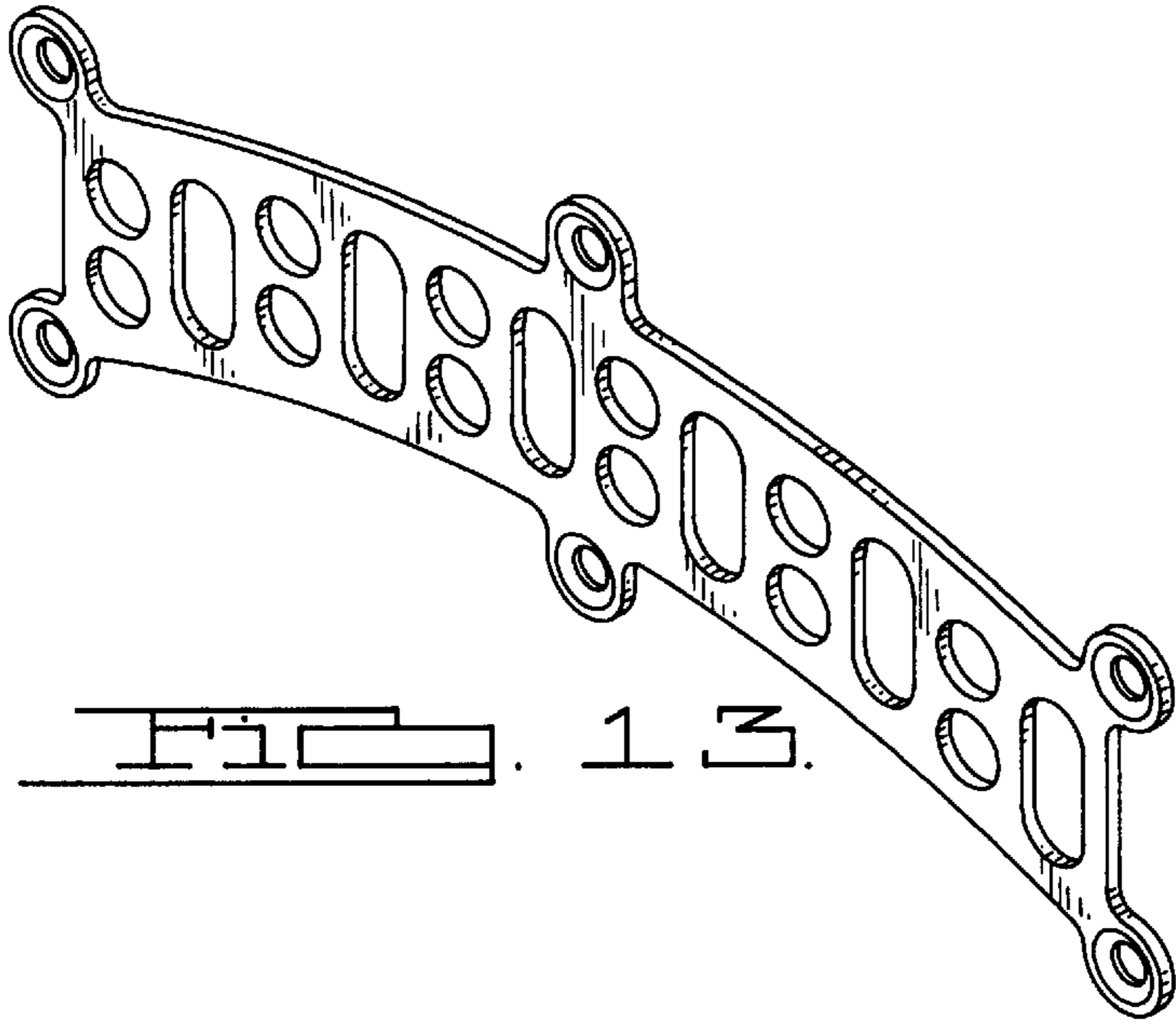


FIG. 13.



FIG. 18.

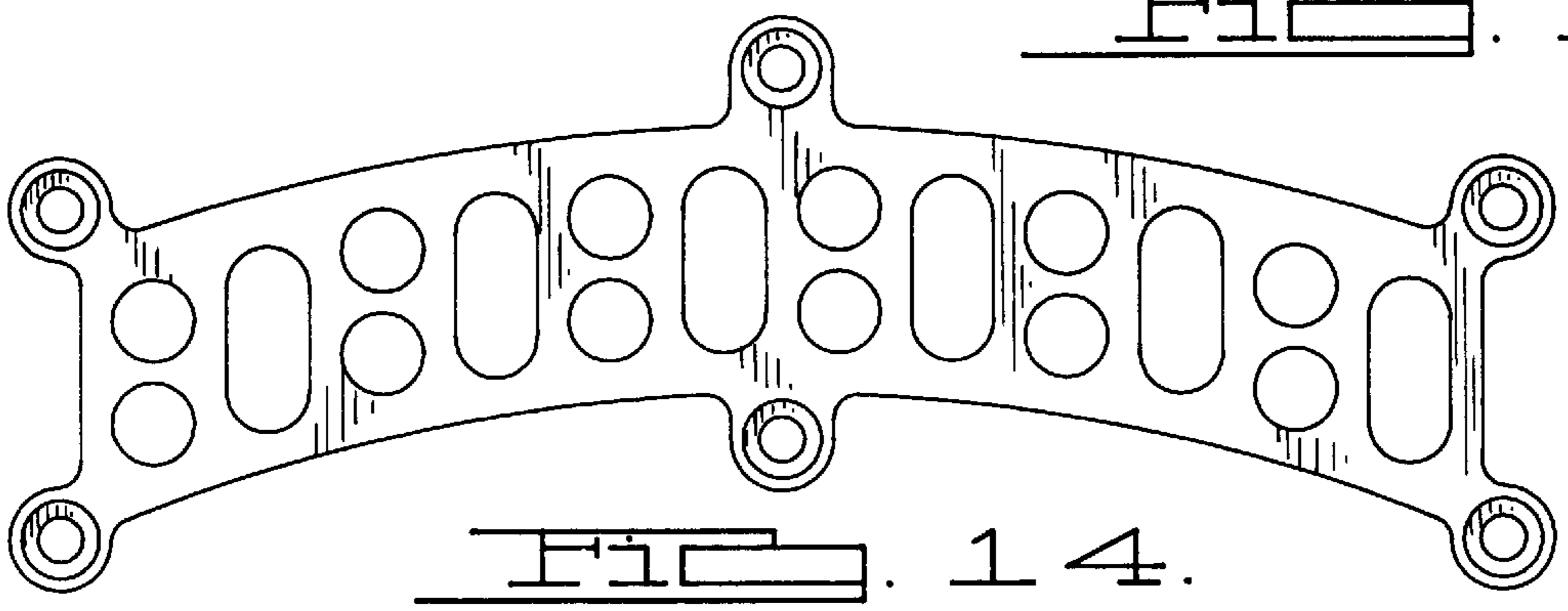


FIG. 14.

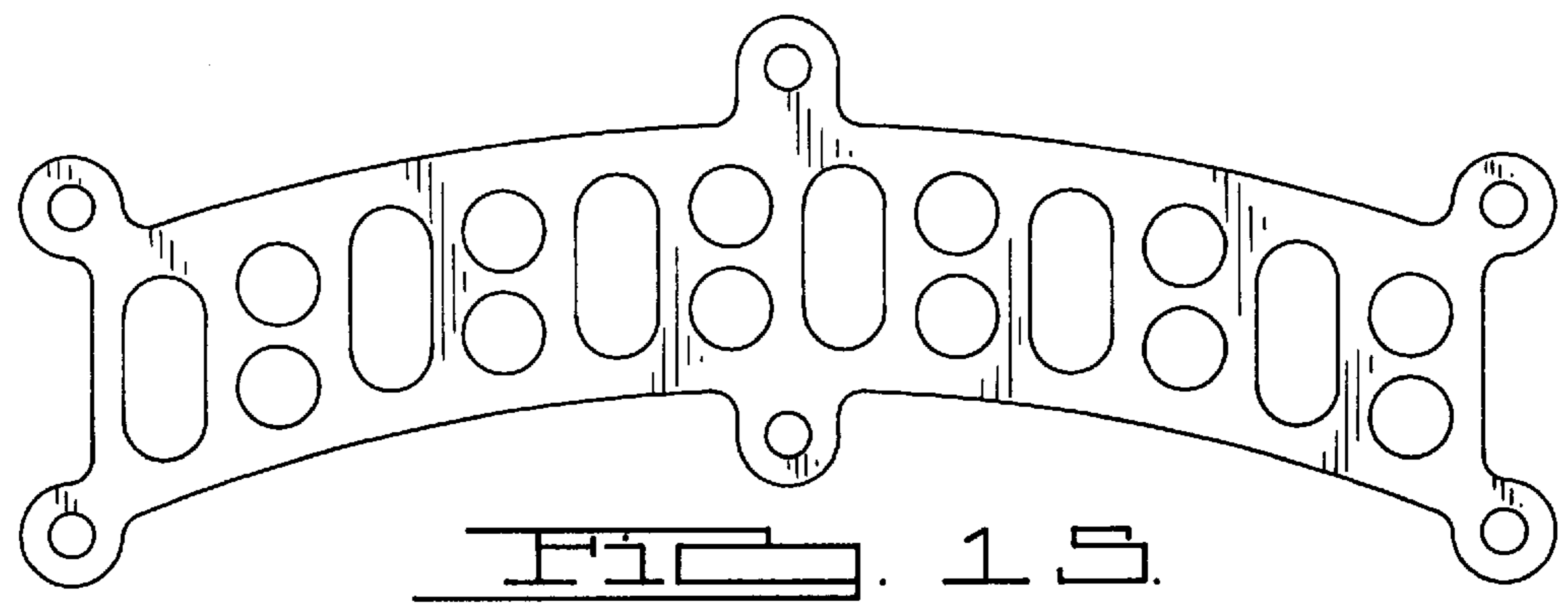


FIG. 15.

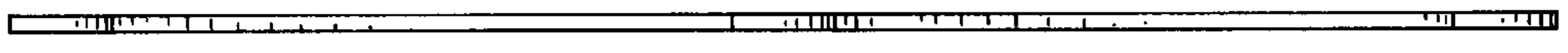


FIG. 16.



FIG. 17.