



US00D402031S

# United States Patent [19]

Roberts et al.

[11] **Patent Number: Des. 402,031**

[45] **Date of Patent: \*\*Dec. 1, 1998**

[54] **ELECTROSURGICAL PENCIL WITH  
ROCKER ARM ACTUATOR**

[75] Inventors: **Jeffrey B. Roberts**, Draper; **Gerald L. Pauley**, Sandy, both of Utah

[73] Assignee: **MegaDyne Medical Products, Inc.**,  
Draper, Utah

[\*\*] Term: **14 Years**

[21] Appl. No.: **78,521**

[22] Filed: **Oct. 29, 1997**

[51] **LOC (6) Cl.** ..... **24-02**

[52] **U.S. Cl.** ..... **D24/144**

[58] **Field of Search** ..... D24/144, 133,  
D24/147, 112, 113; 606/132, 186, 37-40,  
42, 45, 49.1; 604/236; 128/757; 433/91,  
95, 116

[56] **References Cited**

**U.S. PATENT DOCUMENTS**

D. 253,247	10/1979	Gill	.....	D24/144
D. 287,879	1/1987	Braxton et al.	.....	D24/144
D. 301,739	6/1989	Turner et al.	.....	D24/144

D. 370,731	6/1996	Corace et al.	.....	D24/144
D. 381,426	7/1997	Koros et al.	.....	D24/133 X
D. 382,342	8/1997	Rosen	.....	D24/147 X
2,971,509	2/1961	Cohen	.....	128/757
4,450,834	5/1984	Fischer	.....	128/757
5,295,830	3/1994	Shen et al.	.....	433/116
5,380,305	1/1995	Ghuri	.....	604/236
5,496,304	3/1996	Chasan	.....	606/186 X

*Primary Examiner*—Pamela Burgess  
*Attorney, Agent, or Firm*—John L. Sigalos

[57] **CLAIM**

The ornamental design for an electrosurgical pencil with rocker arm actuator, as shown and described.

**DESCRIPTION**

FIG. 1 is a perspective view of an electrosurgical pencil with rocker arm actuator showing our new design; FIG. 2 is a left side elevation view thereof with the right side elevation view being a mirror image thereof; FIG. 3 is a top plan thereof; FIG. 4 is a front view thereof; FIG. 5 is a rear view thereof; and, FIG. 6 is a bottom plan view thereof.

**1 Claim, 1 Drawing Sheet**

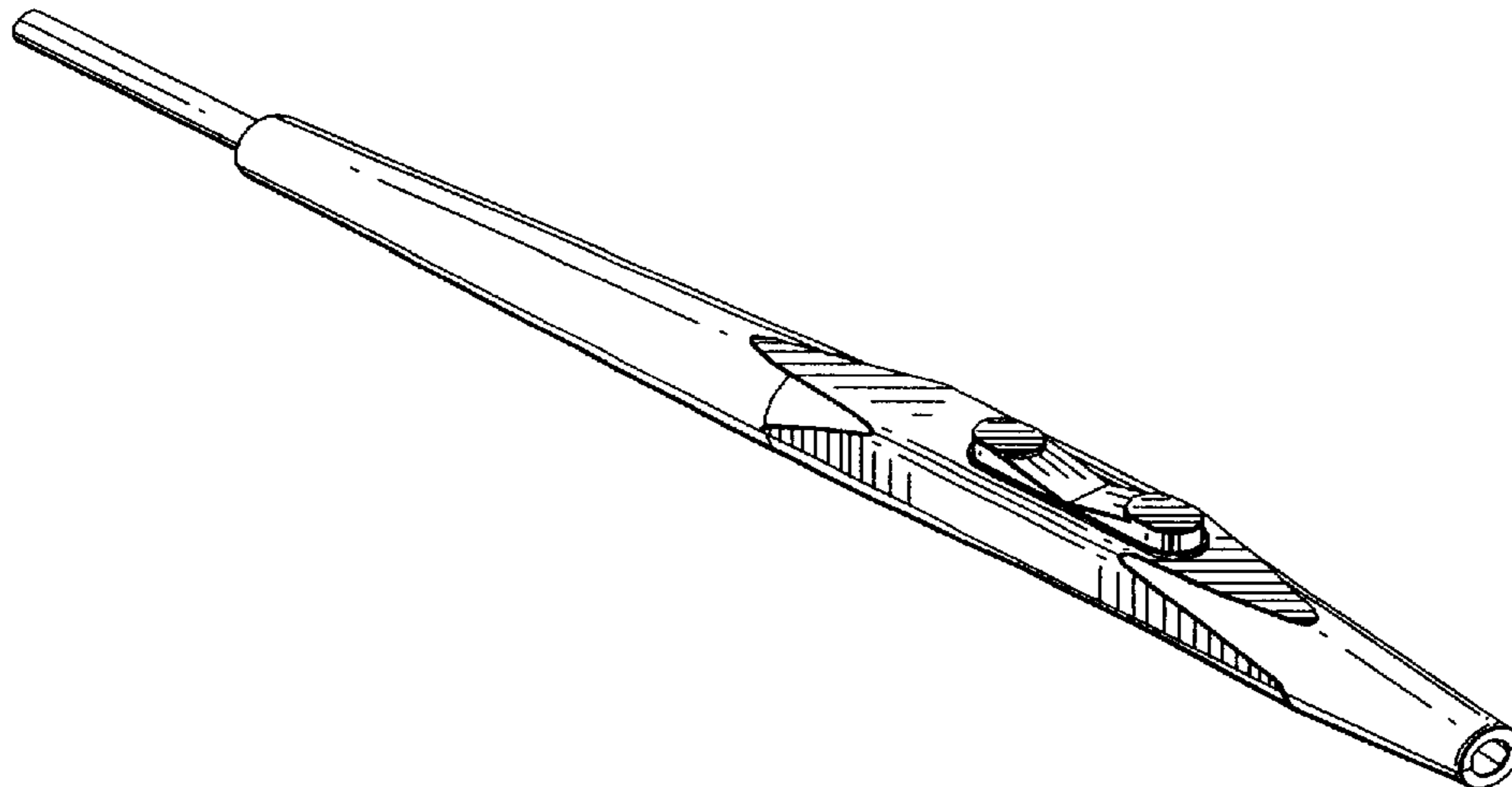


FIG. 1

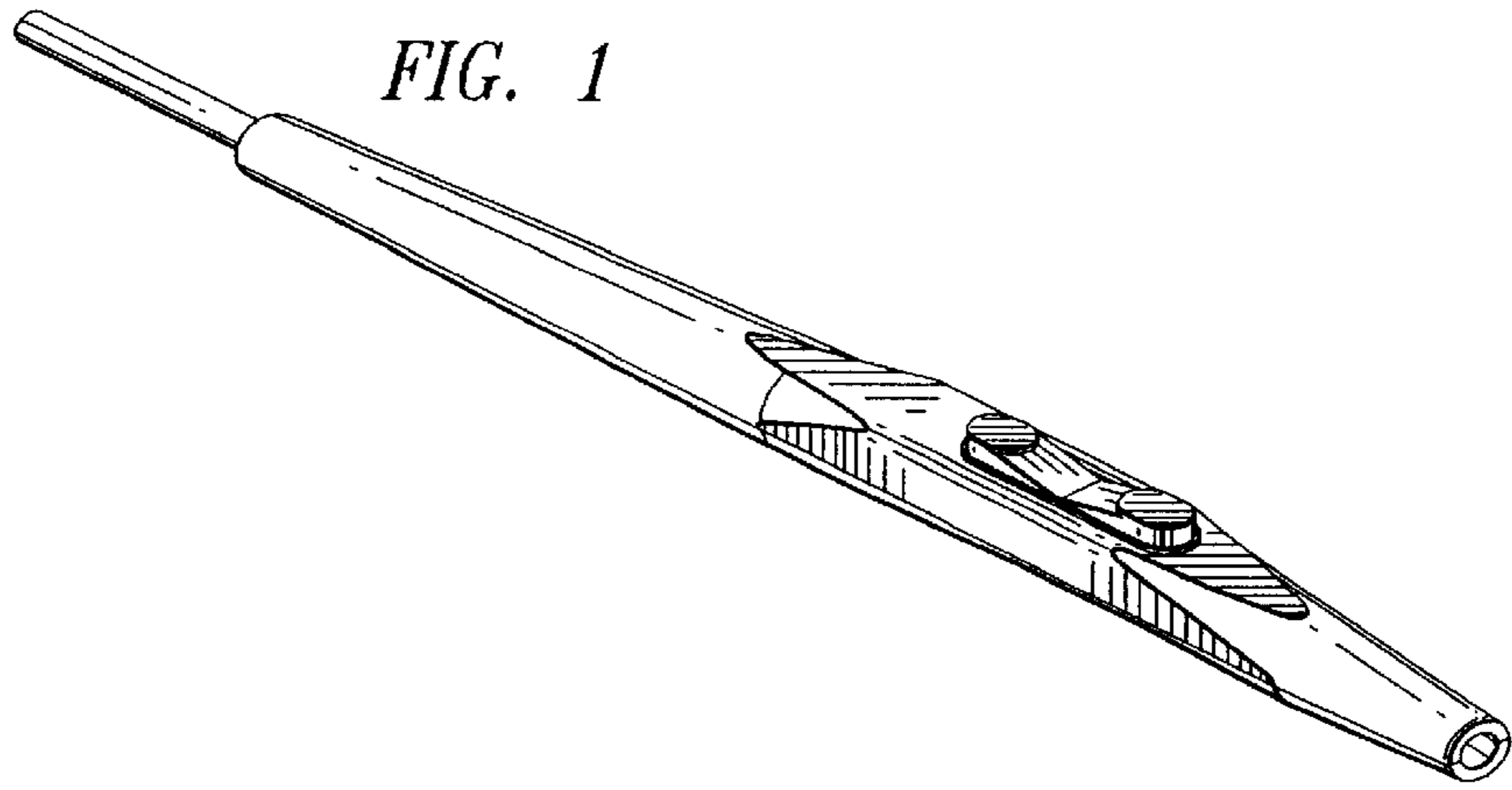


FIG. 2

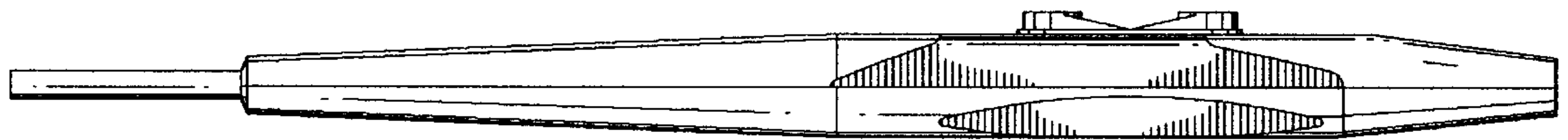


FIG. 3

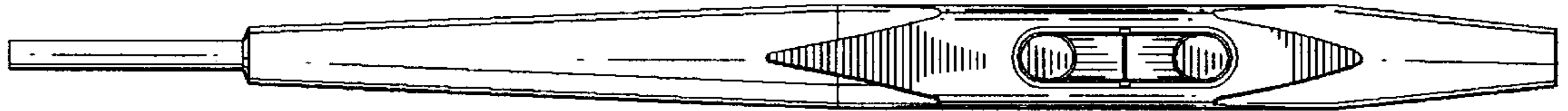


FIG. 4

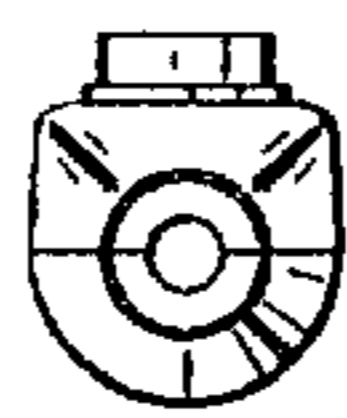


FIG. 5

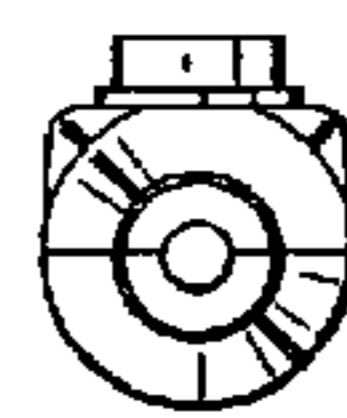


FIG. 6

