



US00D402030S

United States Patent [19]

Roberts et al.

[11] **Patent Number:** **Des. 402,030**

[45] **Date of Patent:** ****Dec. 1, 1998**

[54] **ELECTROSURGICAL PENCIL WITH PUSH BUTTON ACTUATORS**

[75] Inventors: **Jeffrey B. Roberts**, Draper; **Gerald L. Pauley**, Sandy, both of Utah

[73] Assignee: **MegaDyne Medical Products, Inc.**, Draper, Utah

[**] Term: **14 Years**

[21] Appl. No.: **78,520**

[22] Filed: **Oct. 29, 1997**

[51] **LOC (6) Cl.** **24-02**

[52] **U.S. Cl.** **D24/144**

[58] **Field of Search** D24/133, 147, D24/112, 113, 144; 606/160, 161, 132, 186, 37-40, 42, 45, 49.1; 604/236; 128/757; 433/91, 95, 116

[56] **References Cited**

U.S. PATENT DOCUMENTS

D. 253,247	10/1979	Gill	D24/144
D. 287,879	1/1987	Braxton et al.	D24/144
D. 301,739	6/1989	Turner et al.	D24/114

D. 370,731	6/1996	Corace et al.	D24/144
D. 381,426	7/1997	Koros et al.	D24/133 X
D. 382,342	8/1997	Rosen	D24/147 X
2,971,509	2/1961	Cohen	128/757
4,450,834	5/1984	Fischer	128/757
5,295,830	3/1994	Shen et al.	433/116
5,380,305	1/1995	Ghuri	604/236
5,496,304	3/1996	Chasan	606/186 X

Primary Examiner—Pamela Burgess
Attorney, Agent, or Firm—John L. Sigalos

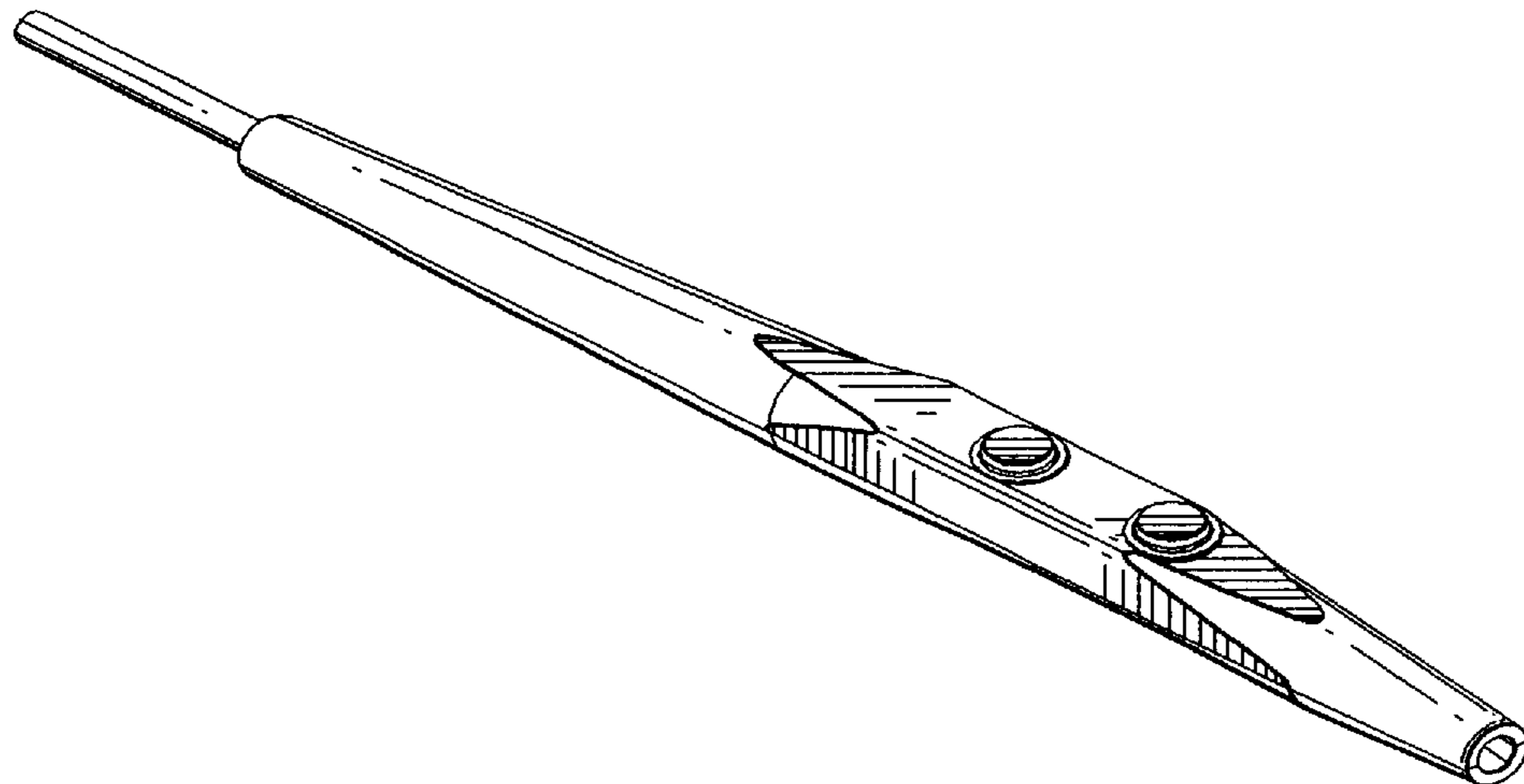
[57] **CLAIM**

The ornamental design for an electrosurgical pencil with push button actuators, as shown and described.

DESCRIPTION

FIG. 1 is a perspective view of an electrosurgical pencil with push button actuators showing our new design; FIG. 2 is a left side elevation view thereof with the right side elevation view being a mirror image thereof; FIG. 3 is a top plan thereof; FIG. 4 is a front view thereof; FIG. 5 is a rear view thereof; and, FIG. 6 is a bottom plan view thereof.

1 Claim, 1 Drawing Sheet



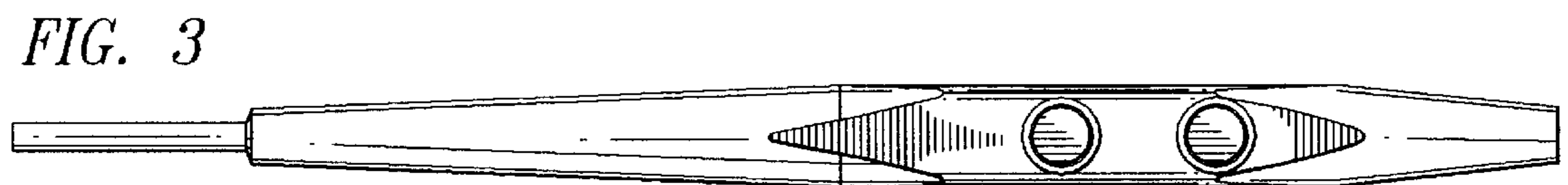
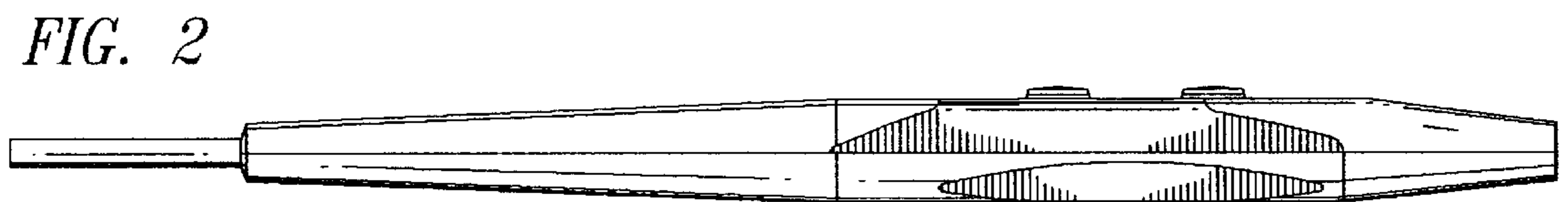
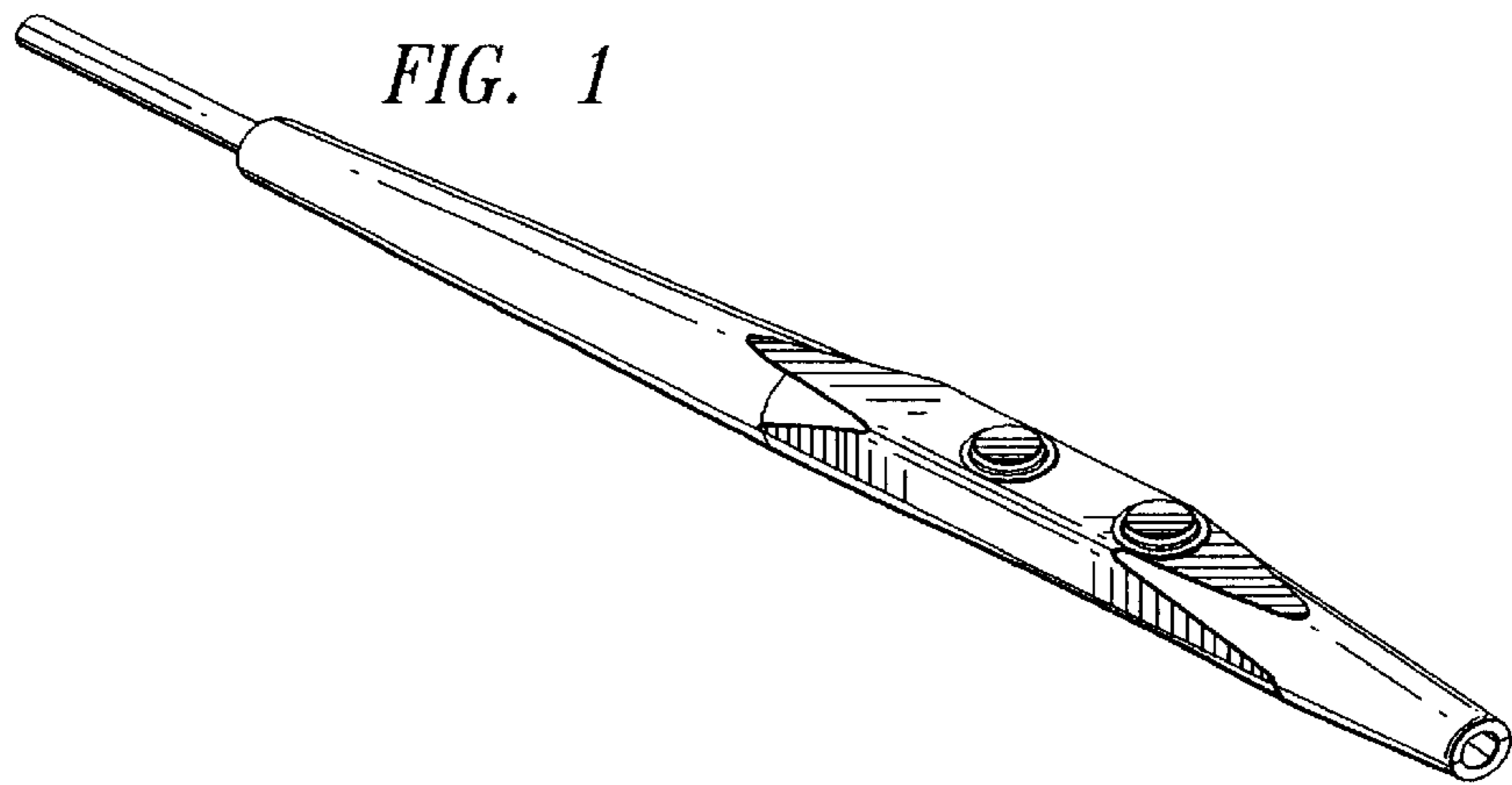


FIG. 4

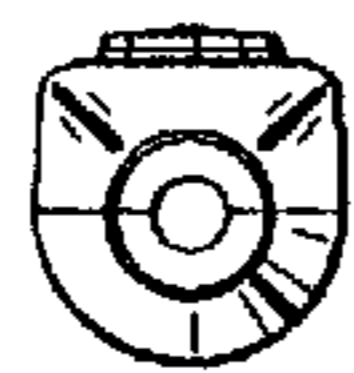


FIG. 5

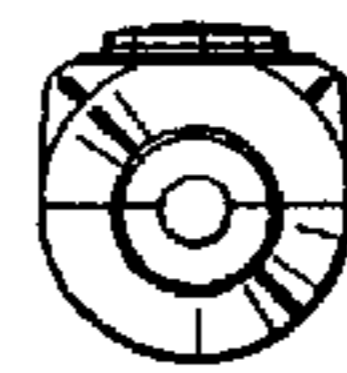


FIG. 6

