

US00D402026S

# United States Patent [19]

[11] **Patent Number: Des. 402,026**

**Chuang et al.**

[45] **Date of Patent: \*\*Dec. 1, 1998**

[54] **COMBINED CEILING FAN AND LIGHT**

[75] Inventors: **Lily L. Chuang**, Rocky Hill, Conn.;  
**Robert M. Kennedy**, Dallas, Tex.

[73] Assignee: **Litex Industries, Inc.**, Grand Prairie,  
Tex.

[\*\*] Term: **14 Years**

[21] Appl. No.: **80,875**

[22] Filed: **Dec. 18, 1997**

[51] **LOC (6) Cl. .... 23-04**

[52] **U.S. Cl. .... D23/377; D23/379; D23/385**

[58] **Field of Search .... D23/411, 413,**  
**D23/377, 379, 385; 416/5; 392/364; 362/96;**  
**D26/88, 81-86, 72, 51, 59**

1996 Minka-Aire Catalog MKA 96/97-1, p. 37, Light Kit Nos. K9316-22, K9317-22, K9318-22, K9321-22, and K9333-22.

1996 Minka-Aire Catalog MKA 96/97-1, p. 38, Light Kit Nos. K9330-AB, K9330-PB, K9330-WH, K9352-OWB, and K9352-PB.

1996 Minka-Aire Catalog MKA 96/97-1, p. 39, Light Kit Nos. K9341-11, K9341-22, K9341-44, K9342-11, K9342-22, K9342-44, K9334-11, K9334-22, K9334-44, K9347-11, K9347-22, and K9347-44.

Quorum Catalog, Ceiling Fan Nos. 29525-5, 29525-17, 29525-19, 29525-30, and 29525-66.

*Primary Examiner*—Lisa Lichtenstein  
*Attorney, Agent, or Firm*—Sidley & Austin

[57] **CLAIM**

The ornamental design for a combined ceiling fan and light, as shown and described.

[56] **References Cited**

**U.S. PATENT DOCUMENTS**

D. 347,685	6/1994	DiPasquale	.....	D23/377
D. 376,421	12/1996	Jaspers-Fayer	.....	D23/385
D. 378,404	3/1997	Jaspers-Fayer	.....	D23/385
D. 381,744	7/1997	Johnson	.....	D23/411
D. 383,529	9/1997	Tsuji	.....	D23/385

**OTHER PUBLICATIONS**

1996 Minka-Aire Catalog MKA 96/97-1, pp. 4-6, Ceiling Fan Nos. F500-CB, F500-OC, F500-OWB, and F500-WH.  
1996 Minka-Aire Catalog MKA 96/97-1, p. 25, Ceiling Fan Nos. F790-TW, F790-VE, and F790-RT.

**DESCRIPTION**

FIG. 1 is a perspective view of a combined ceiling fan and light embodying our design;

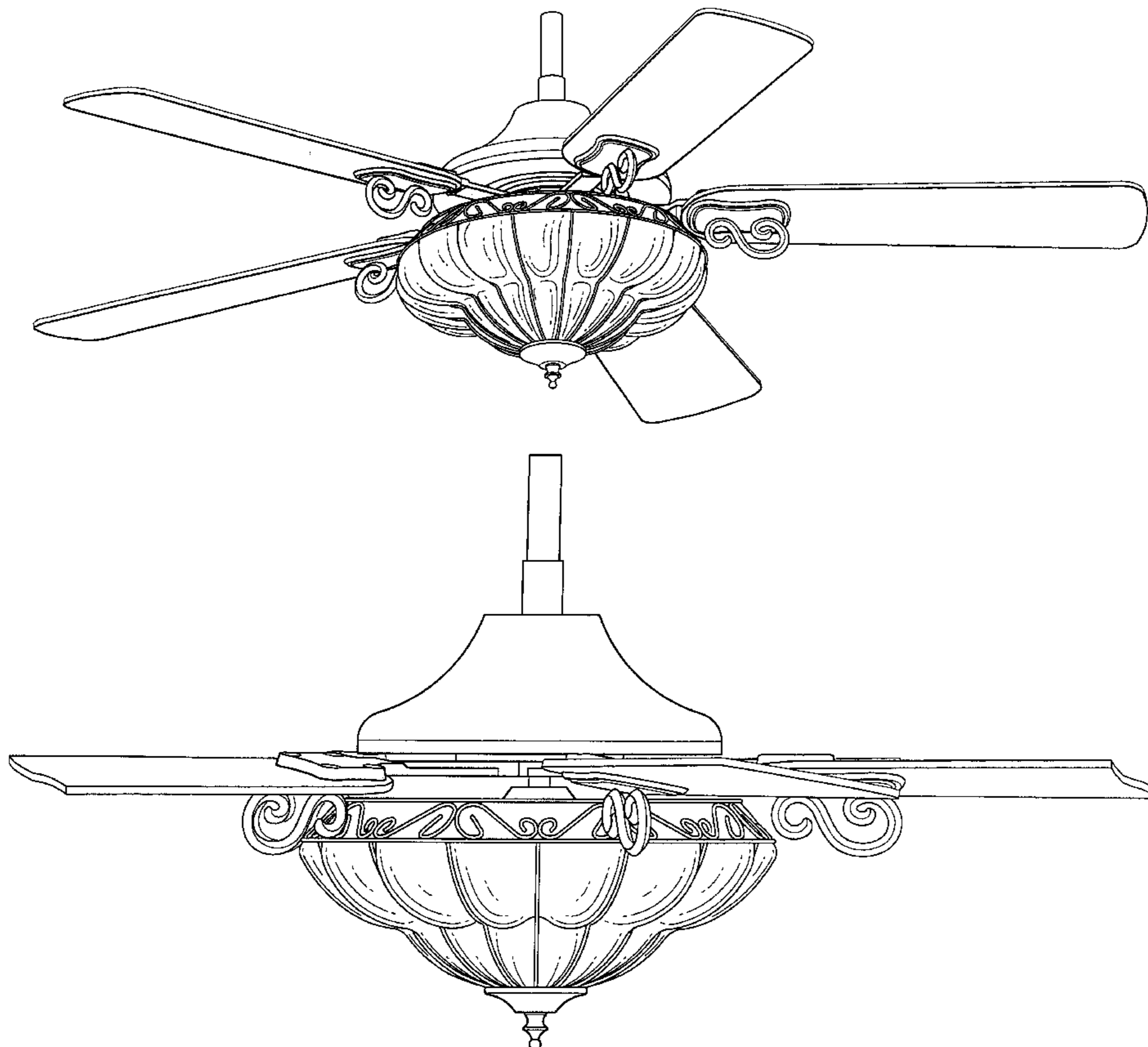
FIG. 2 is an enlarged front view thereof, the rear view being identical thereto;

FIG. 3 is an enlarged bottom view thereof; and,

FIG. 4 is an enlarged top view thereof.

Some of the fan blades in FIG. 2, and all of the fan blades in FIGS. 3 and 4 have been shown broken-away for ease of illustration.

**1 Claim, 4 Drawing Sheets**



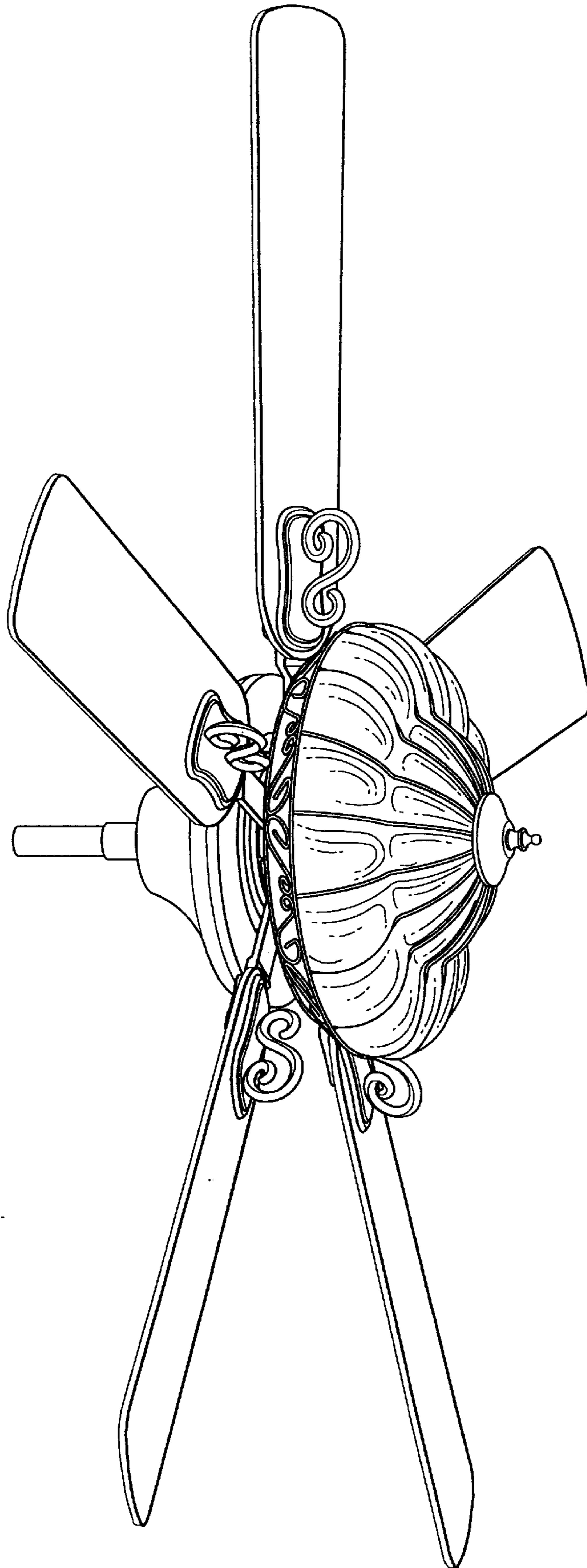


FIG. 1

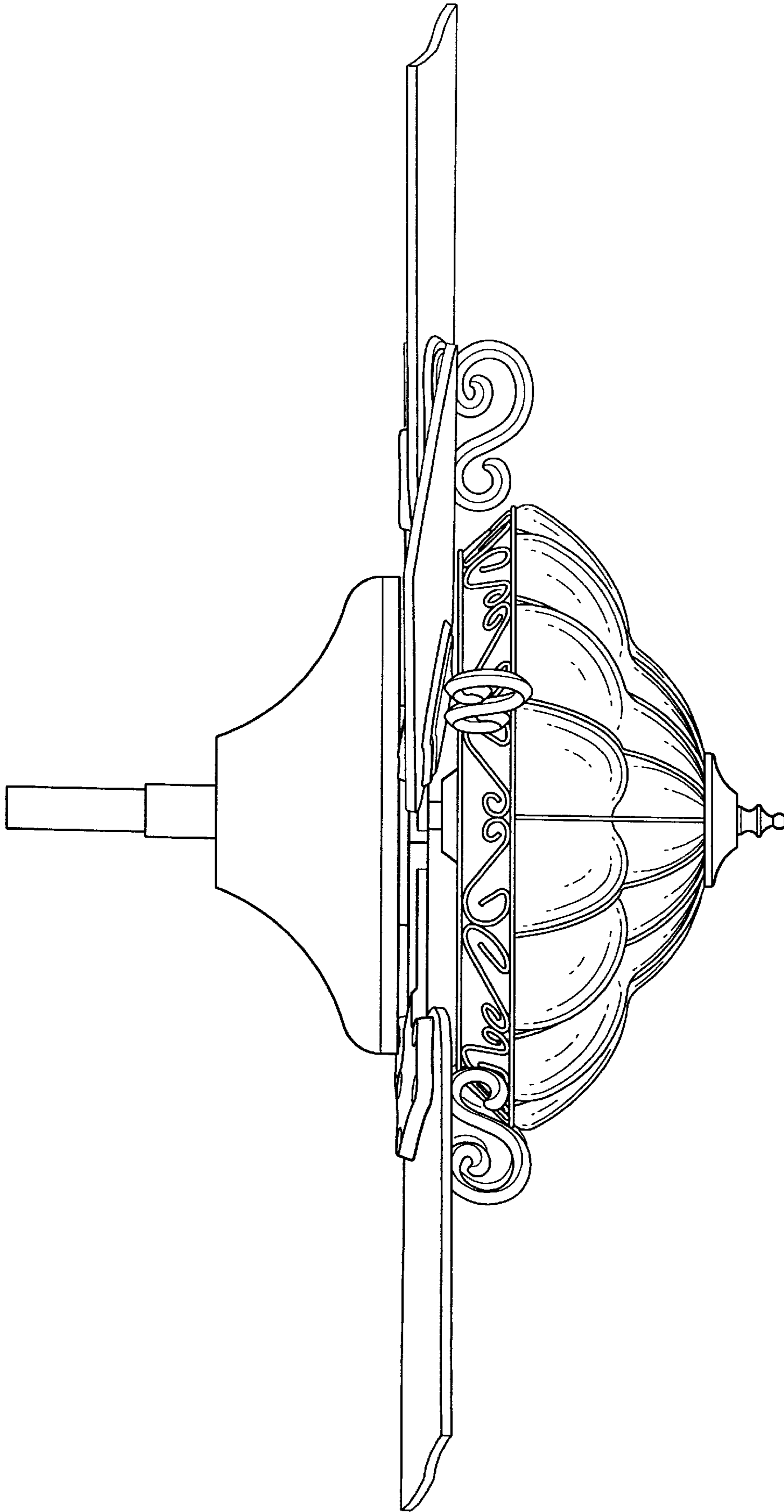


FIG. 2

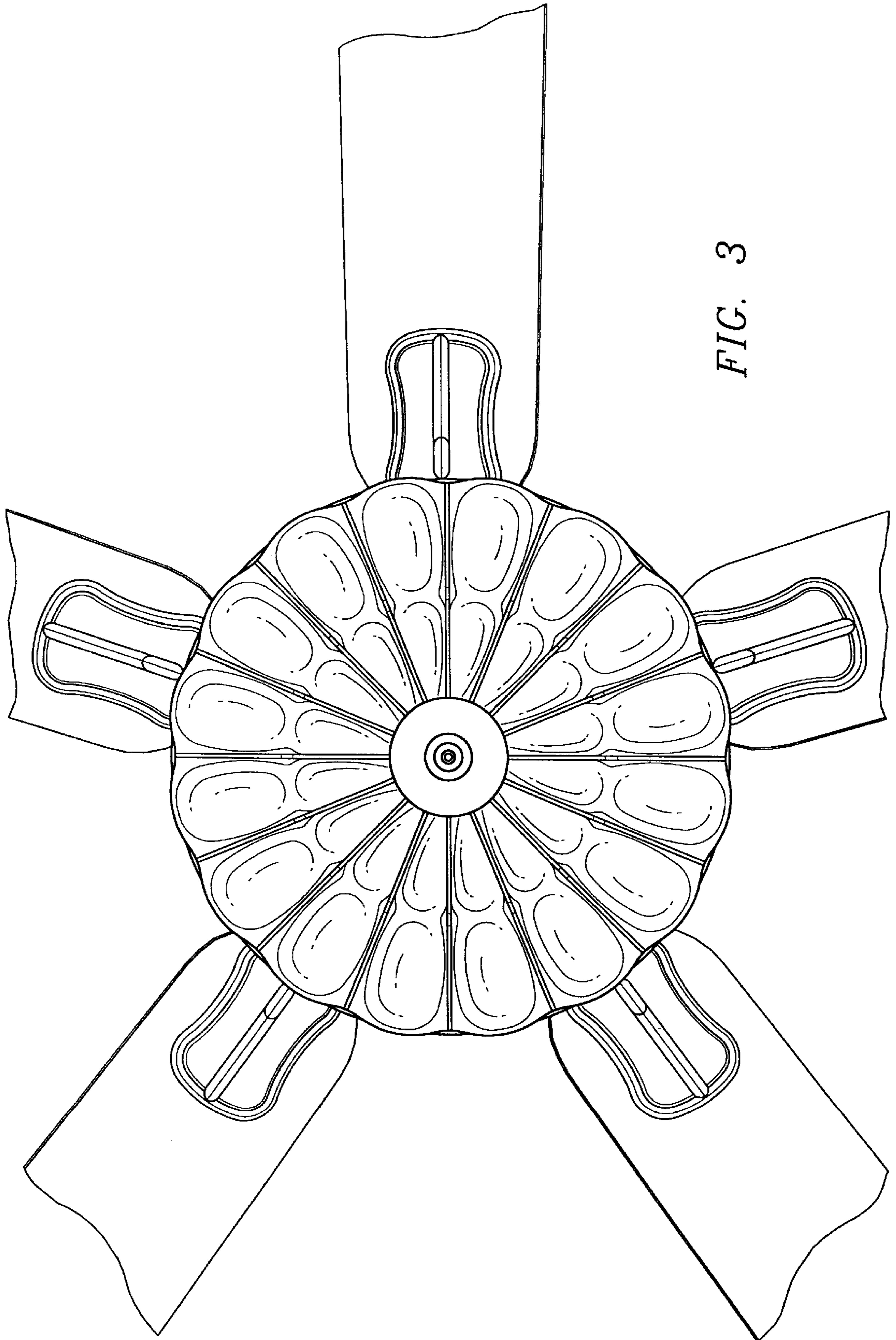


FIG. 3

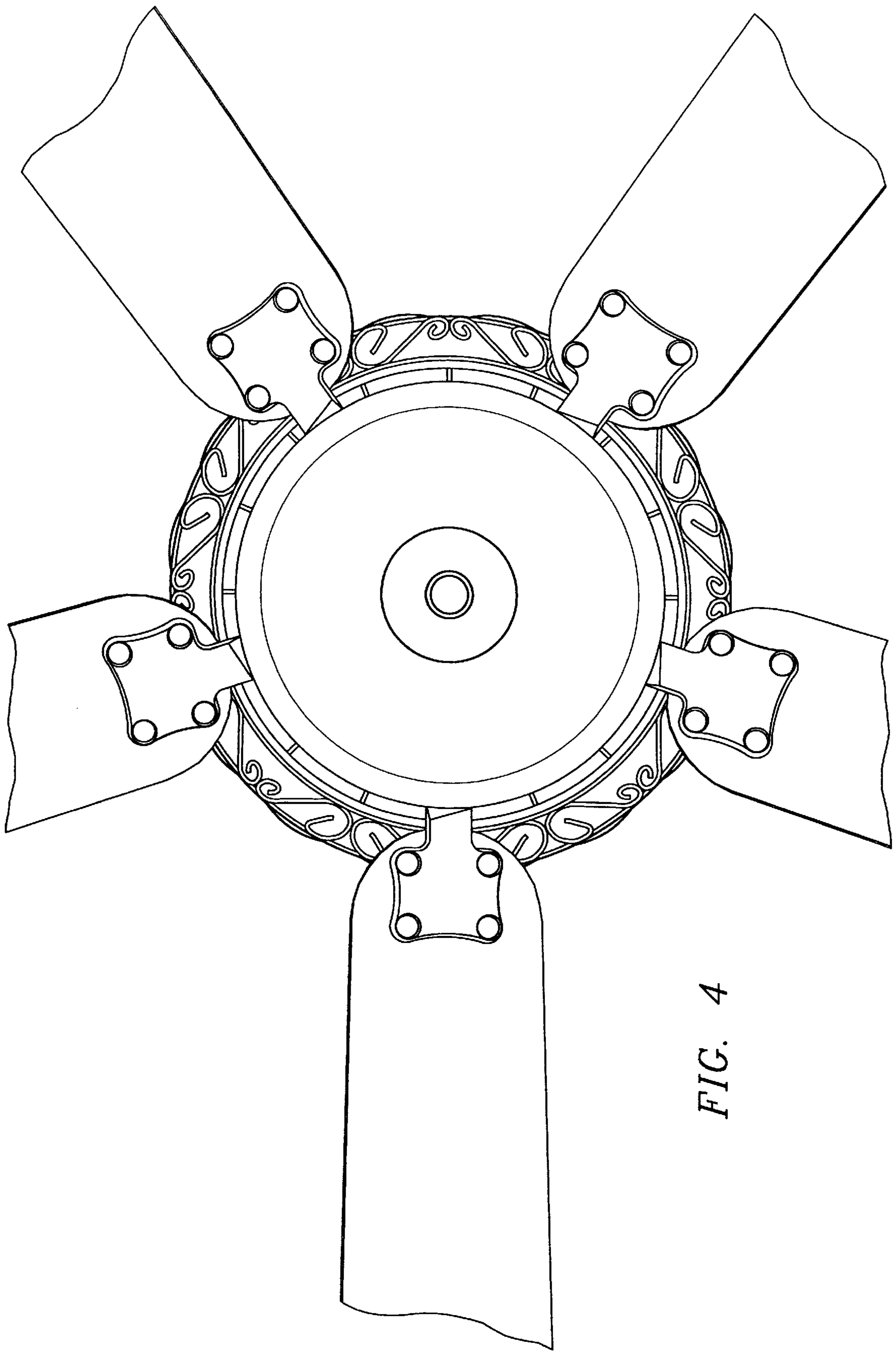


FIG. 4