



US00D402025S

# United States Patent [19]

**Dodson**

[11] **Patent Number: Des. 402,025**

[45] **Date of Patent: \*\*Dec. 1, 1998**

[54] **COOLING DEVICE**

5,638,895 6/1997 Dodson ..... 361/697

[76] Inventor: **Douglas A. Dodson**, 5995 Avenida Encinas, Carlsbad, Calif. 92008

*Primary Examiner*—Lisa Lichtenstein  
*Attorney, Agent, or Firm*—Calif Kip Tervo

[\*\*] Term: **14 Years**

[57] **CLAIM**

[21] Appl. No.: **78,306**

The ornamental design for a cooling device, as shown and described.

[22] Filed: **Oct. 14, 1997**

**DESCRIPTION**

[51] **LOC (6) Cl.** ..... **23-04**

FIG. 1 is a perspective view of a cooling device showing my new design;

[52] **U.S. Cl.** ..... **D23/370**

FIG. 2 is a front elevational view thereof;

[58] **Field of Search** ..... D23/370, 314;

FIG. 3 is a top plan view thereof;

361/697, 703; 165/185

FIG. 4 is a rear elevational view thereof;

[56] **References Cited**

FIG. 5 is a left side elevational view thereof, the right side being a mirror image; and,

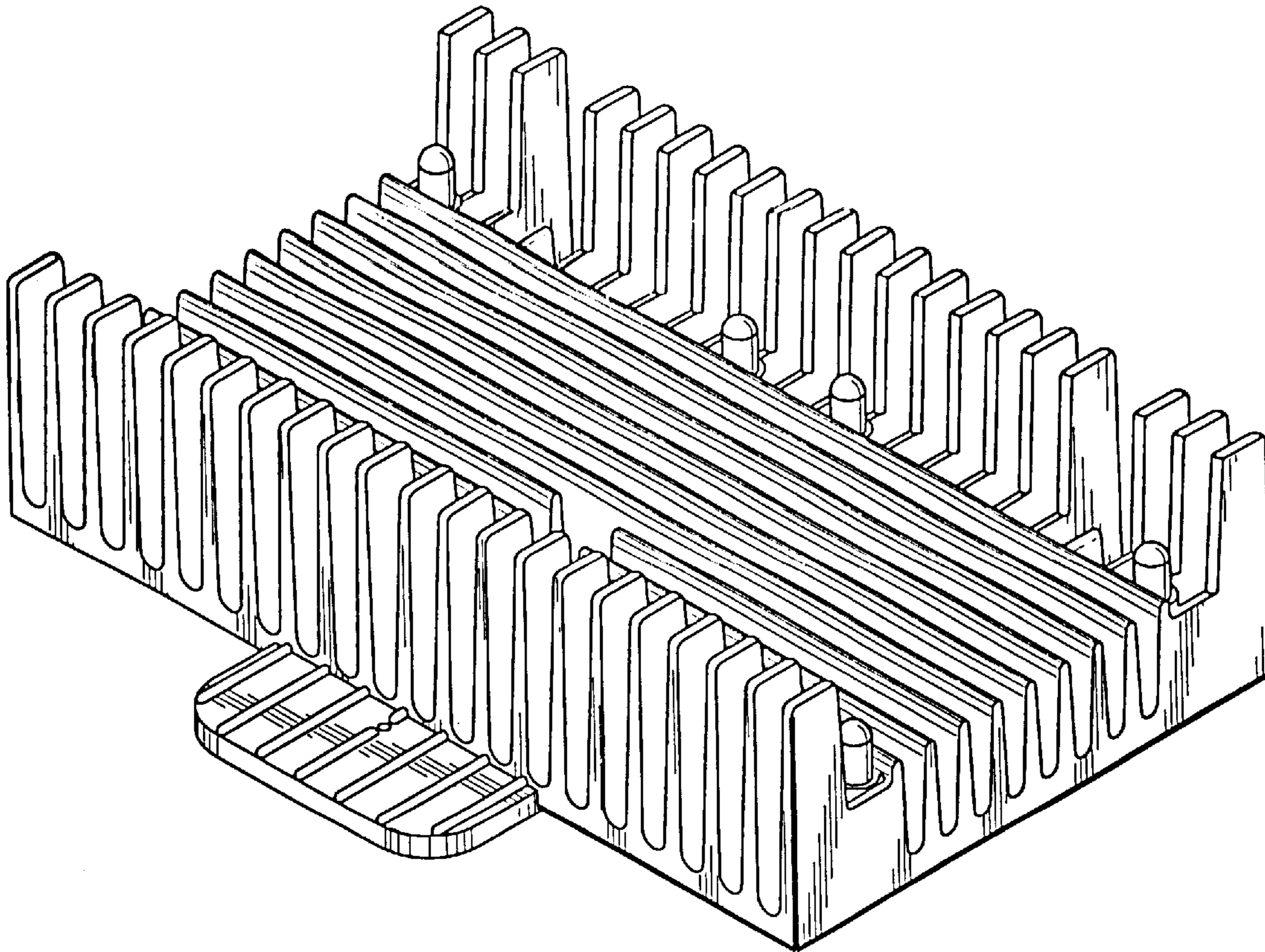
**U.S. PATENT DOCUMENTS**

FIG. 6 is a bottom plan view thereof.

5,299,632 4/1994 Lee ..... 361/697

5,430,611 7/1995 Patel et al. .... 361/697

**1 Claim, 2 Drawing Sheets**



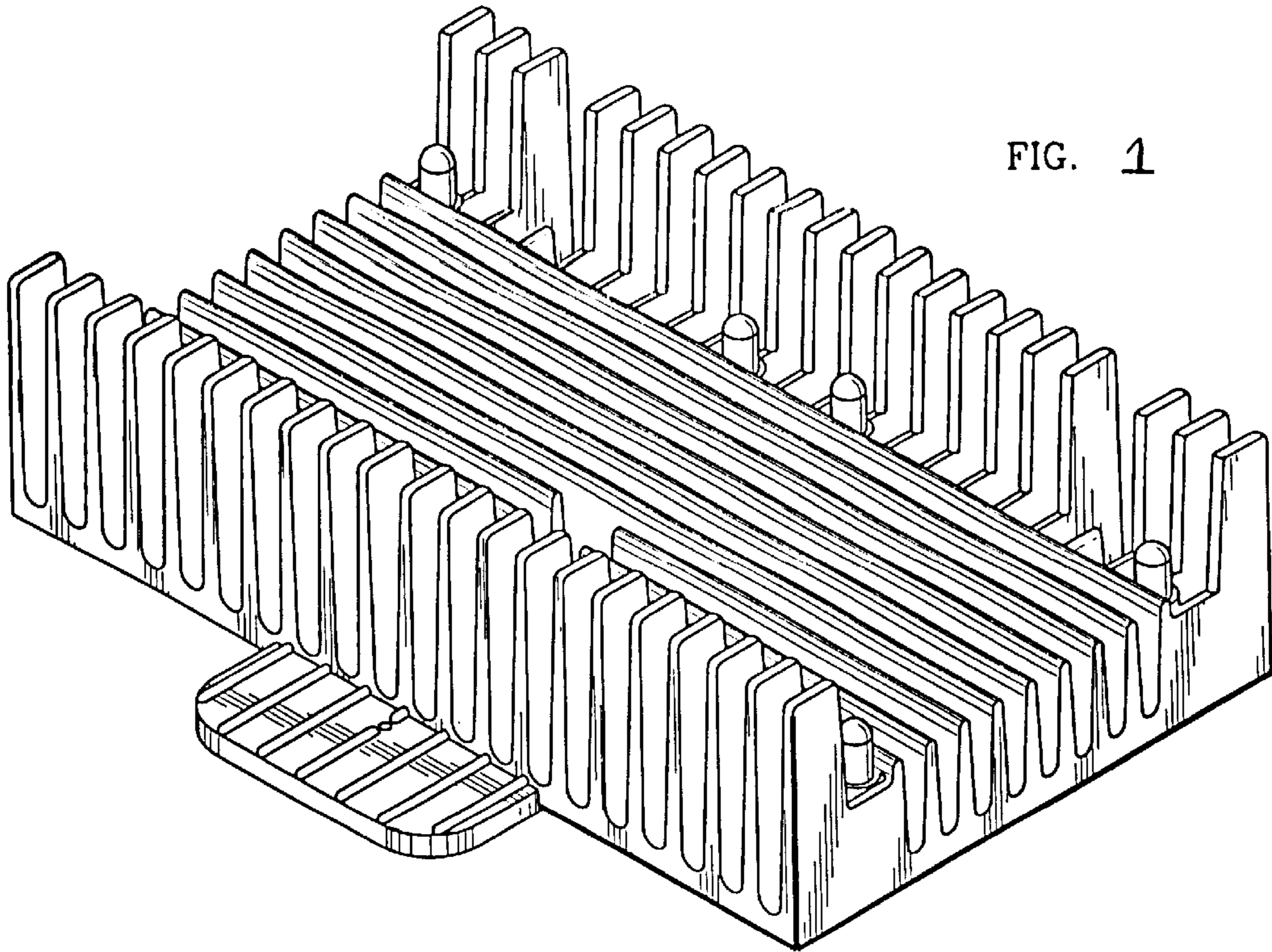


FIG. 1

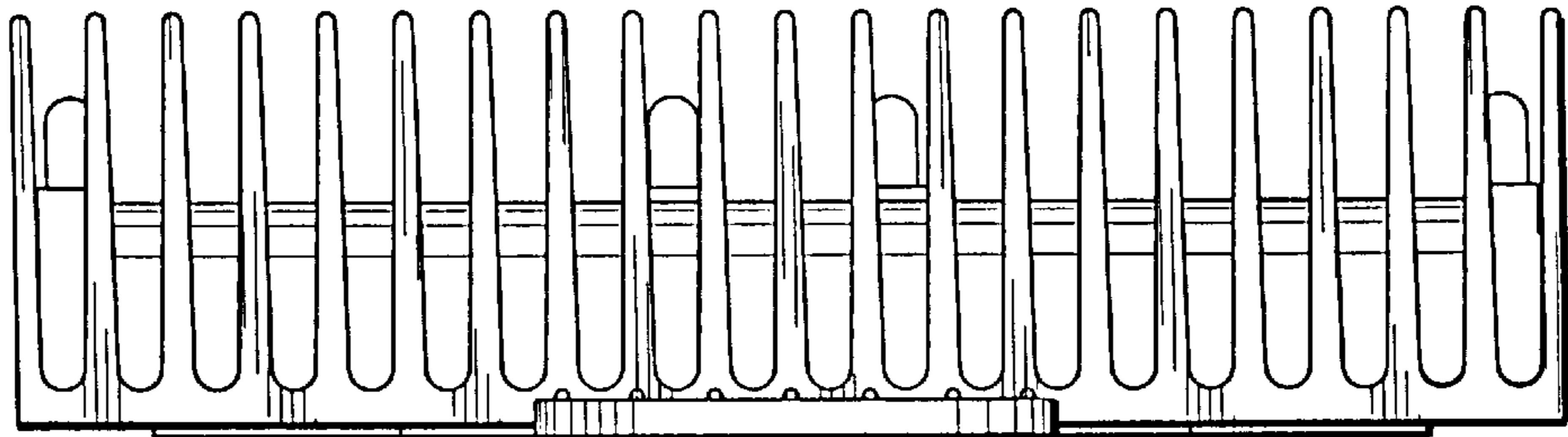


FIG. 2

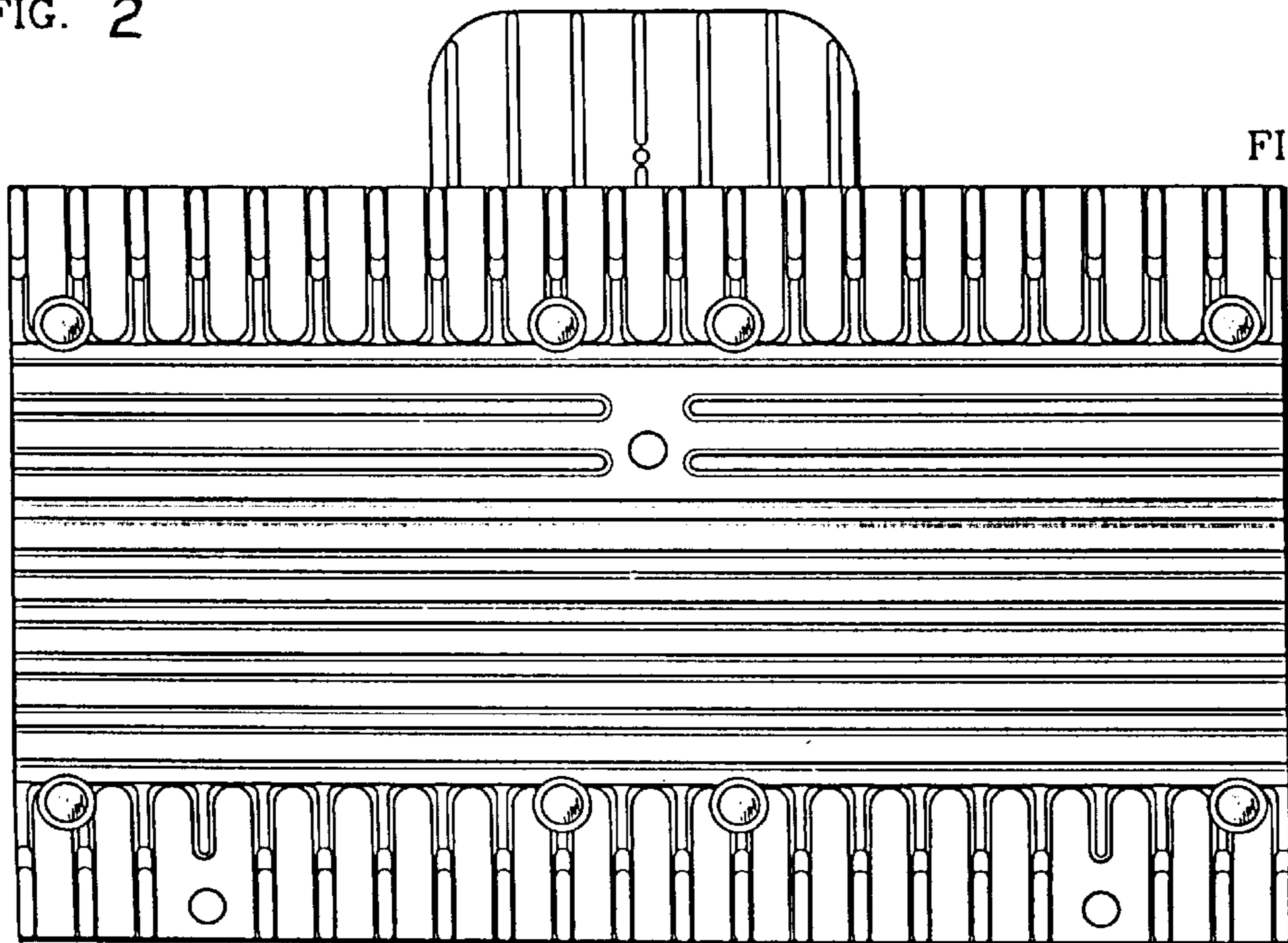


FIG. 3

FIG. 4

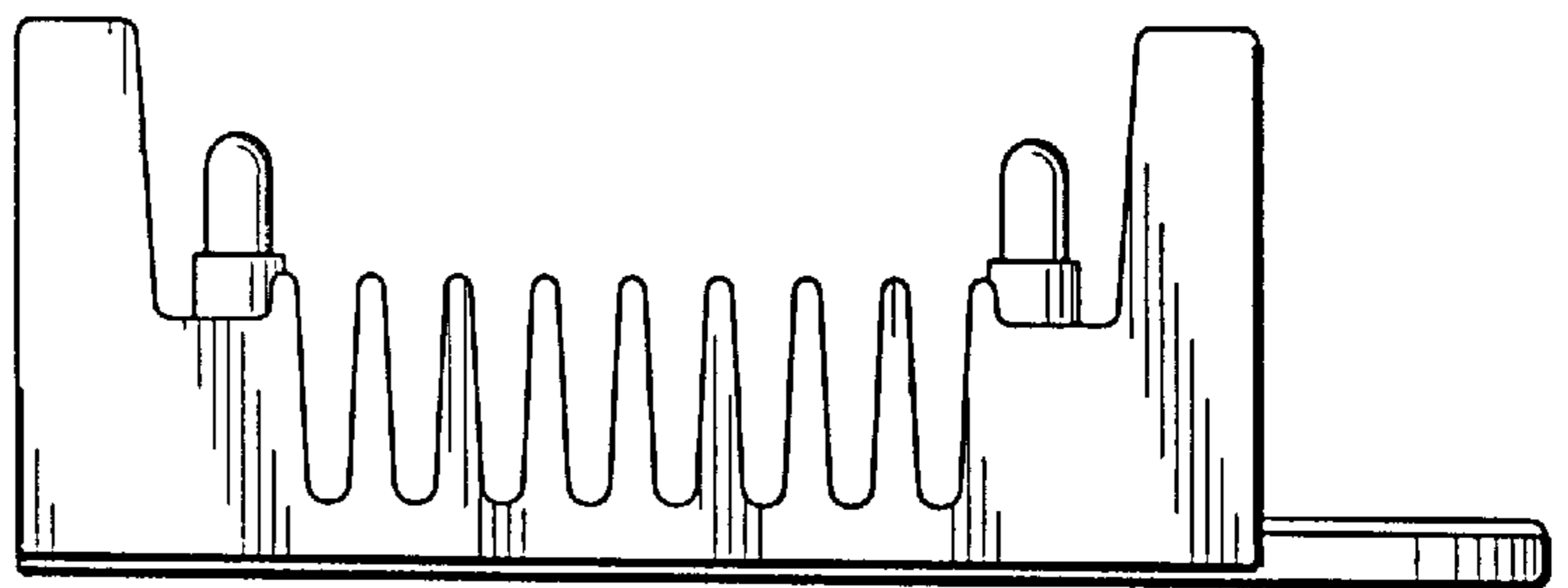
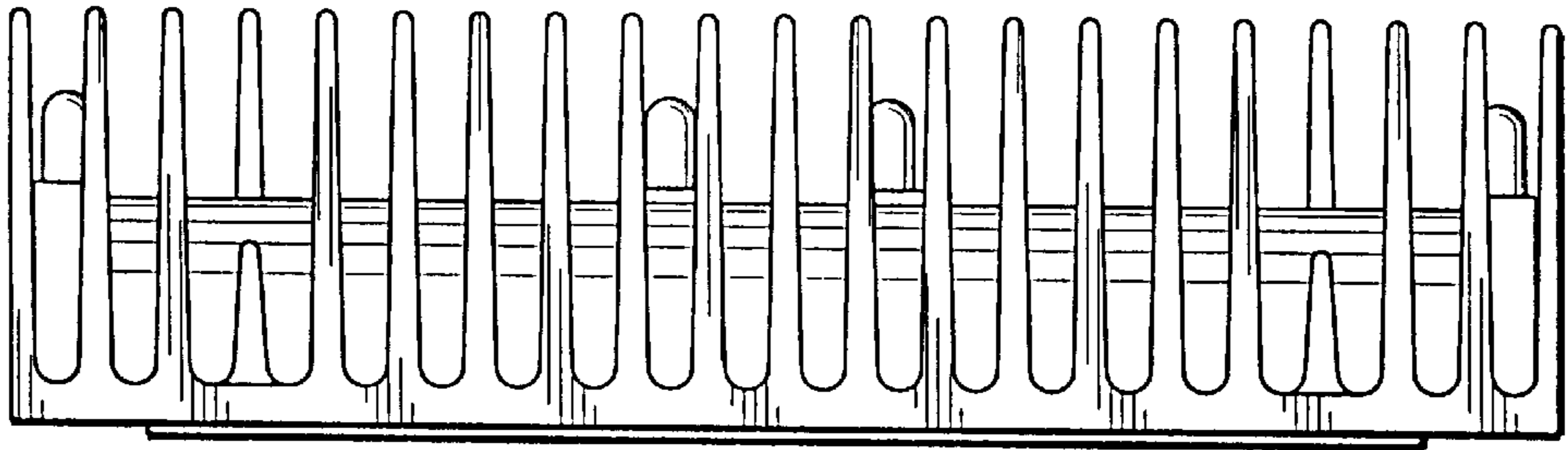


FIG. 5

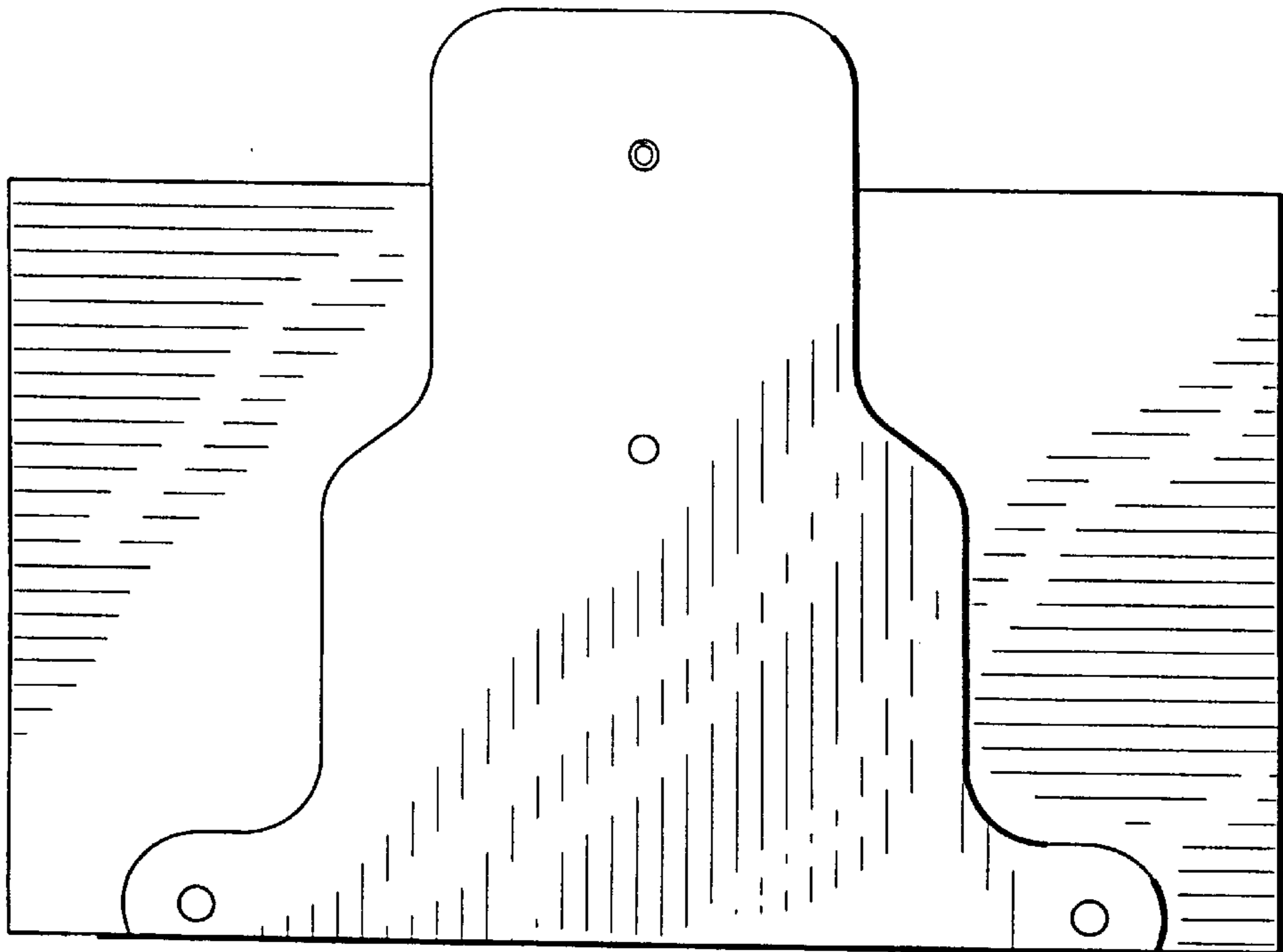


FIG. 6