



US00D402024S

United States Patent [19] Dudley

[11] **Patent Number: Des. 402,024**

[45] **Date of Patent: **Dec. 1, 1998**

[54] **HOUSING FOR A VEHICLE AIR FILTER**

[75] Inventor: **Lynn A. Dudley**, Chino, Calif.

[73] Assignee: **Vortex Company**, Claremont, Calif.

[**] Term: **14 Years**

[21] Appl. No.: **77,571**

[22] Filed: **Oct. 6, 1997**

[51] **LOC (6) Cl. 23-04**

[52] **U.S. Cl. D23/365**

[58] **Field of Search D23/365; 55/385.3**

[56] **References Cited**

U.S. PATENT DOCUMENTS

4,265,647	5/1981	Donachiue	55/385.3
4,758,460	7/1988	Spicer et al.	55/385.3
5,275,636	1/1994	Dubley et al.	55/385.3
5,423,892	6/1995	Kahlbaugh et al.	55/498

Primary Examiner—Lisa Lichtenstein
Attorney, Agent, or Firm—Boniard I. Brown

[57] **CLAIM**

The ornamental design for a housing for a vehicle air filter, as shown and described.

DESCRIPTION

FIG. 1 is a perspective view of a housing for a vehicle air filter showing my new design;

FIG. 2 is an elevational view thereof;

FIG. 3 is a top view thereof;

FIG. 4 is a bottom view thereof;

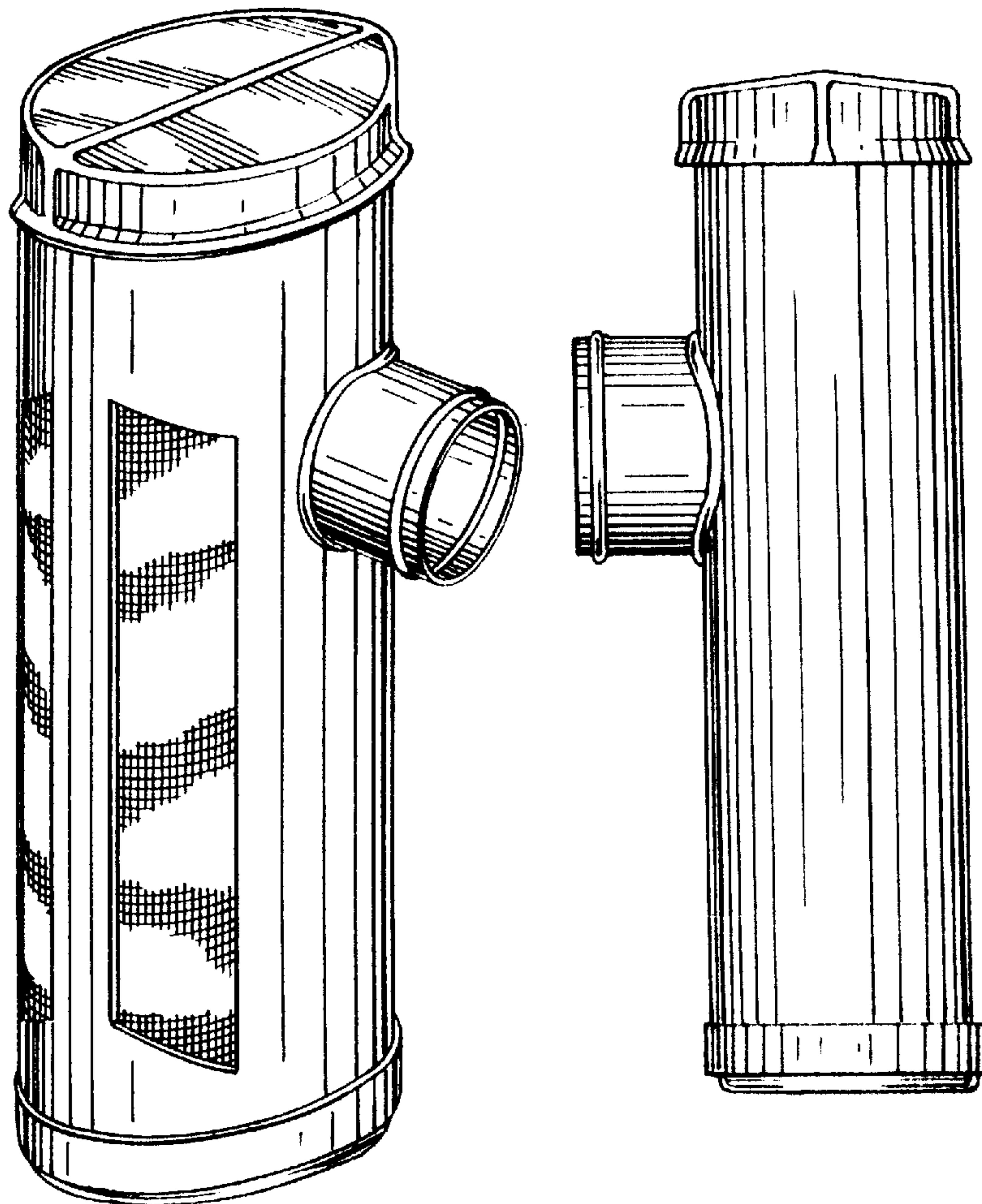
FIG. 5 is an elevational view opposite from that of FIG. 2;

FIG. 6 is a side view thereof; and,

FIG. 7 is the side opposite from that of FIG. 6.

The cross-hatching represents a screen and is understood to extend throughout the areas represented.

1 Claim, 2 Drawing Sheets



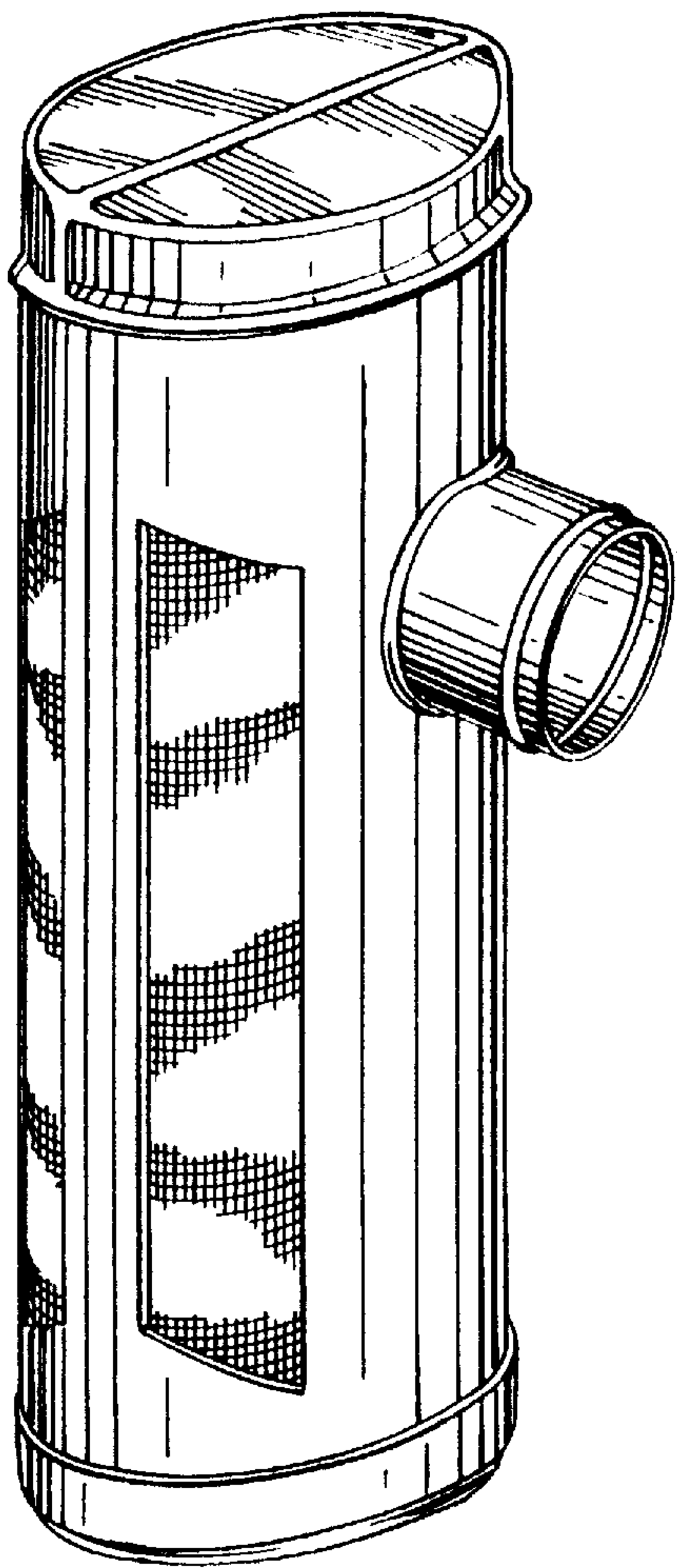


FIG. 1

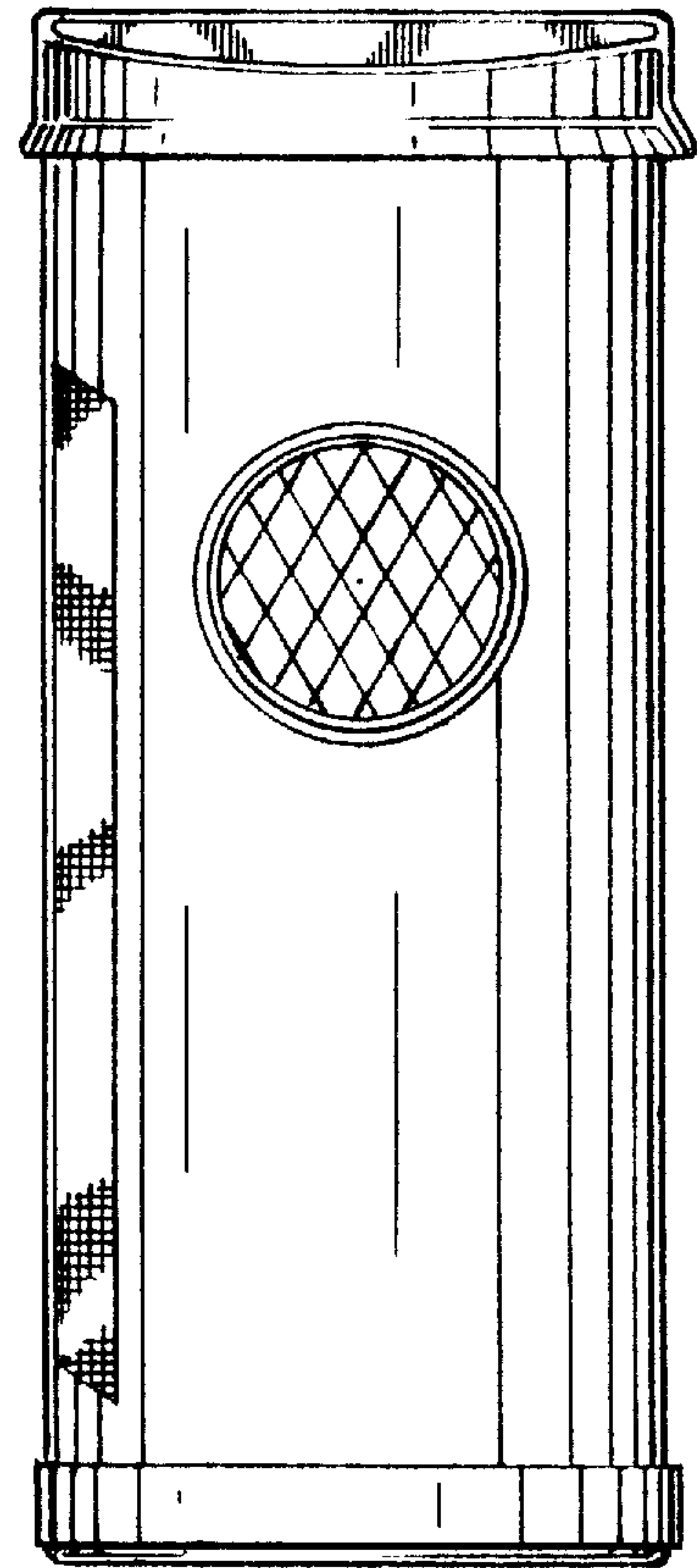


FIG. 2

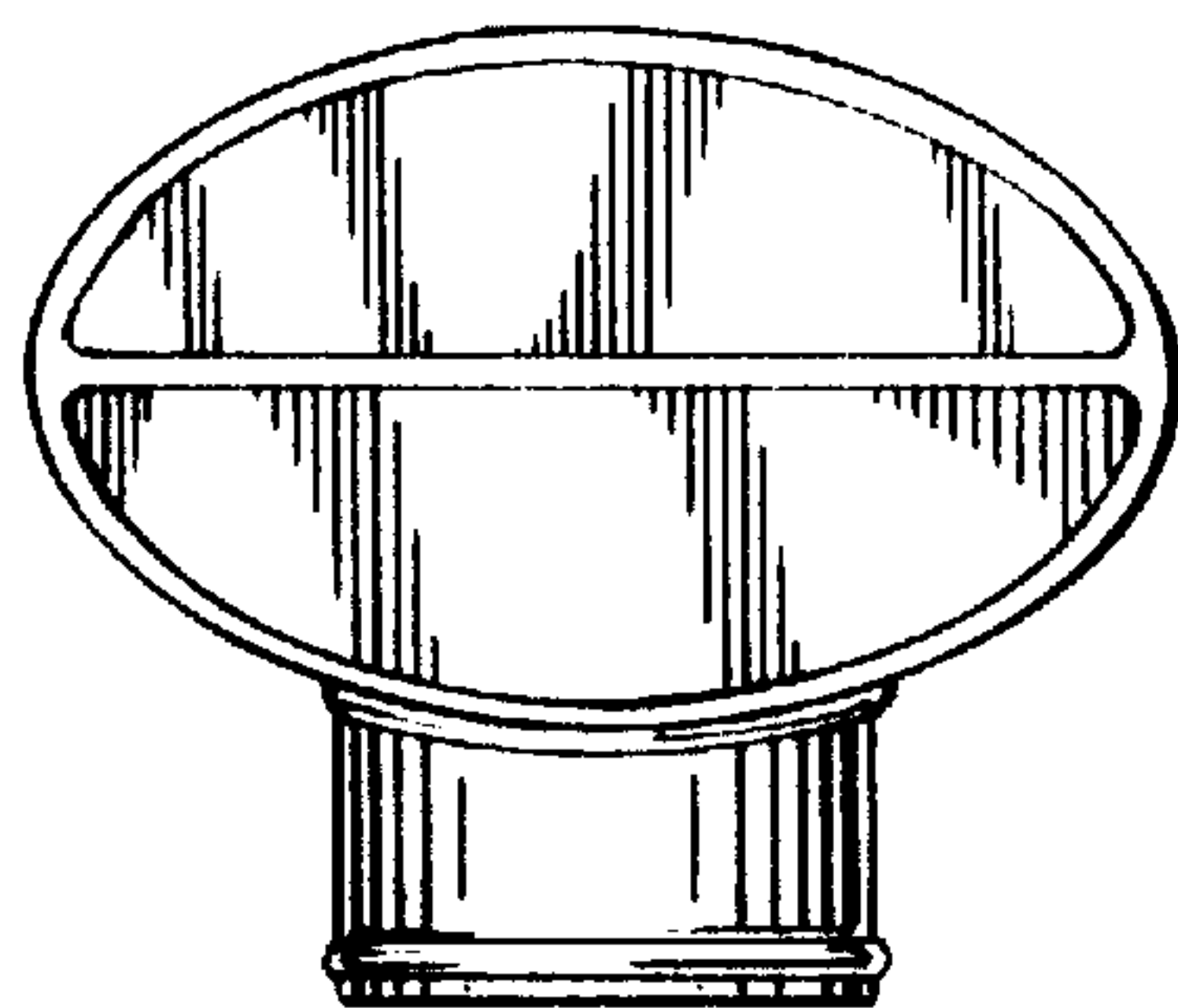


FIG. 3

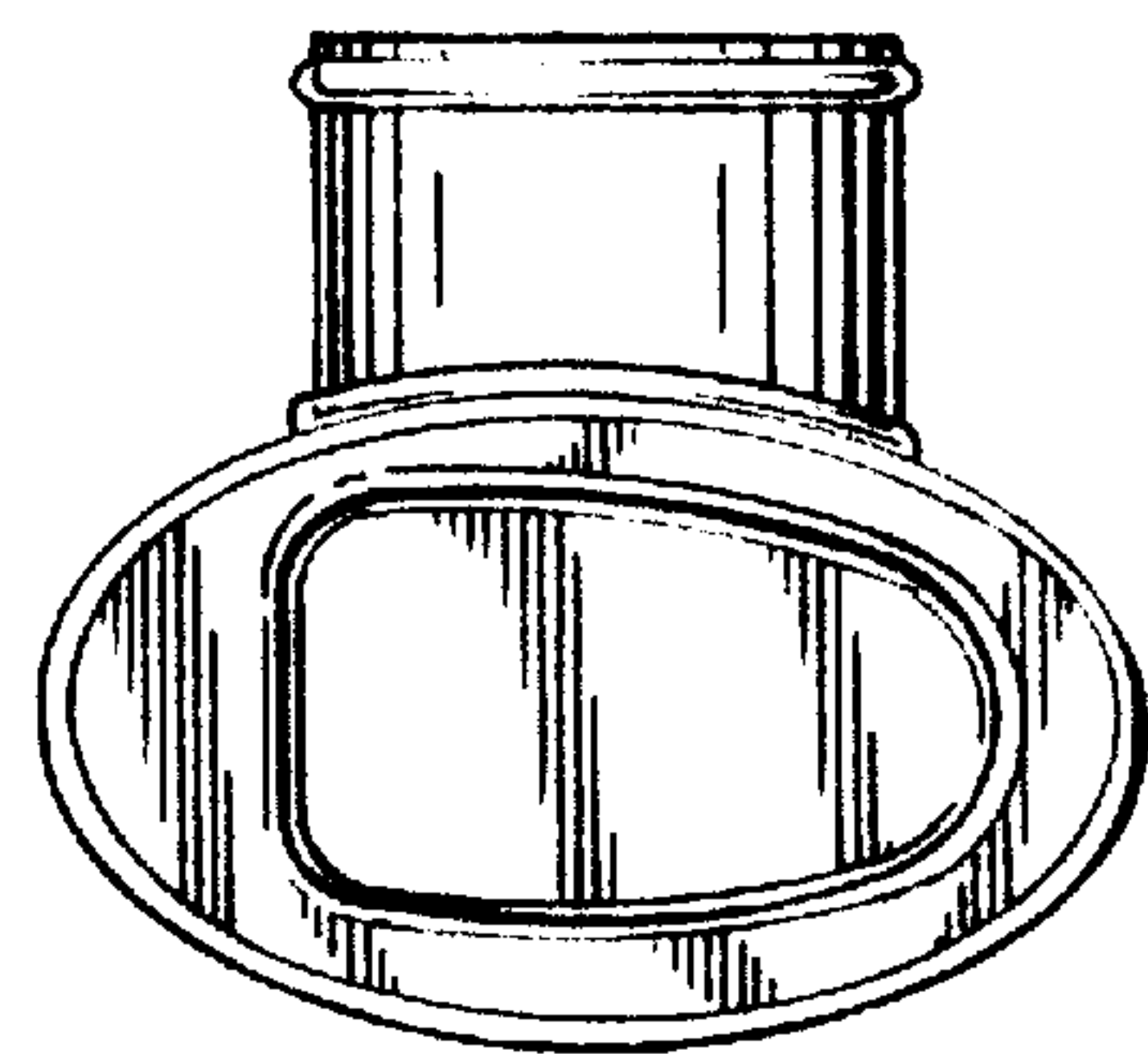


FIG. 4

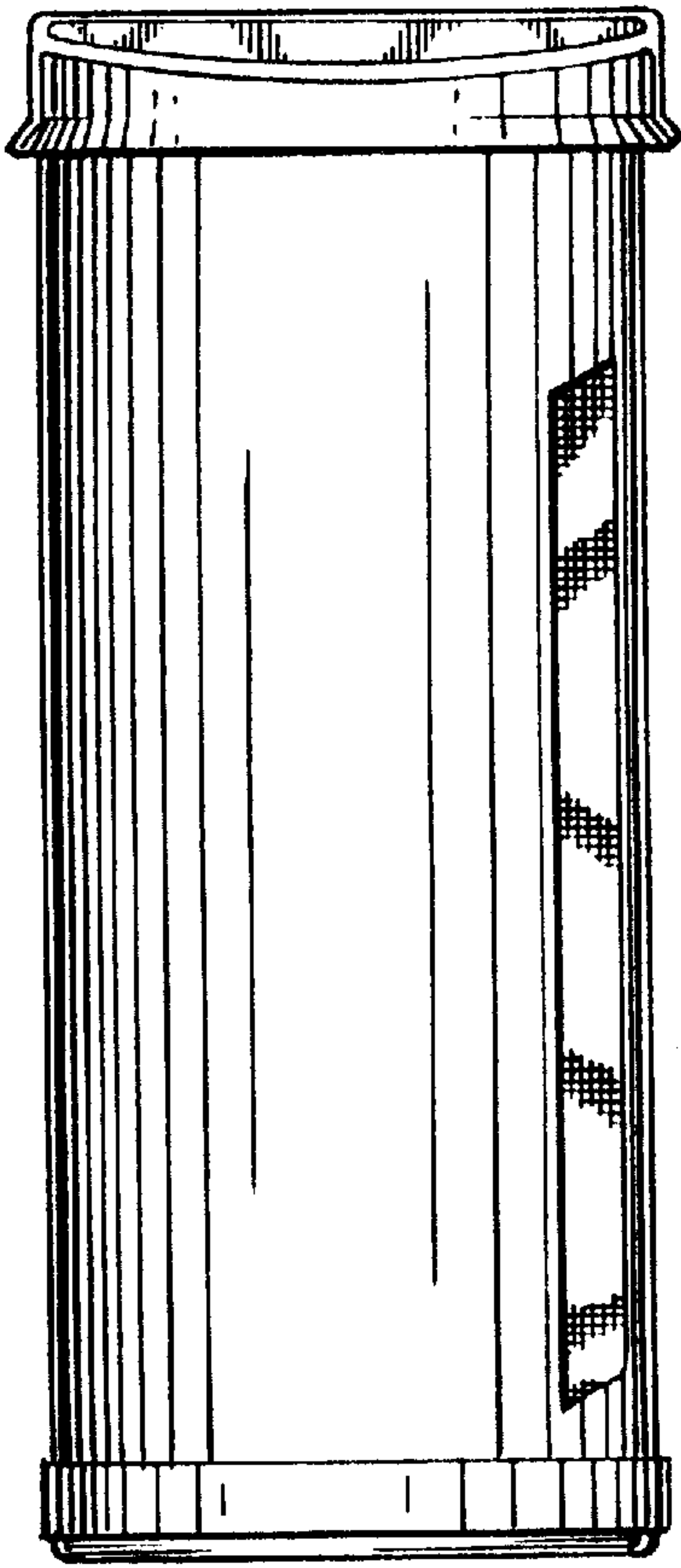


FIG. 5

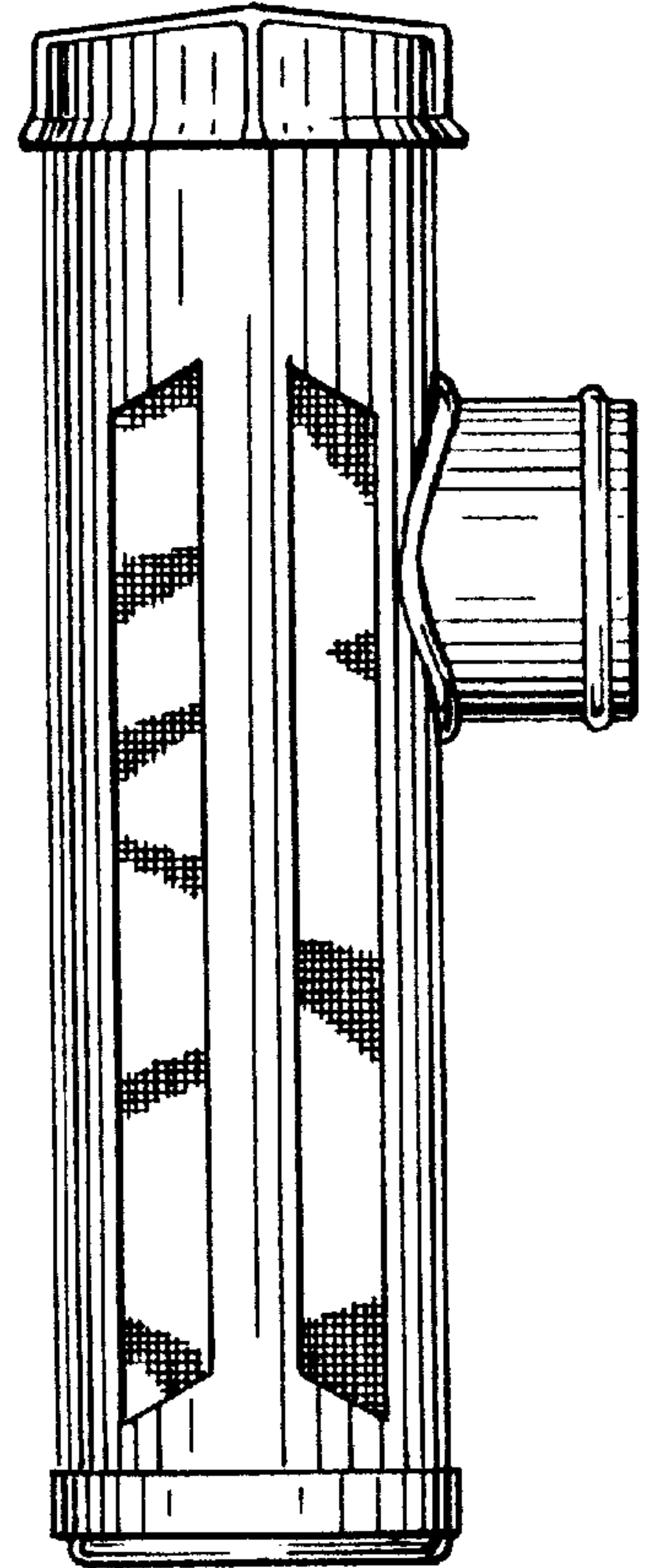


FIG. 6

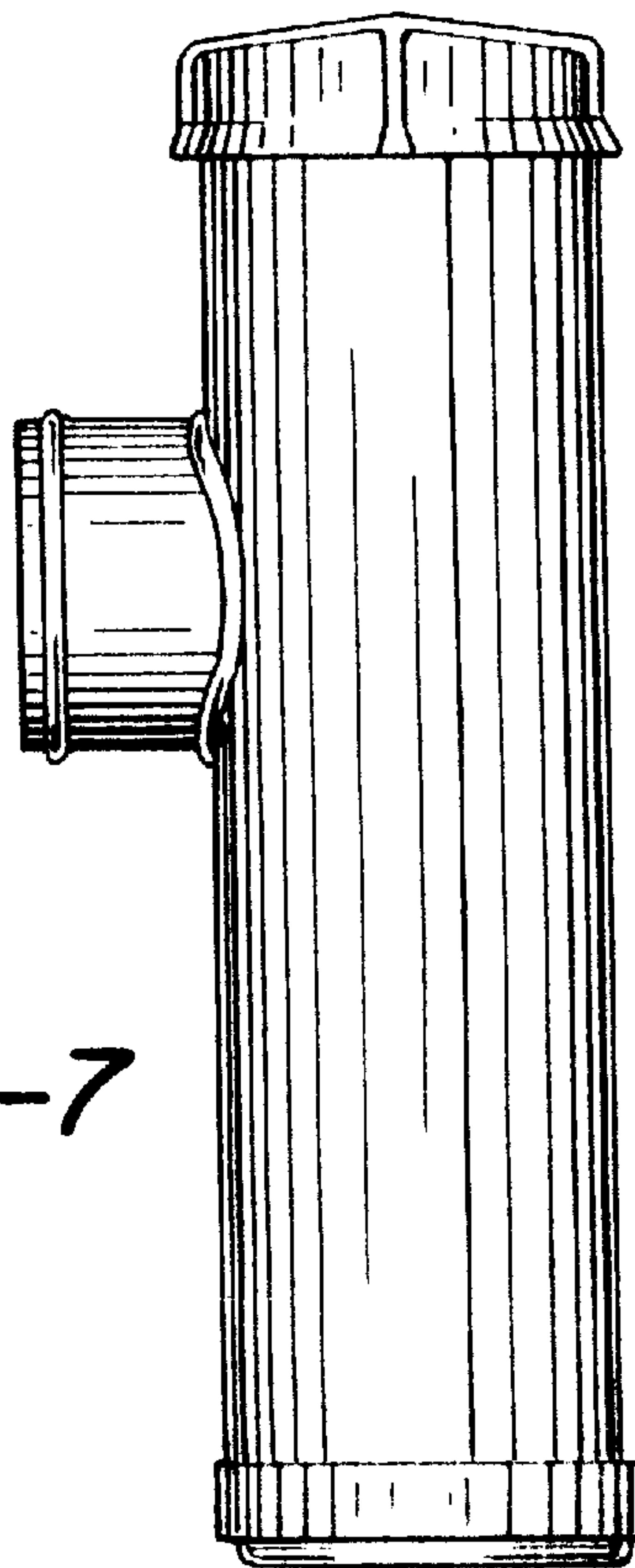


FIG. 7