



US00D402023S

United States Patent [19]

[11] **Patent Number: Des. 402,023**

Thallemer et al.

[45] **Date of Patent: **Dec. 1, 1998**

[54] FILTER REGULATOR UNIT

OTHER PUBLICATIONS

[75] Inventors: **Axel Thallemer; Jan Kleffmann**, both of Esslingen, Germany

Pneumatic Filters, Regulators, Lubricators and Pre-Assembled Air Service Modules, Festo Corporation Catalog, pp. 1, 3-5, 18, 21-25, 27 and 29-30; 1990.

[73] Assignee: **Festo AG & Co.**, Esslingen, Germany

Pneumatic Filters, Regulators, Lubricators Economical, High-Flow "D-Series", Festo Corporation Catalog, pp. 1-3 and 5-20; 1996.

[**] Term: **14 Years**

[21] Appl. No.: **77,482**

Primary Examiner—Lisa Lichtenstein
Attorney, Agent, or Firm—Hoffmann & Baron, LLP

[22] Filed: **Oct. 2, 1997**

[57] CLAIM

[30] Foreign Application Priority Data

The ornamental design of a filter regulator unit, as shown and described.

Apr. 8, 1997 [XH] Hague Agreement DM/039796

[51] **LOC (6) Cl.** **23-04**

DESCRIPTION

[52] **U.S. Cl.** **D23/365; D23/355**

FIG. 1 is a front perspective view of a filter regulator unit showing our new design;

[58] **Field of Search** D23/365, 355; 55/DIG. 17, 270, 274; 137/557, 549

FIG. 2 is a front elevational view thereof;

[56] References Cited

U.S. PATENT DOCUMENTS

D. 295,674	5/1988	Ogasawara et al.	D23/365
D. 331,961	12/1992	Ridolfi et al.	D23/365
3,980,457	9/1976	Smith .		
4,234,014	11/1980	Knight .		
5,067,856	11/1991	Sisk	55/274

FIG. 3 is a back elevational view thereof opposite to that shown in FIG. 2;

FIG. 4 is a side elevational view thereof, the opposite side being a mirror image thereof;

FIG. 5 is a top plan view thereof; and,

FIG. 6 is a bottom plan view thereof.

1 Claim, 5 Drawing Sheets

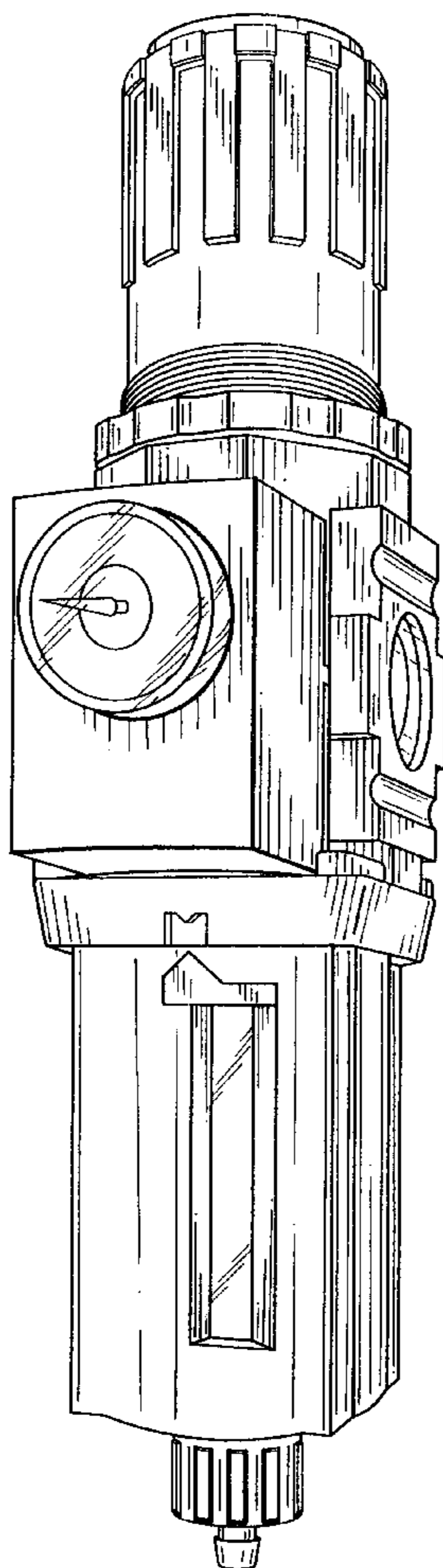


FIG-1

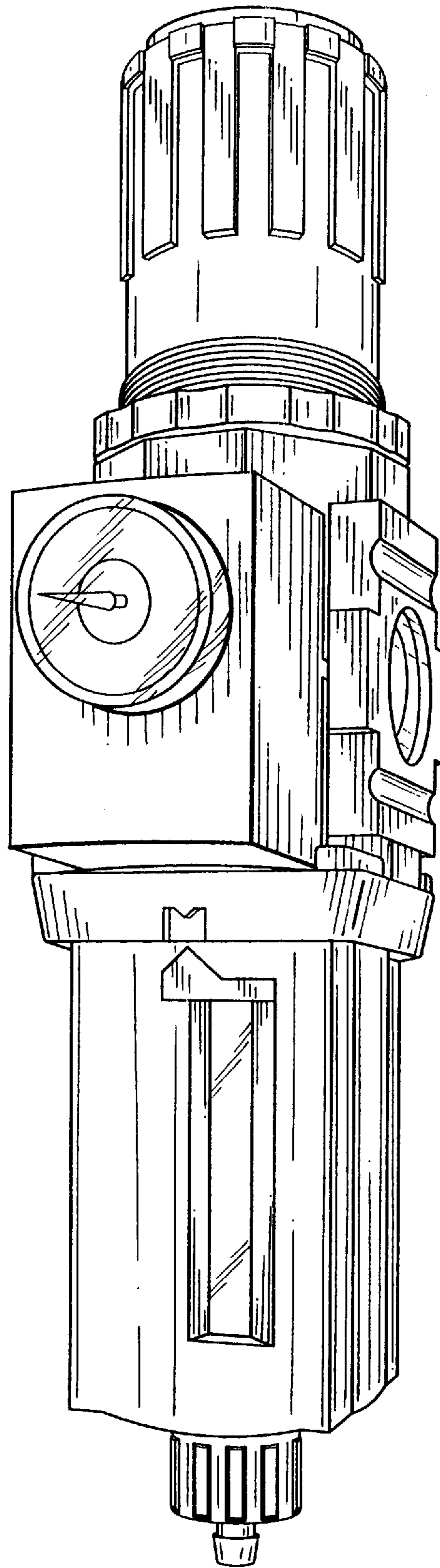


FIG-2

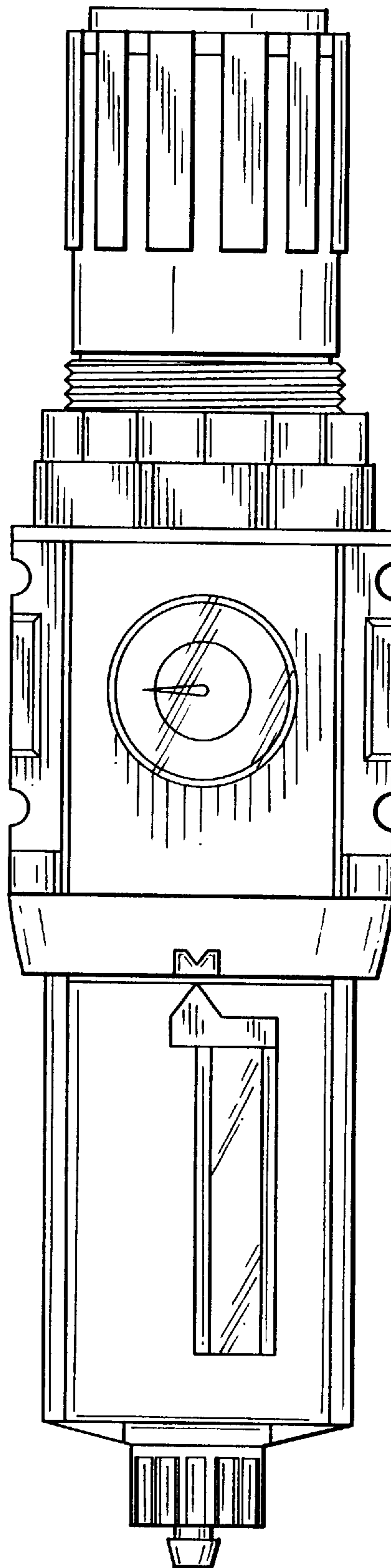


FIG-3

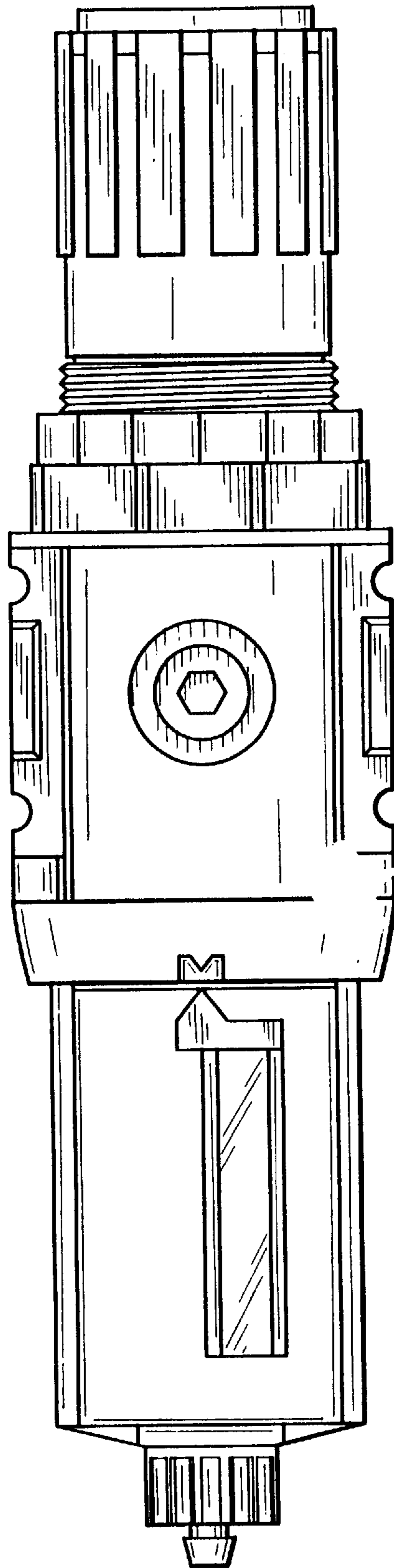


FIG-4

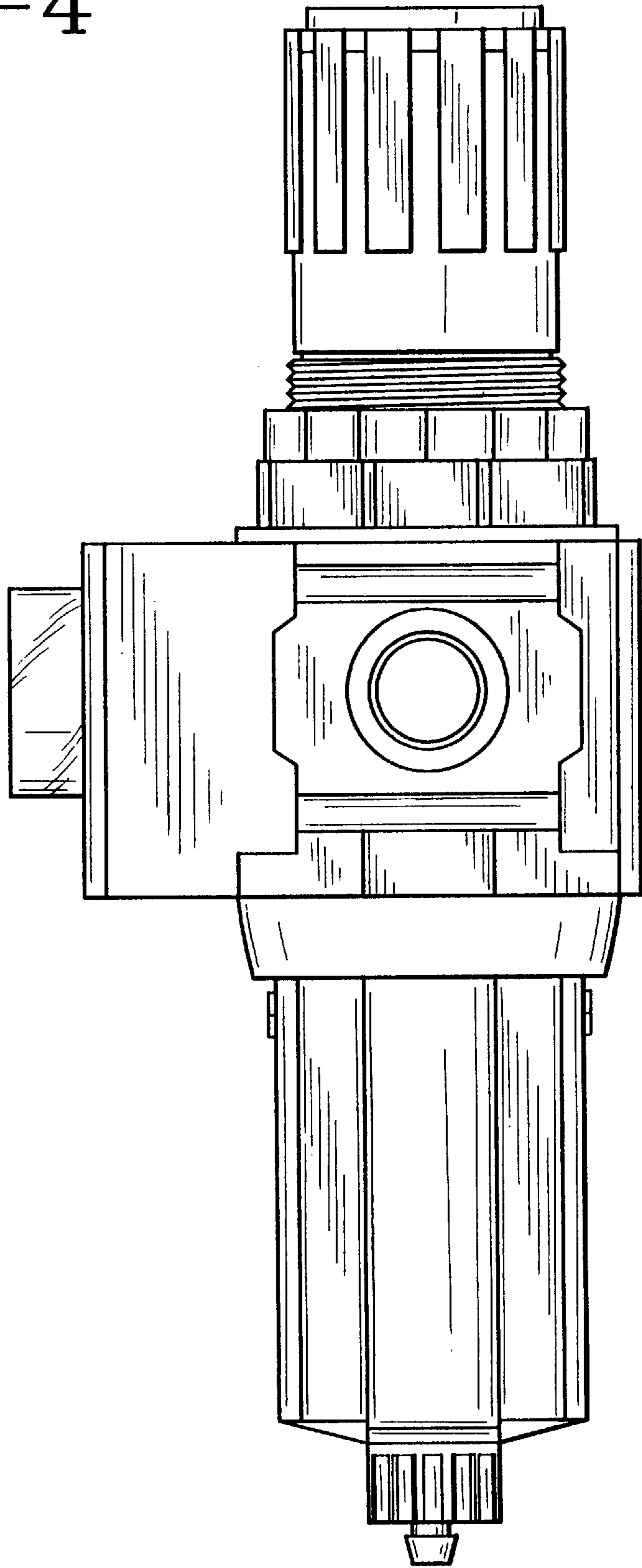


FIG-5

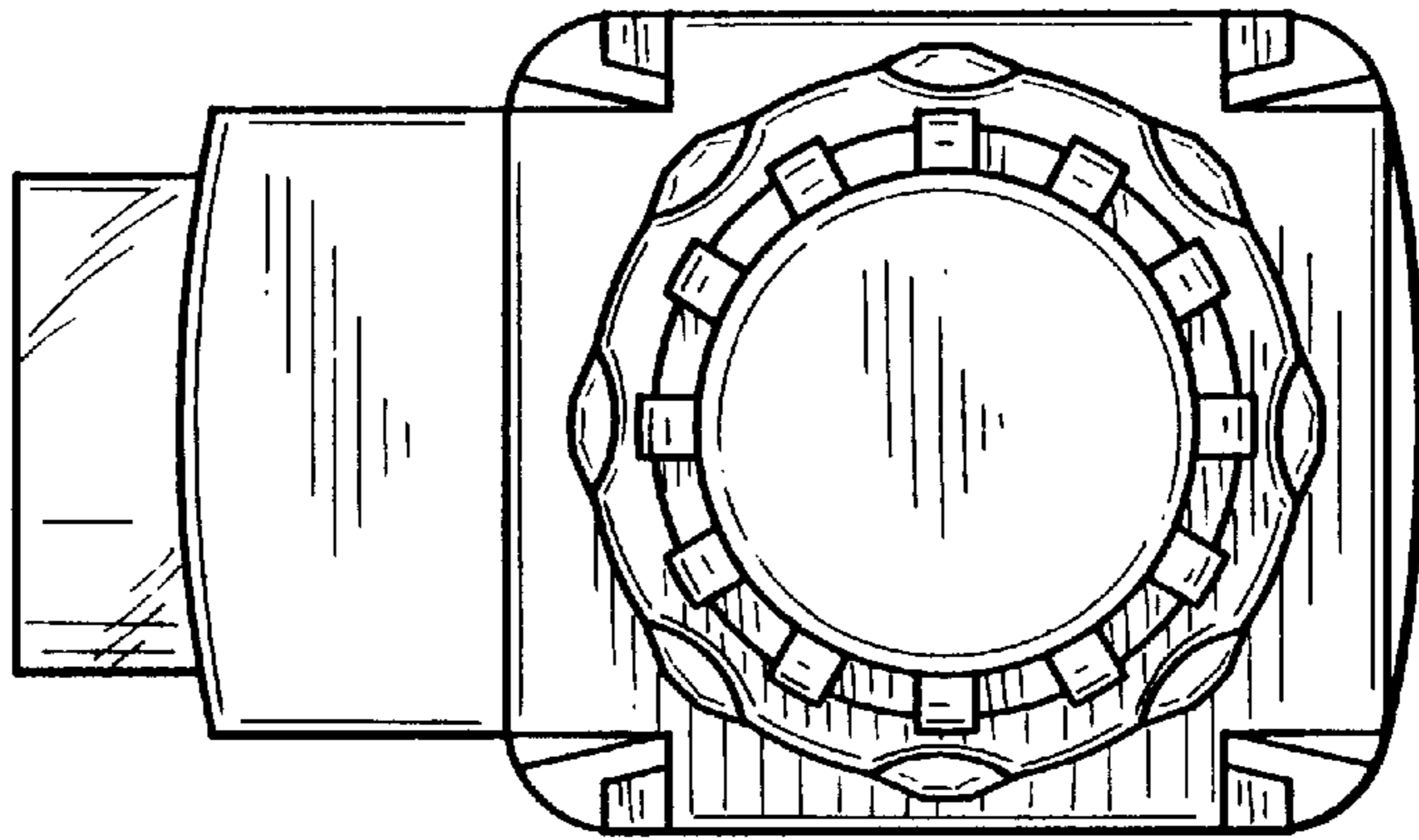


FIG-6

