



US00D402022S

United States Patent [19]

Termeer et al.

[11] Patent Number: **Des. 402,022**

[45] Date of Patent: ****Dec. 1, 1998**

[54] **AIR PURIFIER**

D. 338,521 8/1993 Ganor D23/364

[75] Inventors: **James David Termeer; Jill Marie Hunt**, both of Chicago, Ill.; **Masao Tsuji**, Germantown, Tenn.

Primary Examiner—Lisa Lichtenstein
Attorney, Agent, or Firm—Baker, Donelson, Bearman & Caldwell

[73] Assignee: **Hunter Fan Company**, Memphis, Tenn.

[57] CLAIM

[**] Term: **14 Years**

The ornamental design for an air purifier, as shown.

[21] Appl. No.: **80,829**

DESCRIPTION

[22] Filed: **Dec. 17, 1997**

[51] **LOC (6) Cl.** **23-04**

[52] **U.S. Cl.** **D23/364; D23/355**

[58] **Field of Search** **D23/364, 365, D23/355, 370; 55/356; 96/97; 422/120, 122**

FIG. 1 is a perspective view of an air purifier showing our new design;

FIG. 2 is a front view of the air purifier shown in FIG. 1;

FIG. 3 is a right-side view thereof;

FIG. 4 is a rear view thereof;

FIG. 5 is a left-side view thereof;

FIG. 6 is a top view thereof; and,

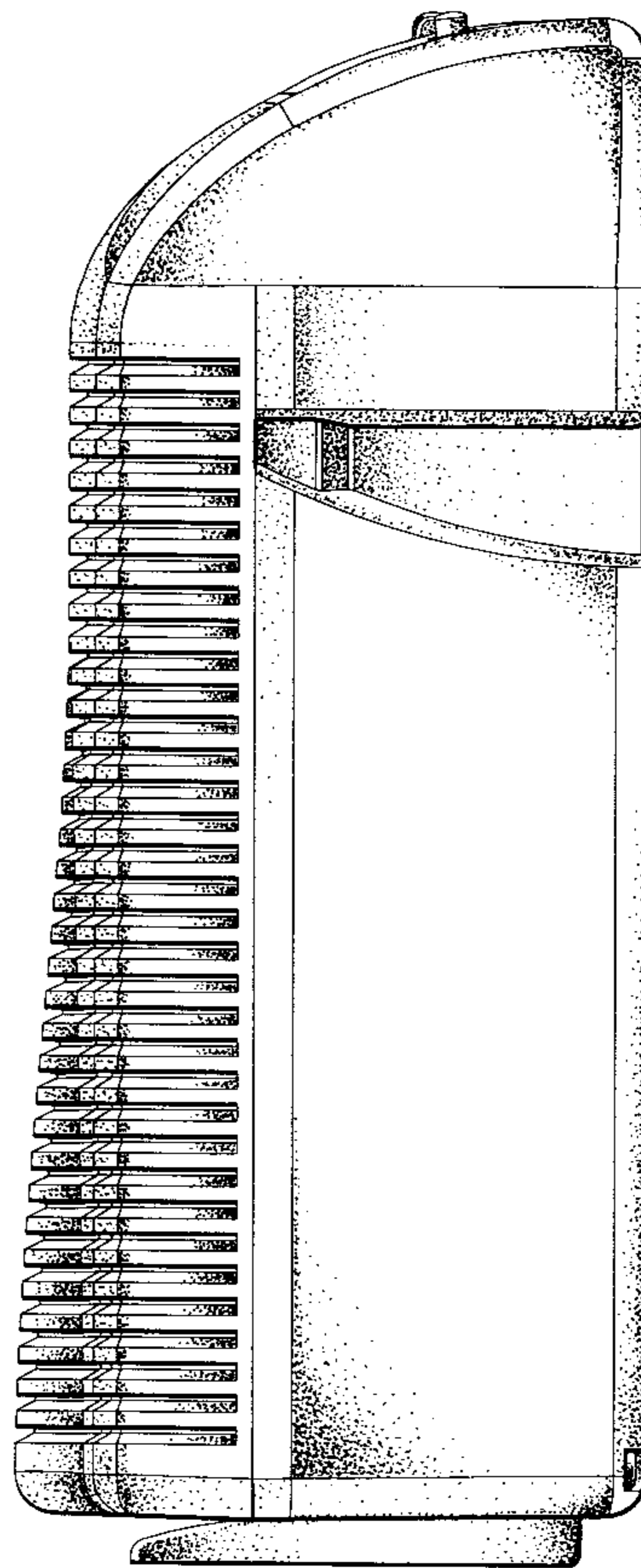
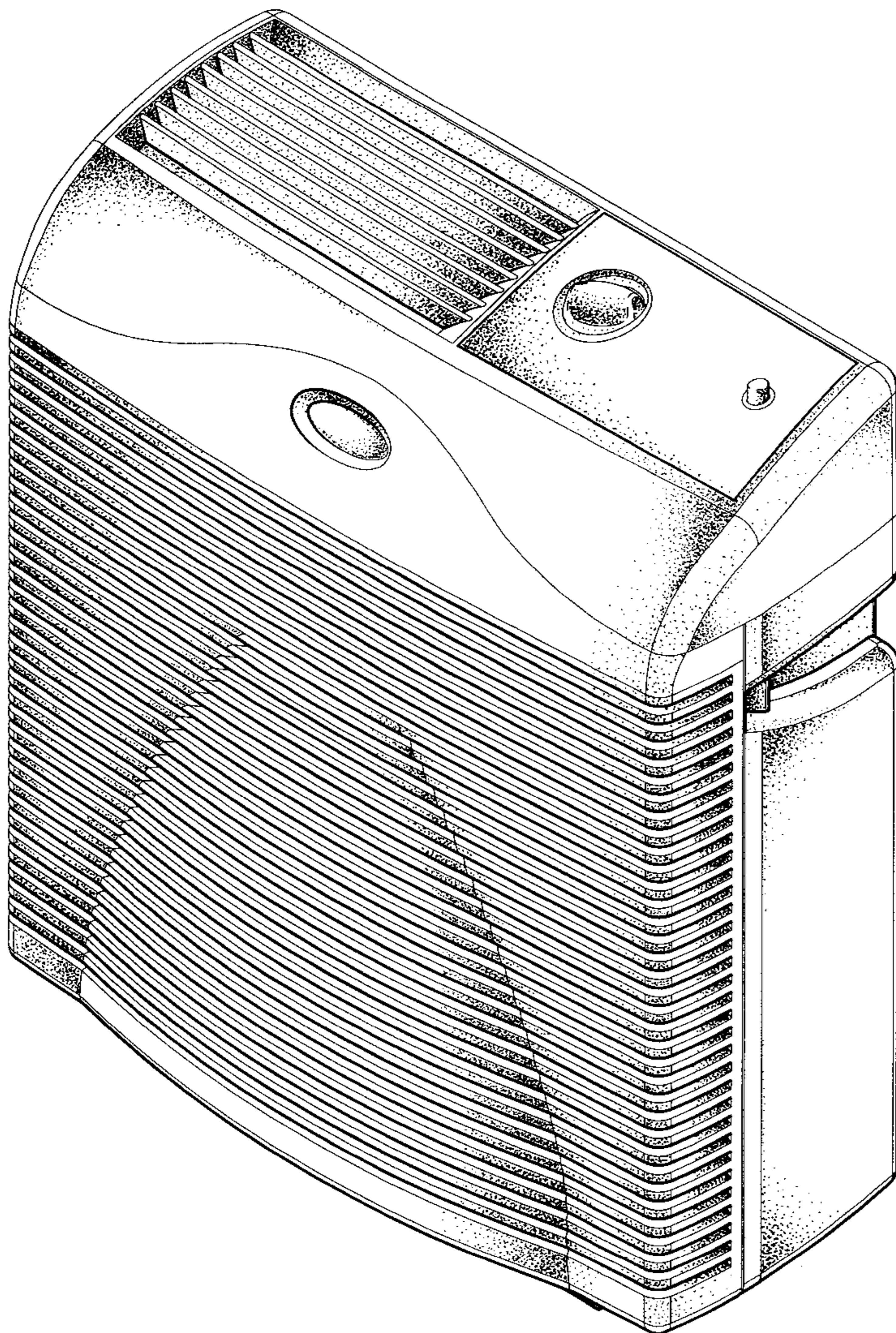
FIG. 7 is a bottom view thereof.

[56] References Cited

U.S. PATENT DOCUMENTS

D. 323,210 1/1992 Wortham D23/364

1 Claim, 7 Drawing Sheets



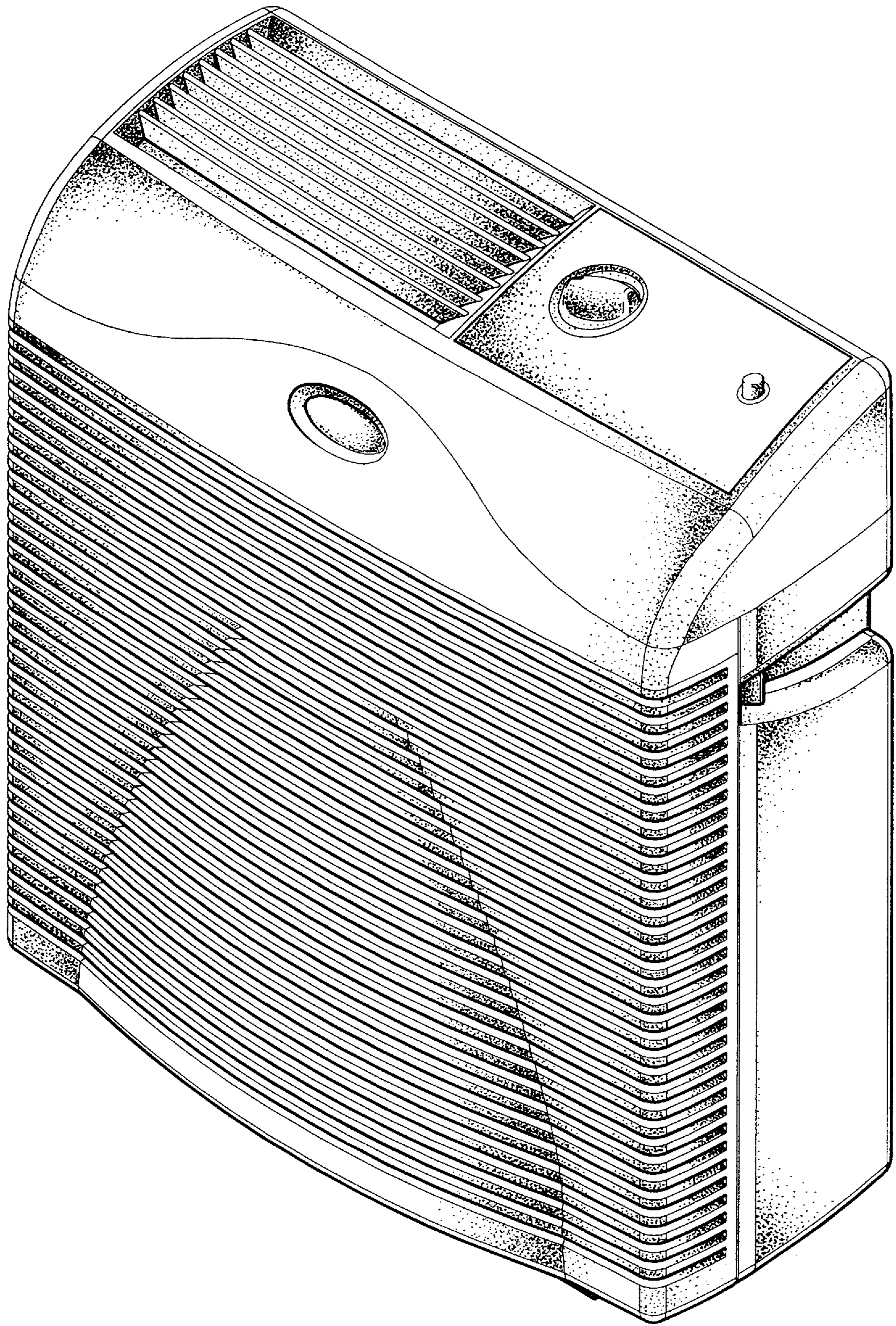


FIG 1

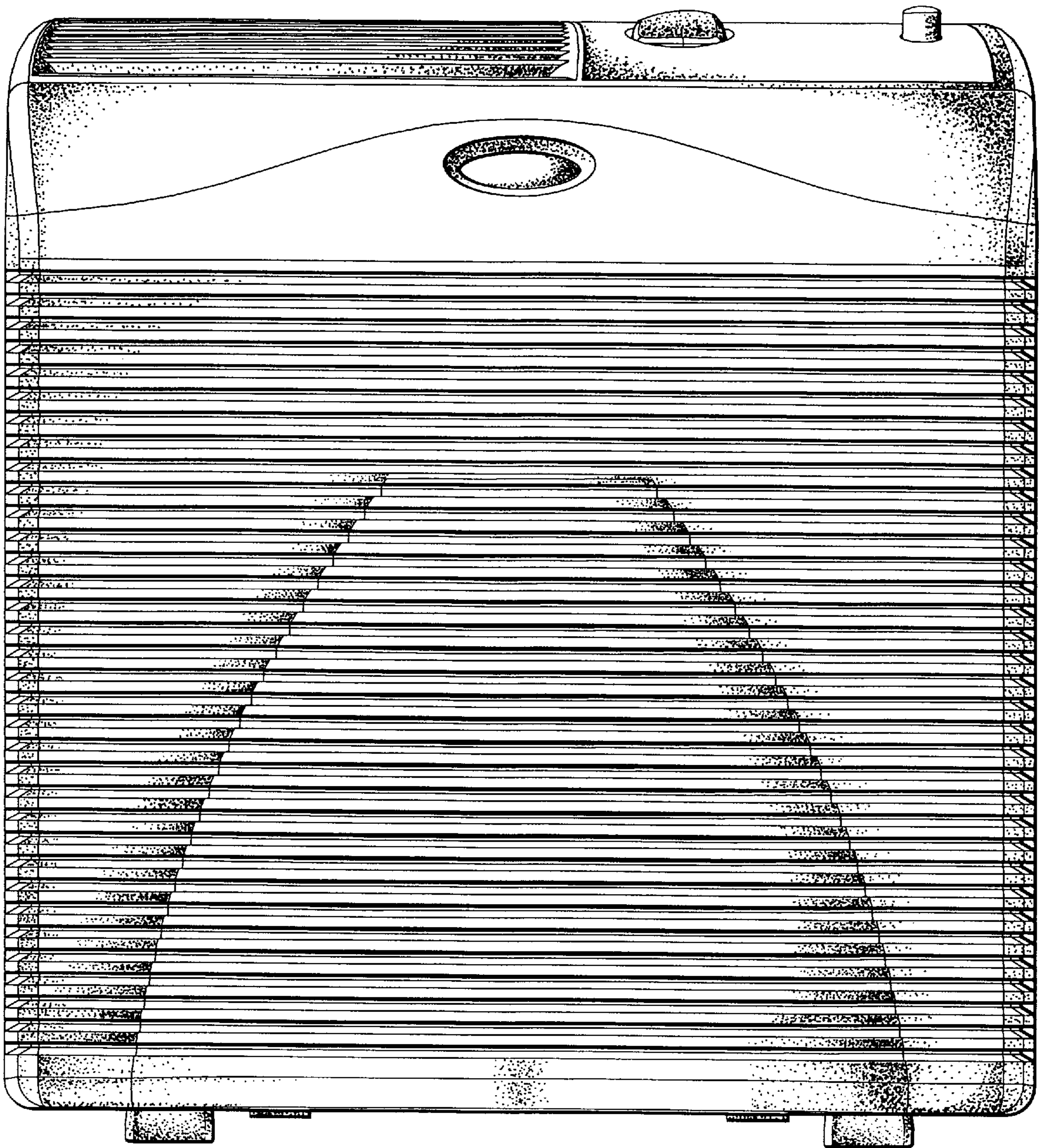


FIG 2

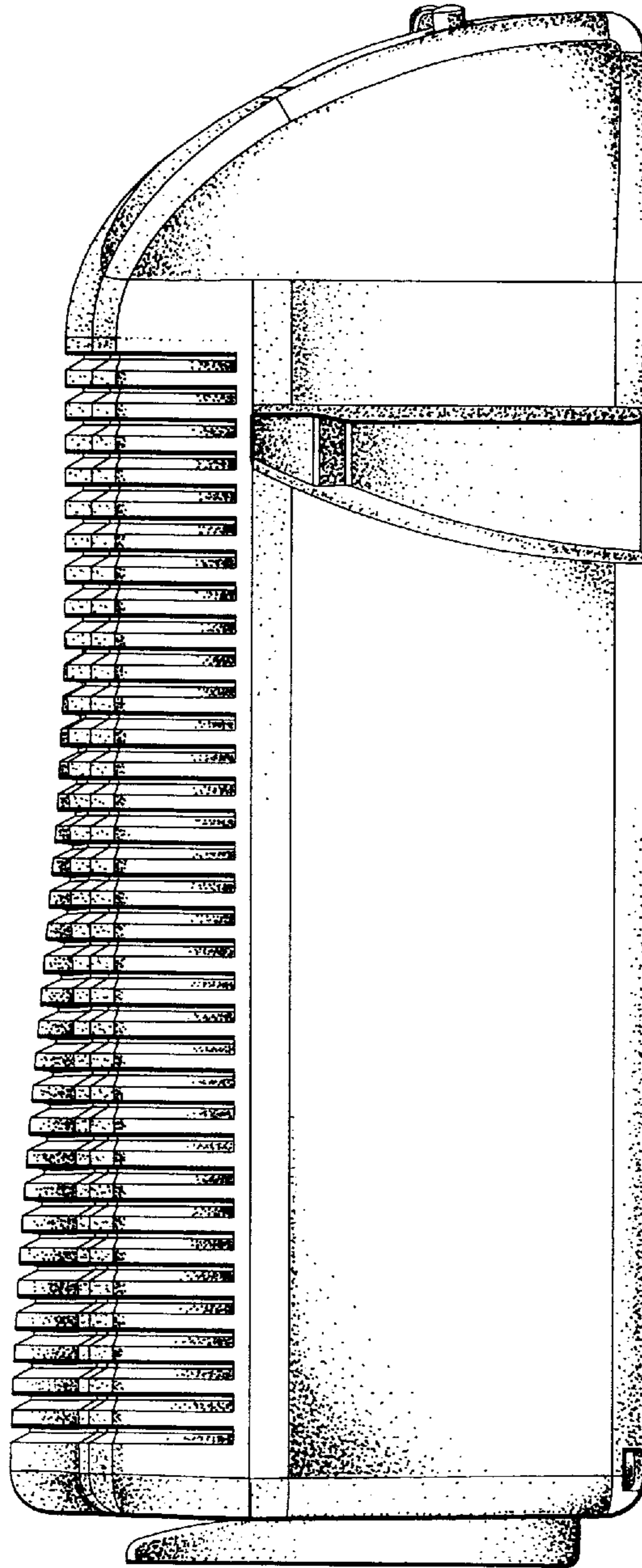


FIG 3

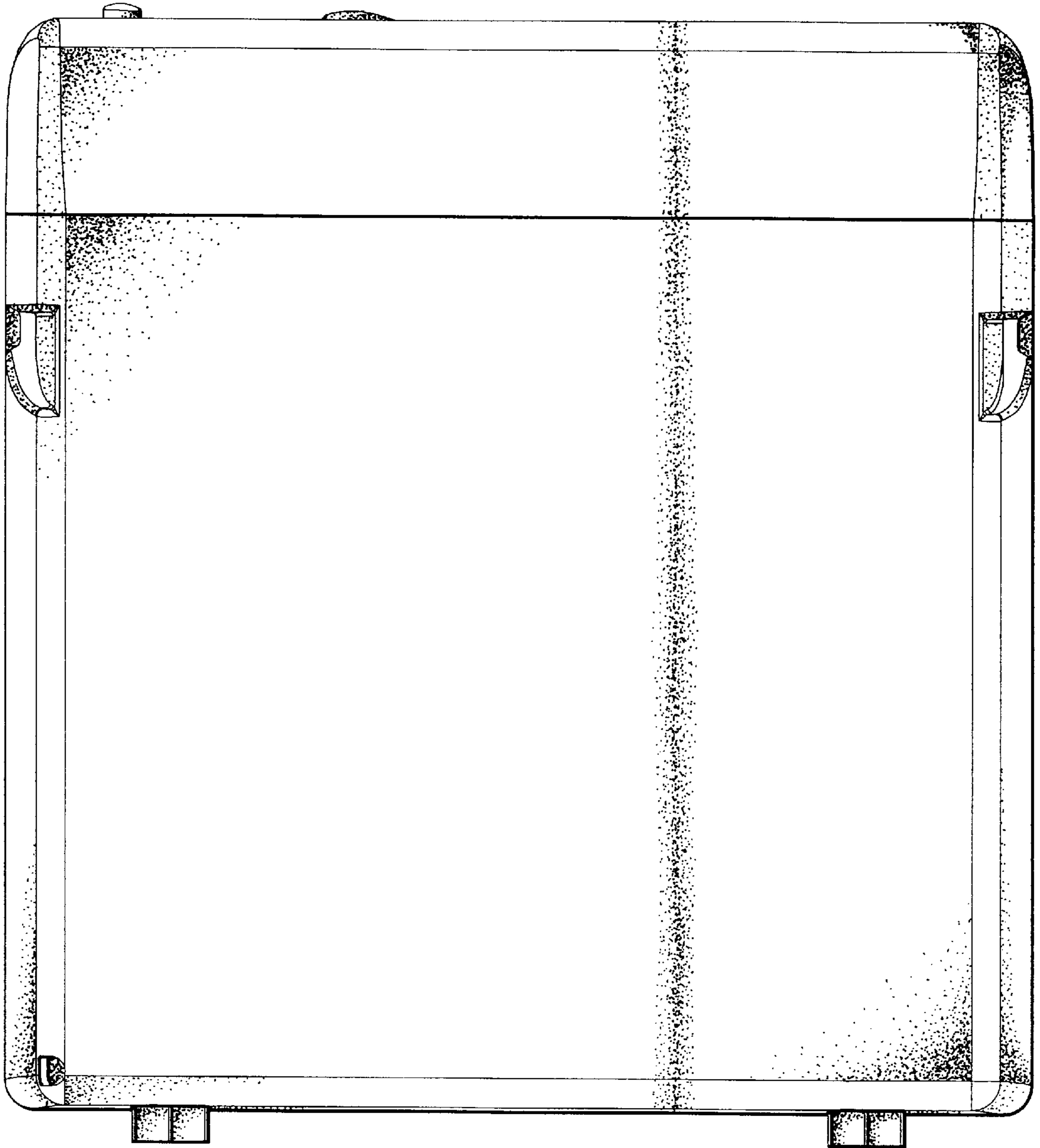


FIG 4

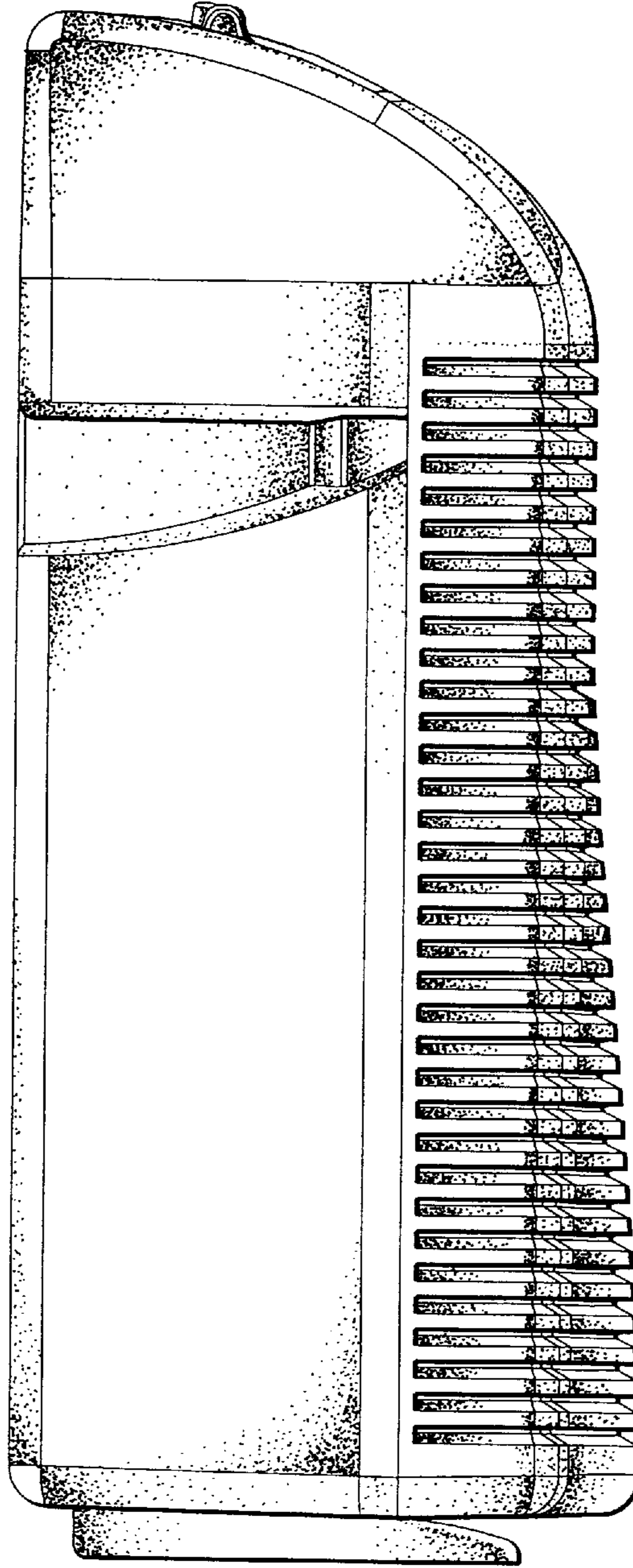


FIG 5

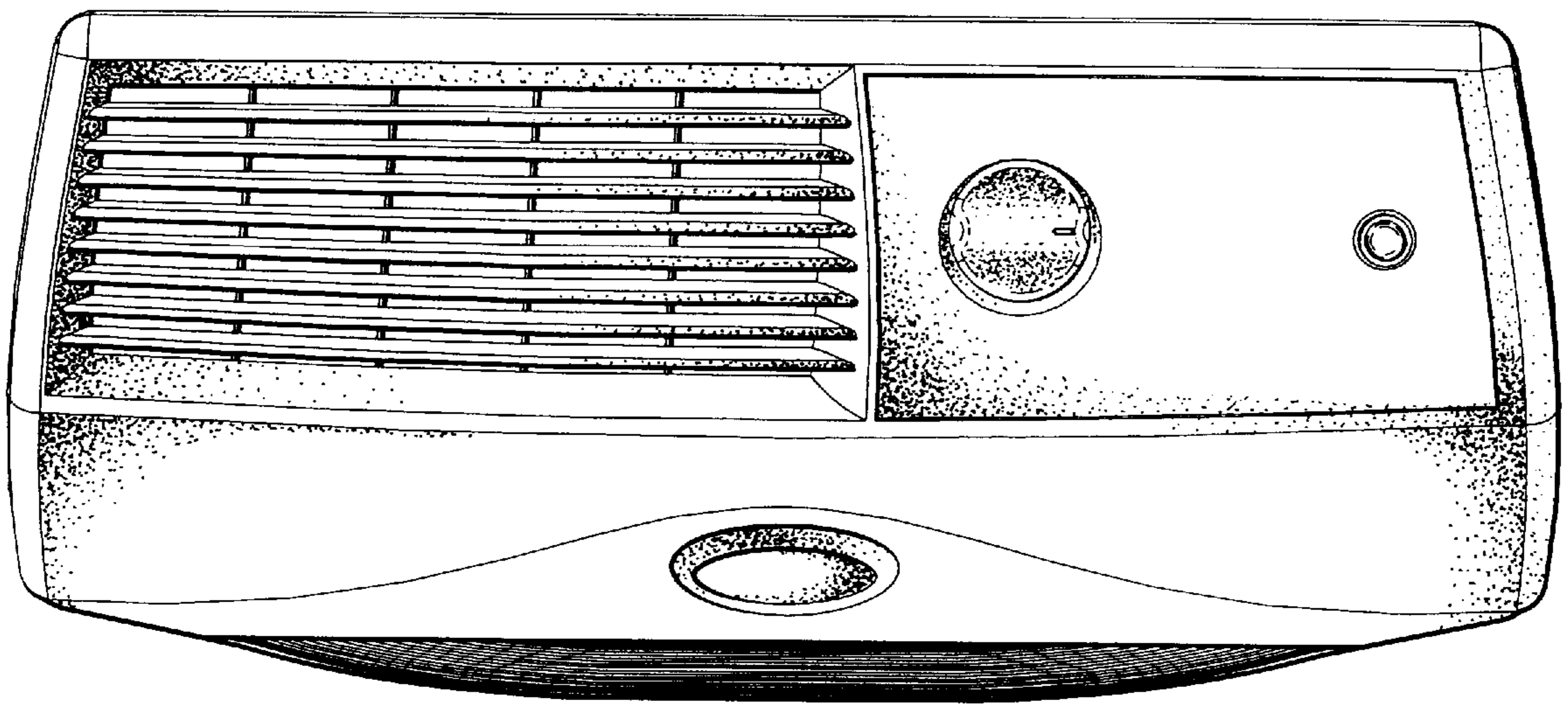


FIG 6

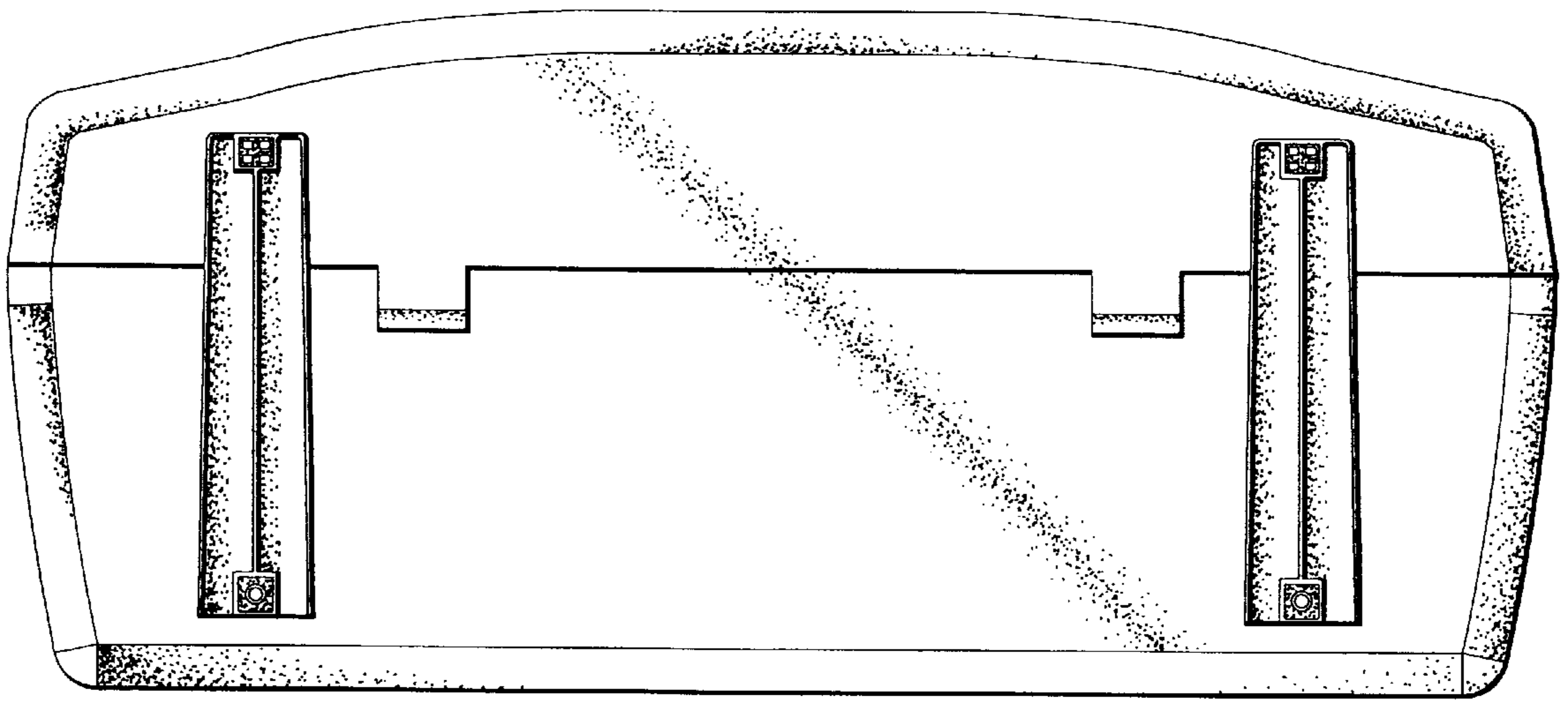


FIG 7