



US00D402017S

United States Patent [19] Council

[11] **Patent Number:** **Des. 402,017**

[45] **Date of Patent:** ****Dec. 1, 1998**

[54] **TOILET TANK AND SEAT COVER**

4,153,956 5/1979 Richter, Sr. et al. .
4,649,575 3/1987 Blair et al. 4/245.5

[76] Inventor: **Joycelyn Council**, 809 Wynthollow
Trace Apt. #6, Norcross, Ga. 30071

Primary Examiner—Louis S. Zarfes
Assistant Examiner—Eric Watterson

[**] Term: **14 Years**

[57] **CLAIM**

[21] Appl. No.: **63,426**

The ornamental design for a toilet tank and seat cover, as shown.

[22] Filed: **Dec. 9, 1996**

DESCRIPTION

[51] **LOC (6) Cl.** **23-02**

[52] **U.S. Cl.** **D23/311**

[58] **Field of Search** D23/303-313,
D23/295; 4/300, 329, 353, 661, 245.4,
245.8, 244.2, 245.9

FIG. 1 is a front plan view of the toilet tank and seat cover of the present invention;

FIG. 2 is a rear plan view of the toilet tank and seat cover of FIG. 1;

FIG. 3 is a right side plan view of the toilet tank and seat cover of FIG. 1;

FIG. 4 is a left side plan view of the toilet tank and seat cover of FIG. 1;

FIG. 5 is a top plan view of the toilet tank and seat cover of FIG. 1; and,

FIG. 6 is a bottom plan view of the toilet tank and seat cover of FIG. 1.

[56] **References Cited**

U.S. PATENT DOCUMENTS

D. 83,588	3/1931	Weaver .	
D. 232,886	9/1974	Korol .	
D. 319,098	8/1991	Kohler, Jr. et al.	D23/313
D. 351,483	10/1994	McCormick	D23/313
3,181,176	5/1965	Nagy et al. .	
4,085,470	4/1978	Roberts .	

1 Claim, 4 Drawing Sheets

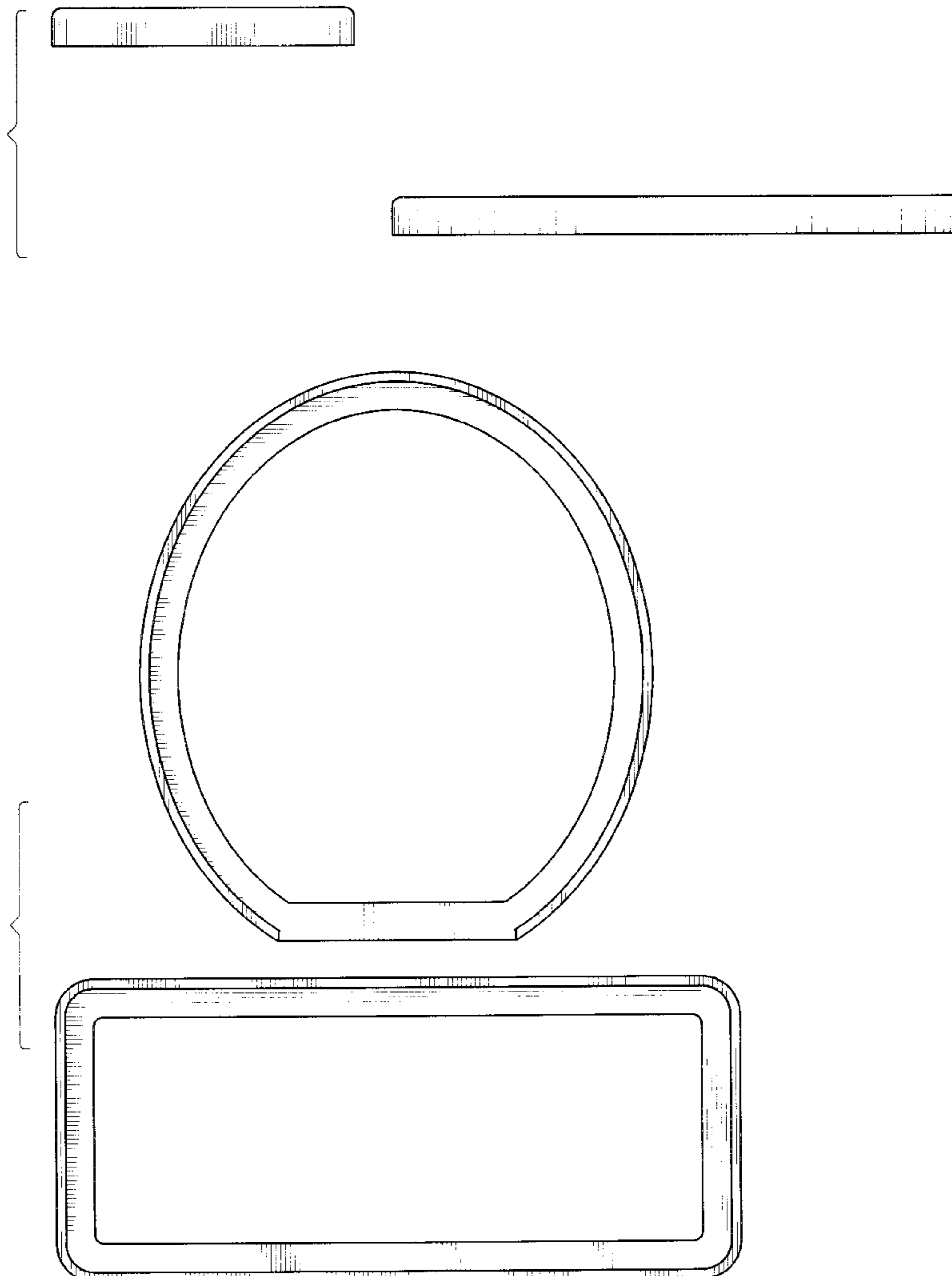


FIG. 1

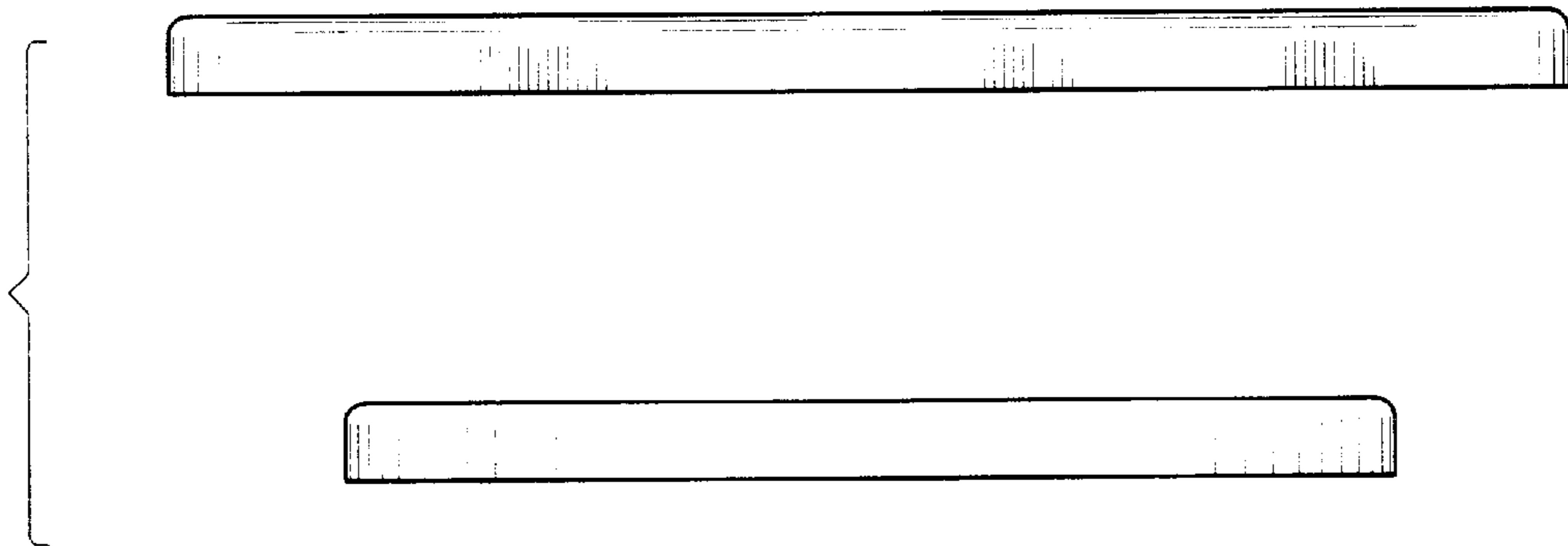


FIG. 2

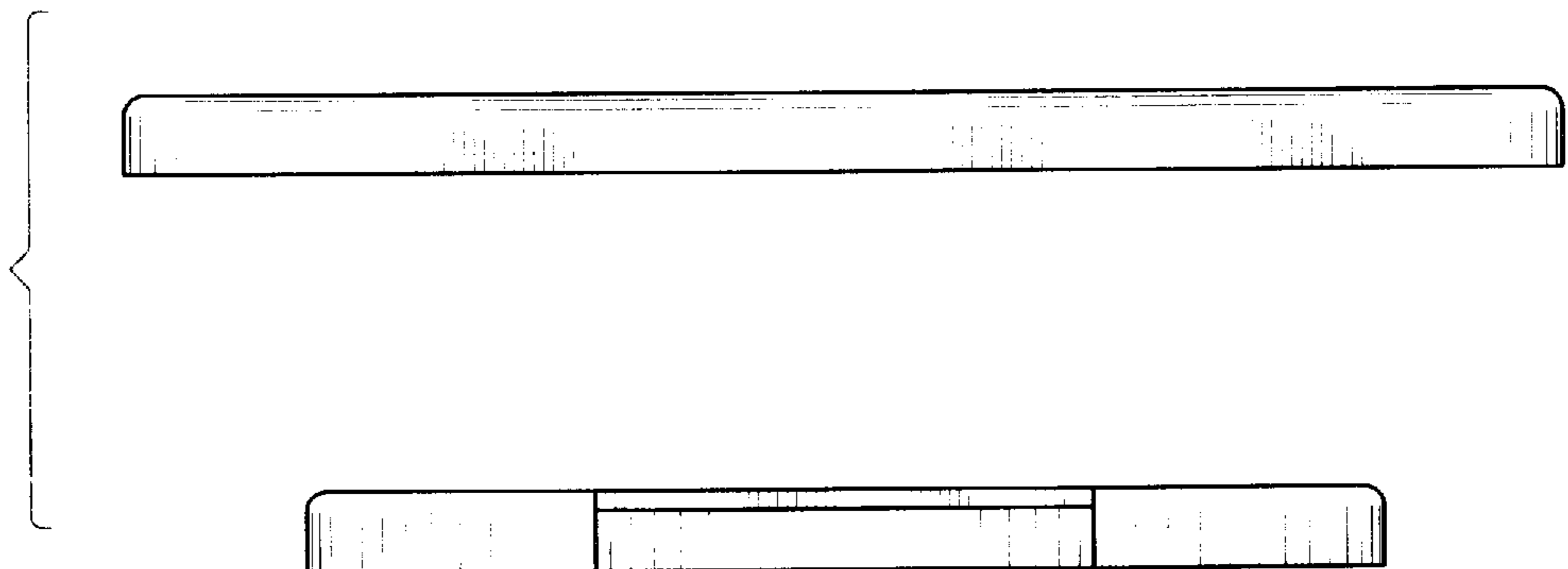


FIG. 3

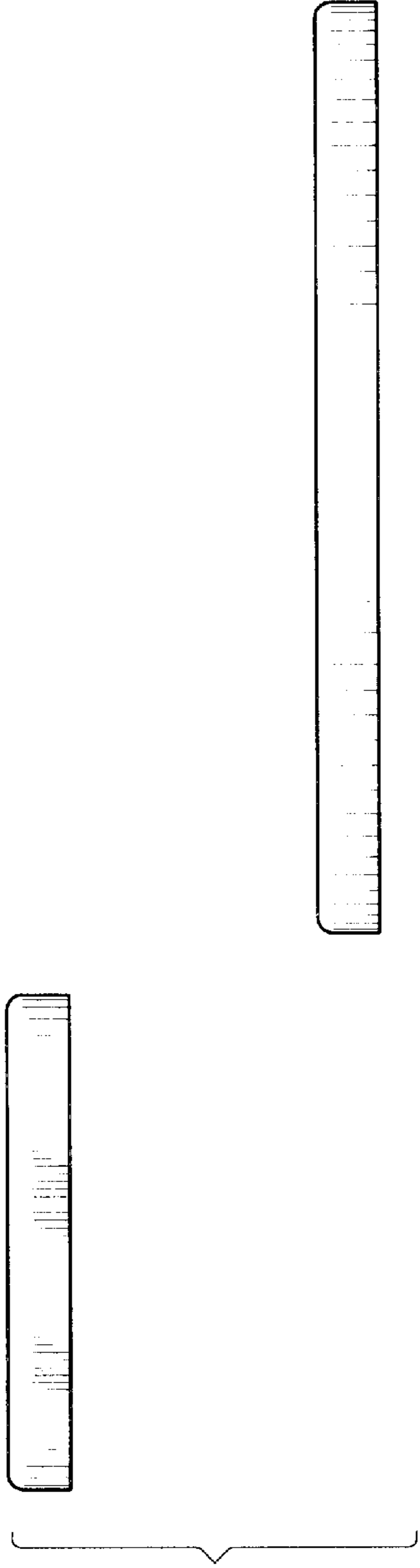


FIG. 4

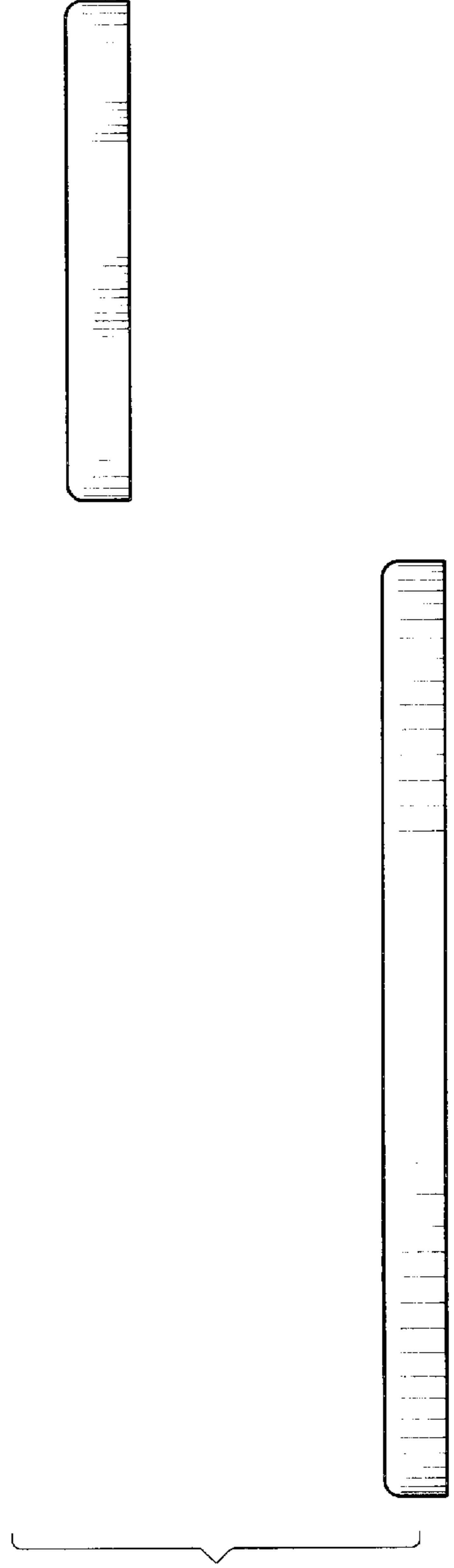


FIG. 5

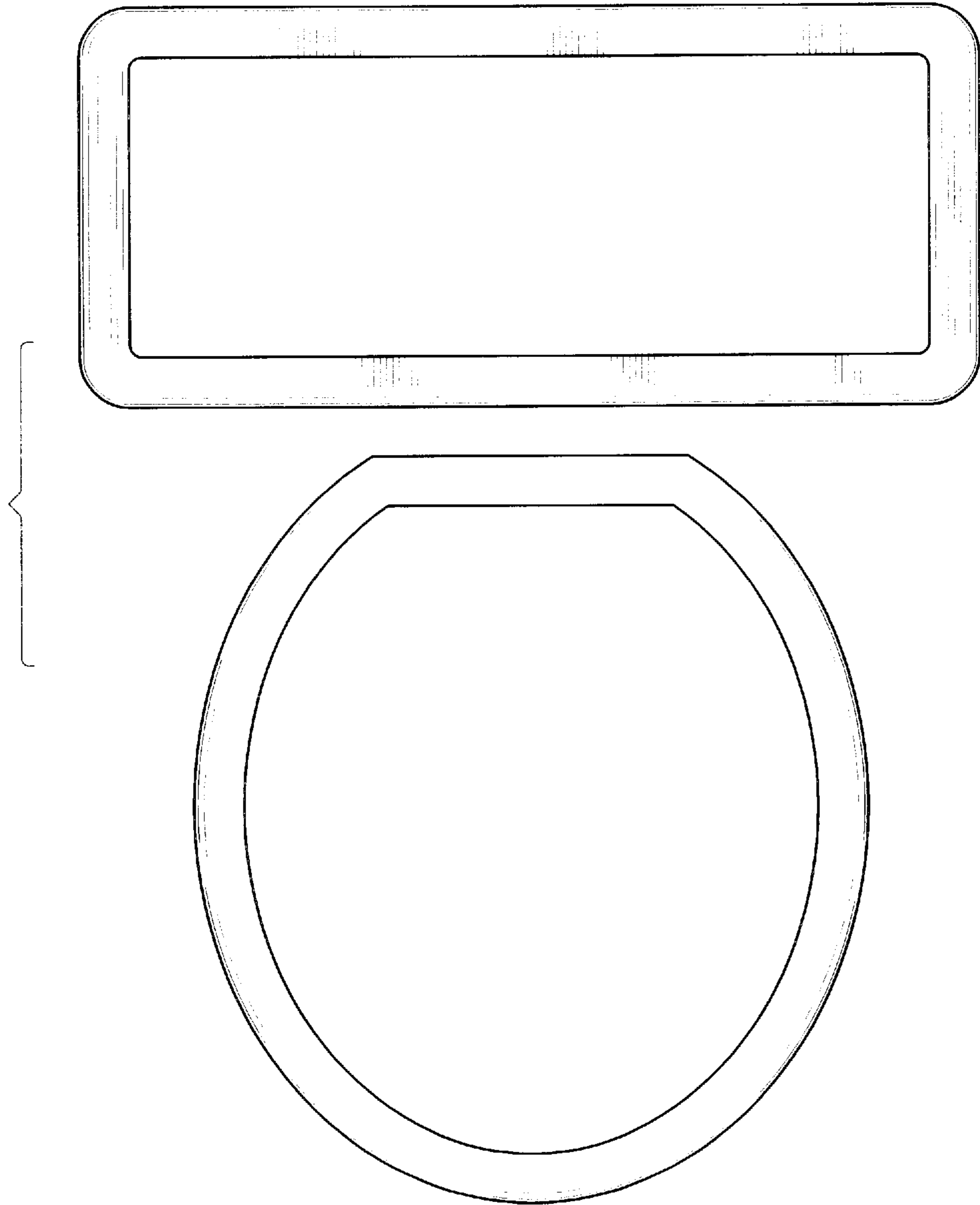


FIG. 6

