



US00D402014S

United States Patent [19] Chang

[11] **Patent Number: Des. 402,014**

[45] **Date of Patent: **Dec. 1, 1998**

[54] **KITCHEN SINK**

D. 353,879 12/1994 Houser, II D23/290
D. 353,880 12/1994 Houser, II D23/290

[76] Inventor: **Zong Ta Chang**, No. 11, Kung Yeh 7th Road, Kuang Yin Industrial Zone, Tao Yuan, Taiwan

Primary Examiner—Louis S. Zarfes
Assistant Examiner—Eric Watterson
Attorney, Agent, or Firm—David & Raymond; Raymond Y. Chan

[**] Term: **14 Years**

[21] Appl. No.: **82,547**

[57] **CLAIM**

[22] Filed: **Jan. 26, 1998**

The ornamental design for a kitchen sink, as shown.

[51] **LOC (6) Cl. 23-01**

DESCRIPTION

[52] **U.S. Cl. D23/290**

FIG. 1 is a perspective view showing my new design;
FIG. 2 is a front view thereof;
FIG. 3 is a left end view thereof;
FIG. 4 is a right end view thereof;
FIG. 5 is a top view thereof;
FIG. 6 is a bottom view thereof; and,
FIG. 7 is a rear view thereof.

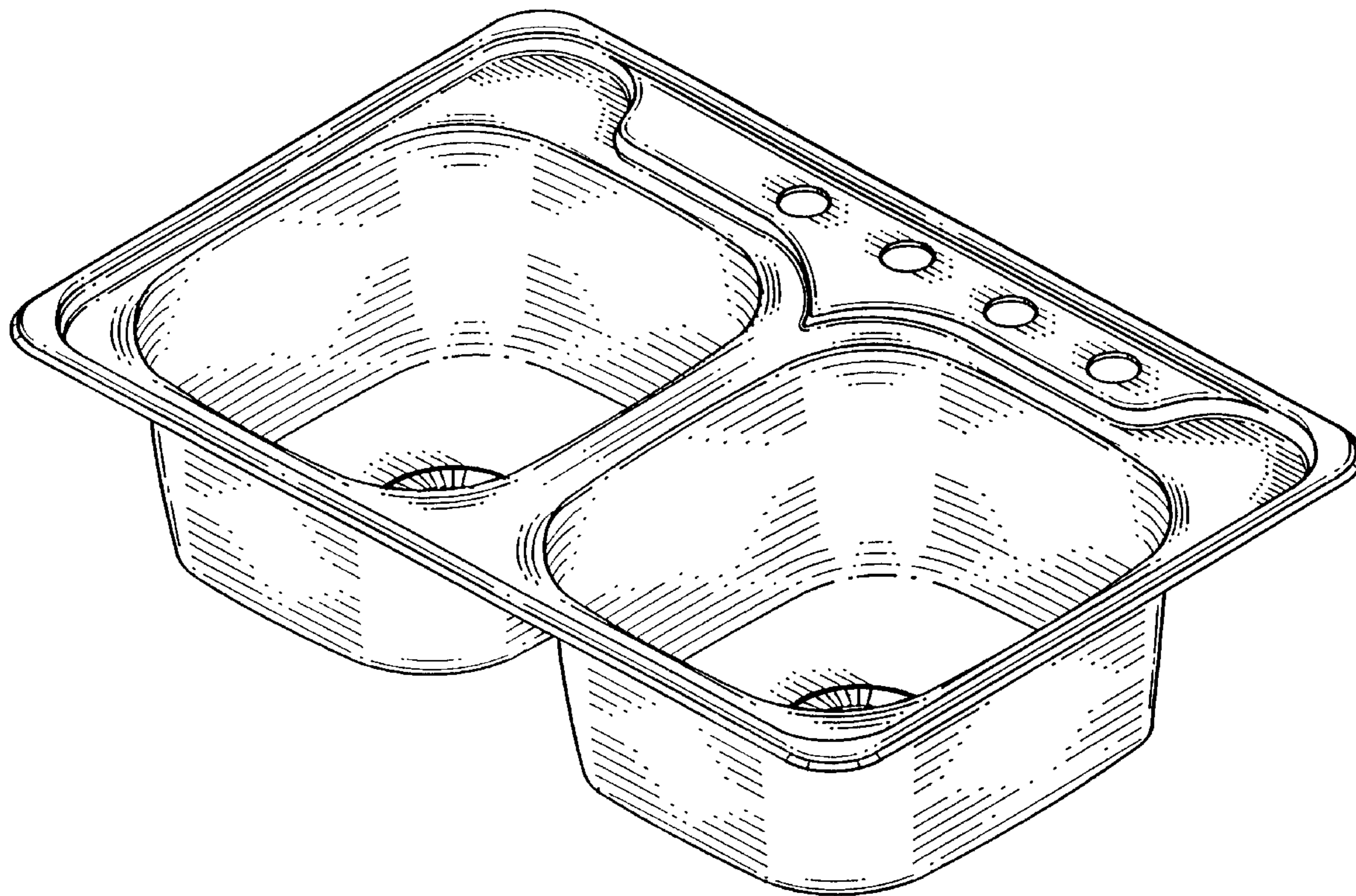
[58] **Field of Search** D23/284-293.1;
4/619, 624, 626, 638-650

[56] **References Cited**

U.S. PATENT DOCUMENTS

D. 324,908 3/1992 Fouter et al. D23/290
D. 351,221 10/1994 Berge et al. D23/290

1 Claim, 7 Drawing Sheets



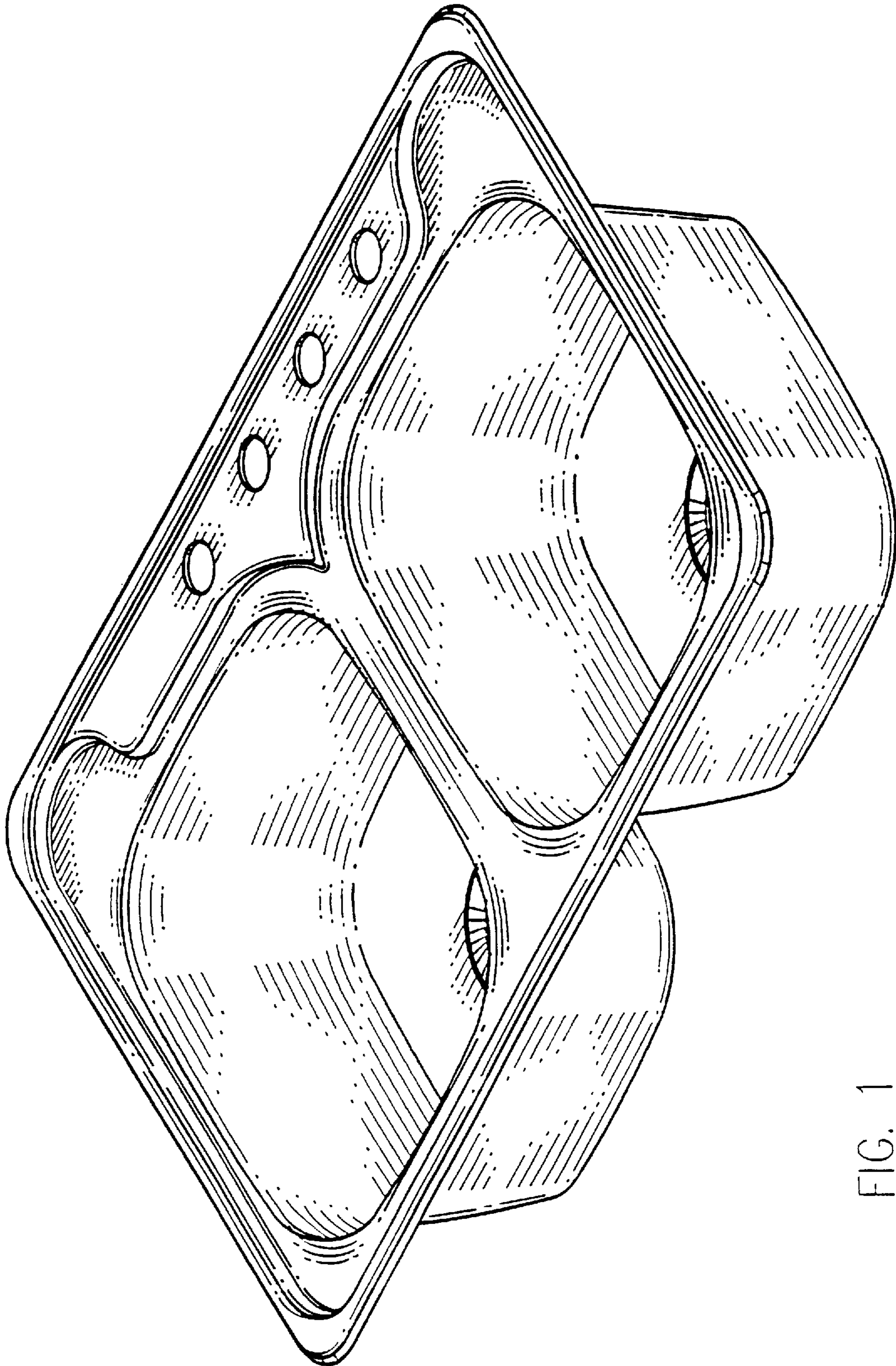


FIG. 1

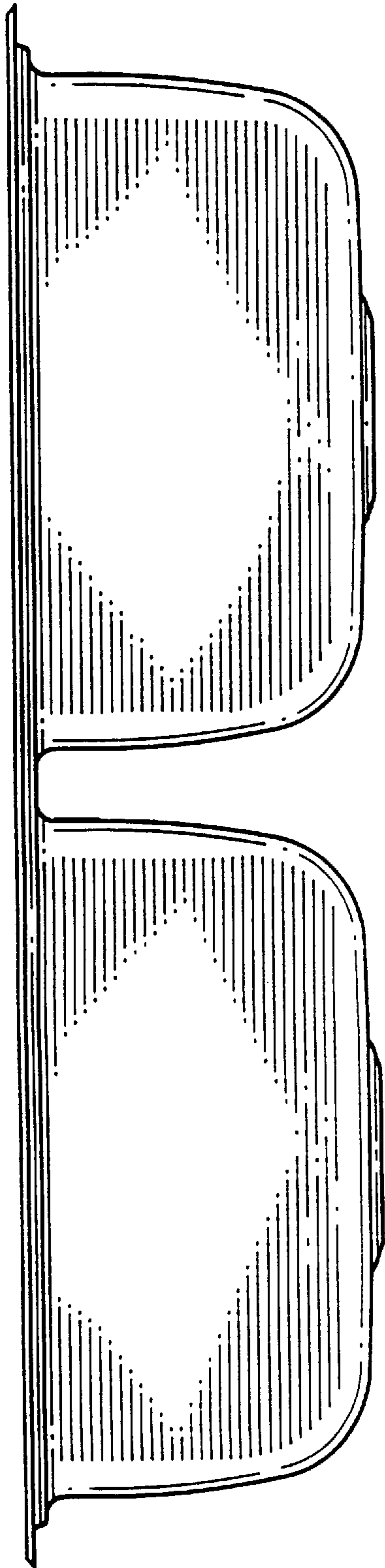


FIG. 2

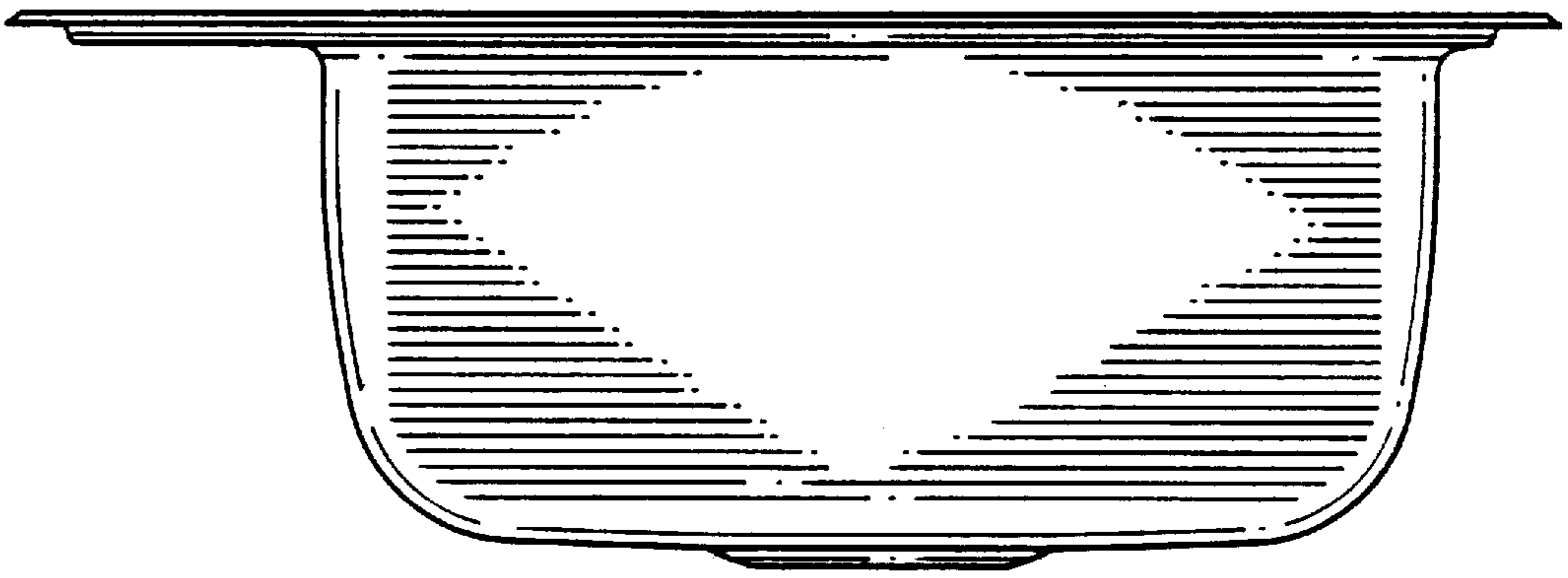


FIG. 3

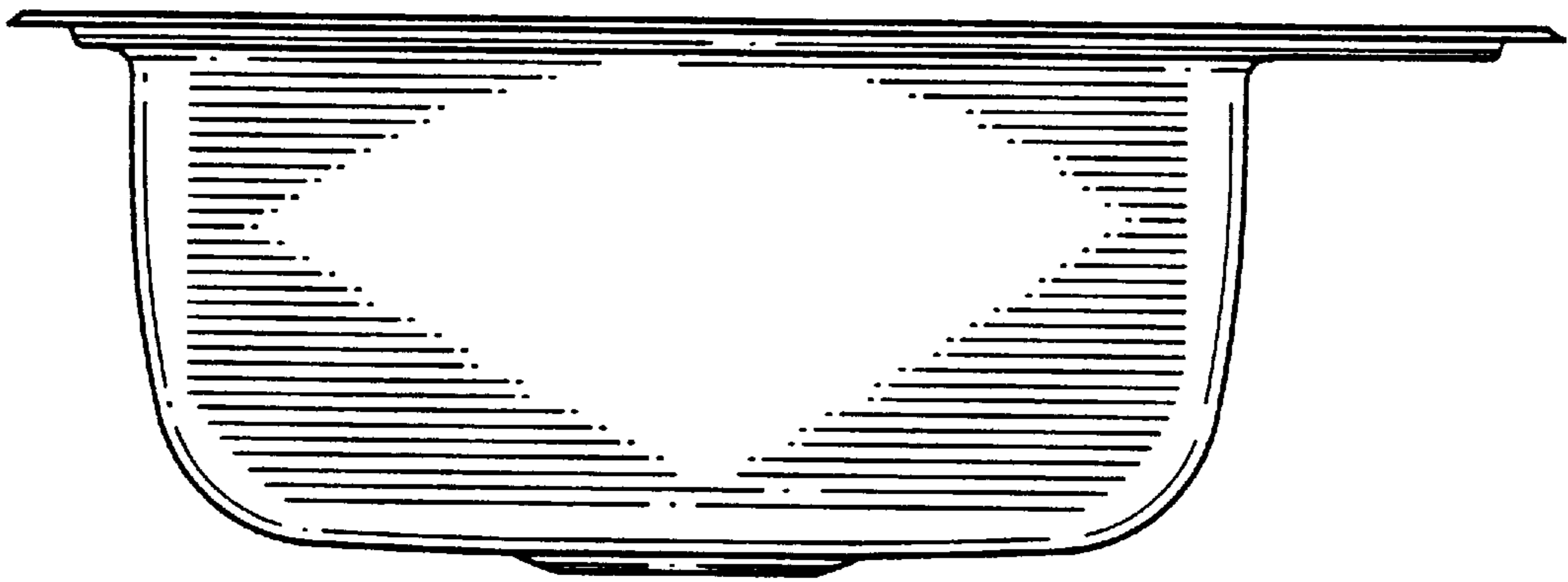


FIG. 4

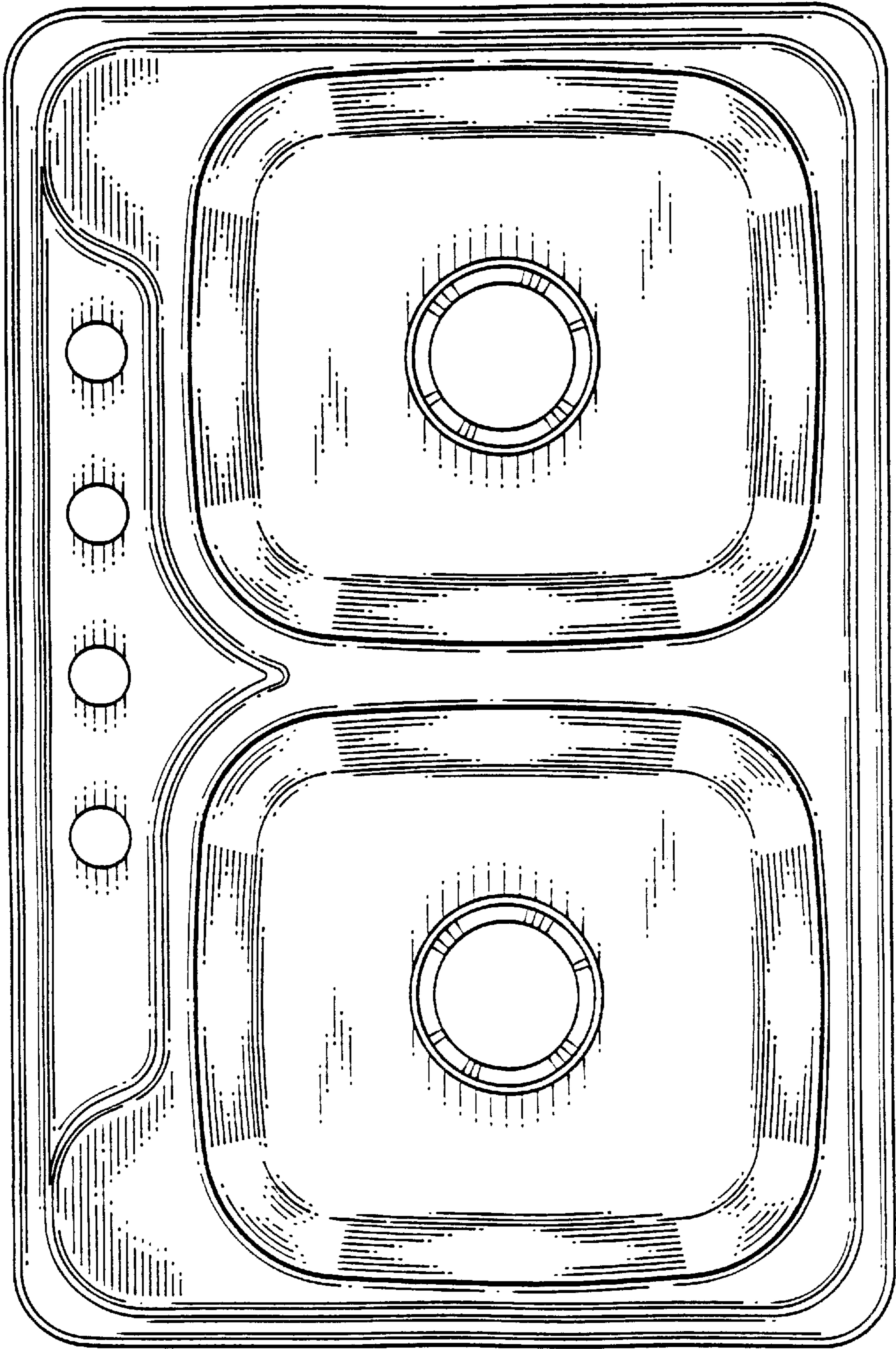


FIG. 5

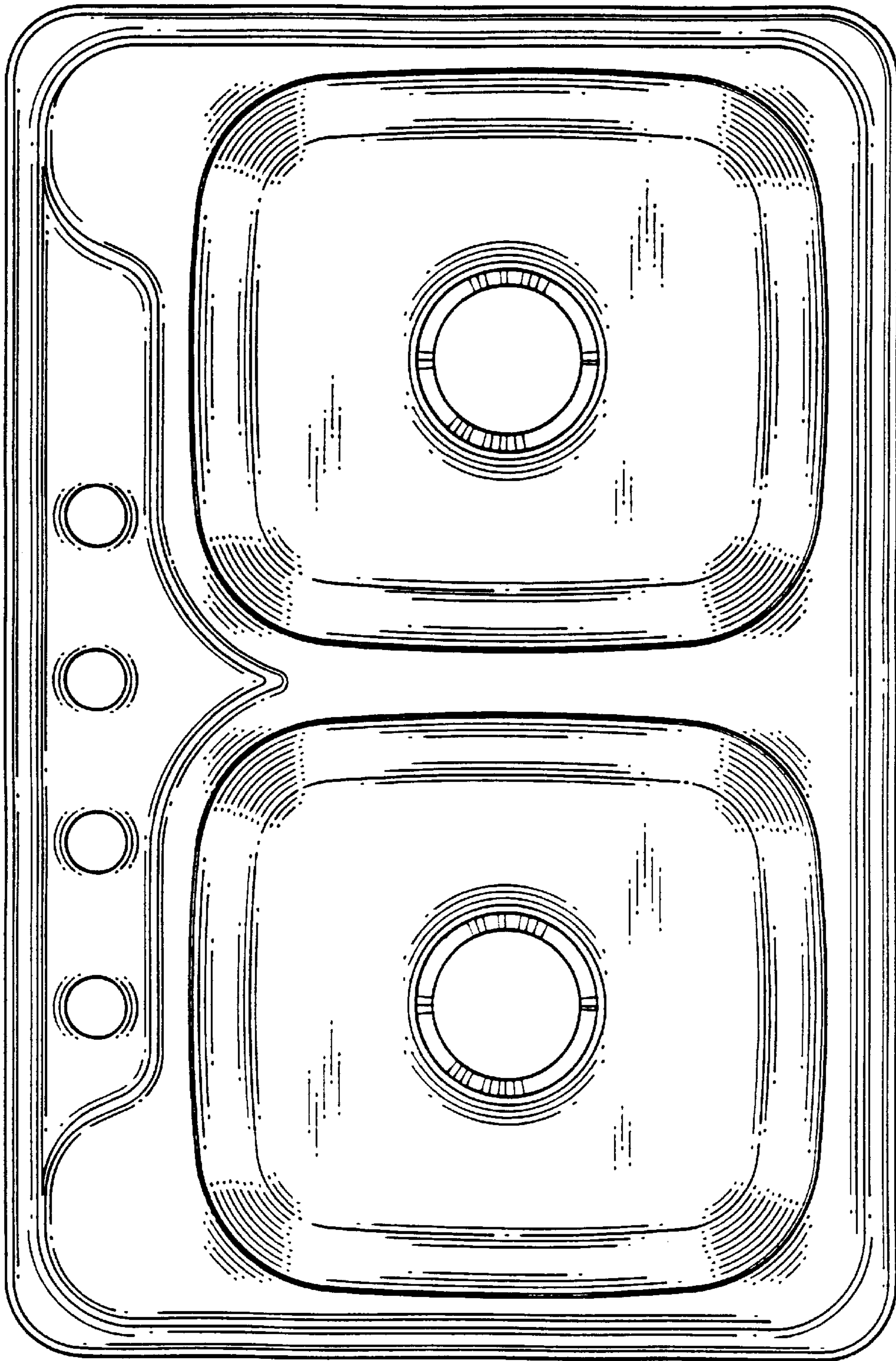


FIG. 6

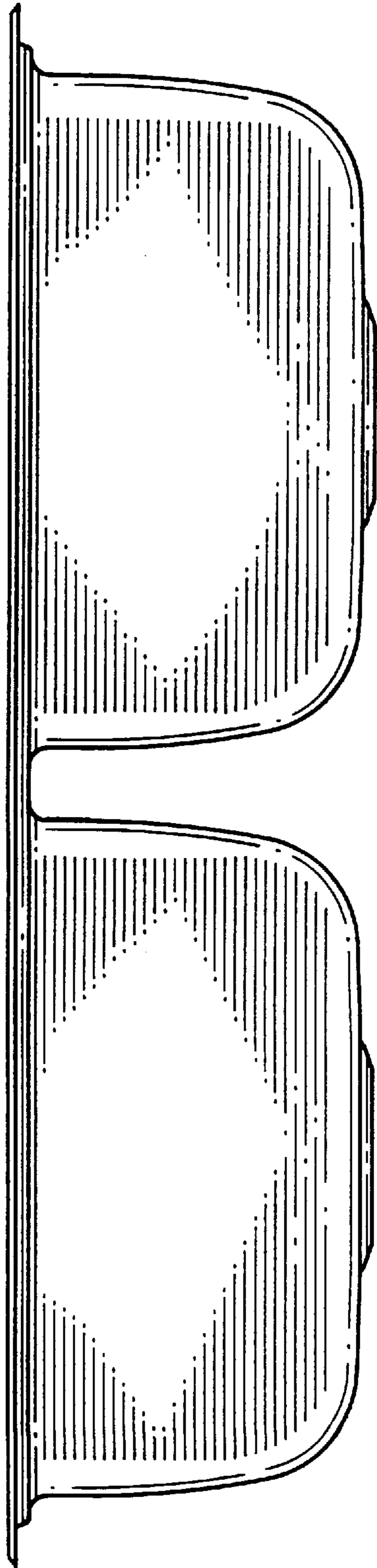


FIG. 7