



US00D402013S

United States Patent [19]
Saffrey

[11] **Patent Number:** **Des. 402,013**

[45] **Date of Patent:** ****Dec. 1, 1998**

[54] **UTILITY OUTLET TO CONNECT A
CORRUGATED SEWER AND DRAIN PIPE
TO A CATCH BASIN**

[75] Inventor: **Gordon Saffrey**, Perris, Calif.

[73] Assignee: **National Diversified Sales, Inc.**,
Lindsay, Calif.

[**] Term: **14 Years**

[21] Appl. No.: **79,939**

[22] Filed: **Nov. 15, 1997**

[51] **LOC (6) Cl.** **23-01**

[52] **U.S. Cl.** **D23/263**

[58] **Field of Search** D23/262, 263,
D23/259; 285/97, 99, 104, 105, 108, 156

[56] **References Cited**

U.S. PATENT DOCUMENTS

| | | | |
|------------|---------|----------------------|---------|
| D. 291,480 | 8/1987 | Vassallo et al. | D23/263 |
| D. 343,889 | 2/1994 | Stonecypher | D23/263 |
| D. 353,654 | 12/1994 | Cox | D23/263 |
| D. 354,801 | 1/1995 | Grant et al. | D23/263 |
| D. 389,562 | 1/1998 | Picton | D23/263 |
| 5,090,743 | 2/1992 | Obering | D23/263 |

Primary Examiner—Marcus A. Jackson
Attorney, Agent, or Firm—Richard D. Slehofer

[57] **CLAIM**

The ornamental design for a utility outlet to connect a corrugated sewer and drain pipe to a catch basin, as shown and described.

DESCRIPTION

FIG. 1 is a perspective view of a utility outlet to connect a corrugated sewer and drain pipe to a catch basin showing my new design;

FIG. 2 is a front view thereof;

FIG. 3 is a right side view thereof, the left side being identical thereto;

FIG. 4 is a rear view thereof;

FIG. 5 is a bottom view of thereof;

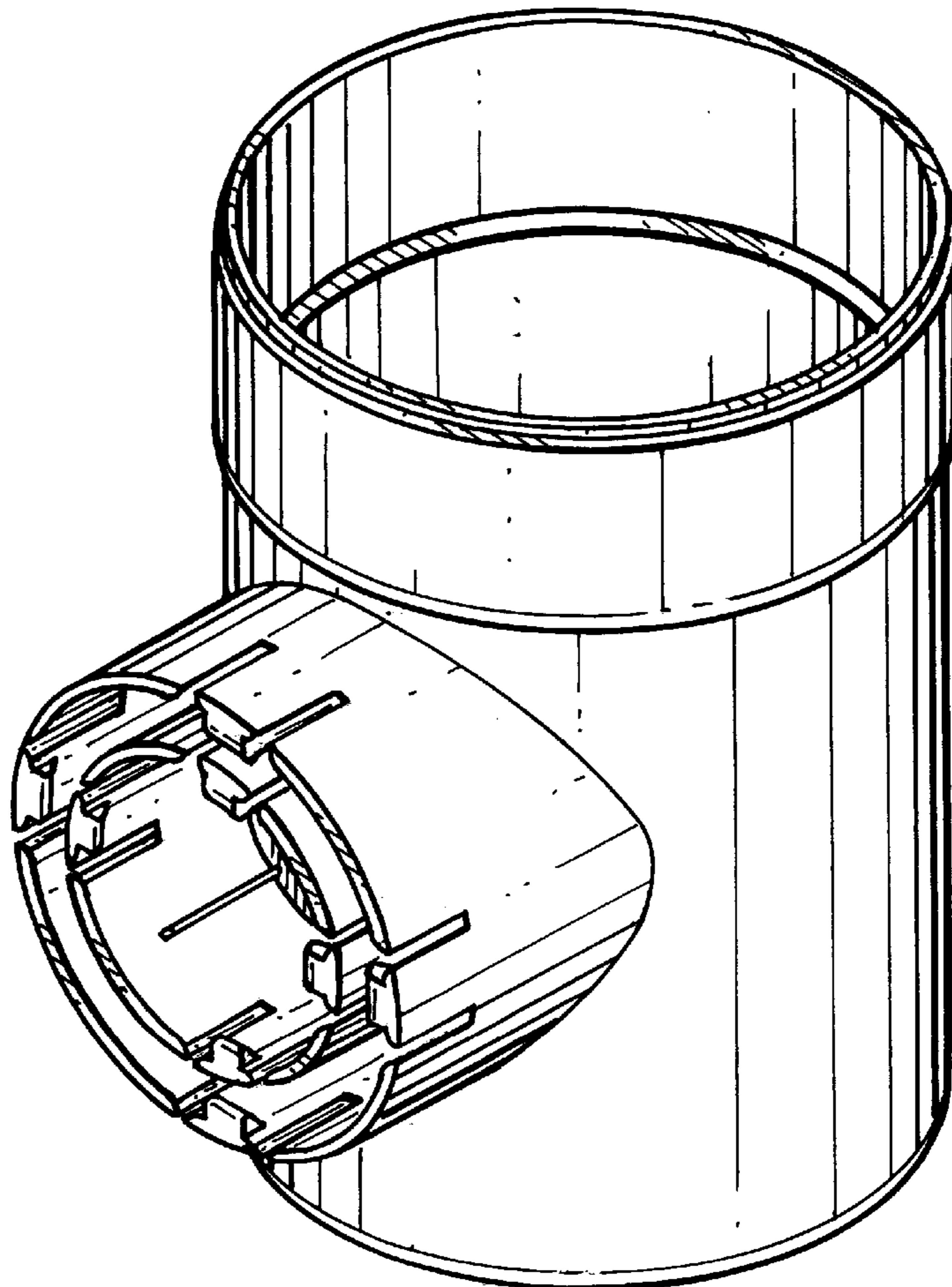
FIG. 6 is a top view thereof;

FIG. 7 is a cross-sectional view taken along line 7—7 of FIG. 6 ;

FIG. 8 is a top plan view of a second embodiment thereof, wherein the only difference resides in the double corrugated sewer pipe portion; and,

FIG. 9 is a cross-sectional view taken along line 9—9 of FIG. 8; with the broken line showing for illustrative purposes only and forming no part of the claimed design.

1 Claim, 3 Drawing Sheets



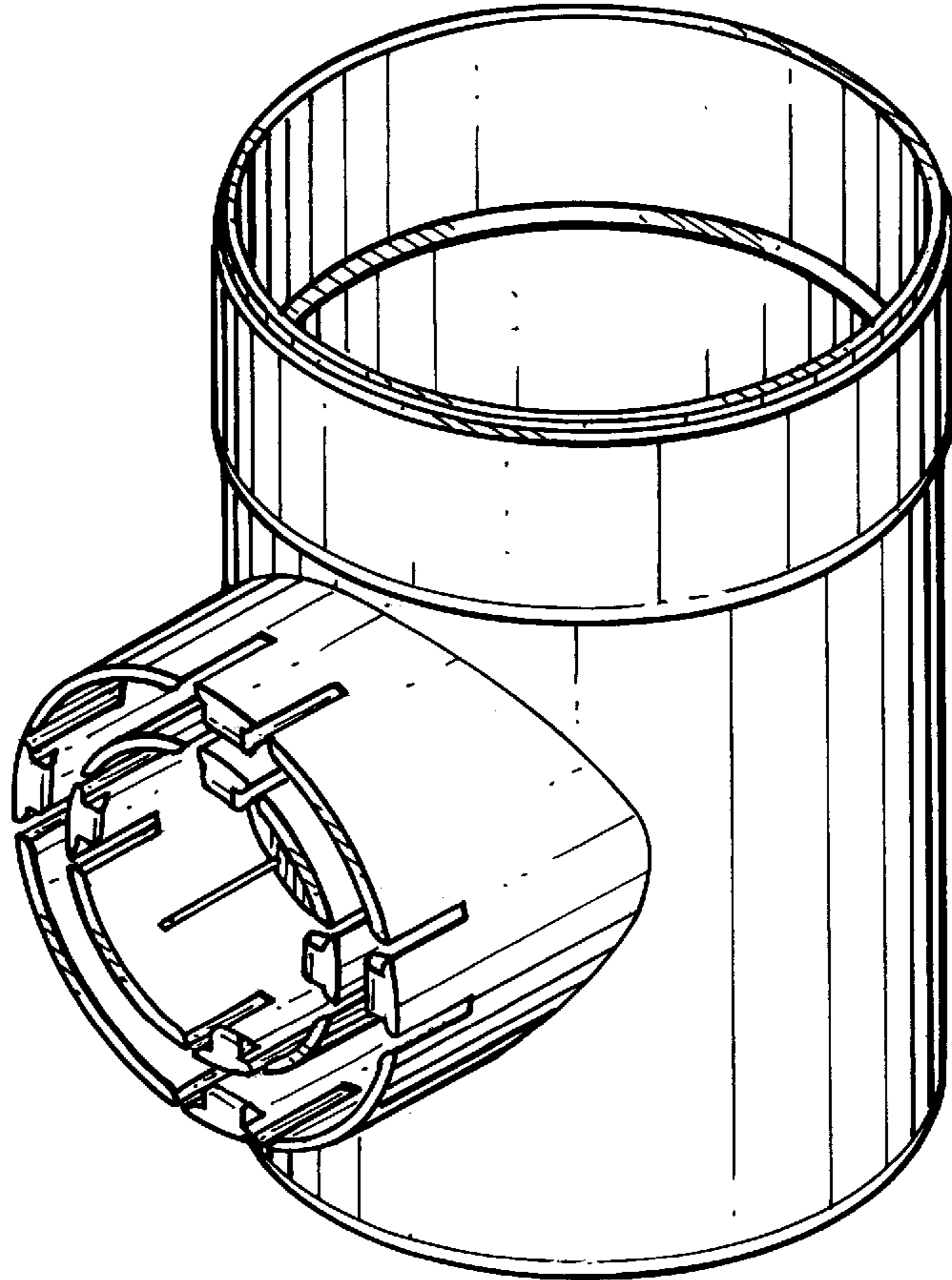


Fig. 1.

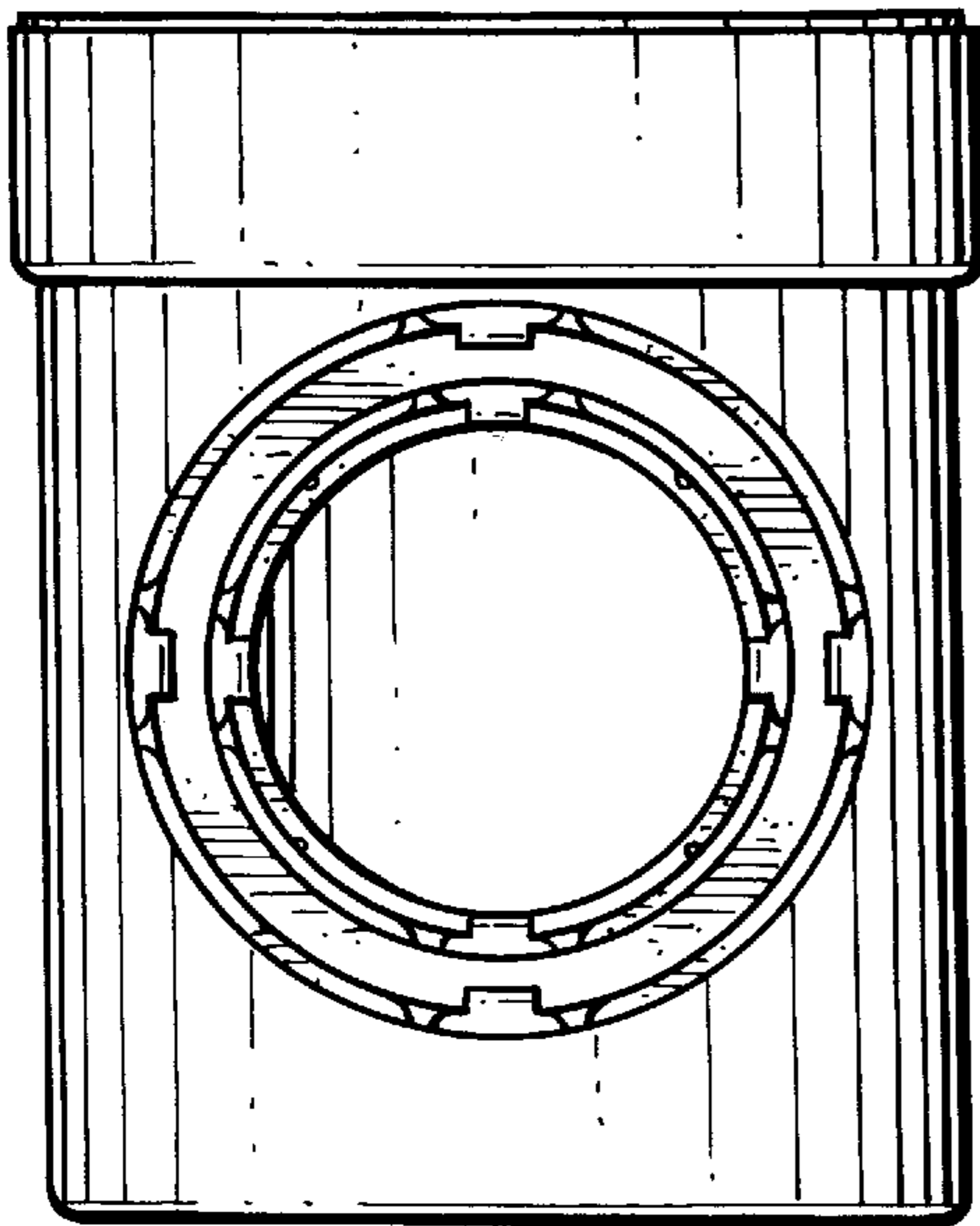


Fig. 2.

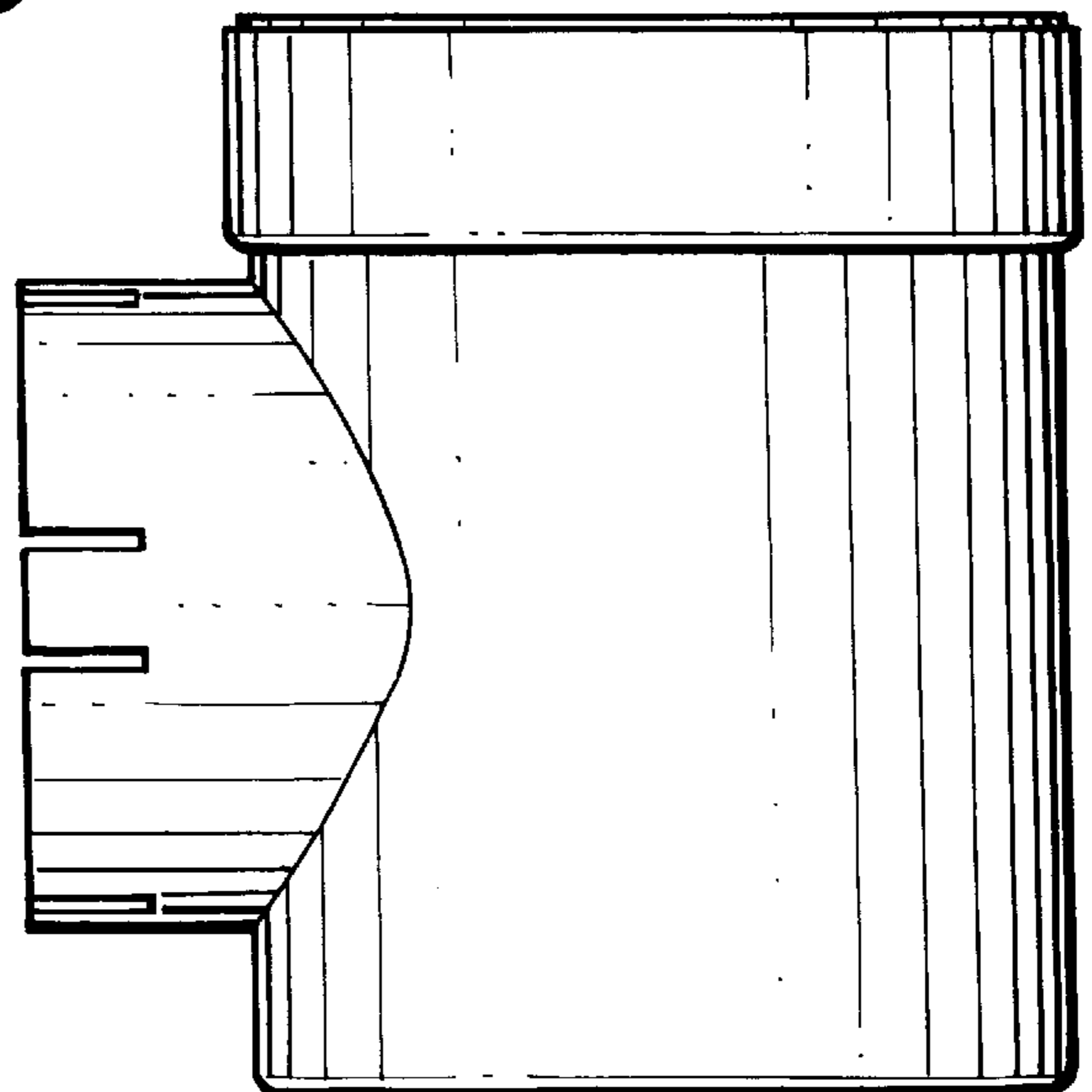


Fig. 3.

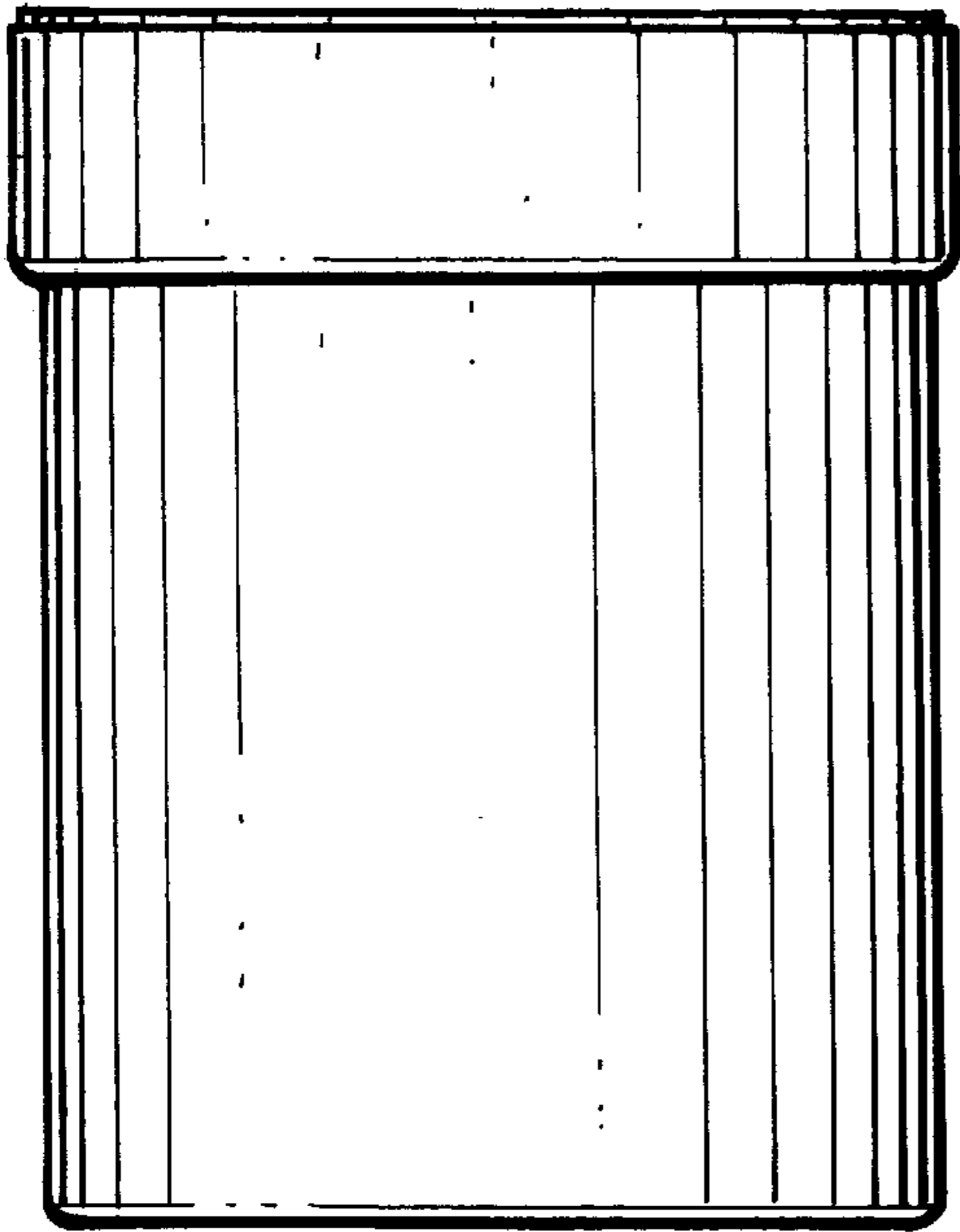


Fig. 4.

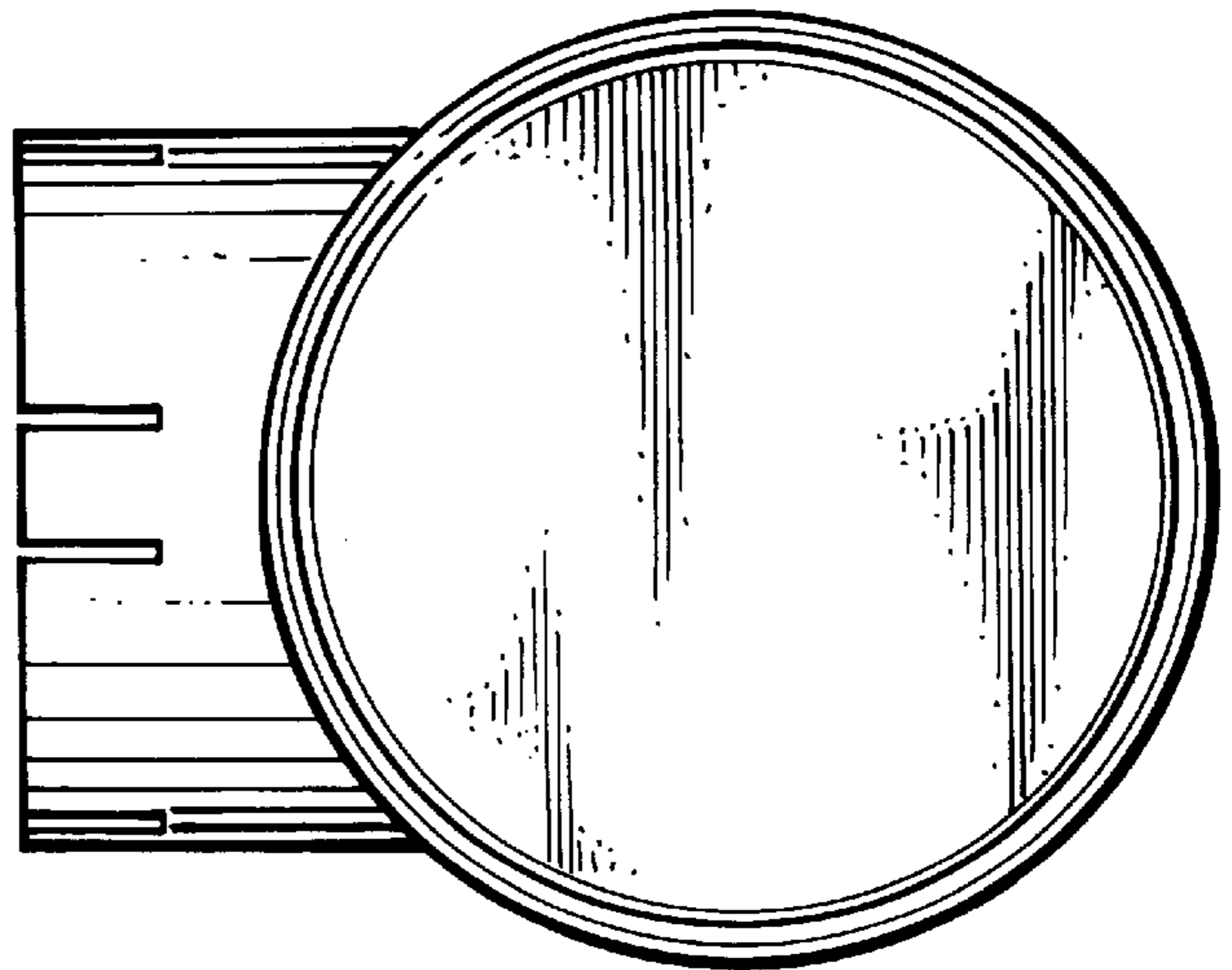


Fig. 5.

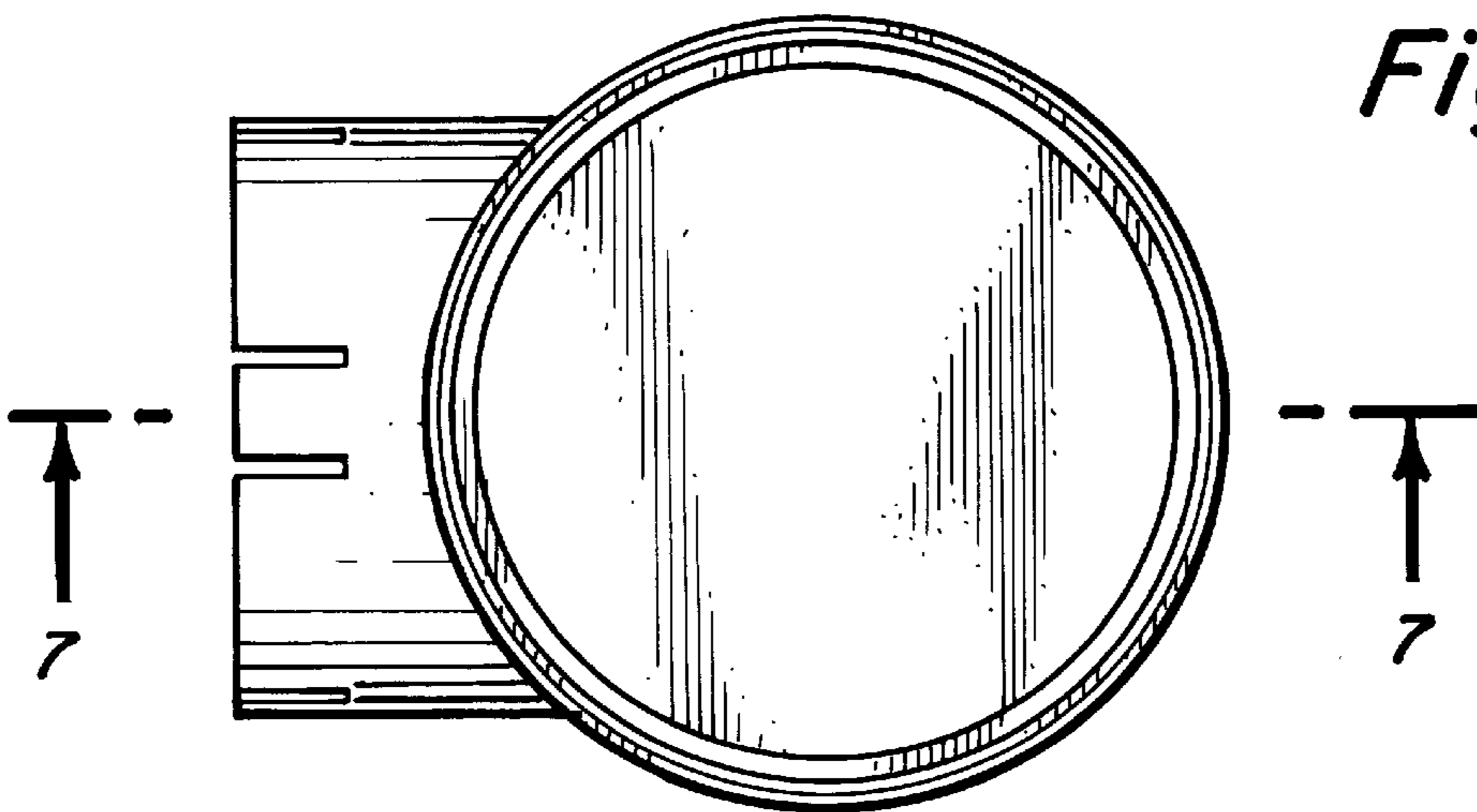


Fig. 6.

