



US00D402011S

United States Patent [19]
Masuda

[11] **Patent Number:** **Des. 402,011**
[45] **Date of Patent:** ****Dec. 1, 1998**

[54] **WATER IMPROVEMENT APPLIANCE**

[75] Inventor: **Isamu Masuda**, Fukuoka, Japan

[73] Assignee: **Nihon Kenko Zoushin Kenkyukai Corporation**, Fukuoka, Japan

[**] Term: **14 Years**

[21] Appl. No.: **63,467**

[22] Filed: **Dec. 9, 1996**

[30] **Foreign Application Priority Data**

Jul. 12, 1996 [JP] Japan 8-21065

[51] **LOC (6) Cl.** **23-01**

[52] **U.S. Cl.** **D23/259**

[58] **Field of Search** D23/259, 262,
D23/263; 137/561 A, 597, 883

[56] **References Cited**

U.S. PATENT DOCUMENTS

D. 343,888 2/1994 Rupp D23/259
D. 353,443 12/1994 Lopey D23/259
1,813,687 7/1931 Stockholder D23/259

Primary Examiner—Marcus A. Jackson

Attorney, Agent, or Firm—Jordan and Hamburg

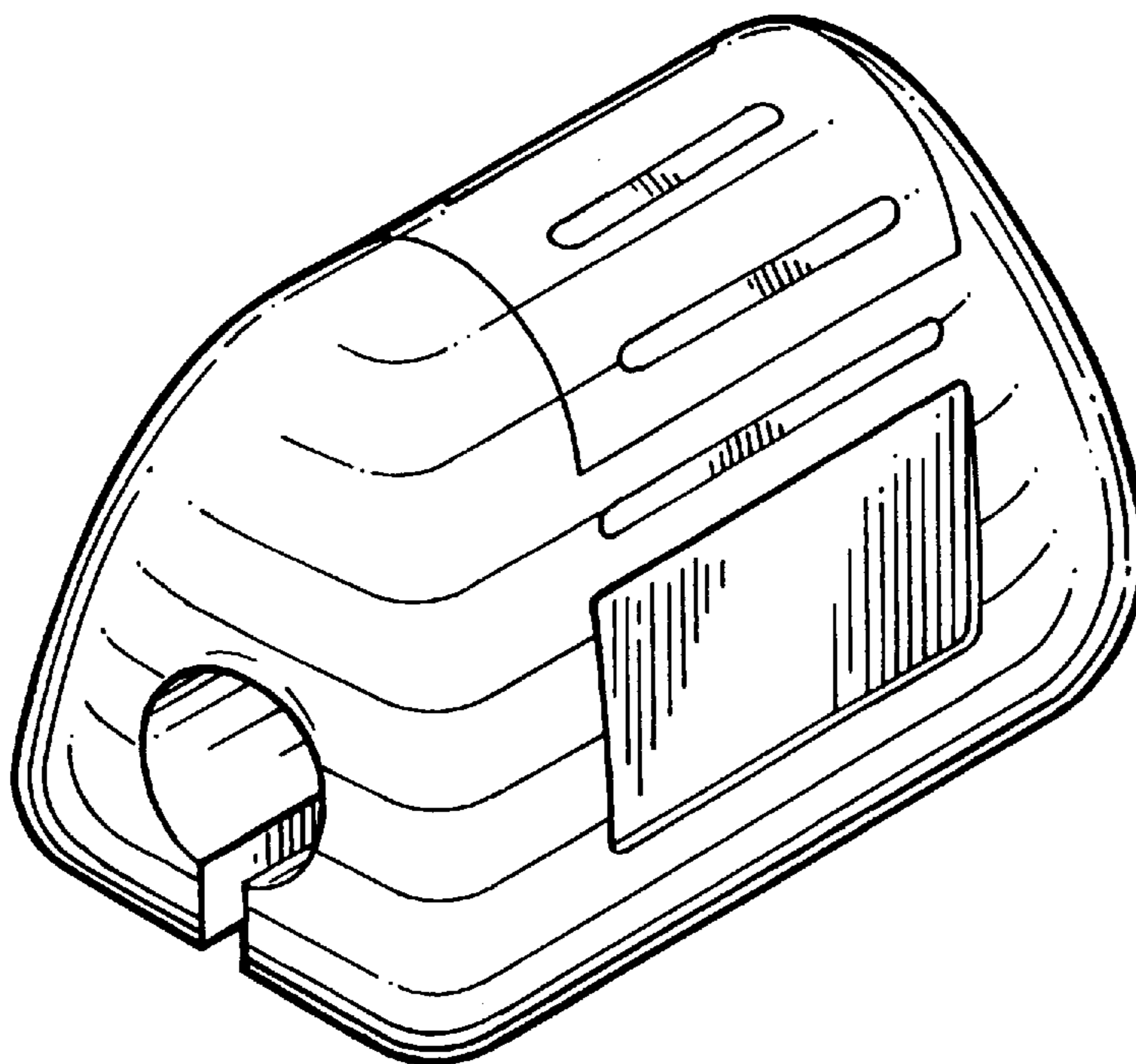
[57] **CLAIM**

The ornamental design for a water improvement appliance, as shown and described.

DESCRIPTION

FIG. 1 is a perspective view of a water improvement appliance showing my new design; FIG. 2 is a top plan view thereof; FIG. 3 is a front elevational view thereof, the rear elevational view on the opposite side being identical thereto; FIG. 4 is a bottom plan view thereof; FIG. 5 is a right side elevational view thereof, the opposite left side elevational view being identical thereto; FIG. 6 is a sectional view taken along the line 6—6 in FIG. 3; FIG. 7 is a sectional view taken along the line 7—7 in FIG. 3; FIG. 8 is a front elevational view thereof, with the broken line showing for illustrative purposes only and forming no part of the claimed design; FIG. 9 is a top plan view showing the water improvement appliance with its upper portion removed; and, FIG. 10 is a front elevational view of FIG. 9.

1 Claim, 5 Drawing Sheets



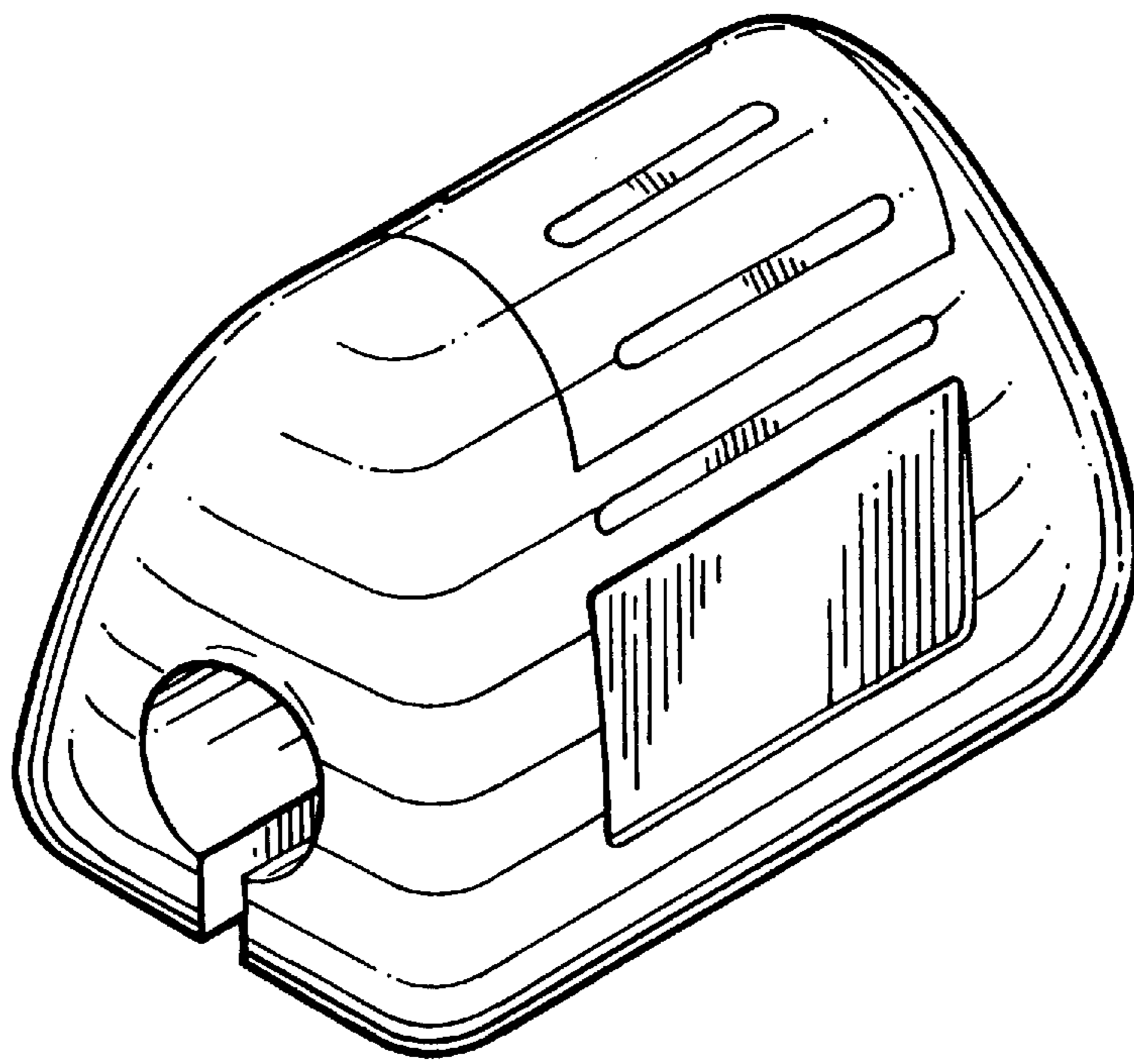


FIG. 1

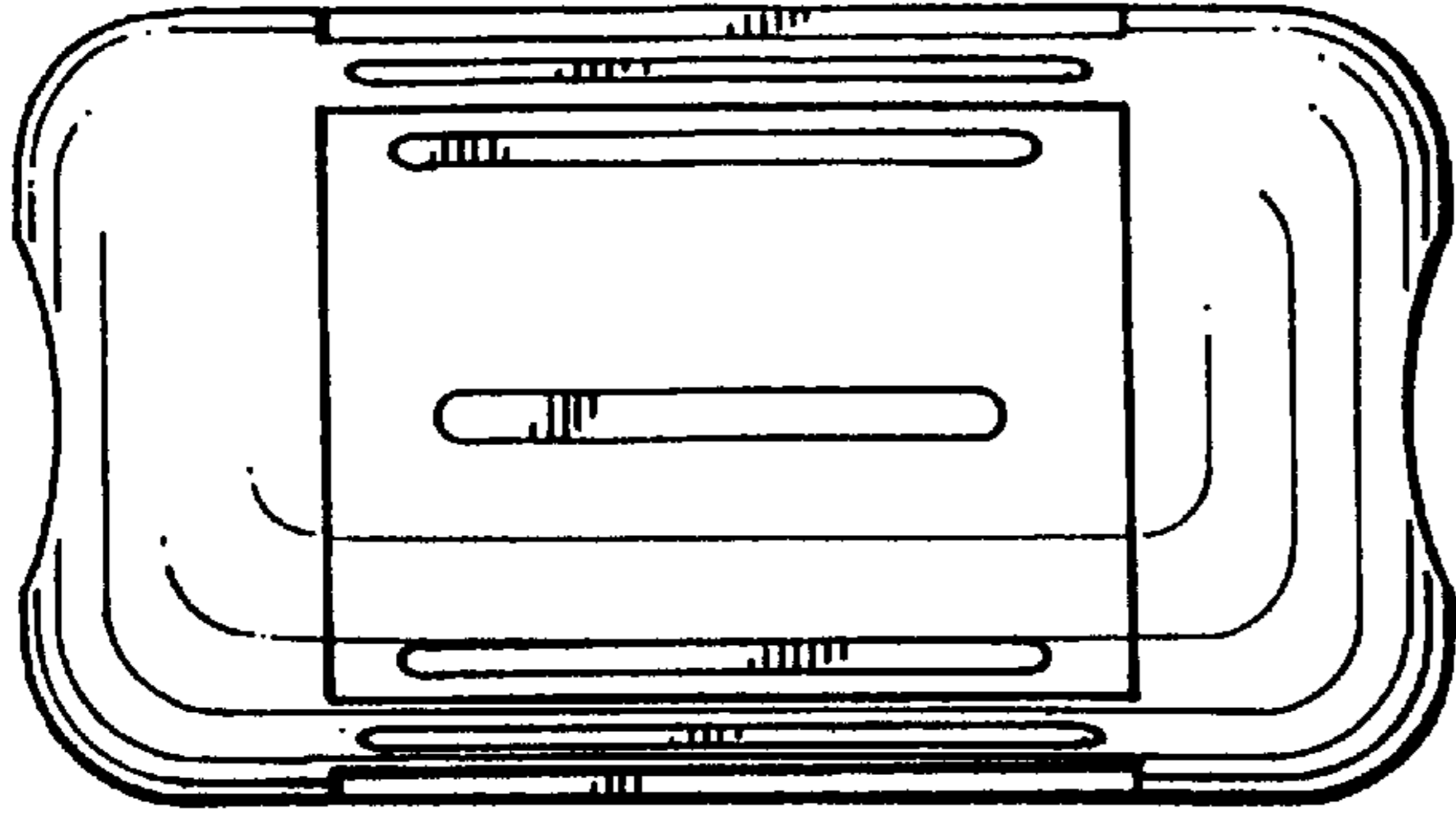


FIG. 2

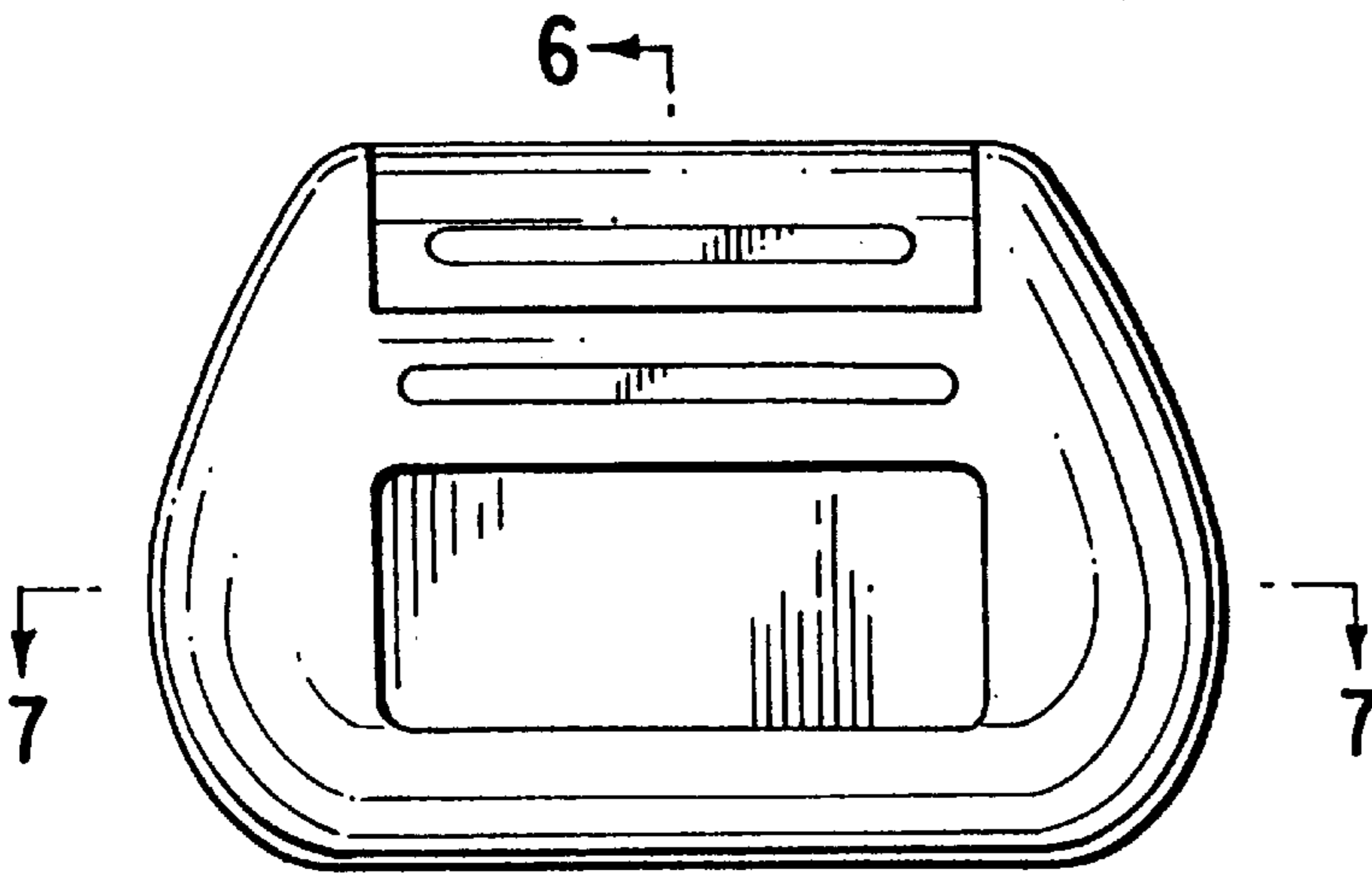


FIG. 3

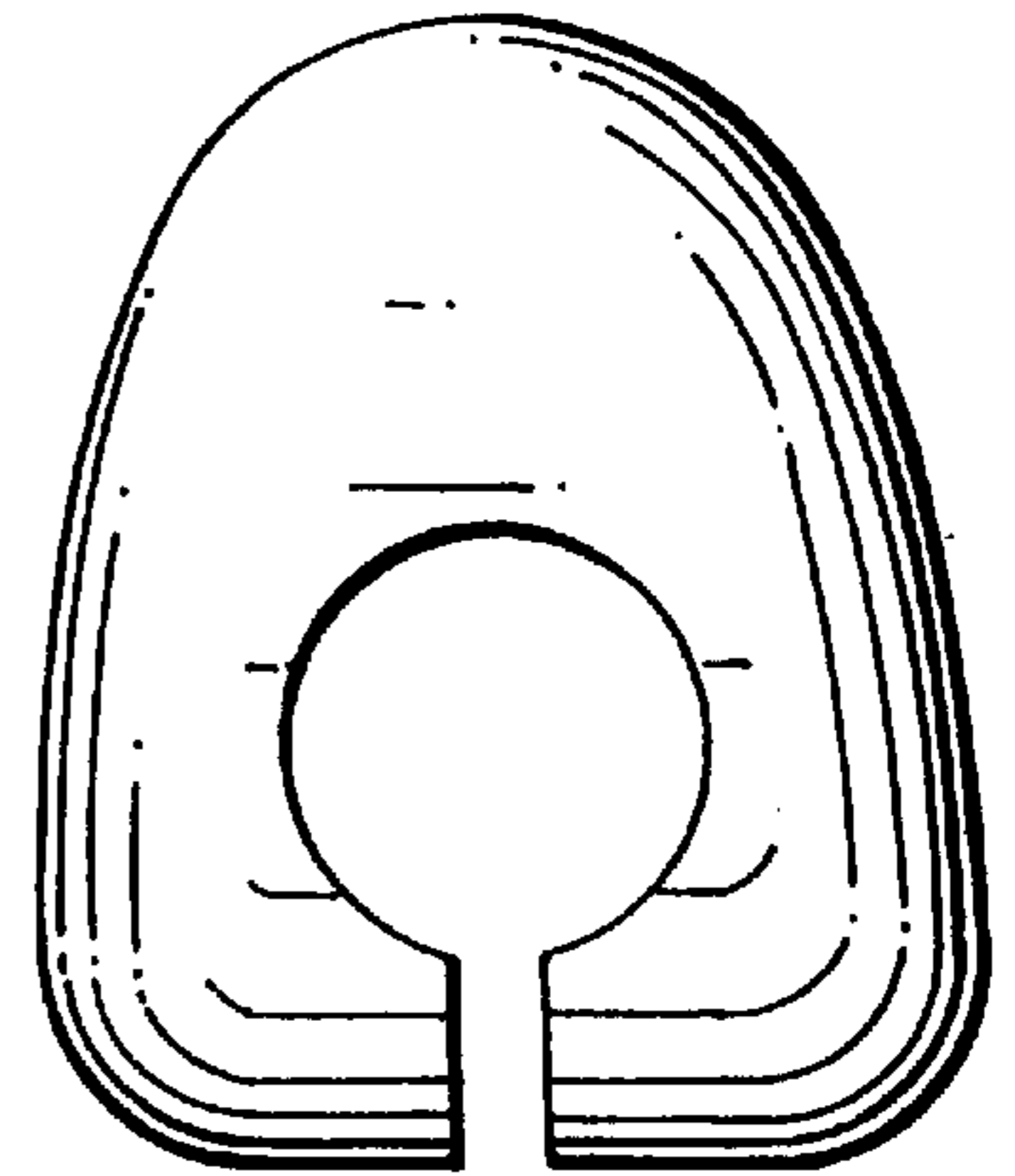


FIG. 5

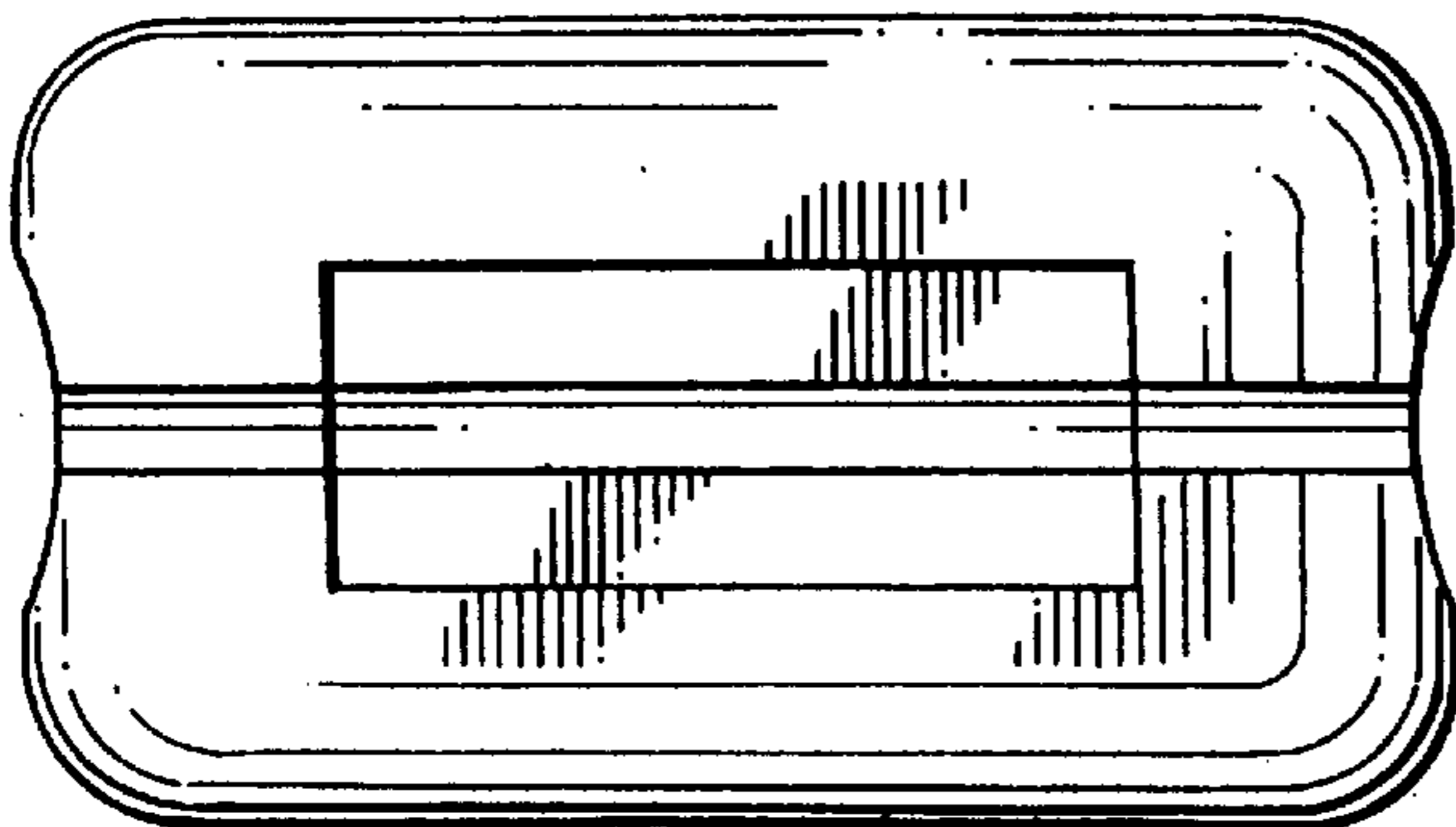


FIG. 4

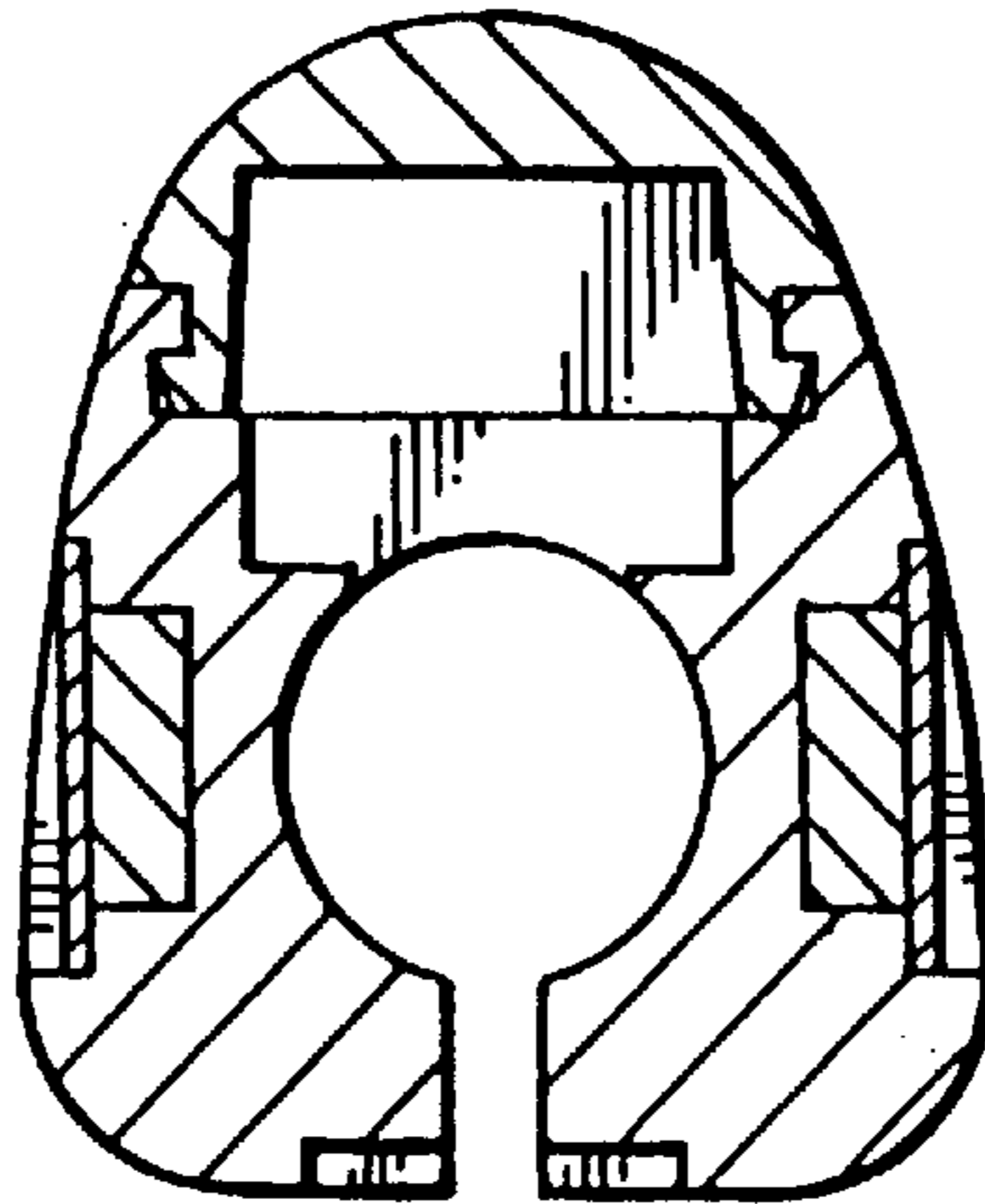


FIG. 6

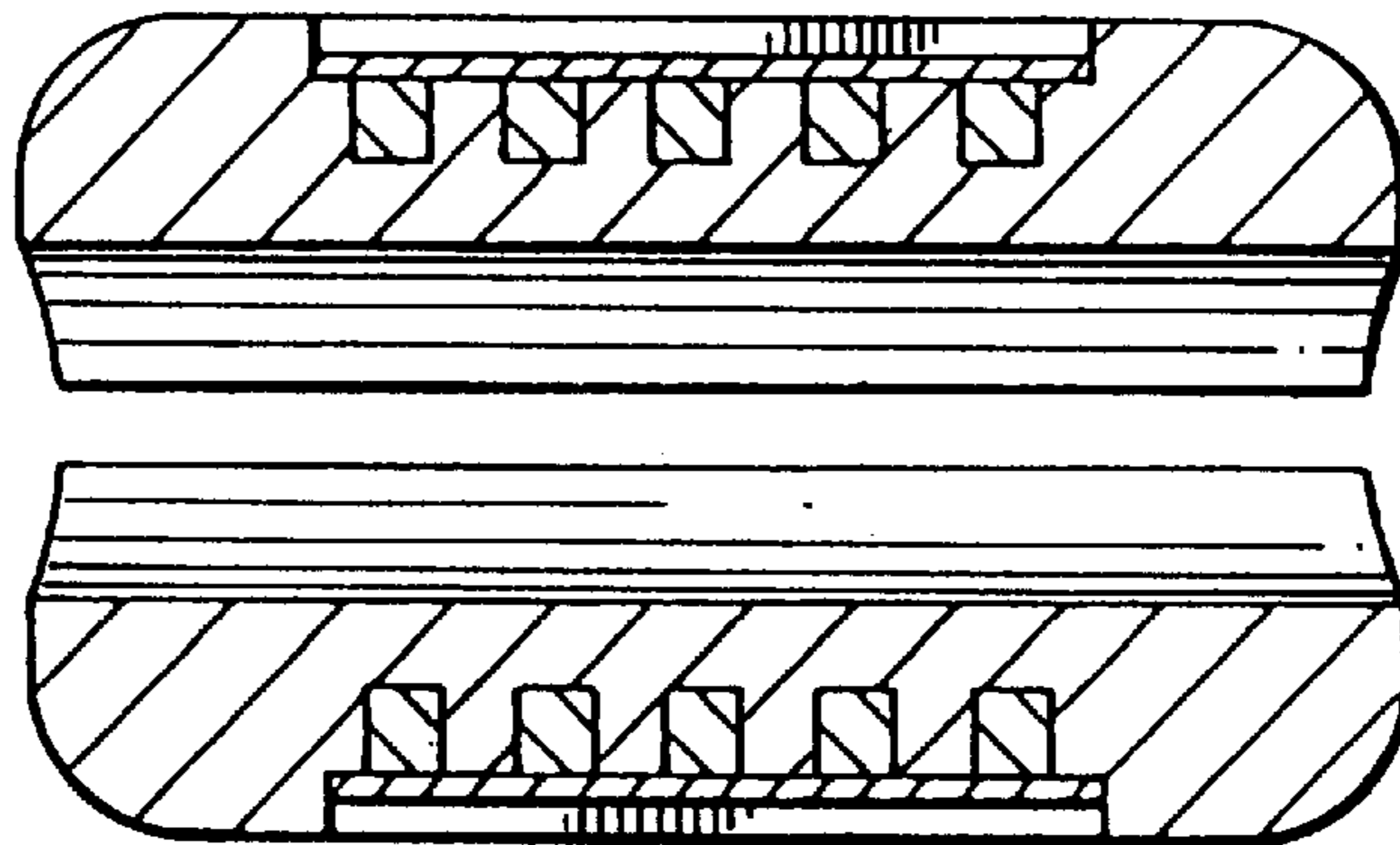


FIG. 7

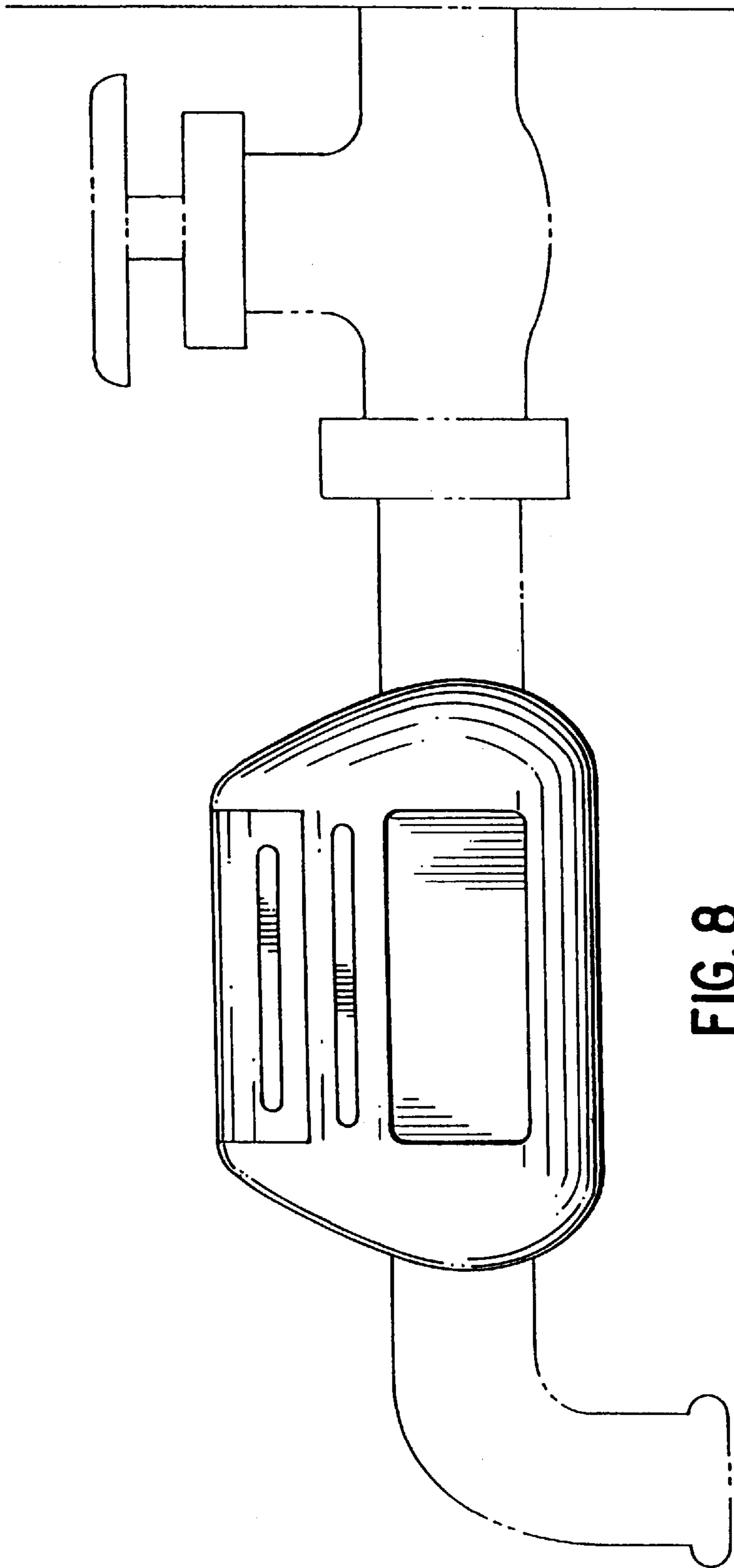


FIG. 8

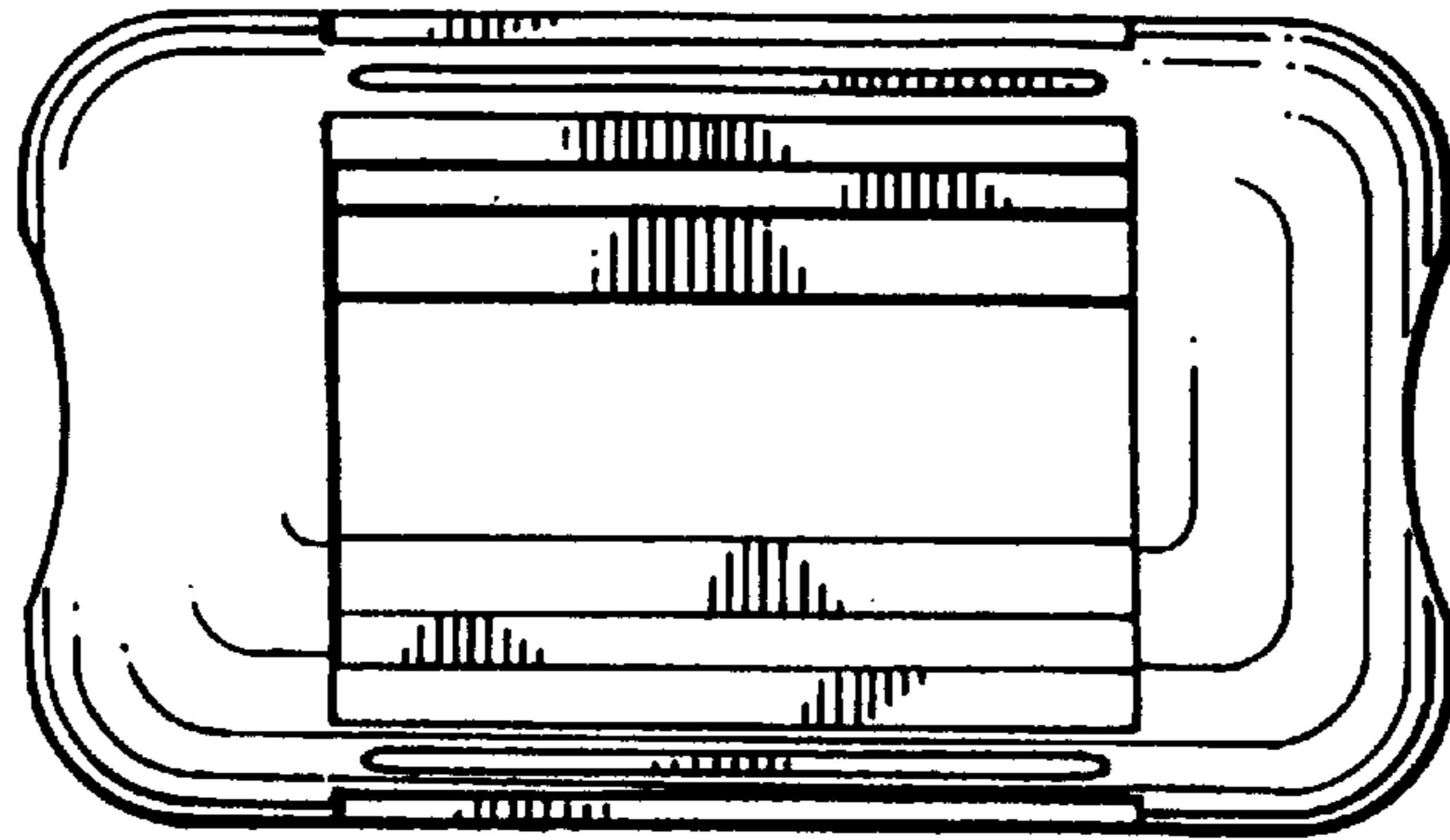


FIG. 9

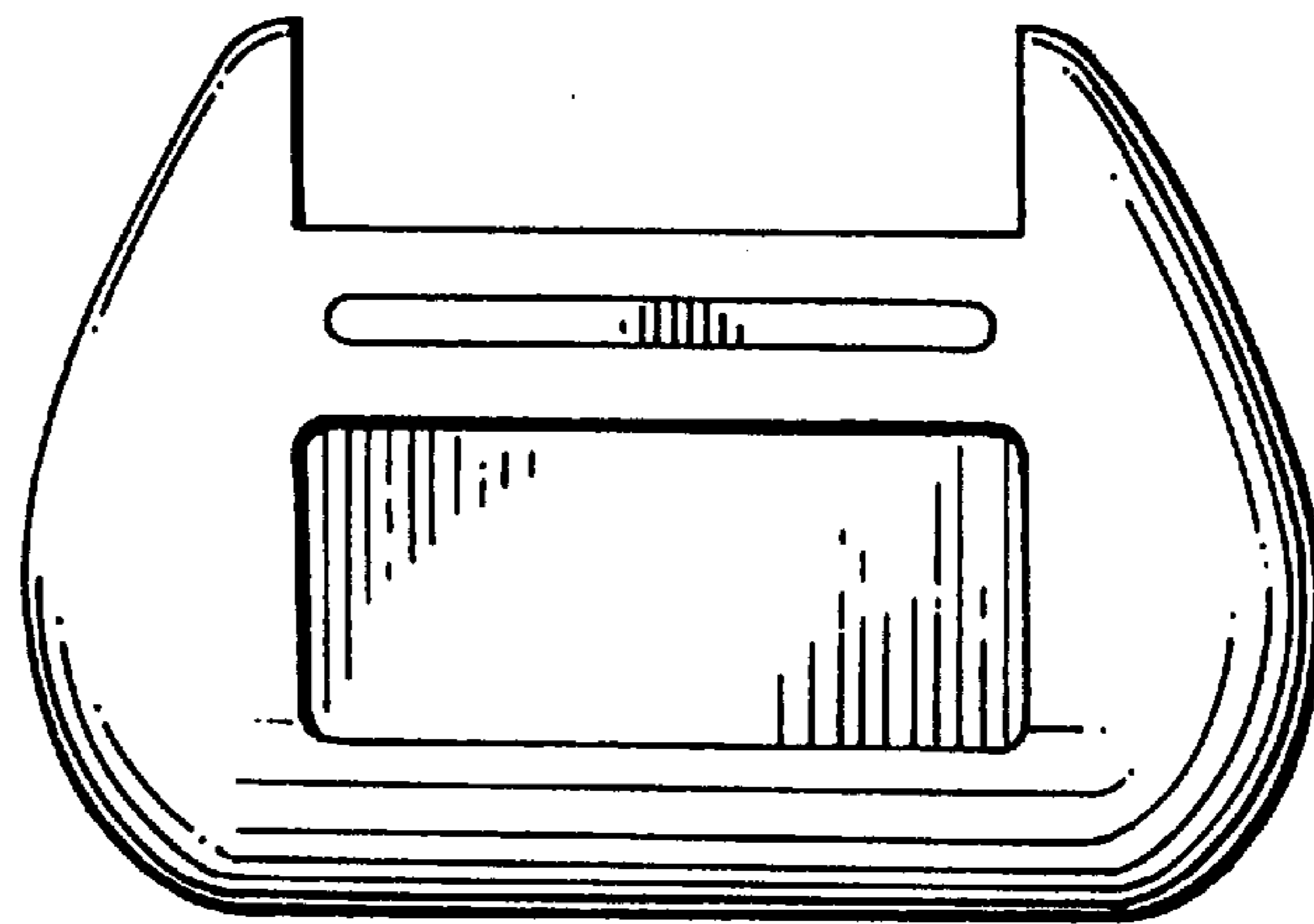


FIG. 10