



US00D402008S

United States Patent [19]

Hill et al.

[11] Patent Number: Des. 402,008

[45] Date of Patent: **Dec. 1, 1998

[54] SHOWER ESCUTCHEON

[75] Inventors: Loran R. Hill, Indianapolis; Judd A. Lord, Carmel, both of Ind.

[73] Assignee: Masco Corporation of Indiana, Indianapolis, Ind.

[**] Term: 14 Years

[21] Appl. No.: 71,967

[22] Filed: Jun. 10, 1997

[51] LOC (6) Cl. 23-01

[52] U.S. Cl. D23/254

[58] Field of Search D23/238-243, D23/250-257; D8/300, 352; 282/357; 4/675-678

[56] References Cited

U.S. PATENT DOCUMENTS

D. 194,229	12/1962	Laudell	D23/254
D. 230,253	2/1974	Sattoff	D8/352
D. 319,294	8/1991	Kouler, Jr. et al.	D23/254
D. 332,826	1/1993	Rosenbaum	D23/254
D. 356,362	3/1995	Bourgeois	D23/254

Primary Examiner—Louis S. Zarfes
Assistant Examiner—Eric Watterson
Attorney, Agent, or Firm—Myron B. Kapustij; Malcolm L. Sutherland

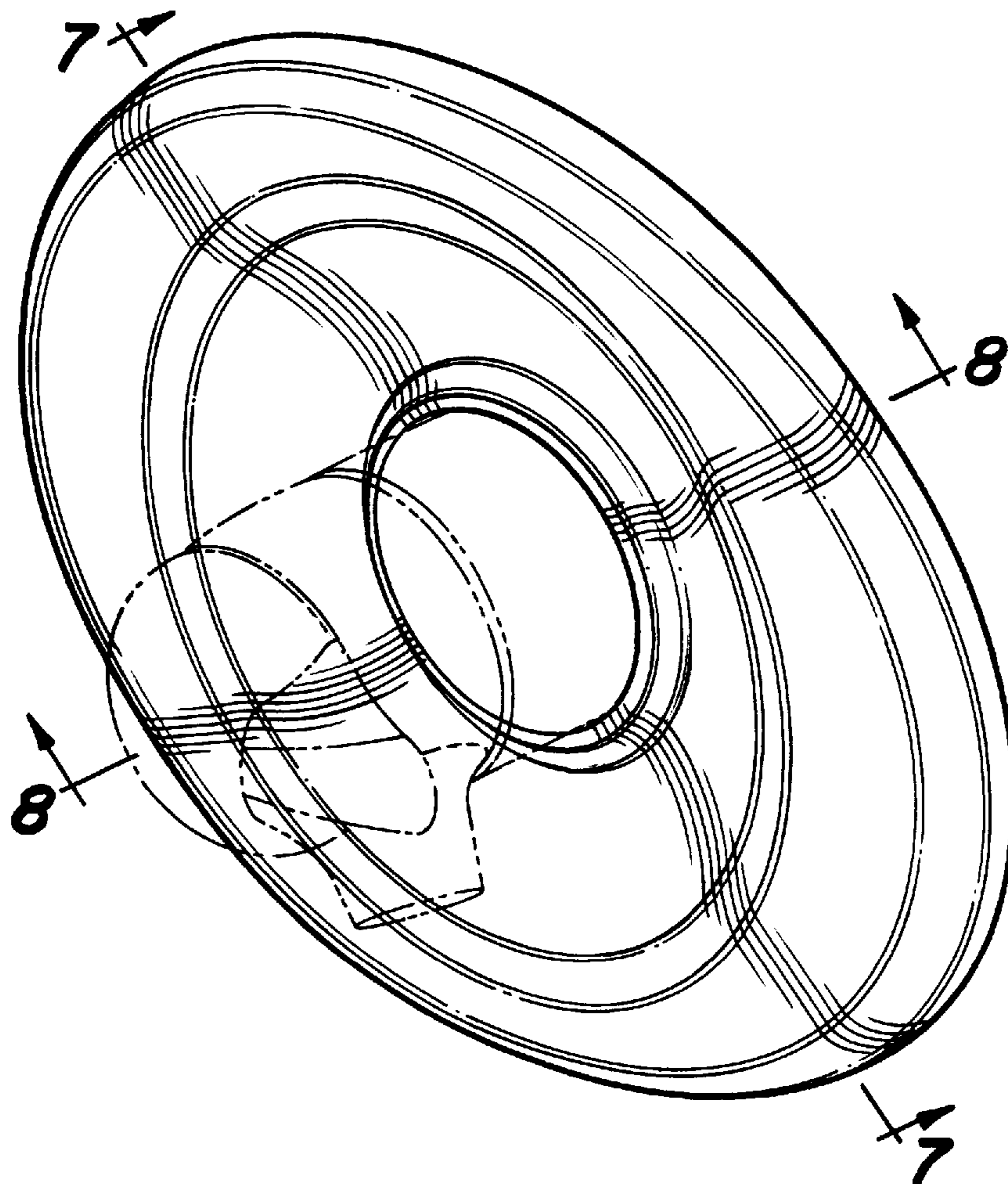
[57] CLAIM

The ornamental design for a shower escutcheon, as shown and described.

DESCRIPTION

FIG. 1 is a perspective view of a shower escutcheon showing our new design;
FIG. 2 is a front elevational view thereof;
FIG. 3 is a top plan view thereof;
FIG. 4 is a bottom plan view thereof;
FIG. 5 is a left side elevational view thereof;
FIG. 6 is a right side elevational view thereof;
FIG. 7 is a cross-sectional view taken along line 7—7 in FIG. 1; and,
FIG. 8 is a cross-sectional view taken along line 8—8 in FIG. 1.
The broken line showing of the handle in FIGS. 1-6 is for purposes of illustration only and forms no part of the claimed design.

1 Claim, 4 Drawing Sheets



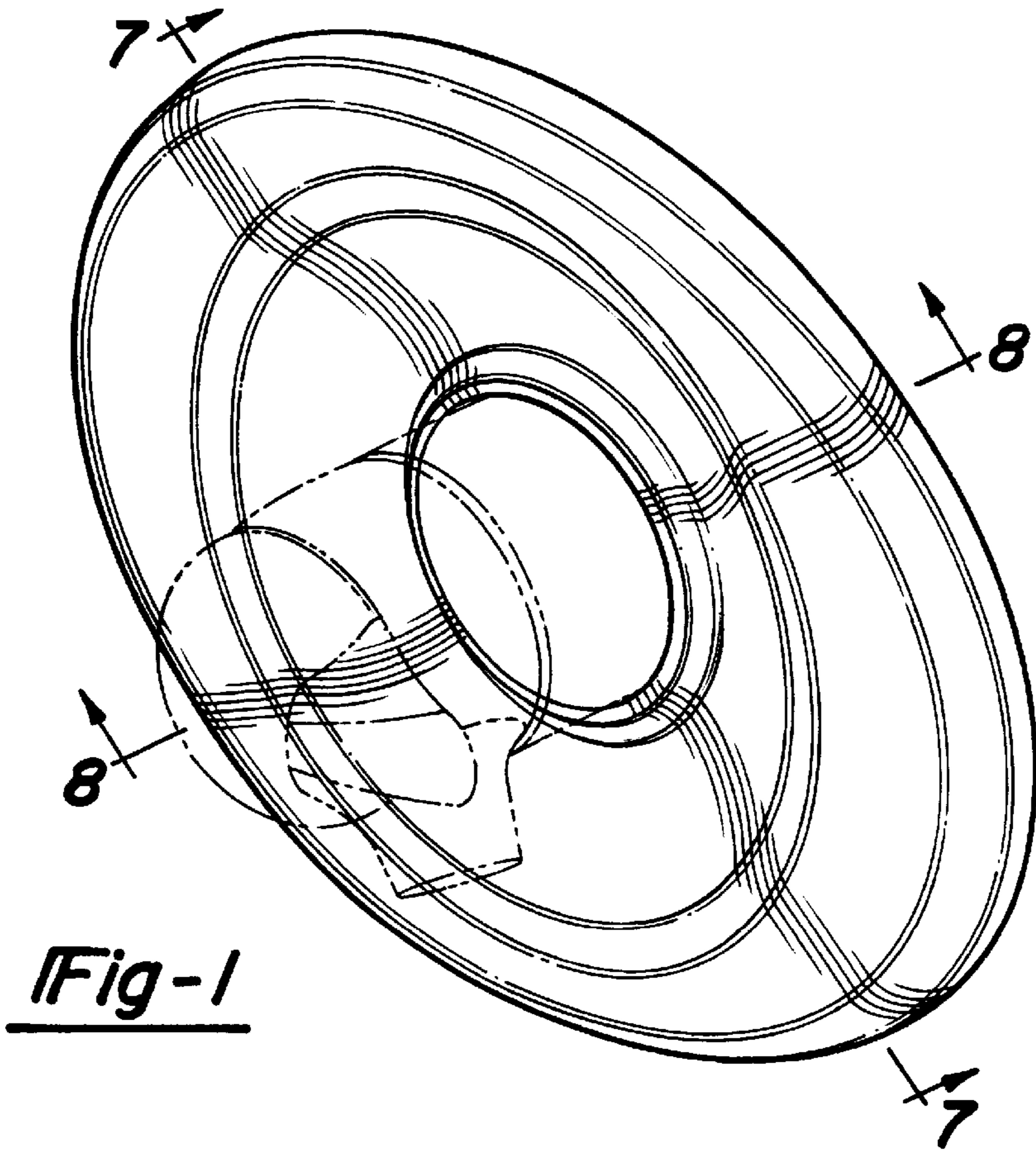


Fig-1

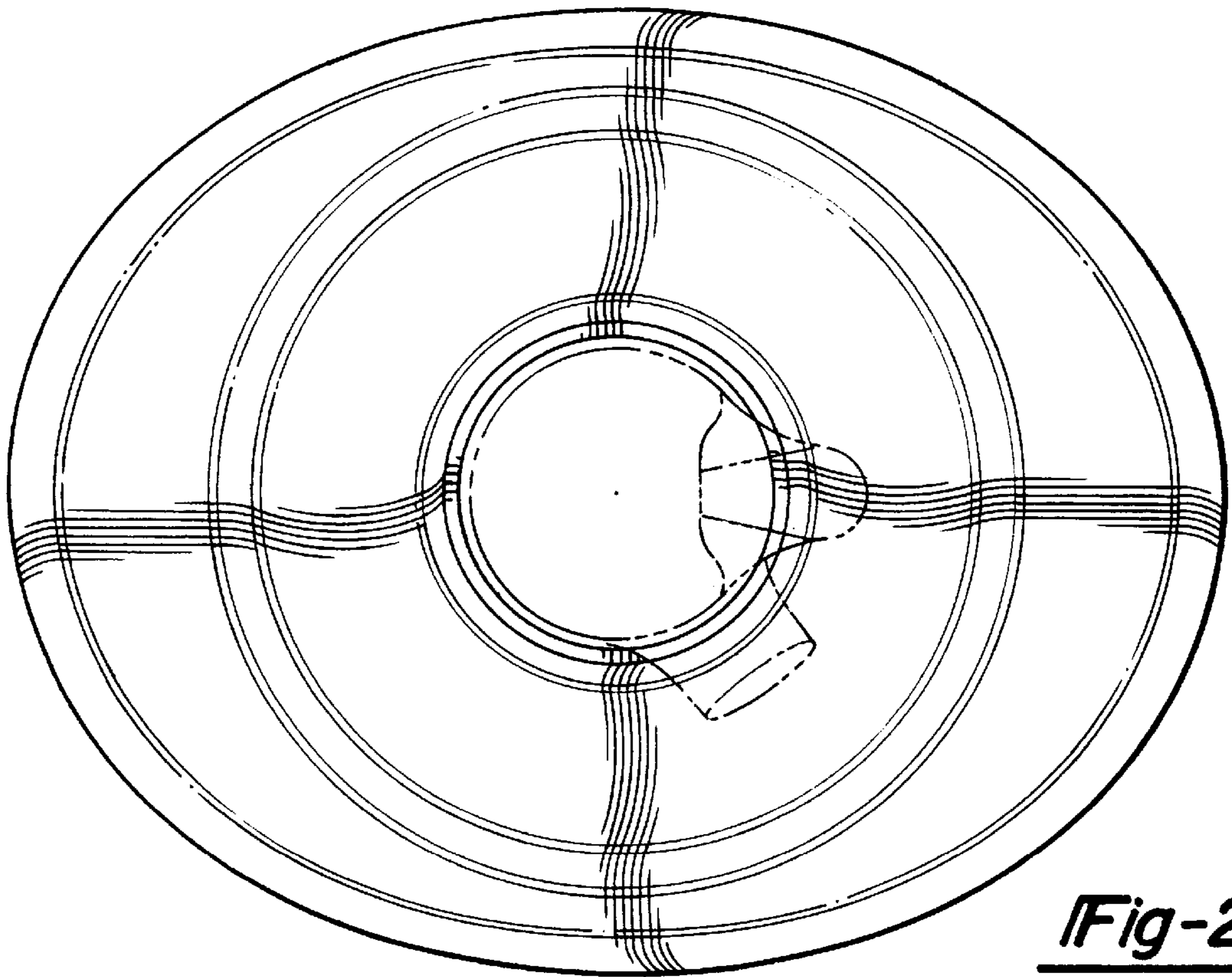


Fig-2

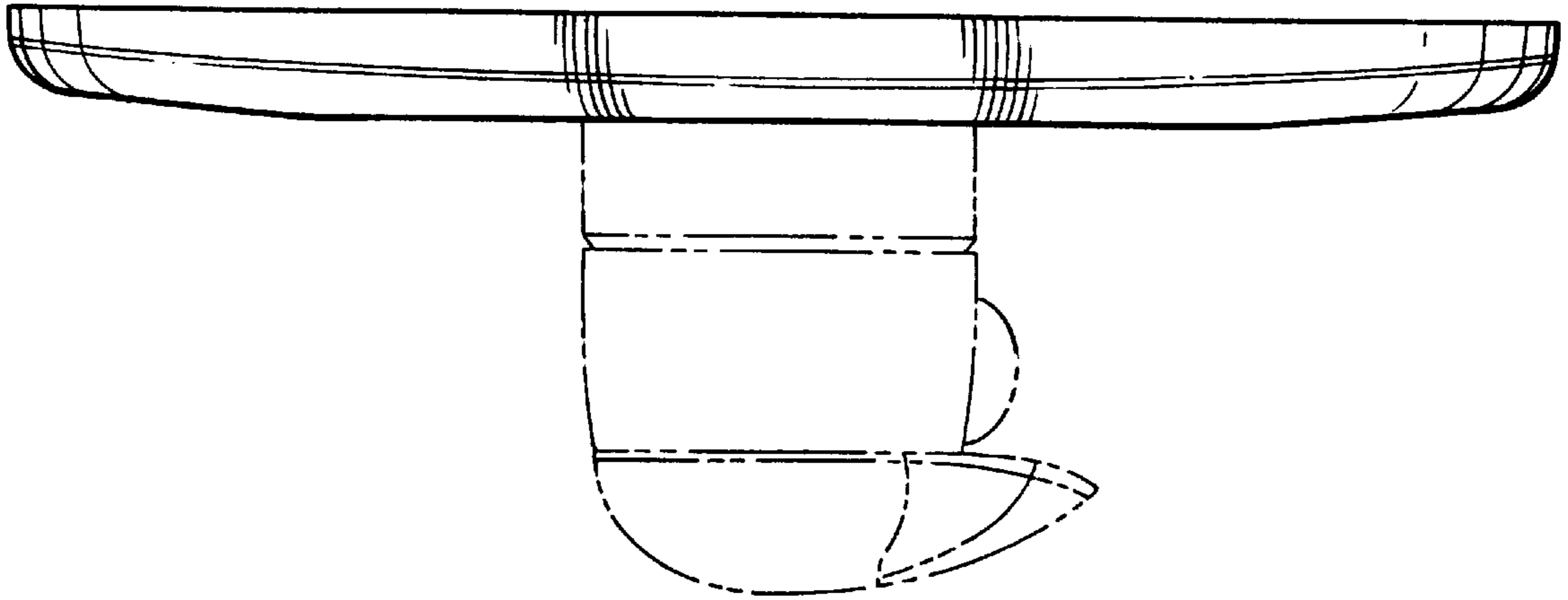


Fig-3

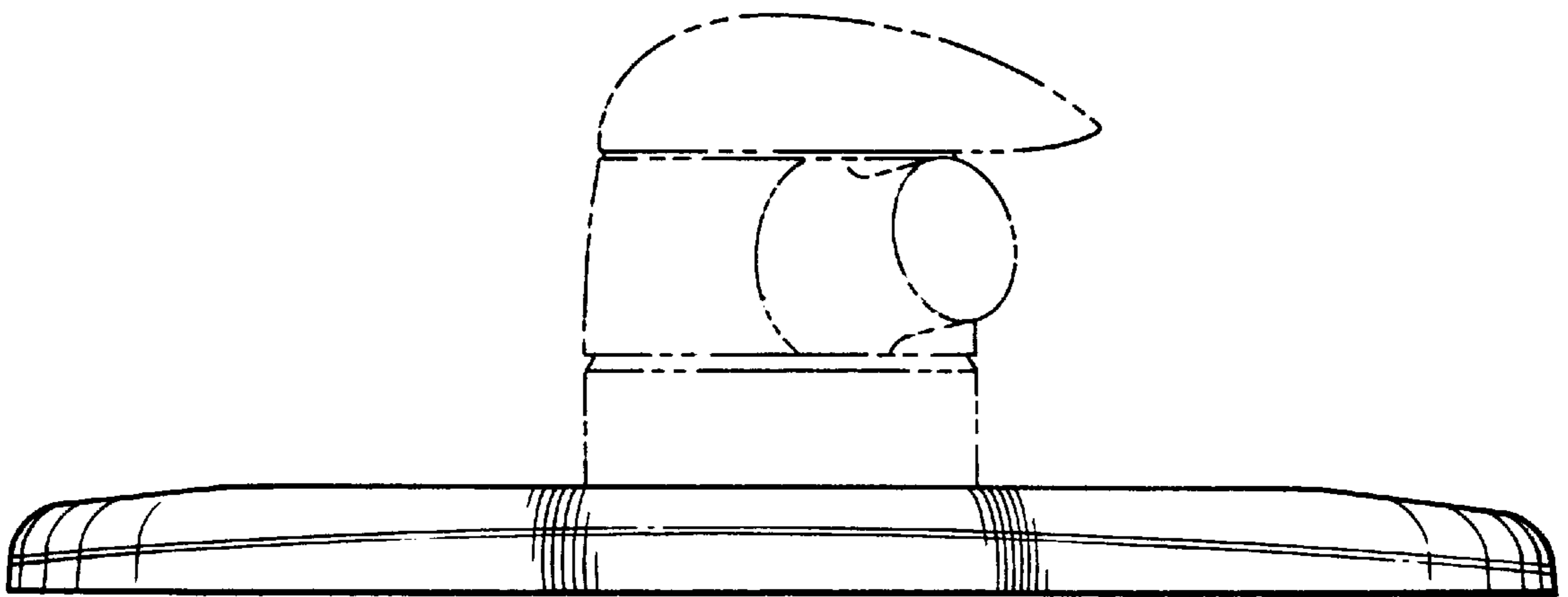


Fig-4

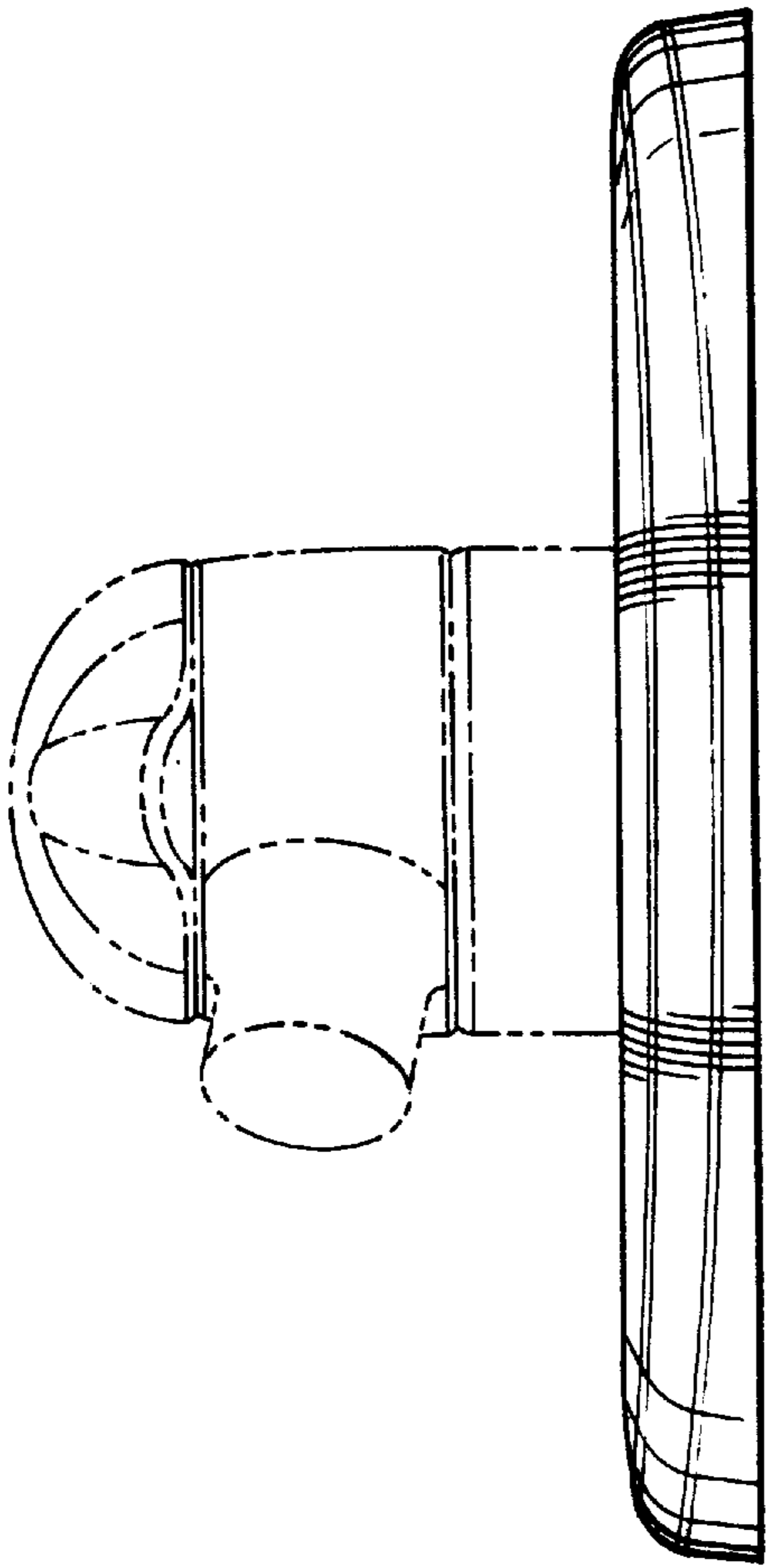
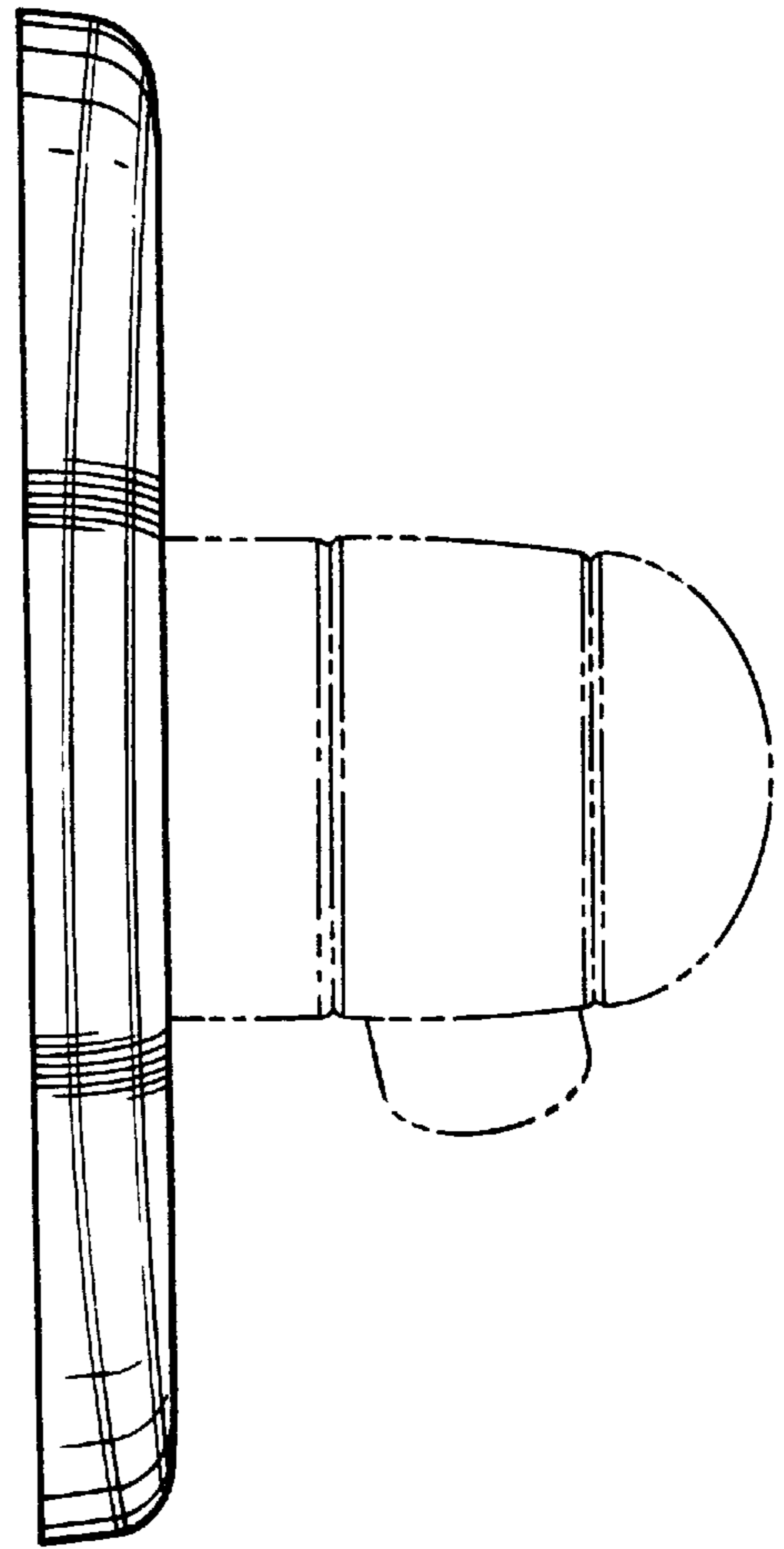


Fig-5

Fig-6



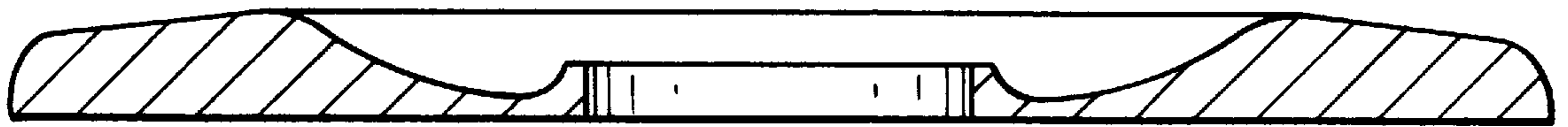


Fig-7

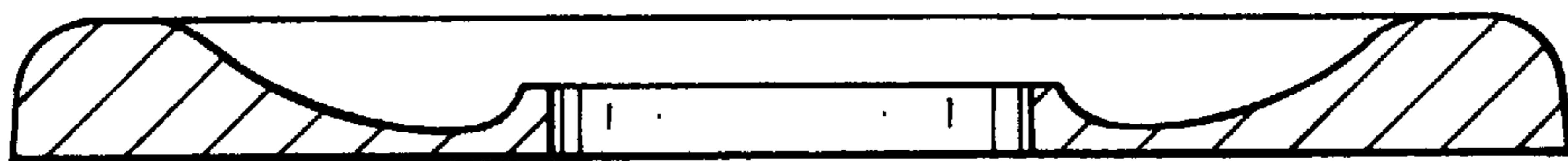


Fig-8