



US00D402007S

# United States Patent [19]

Hill et al.

[11] **Patent Number:** **Des. 402,007**

[45] **Date of Patent:** **\*\*Dec. 1, 1998**

[54] **SHOWER ESCUTCHEON HANDLE**

D. 355,021 1/1995 Schott et al. .... D23/254

[75] Inventors: **Loran R. Hill**, Indianapolis; **Judd A. Lord**, Carmel, both of Ind.

*Primary Examiner*—Louis S. Zarfes  
*Assistant Examiner*—Eric Watterson  
*Attorney, Agent, or Firm*—Myron B. Kapustij; Malcolm L. Sutherland

[73] Assignee: **Masco Corporation of Indiana**, Indianapolis, Ind.

[\*\*] Term: **14 Years**

[57] **CLAIM**

The ornamental design for a shower escutcheon handle, as shown and described.

[21] Appl. No.: **71,966**

[22] Filed: **Jun. 10, 1997**

**DESCRIPTION**

[51] **LOC (6) Cl.** ..... **23-01**

[52] **U.S. Cl.** ..... **D23/254**

[58] **Field of Search** ..... D23/238-243,  
D23/250-257; D8/300, 352; 292/357; 4/675-678

FIG. 1 is a perspective view of a shower escutcheon handle showing our new design;

FIG. 2 is a front elevational view thereof;

FIG. 3 is a top plan view thereof;

FIG. 4 is a bottom plan view thereof;

FIG. 5 is a left side elevational view thereof; and,

FIG. 6 is a right side elevational view thereof.

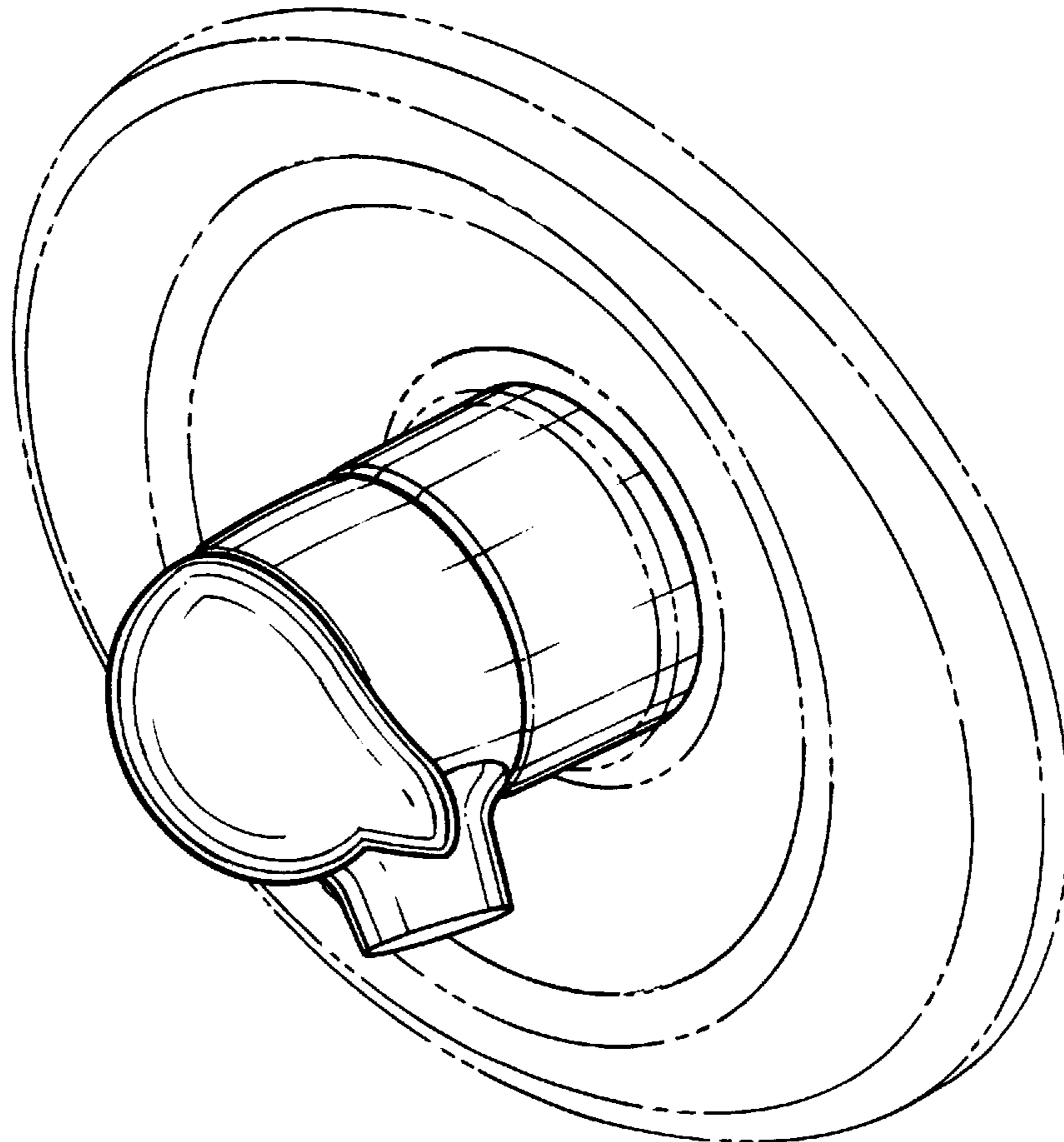
The broken line showing of the shower escutcheon in FIGS. 1-6 is for purposes of illustration only and forms no part of the claimed design.

[56] **References Cited**

**U.S. PATENT DOCUMENTS**

D. 285,107	8/1986	Ogilvie	.....	D23/254
D. 285,108	8/1986	Ogilvie	.....	D23/254
D. 285,245	8/1986	Ogilvie	.....	D23/254
D. 345,004	3/1994	Bengtson	.....	D23/254

**1 Claim, 3 Drawing Sheets**



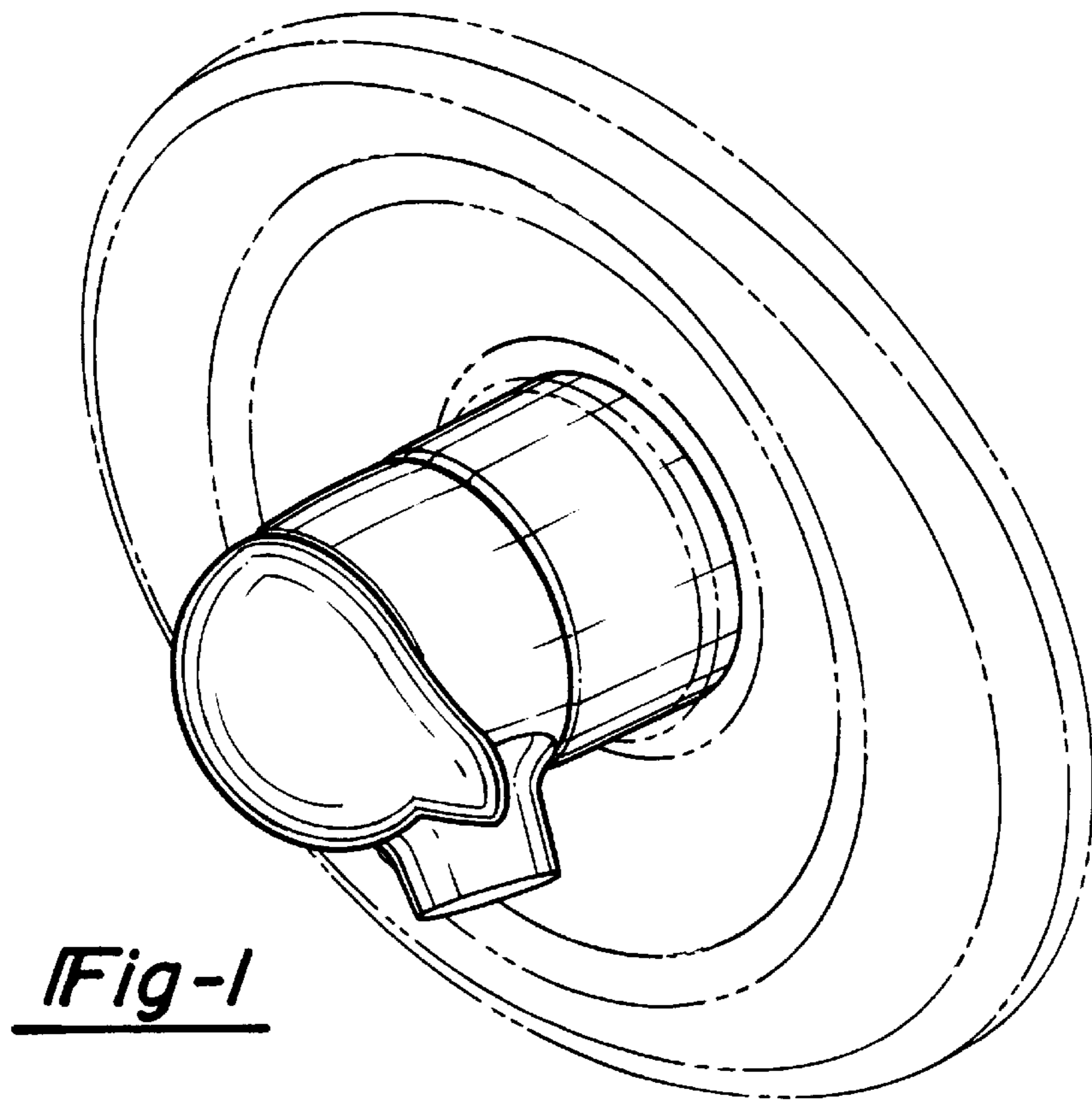


Fig-1

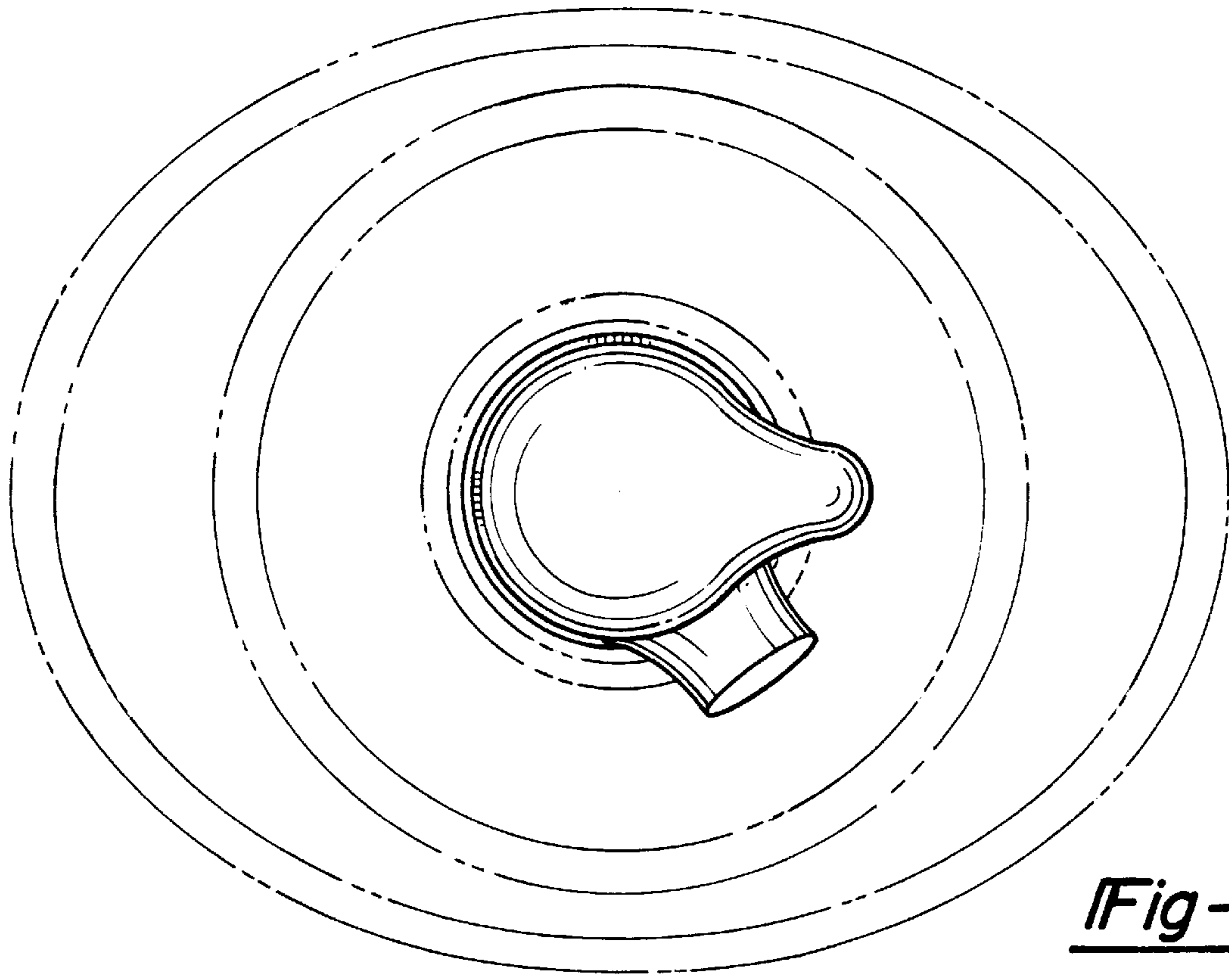


Fig-2

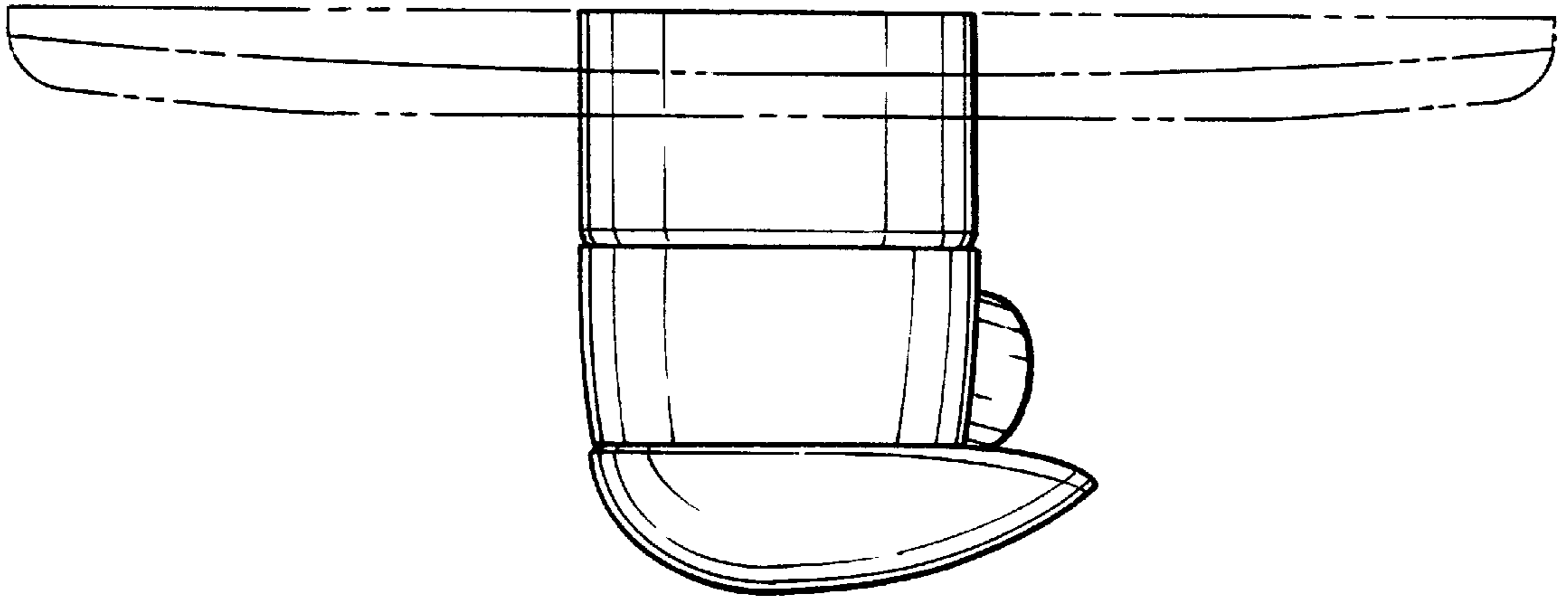


Fig-3

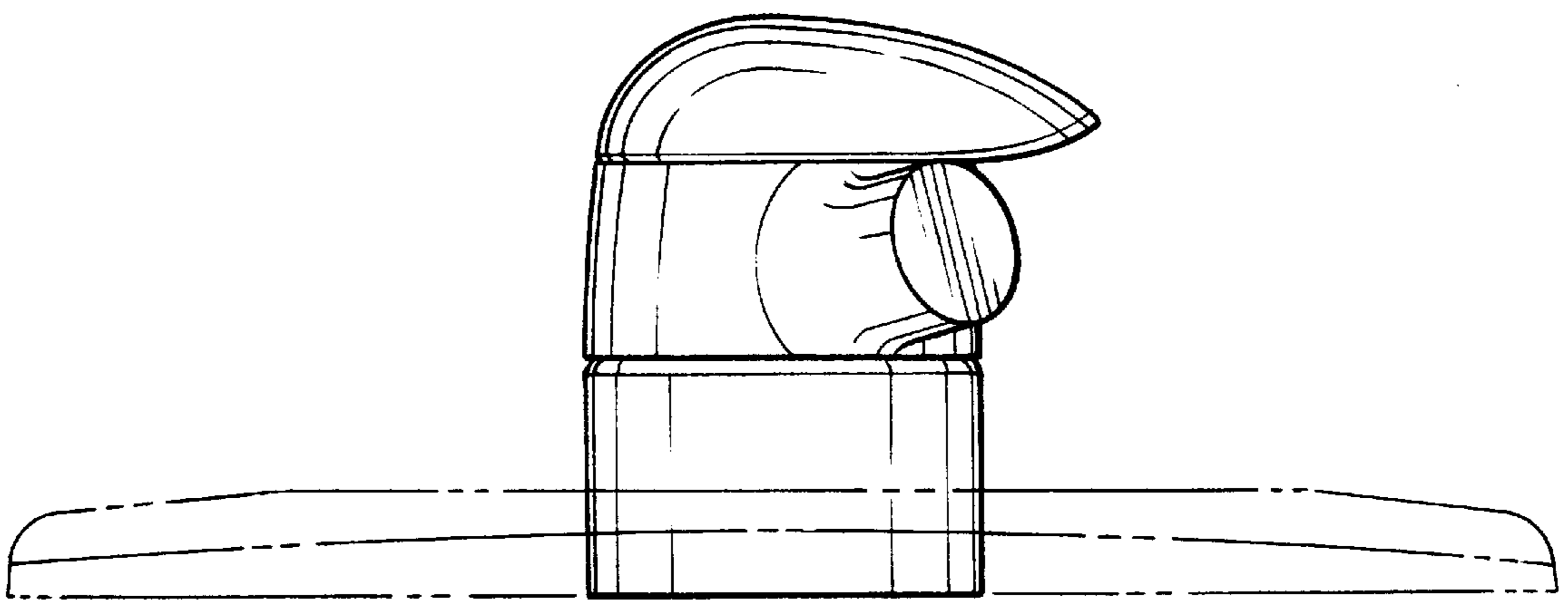


Fig-4

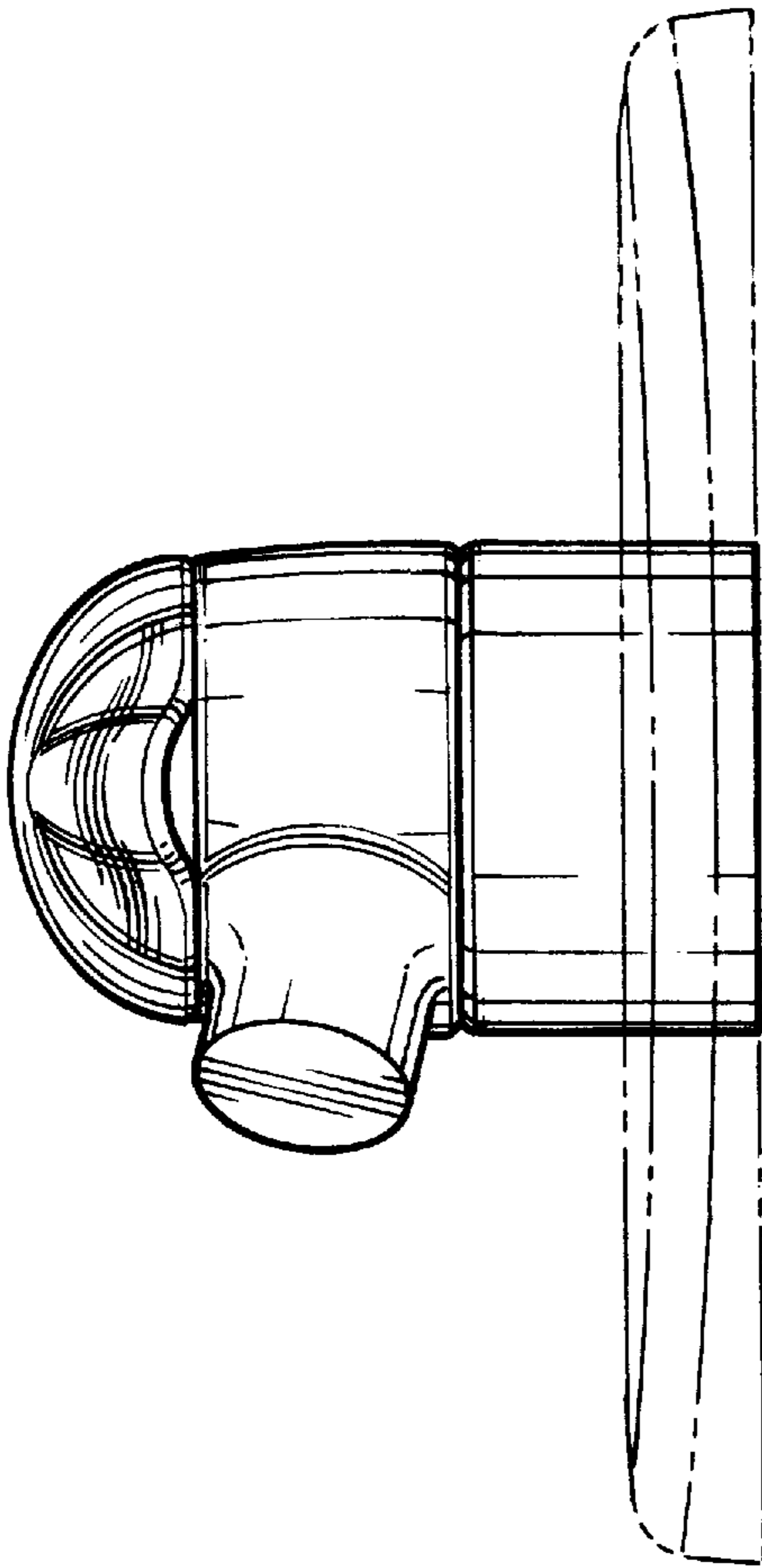


Fig-5

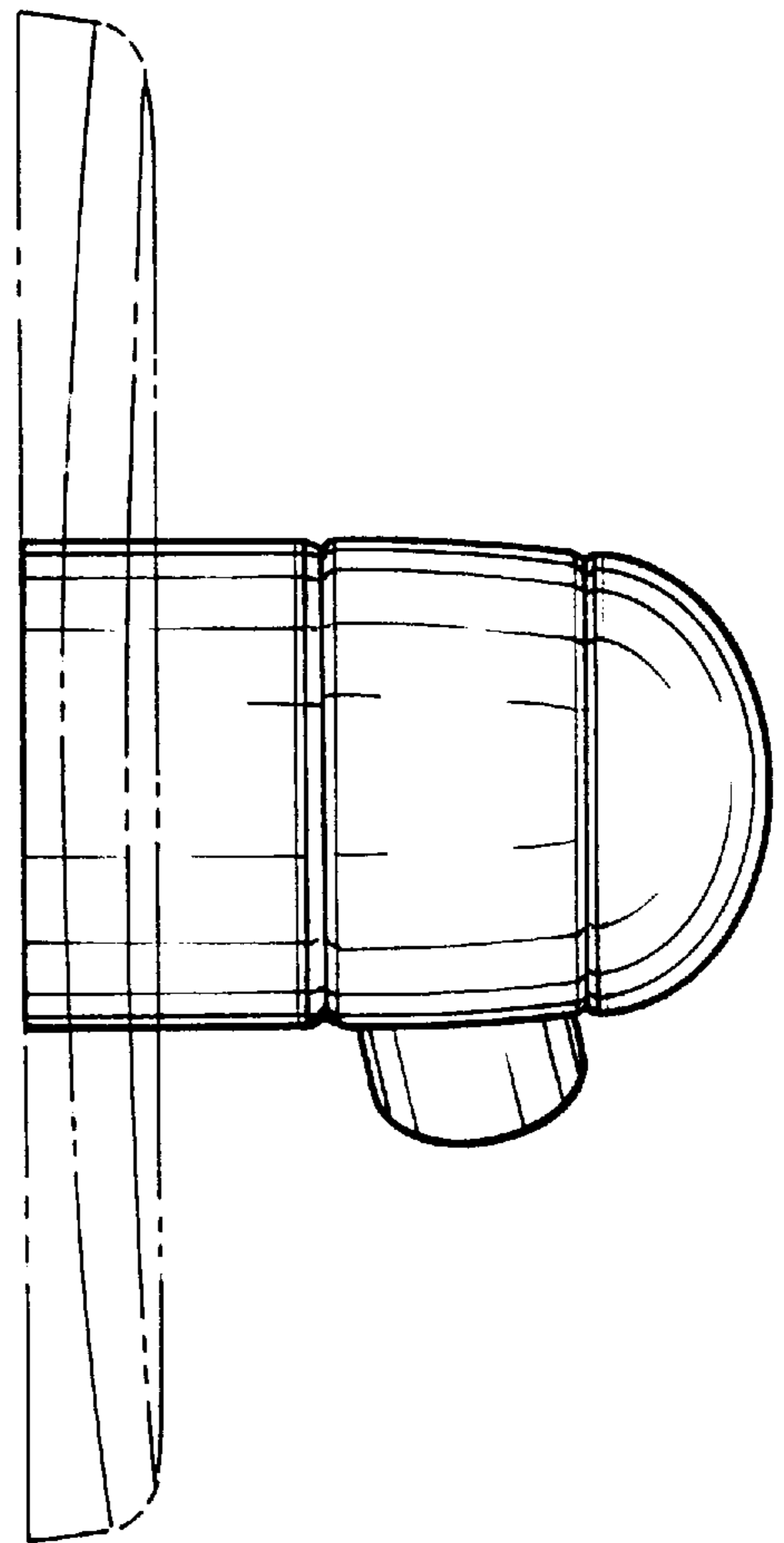


Fig-6