



US00D402006S

United States Patent [19]

Hill et al.

[11] **Patent Number:** **Des. 402,006**

[45] **Date of Patent:** ****Dec. 1, 1998**

[54] **SHOWER ESCUTCHEON AND HANDLE**

[75] Inventors: **Loran R. Hill**, Indianapolis; **Judd A. Lord**, Carmel, both of Ind.

[73] Assignee: **Masco Corporation of Indiana**, Indianapolis, Ind.

[**] Term: **14 Years**

[21] Appl. No.: **71,959**

[22] Filed: **Jun. 10, 1997**

[51] **LOC (6) Cl.** **23-01**

[52] **U.S. Cl.** **D23/254**

[58] **Field of Search** D23/238-243,
D23/250-254; D8/350, 352; 292/357; 4/675-678

[56] **References Cited**

U.S. PATENT DOCUMENTS

D. 285,107 8/1986 Ogilvie D23/254
D. 285,108 8/1986 Ogilvie D23/254

D. 285,245 8/1986 Ogilvie D23/254
D. 345,004 3/1994 Bengtson D23/254
D. 355,021 1/1995 Schott et al. D23/254

Primary Examiner—Louis S. Zarfaz
Assistant Examiner—Eric Watterson
Attorney, Agent, or Firm—Myron B. Kapustij; Malcolm L. Sutherland

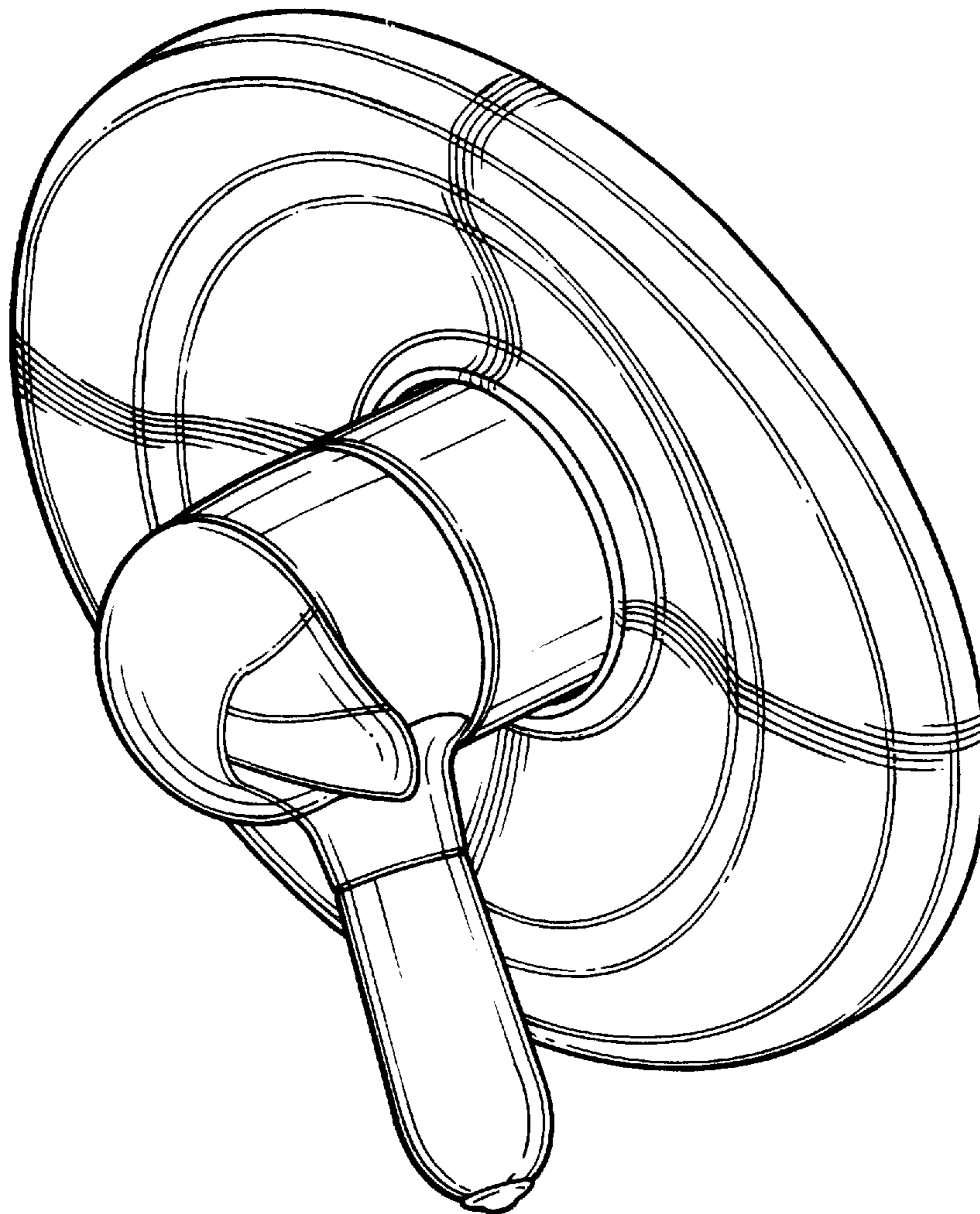
[57] **CLAIM**

The ornamental design for a shower escutcheon and handle, as shown and described.

DESCRIPTION

FIG. 1 is a perspective view of a shower escutcheon and handle showing our new design;
FIG. 2 is a front elevational view thereof;
FIG. 3 is a top plan view thereof;
FIG. 4 is a bottom plan view thereof;
FIG. 5 is a left side elevational view thereof; and,
FIG. 6 is a right side elevational view thereof.

1 Claim, 3 Drawing Sheets



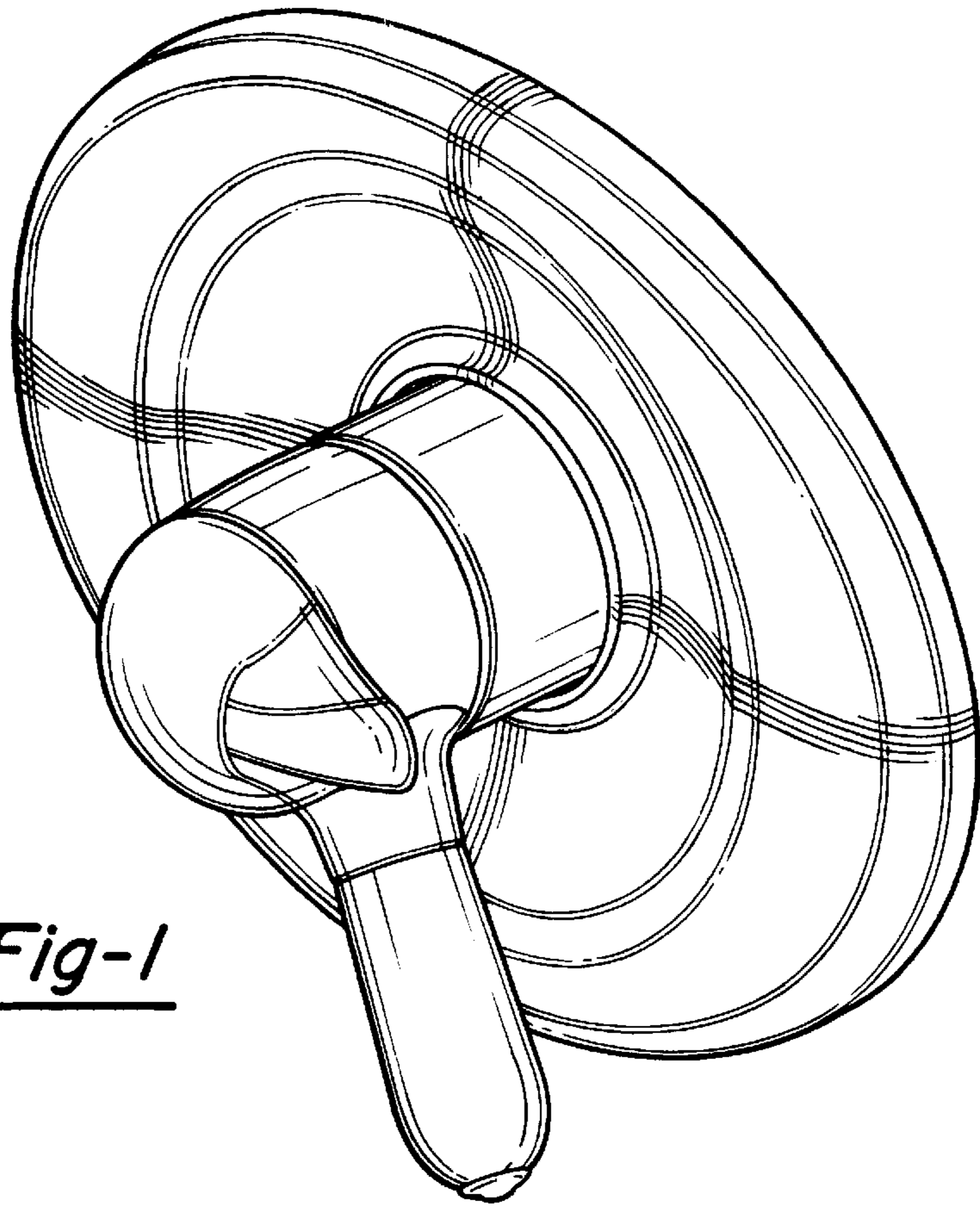


Fig-1

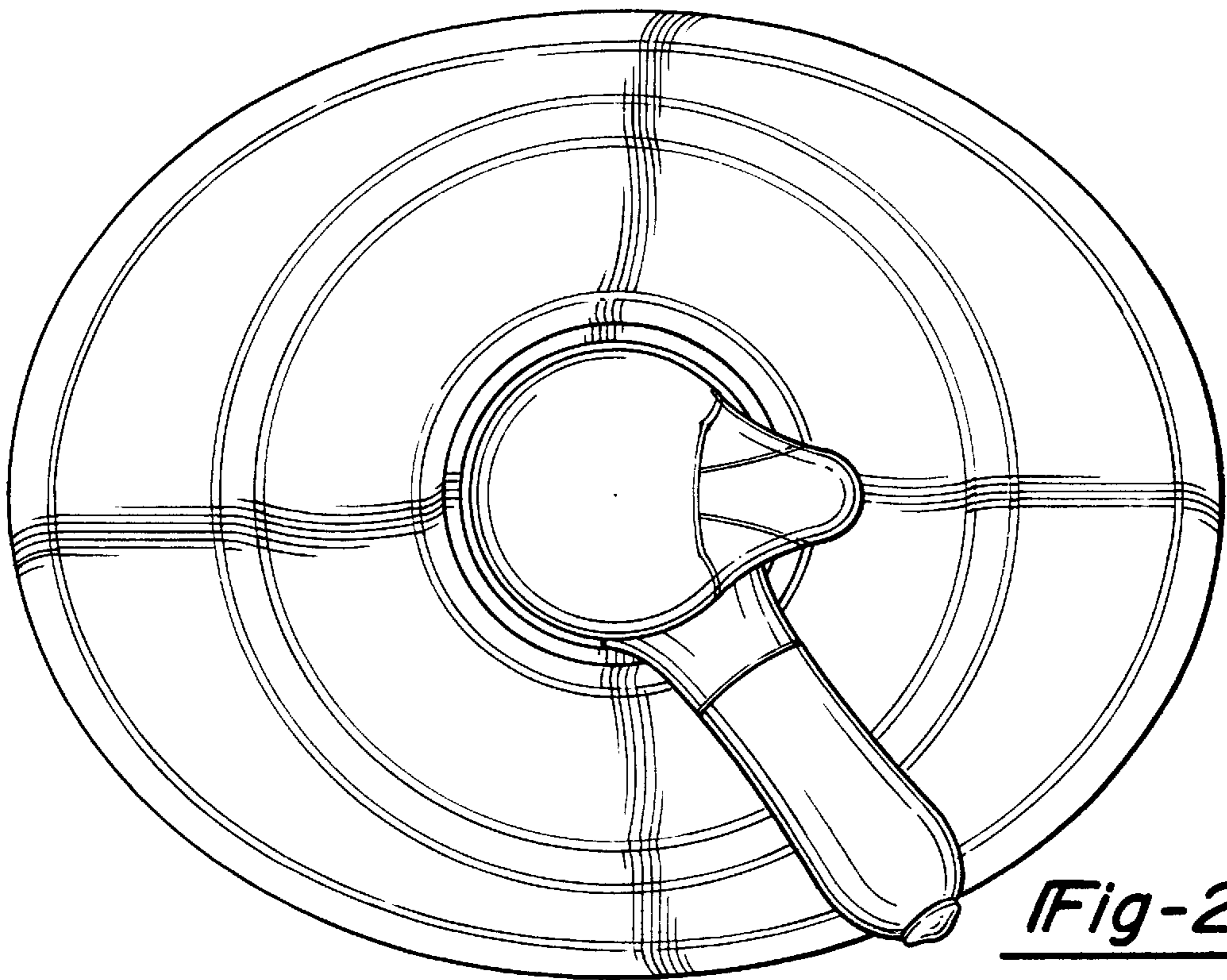


Fig-2

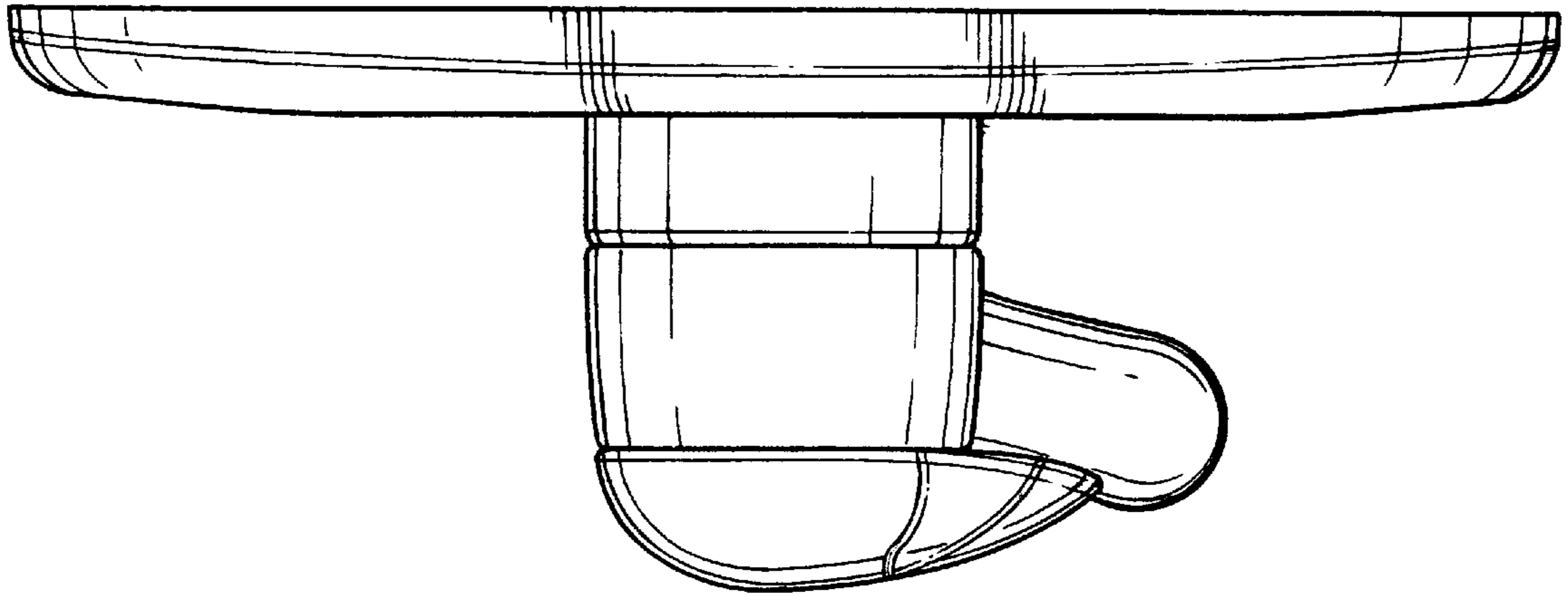


Fig-3

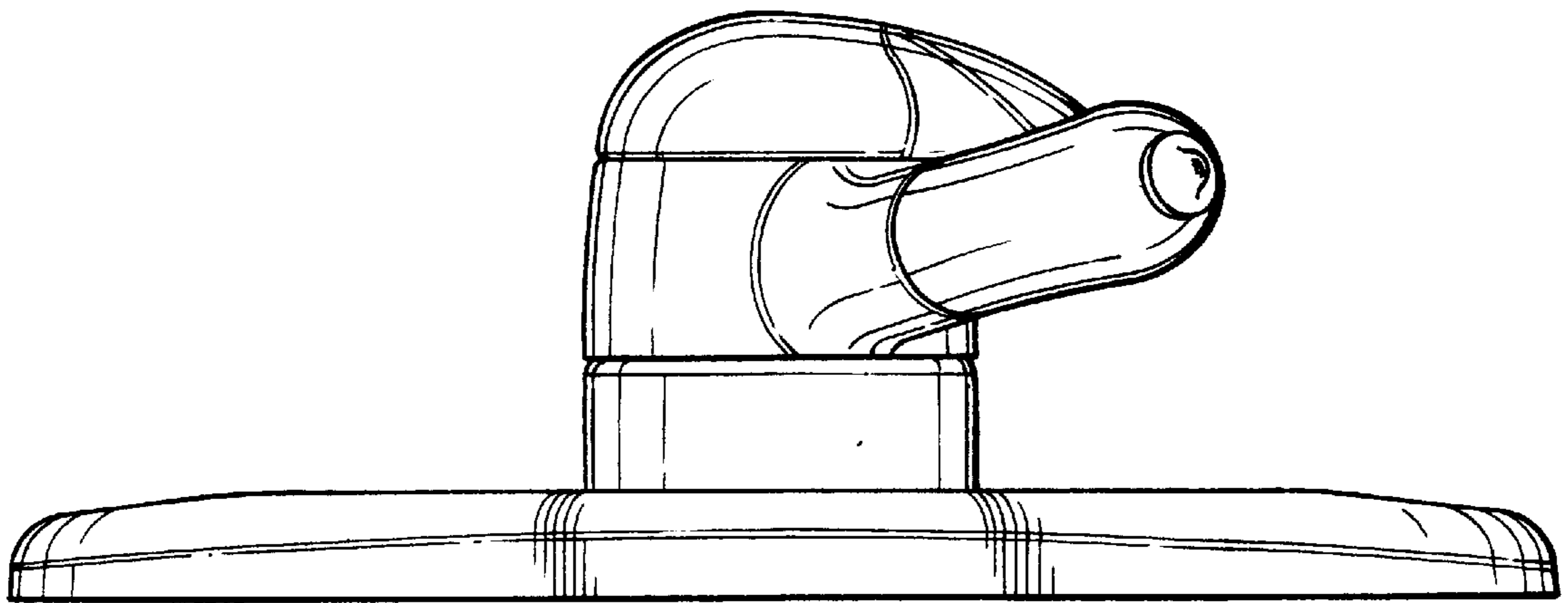


Fig-4

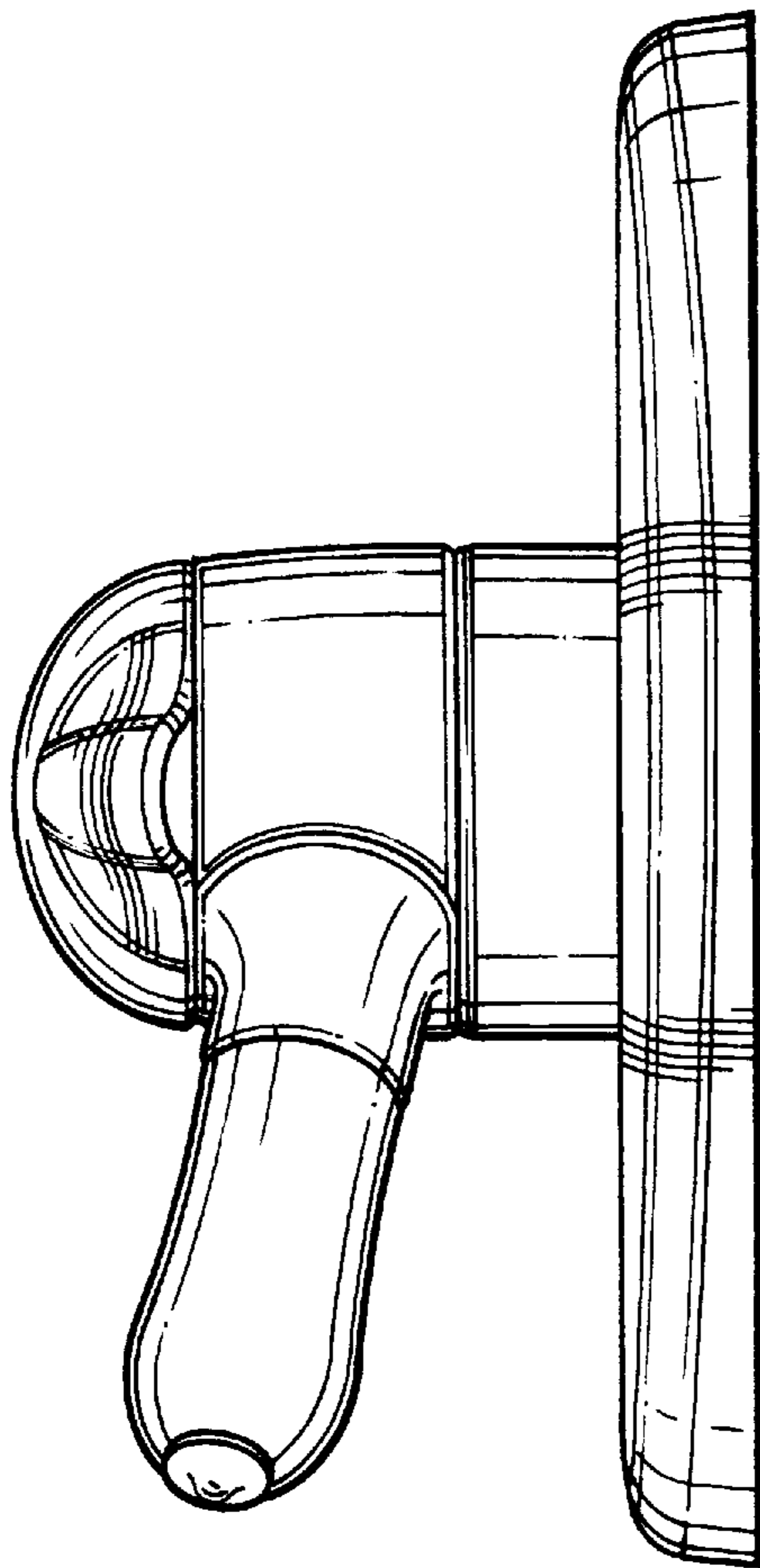


Fig-5

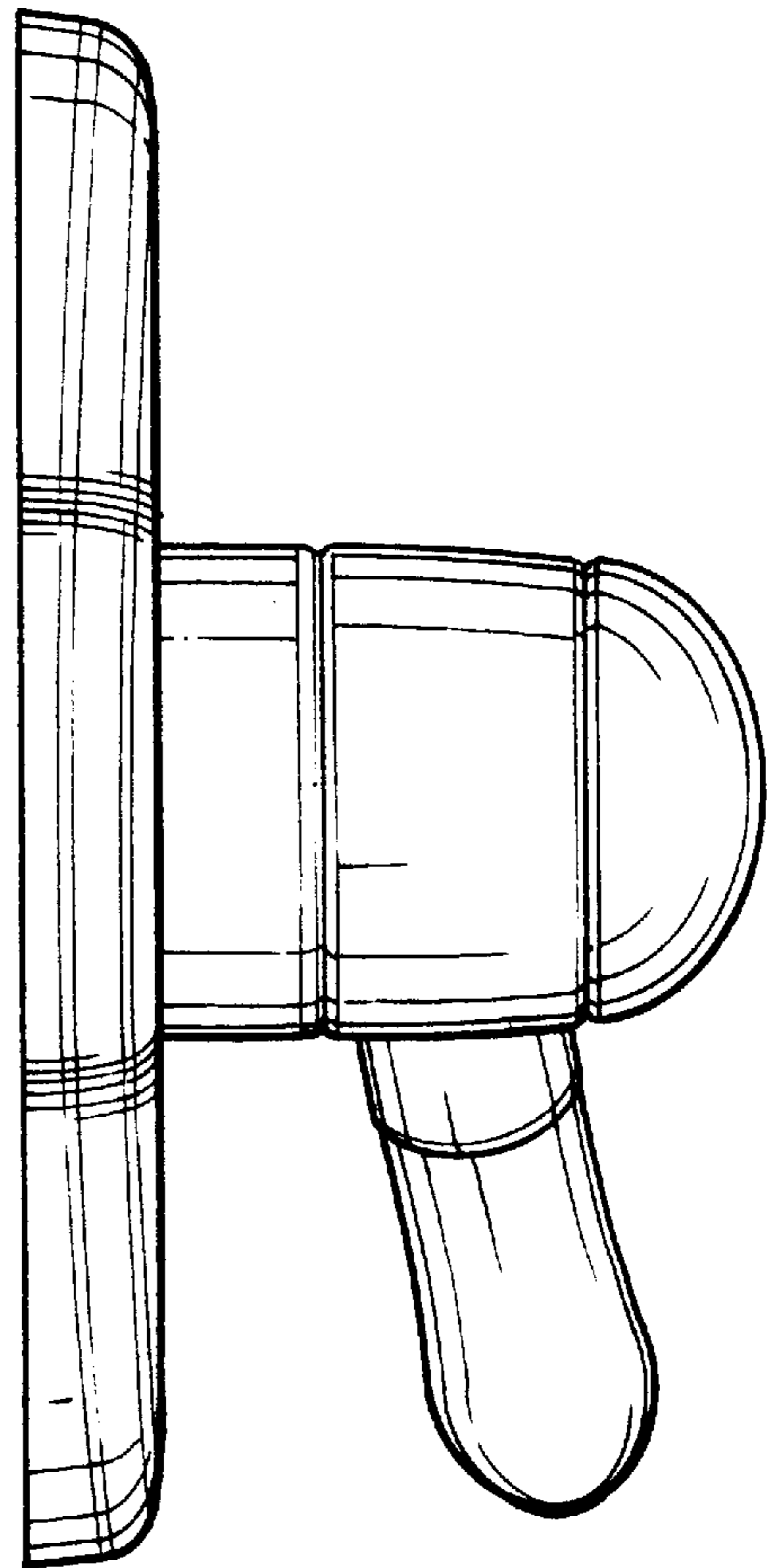


Fig-6