



US00D402002S

# United States Patent [19] Gottwald

[11] **Patent Number:** **Des. 402,002**

[45] **Date of Patent:** **\*\*Dec. 1, 1998**

[54] **BIDET FAUCET**

[75] Inventor: **Adolf Gottwald**, Iserlohn, Germany

[73] Assignee: **Friedrich Grohe AG**, Hemer, Germany

[\*\*] Term: **14 Years**

[21] Appl. No.: **72,334**

[22] Filed: **Jun. 12, 1997**

[30] **Foreign Application Priority Data**

Jan. 16, 1997 [DE] Germany ..... M 97 00 386.7

[51] **LOC (6) Cl.** ..... **23-01**

[52] **U.S. Cl.** ..... **D23/241**

[58] **Field of Search** ..... D23/238-243,  
D23/250-257; 4/675-678; 16/110 R, 111,  
113, 121, 125

[56] **References Cited**

**U.S. PATENT DOCUMENTS**

D. 318,320 7/1991 Zerlia ..... D23/261

- D. 339,410 9/1993 Gottwald ..... D23/241
- D. 339,629 9/1993 Gottwald ..... D23/241
- D. 339,848 9/1993 Gottwald ..... D23/241
- D. 353,187 12/1994 Formgren ..... D23/241

*Primary Examiner*—Doris V. Coles  
*Assistant Examiner*—Eric Watterson  
*Attorney, Agent, or Firm*—Herbert Dubno

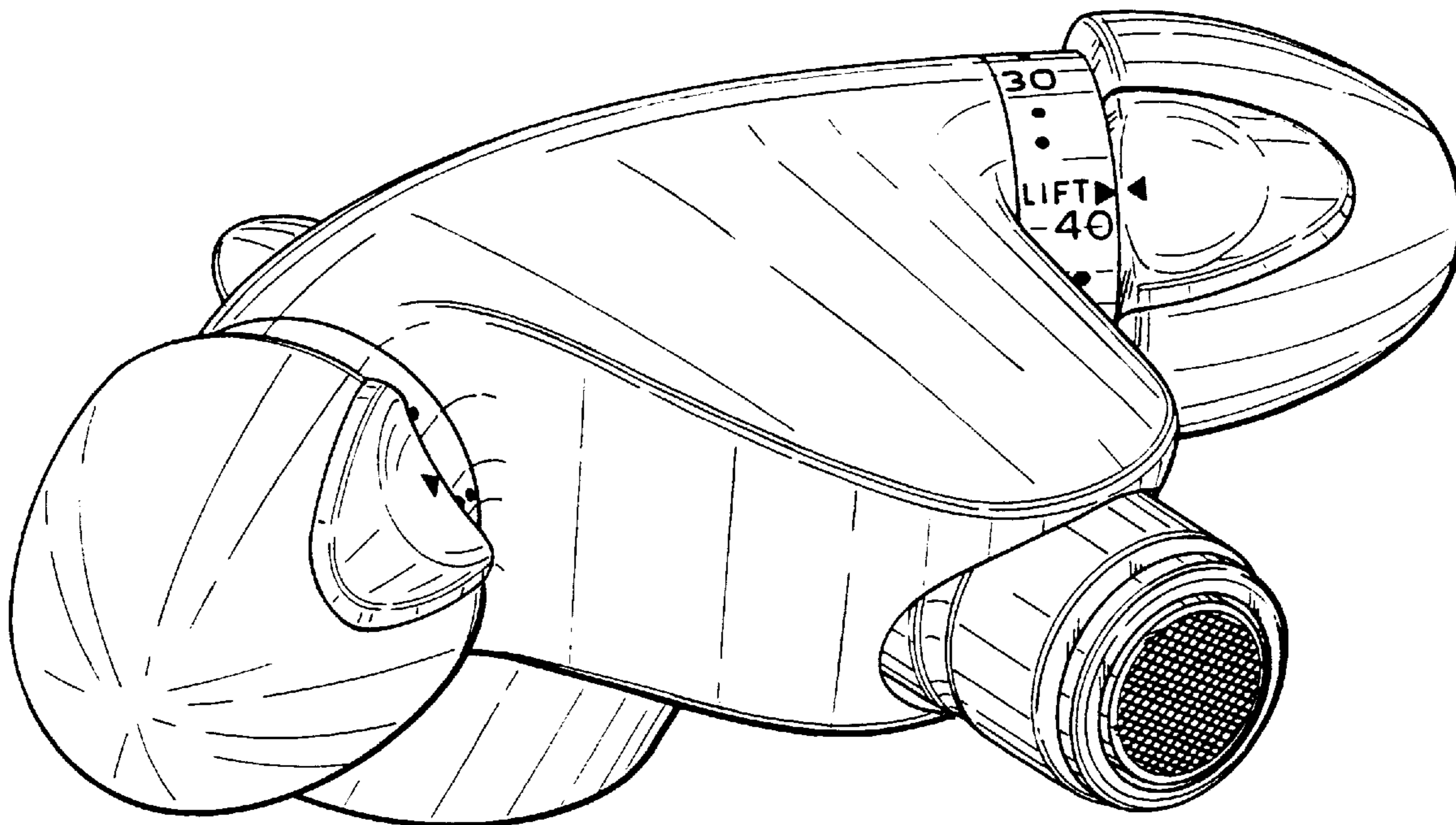
[57] **CLAIM**

The ornamental design for a bidet faucet, as shown and described.

**DESCRIPTION**

FIG. 1 is a top, front, left side perspective view of a bidet faucet showing my new design;  
FIG. 2 is a left side elevational view thereof, the right side being mirror symmetrical thereto;  
FIG. 3 is a top view thereof;  
FIG. 4 is a front elevational view thereof;  
FIG. 5 is a rear view thereof; and,  
FIG. 6 is a bottom view thereof.

**1 Claim, 3 Drawing Sheets**



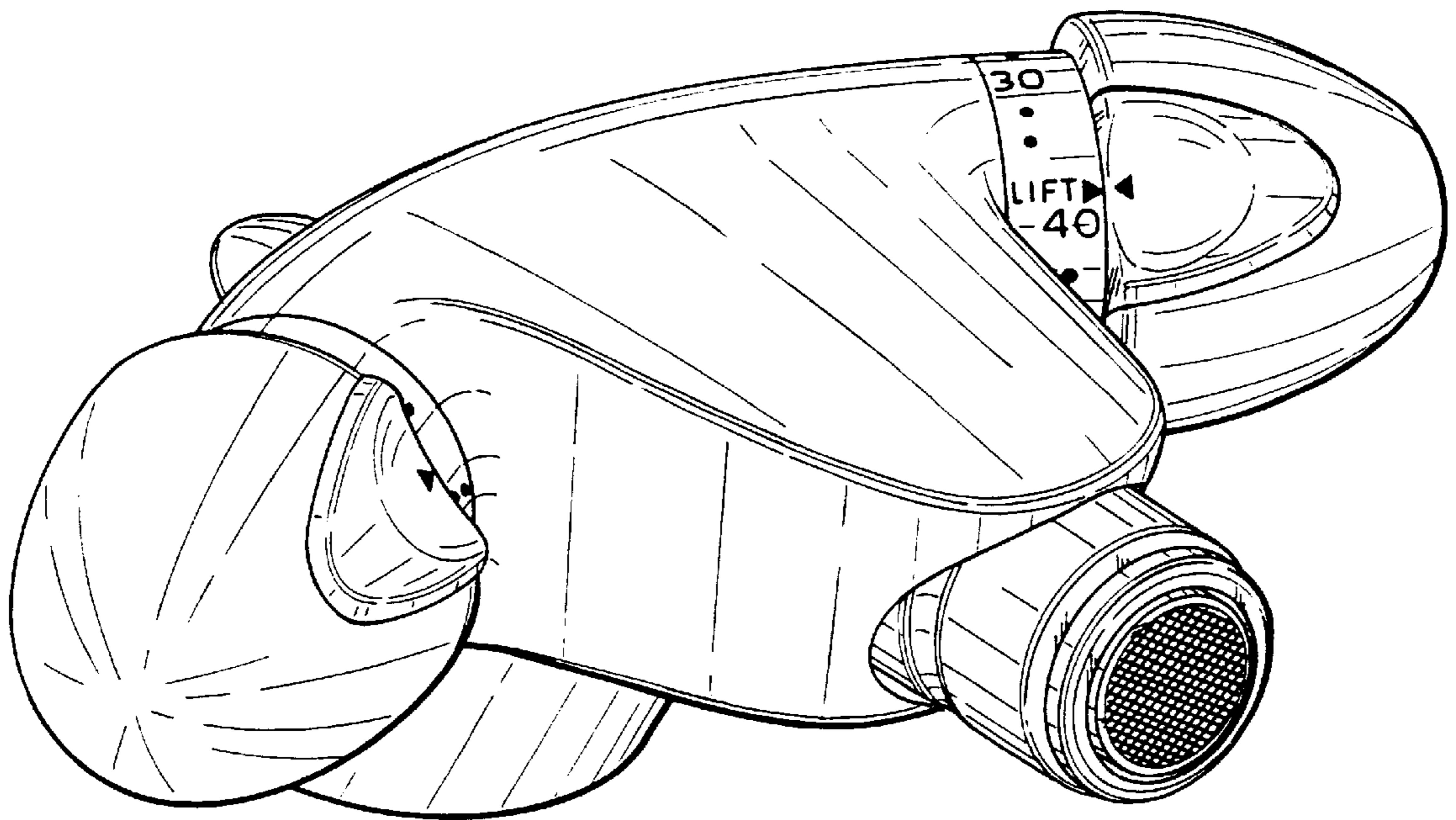


FIG. 1

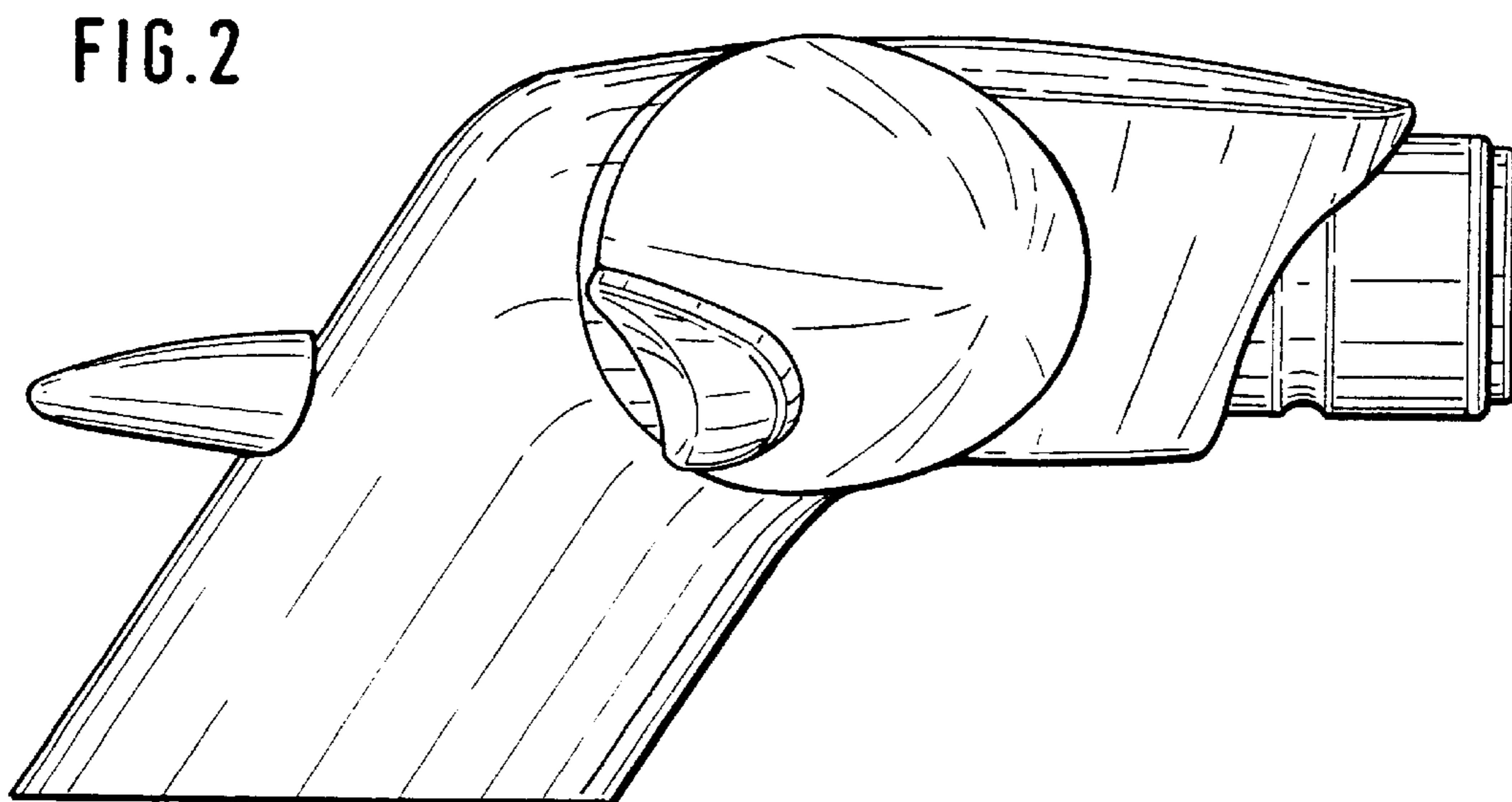


FIG. 2

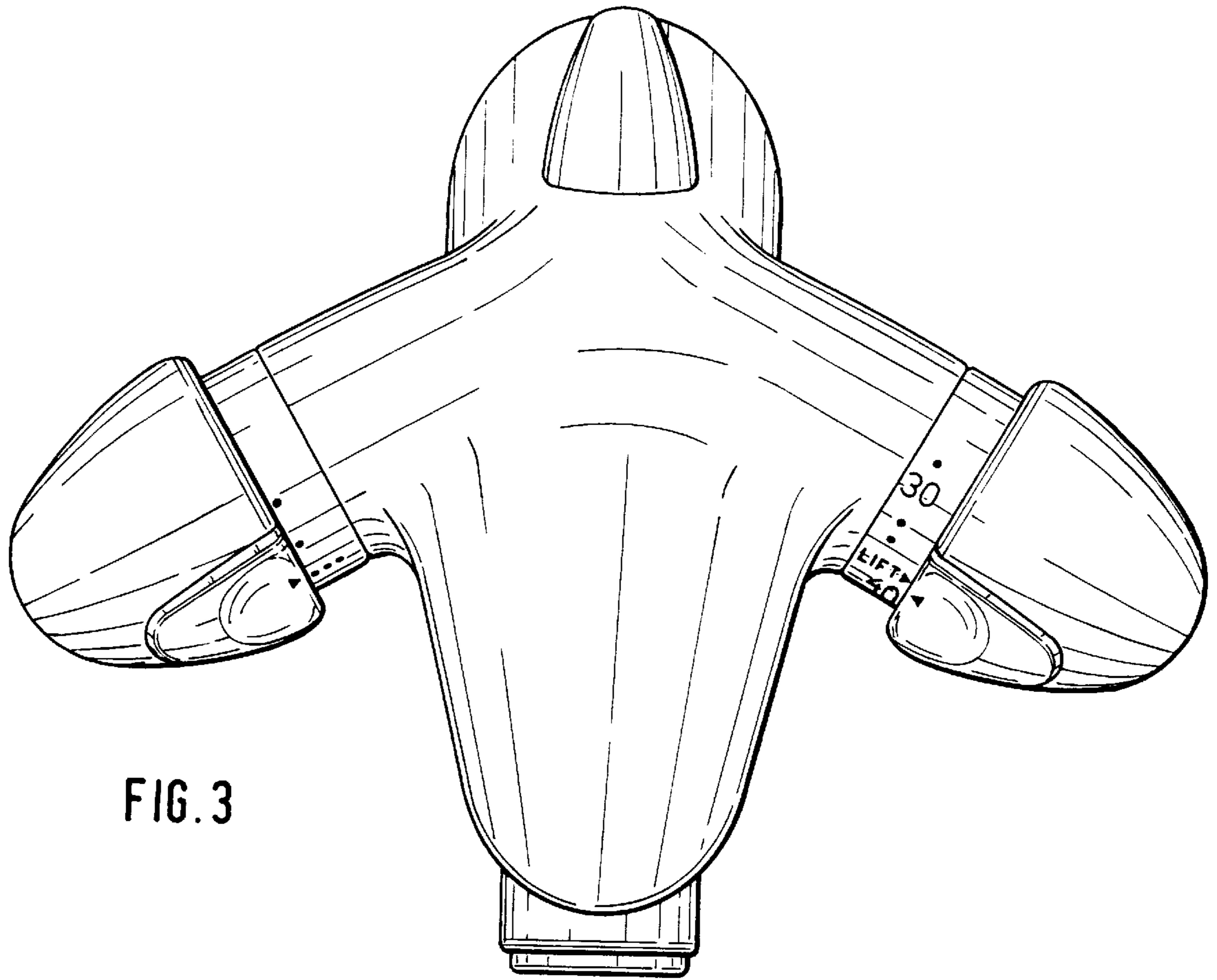


FIG. 3

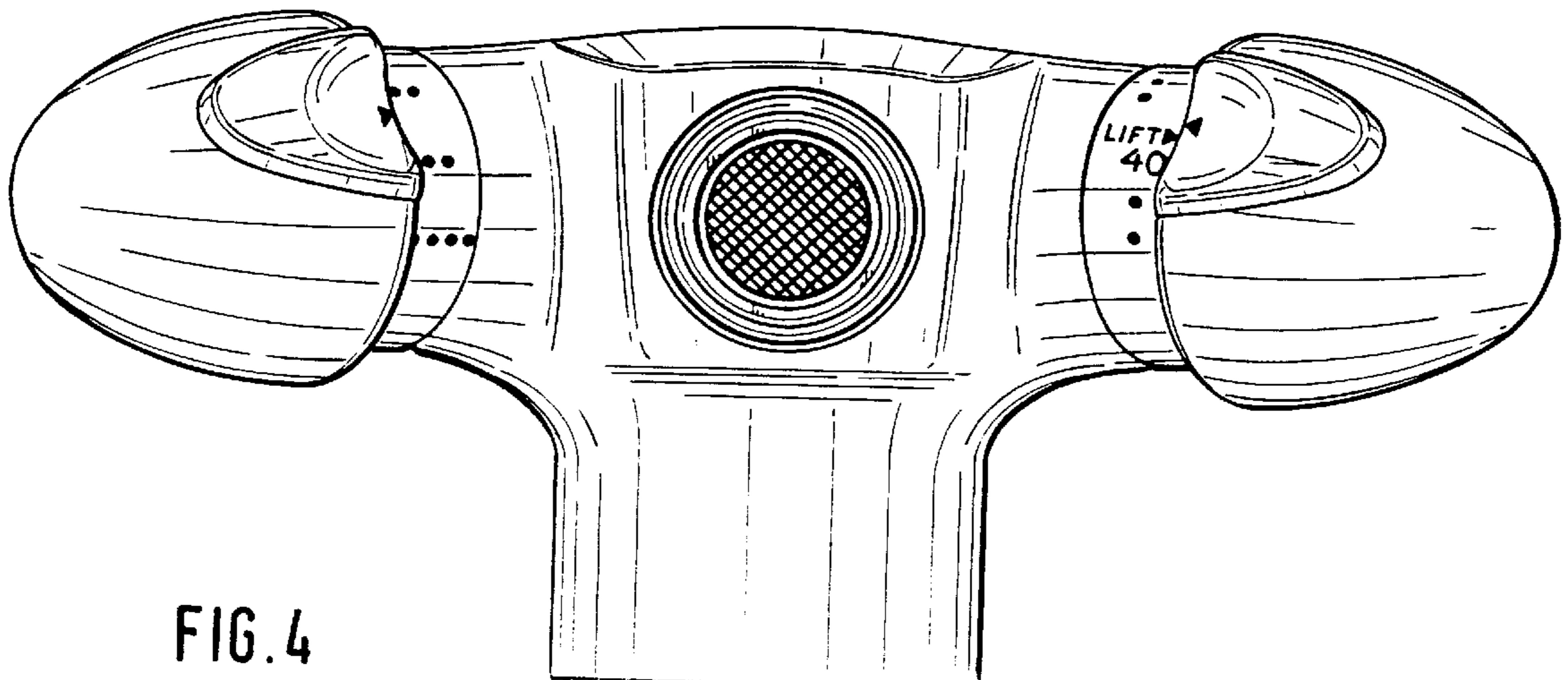


FIG. 4

