



US00D401996S

United States Patent [19]

Asano et al.

[11] Patent Number: Des. 401,996

[45] Date of Patent: **Dec. 1, 1998

[54] FISHING REEL BODY

[75] Inventors: **Shinichi Asano**, Musashino; **Akira Yamaguchi**, Higashikurume, both of Japan

[73] Assignee: **Daiwa Seiko Inc.**, Tokyo, Japan

[**] Term: **14 Years**

[21] Appl. No.: **73,231**

[22] Filed: **Jun. 25, 1997**

[51] **LOC (6) Cl.** **22-05**

[52] **U.S. Cl.** **D22/141**

[58] **Field of Search** D22/140, 141; 242/230-233, 245, 246, 283, 279

[56] References Cited

U.S. PATENT DOCUMENTS

D. 314,808	2/1991	Yoshikawa	D22/141
D. 327,312	6/1992	Myojo	D22/414
D. 336,677	6/1993	Shiozaki	D22/141
D. 352,760	11/1994	Terada et al.	D22/141
D. 352,761	11/1994	Sakurai	D22/141
D. 352,763	11/1994	Myojo et al.	D22/141
D. 355,472	2/1995	Robbins	D22/141
5,540,397	7/1996	Yoshikawa	242/283
5,673,867	10/1997	Takeuchi	242/231

FOREIGN PATENT DOCUMENTS

807623	2/1991	Japan .
921121	3/1995	Japan .
921121 (1)	3/1996	Japan .
921121 (2)	3/1996	Japan .
921121 (3)	4/1996	Japan .
807623 (1)	11/1996	Japan .
921121 (4)	11/1996	Japan .

Primary Examiner—Doris V. Coles
Attorney, Agent, or Firm—Longacre & White

[57] CLAIM

The ornamental design for a fishing reel body, as shown and described.

DESCRIPTION

FIG. 1 is a front and right side perspective view of a fishing reel body showing our new design; FIG. 2 is a front elevational view thereof; FIG. 3 is a top plan view thereof; FIG. 4 is a right side elevational view thereof; FIG. 5 is a left side elevational view thereof; FIG. 6 is a rear elevational view thereof; and, FIG. 7 is a bottom view thereof.

The broken line showing of environment in FIGS.1-7 is for illustrative purposes only and forms no part of the claimed design.

1 Claim, 7 Drawing Sheets

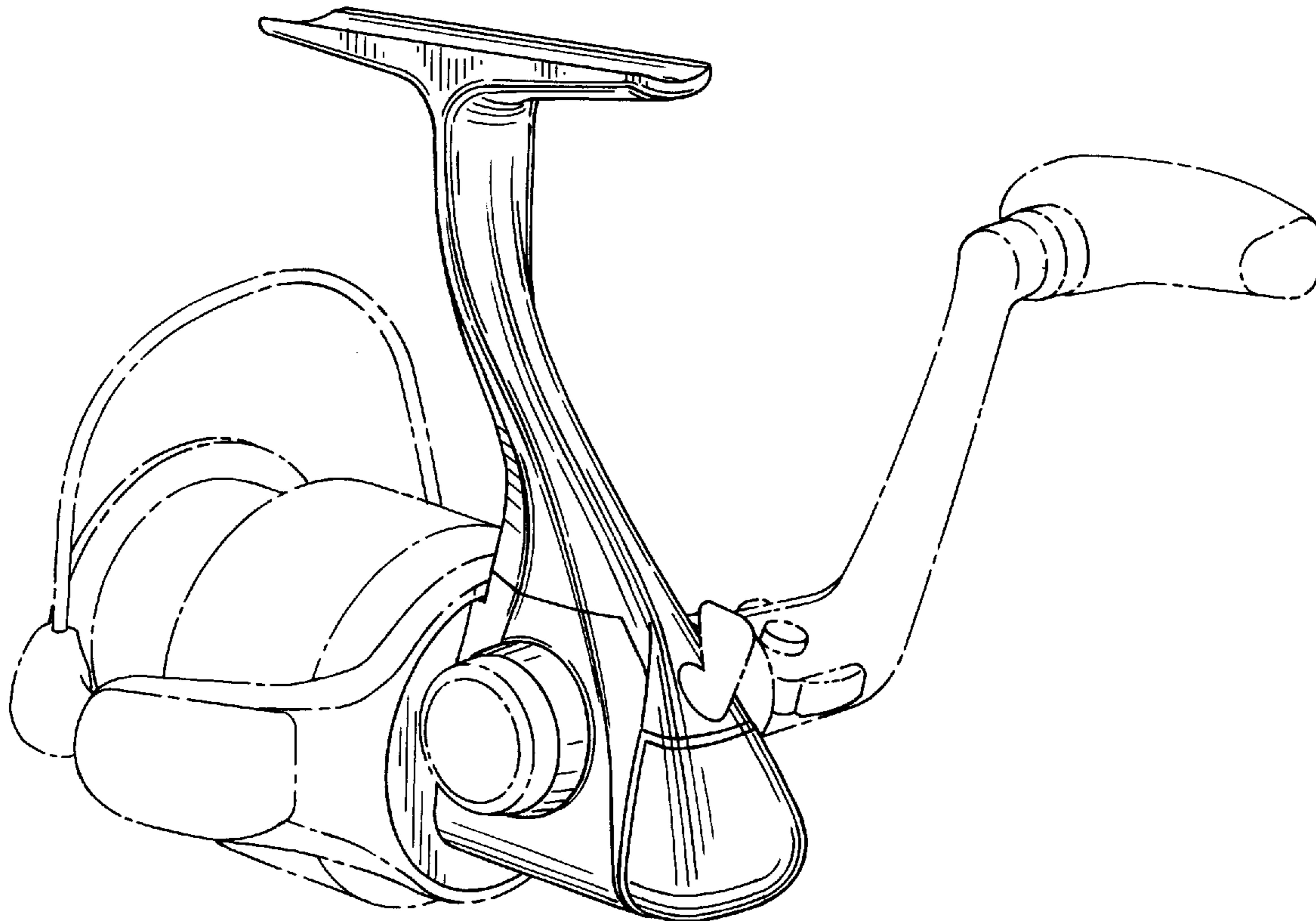


FIG. 1

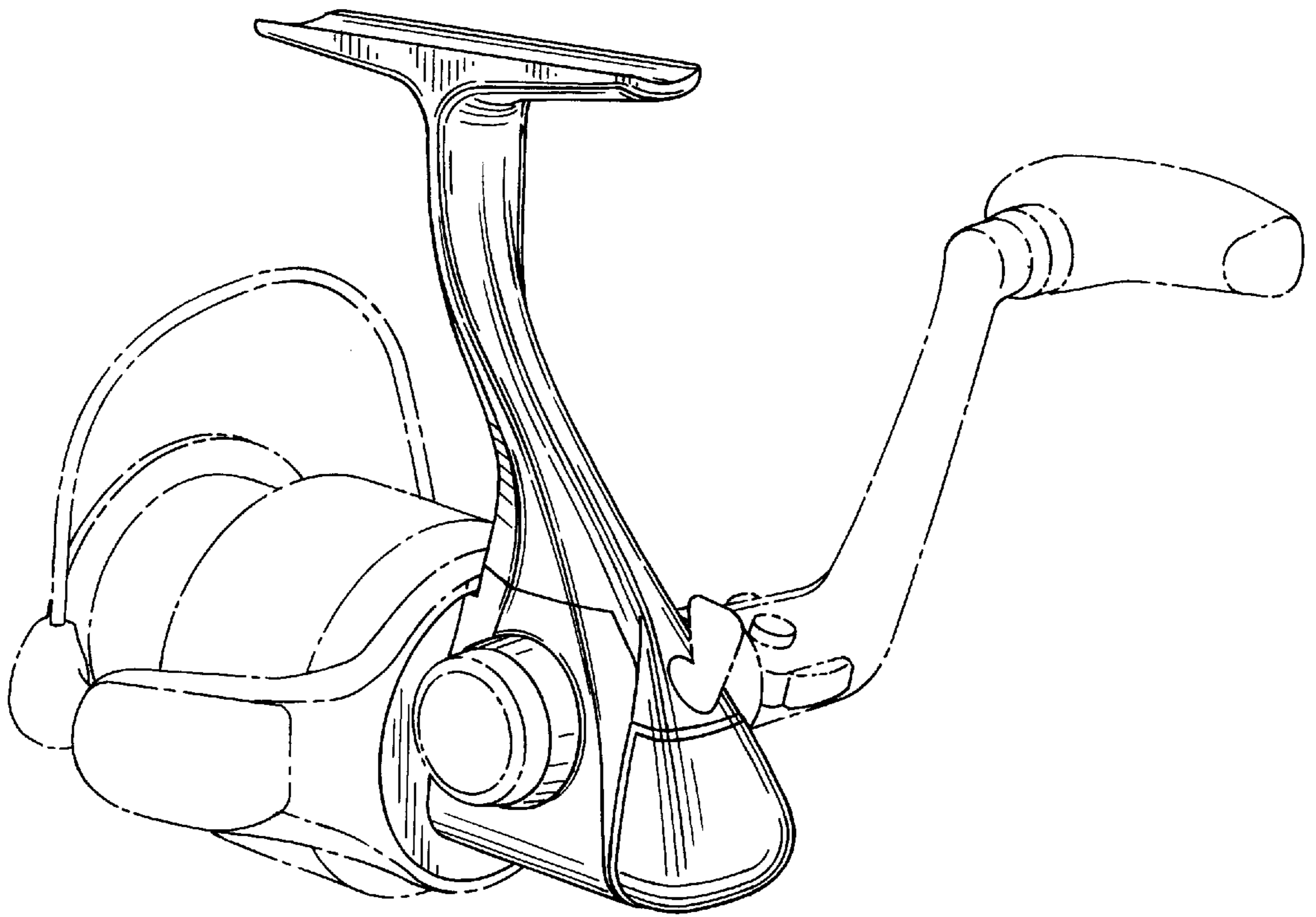


FIG. 2

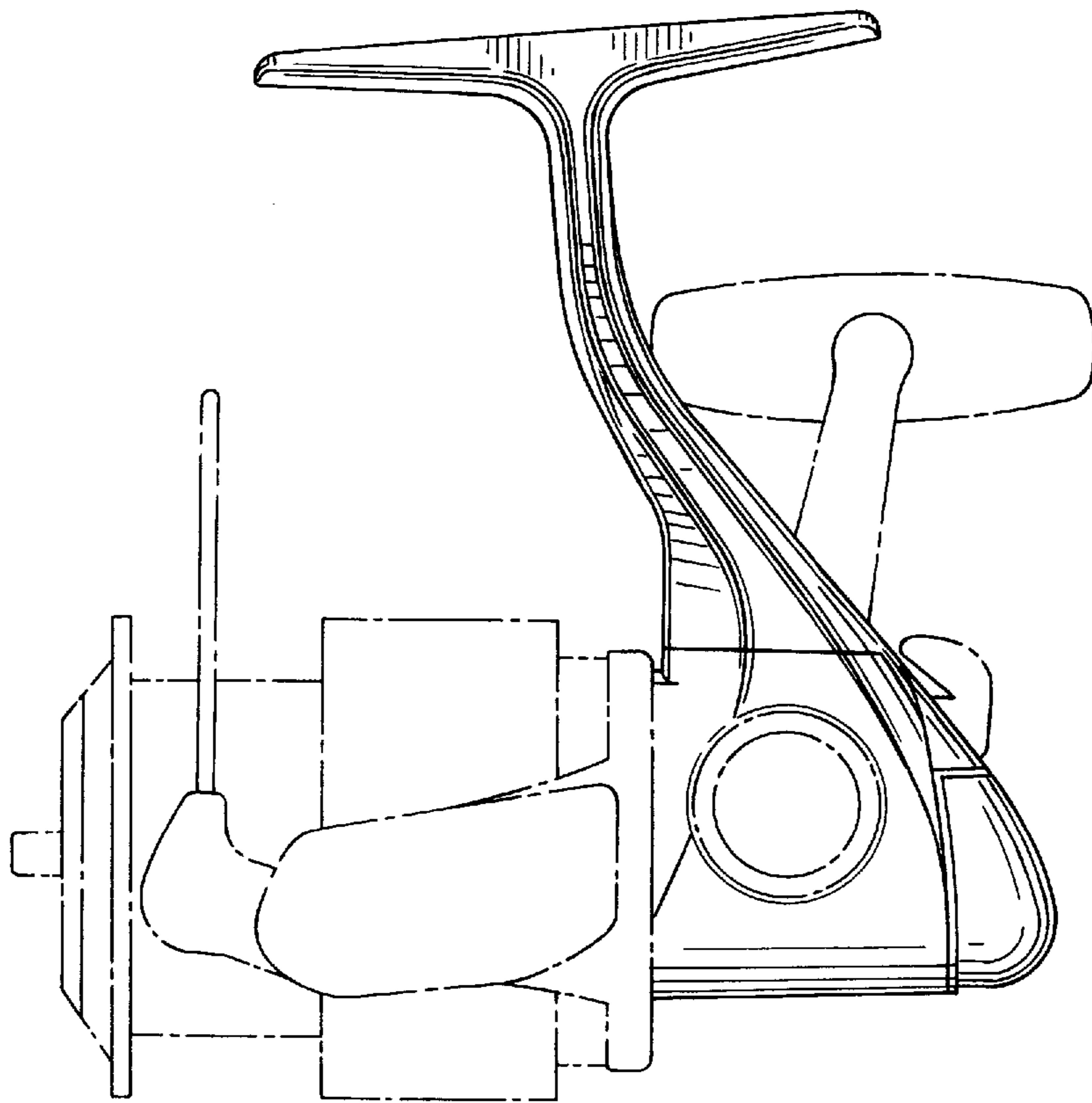


FIG. 3

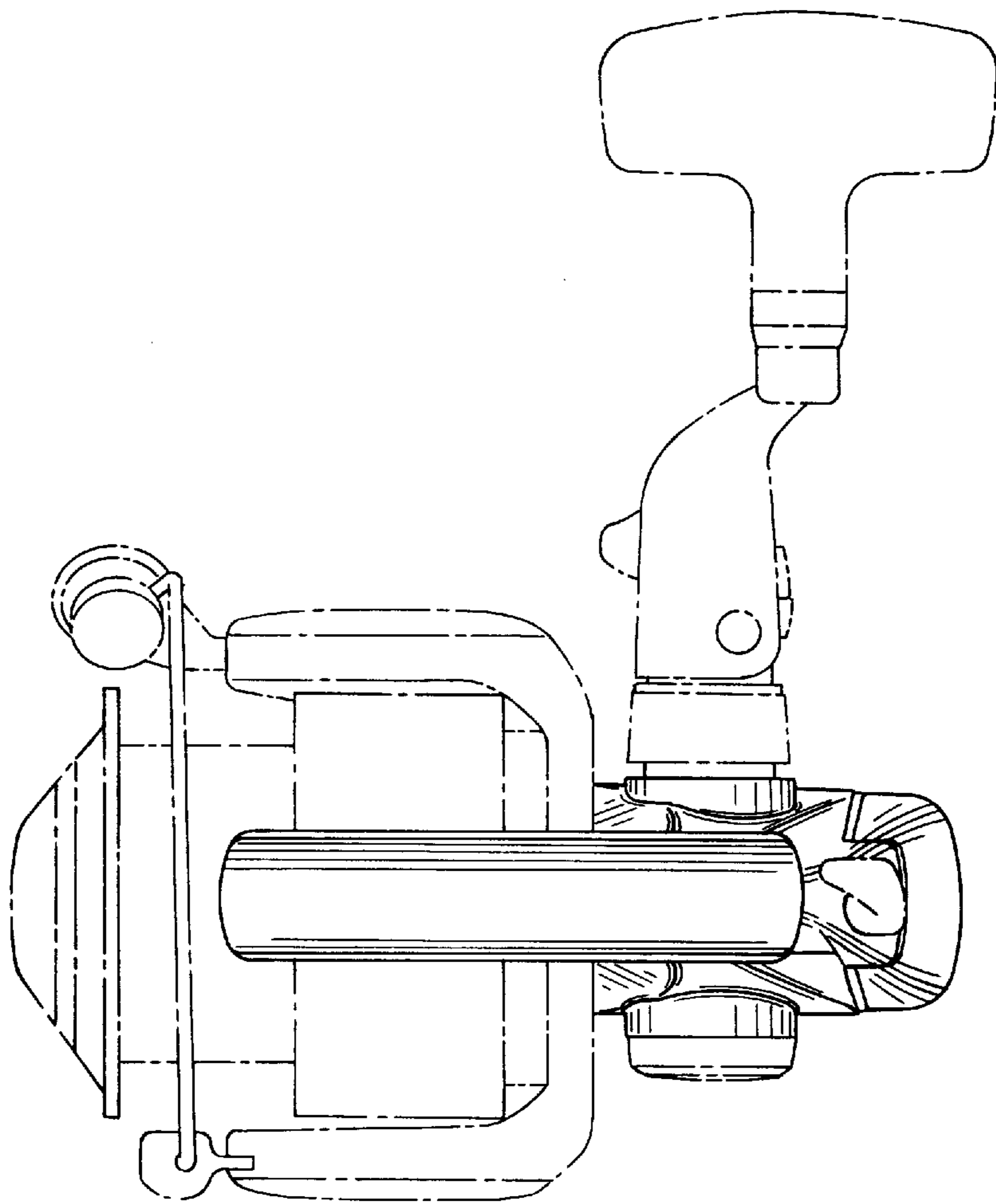


FIG. 4

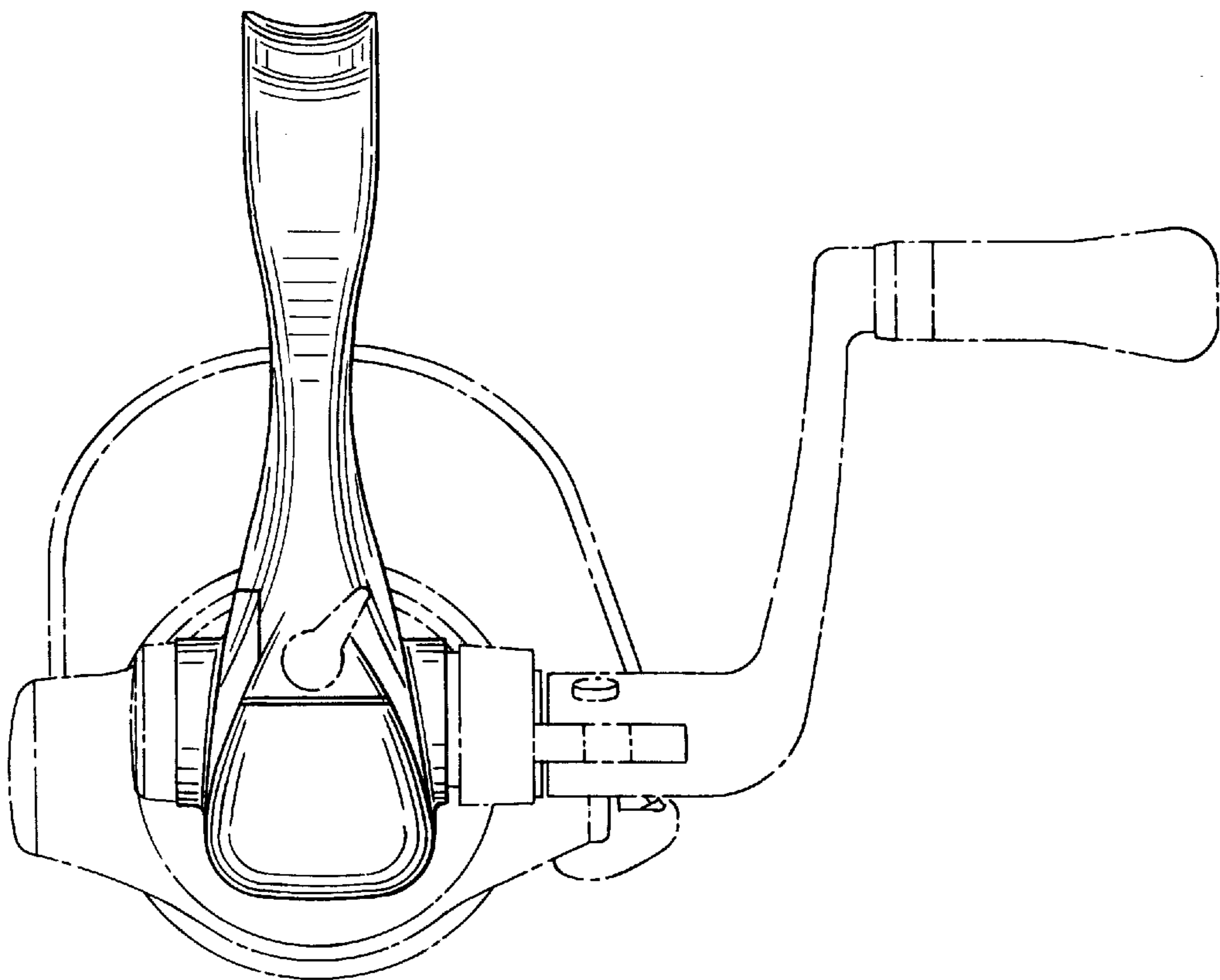


FIG. 5

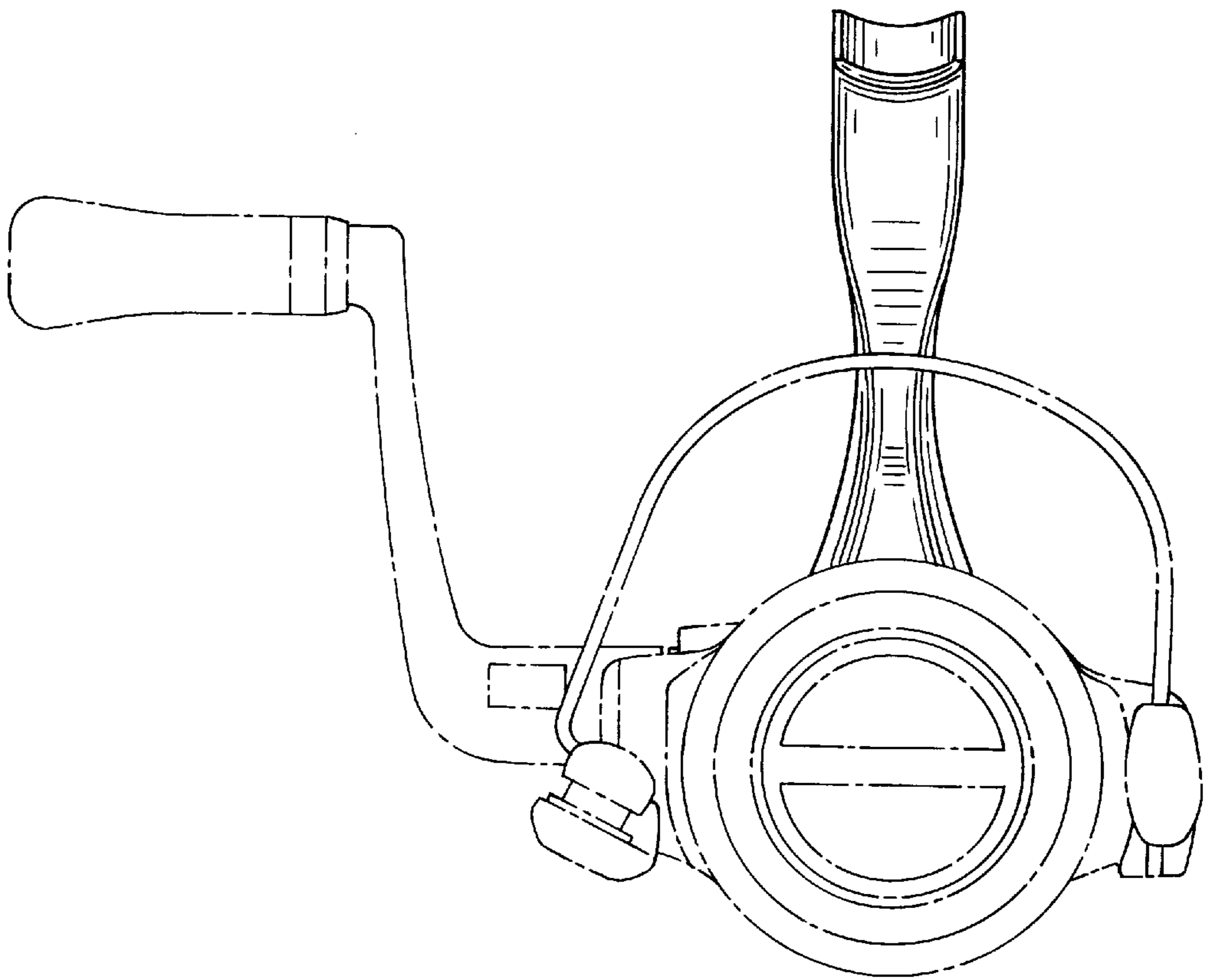


FIG. 6

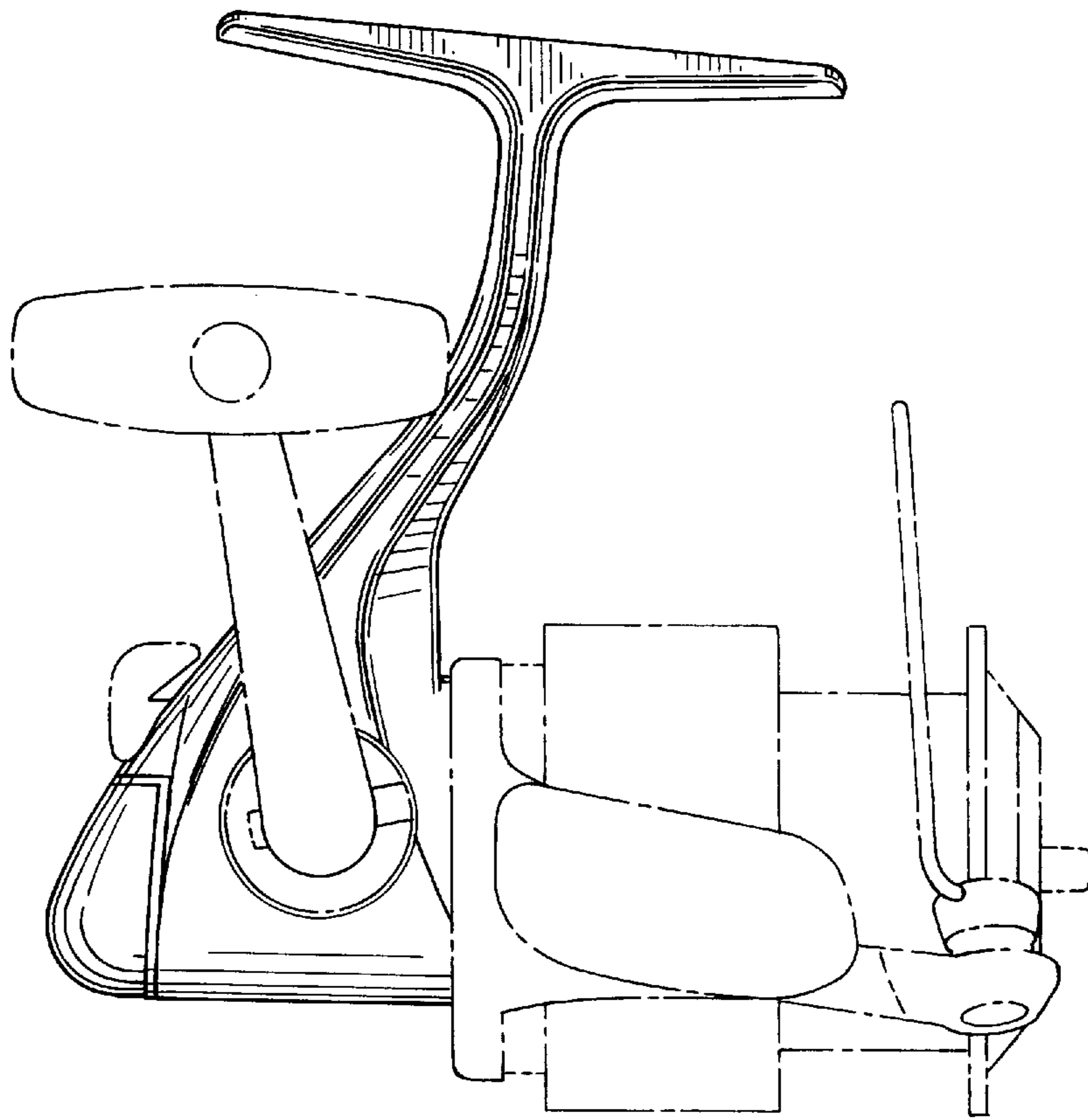


FIG. 7

