



US00D401990S

**United States Patent** [19]  
**Berkebile**

[11] **Patent Number: Des. 401,990**  
[45] **Date of Patent: \*\*Dec. 1, 1998**

[54] **GOLF PUTTER HEAD**

[76] Inventor: **Ronald Berkebile**, 21549 N. 65 Ave.,  
Glendale, Ariz. 85308

[\*\*] Term: **14 Years**

[21] Appl. No.: **74,961**

[22] Filed: **Jul. 22, 1997**

[51] **LOC (6) Cl.** ..... **21-02**

[52] **U.S. Cl.** ..... **D21/738**

[58] **Field of Search** ..... D21/736-746;  
473/250-256, 340, 341

[56] **References Cited**

**U.S. PATENT DOCUMENTS**

|            |         |               |       |         |
|------------|---------|---------------|-------|---------|
| D. 264,367 | 5/1982  | Gida          | ..... | D21/738 |
| D. 362,705 | 9/1995  | Sprecher      | ..... | D21/738 |
| D. 368,292 | 3/1996  | Willoughby    | ..... | D21/738 |
| D. 382,614 | 8/1997  | Powell et al. | ..... | D21/738 |
| 4,222,566  | 9/1980  | Berry         | ..... | 473/250 |
| 5,447,310  | 9/1995  | Jernigan      | ..... | 473/341 |
| 5,692,969  | 12/1997 | Scholler      | ..... | 473/340 |

*Primary Examiner*—Ted Shooman  
*Assistant Examiner*—Mitchell I. Siegel  
*Attorney, Agent, or Firm*—Harry M. Weiss; Jeffrey D. Moy;  
Harry M. Weiss & Associates, P.C.

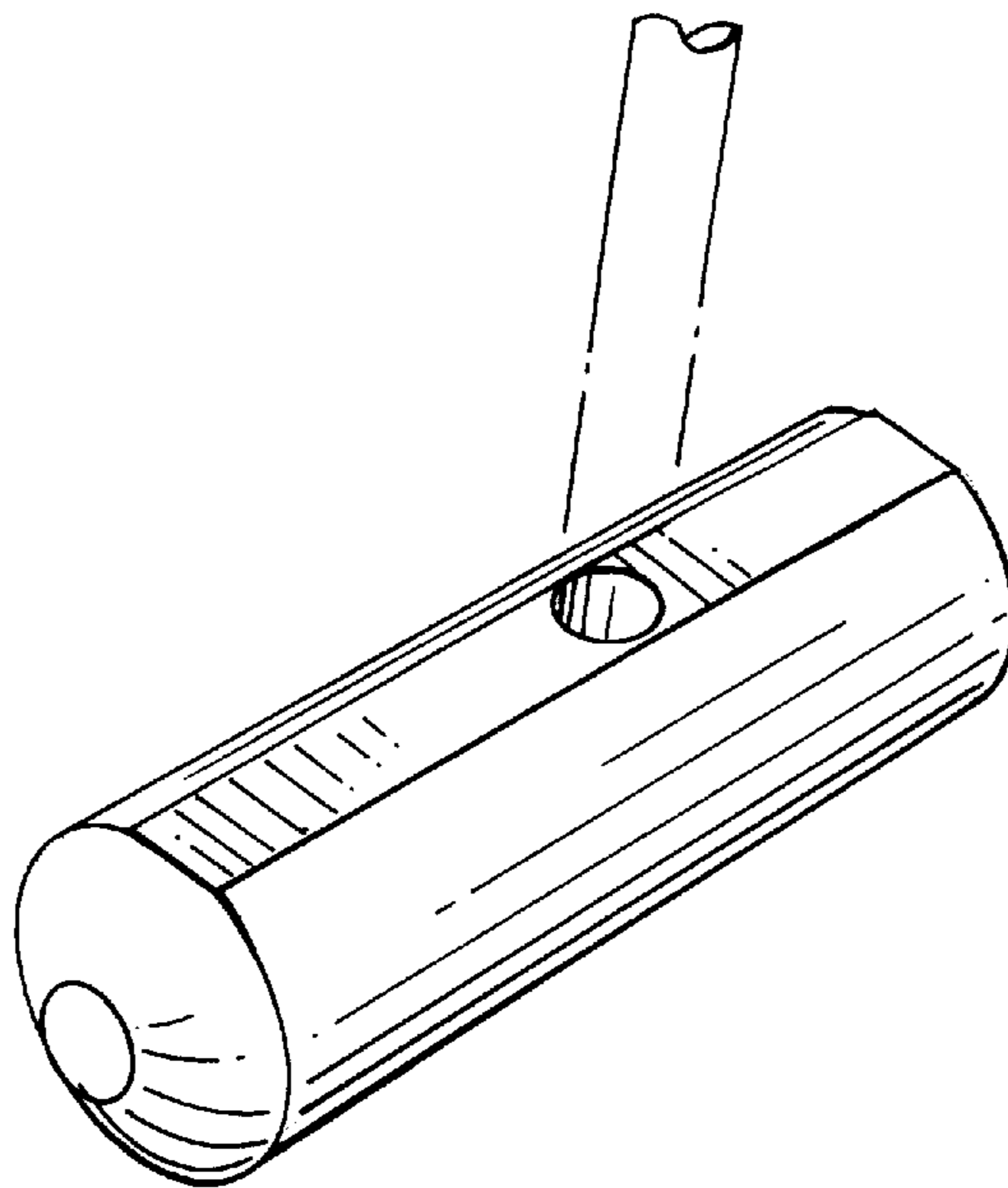
[57] **CLAIM**

The ornamental design for a golf putter head, as shown and described.

**DESCRIPTION**

FIG. 1 is a perspective view of the golf putter head showing my new design;  
FIG. 2 is a front view of the golf putter head hereof with the rear view being a mirror image of that shown;  
FIG. 3 is a left side view of the golf putter head with the right side view being a mirror image of that shown;  
FIG. 4 is a bottom plan view of the golf putter head hereof; and,  
FIG. 5 is a top plan view of the golf putter head hereof.  
The broken line showing of a fragmented shaft is for illustrative purposes only and forms no part of the claimed design.

**1 Claim, 1 Drawing Sheet**



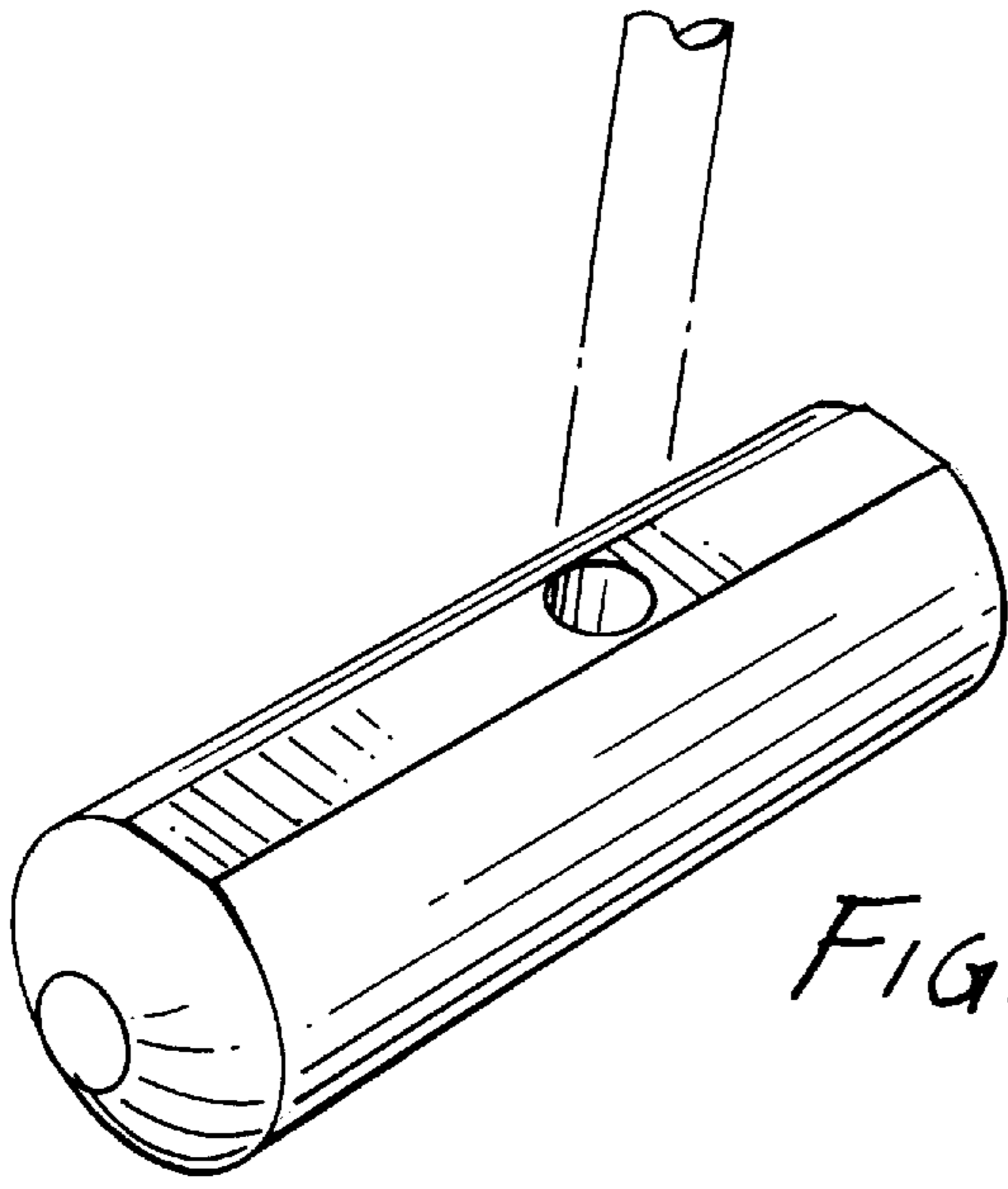


FIG. 1

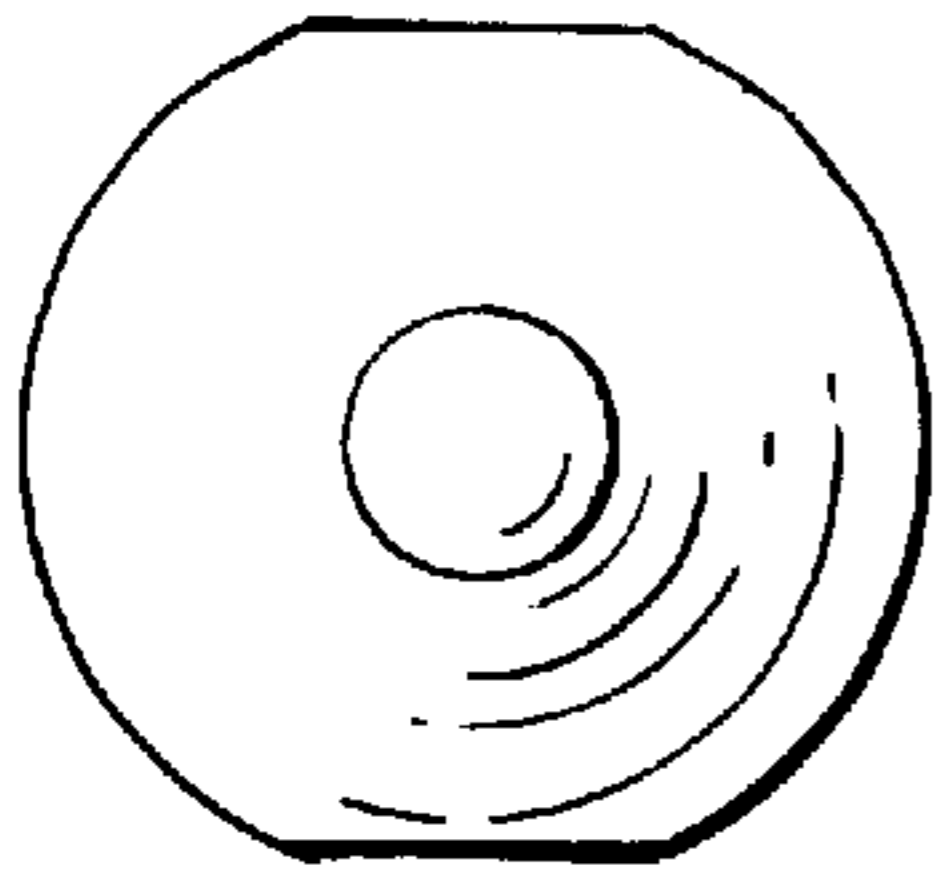


FIG. 3

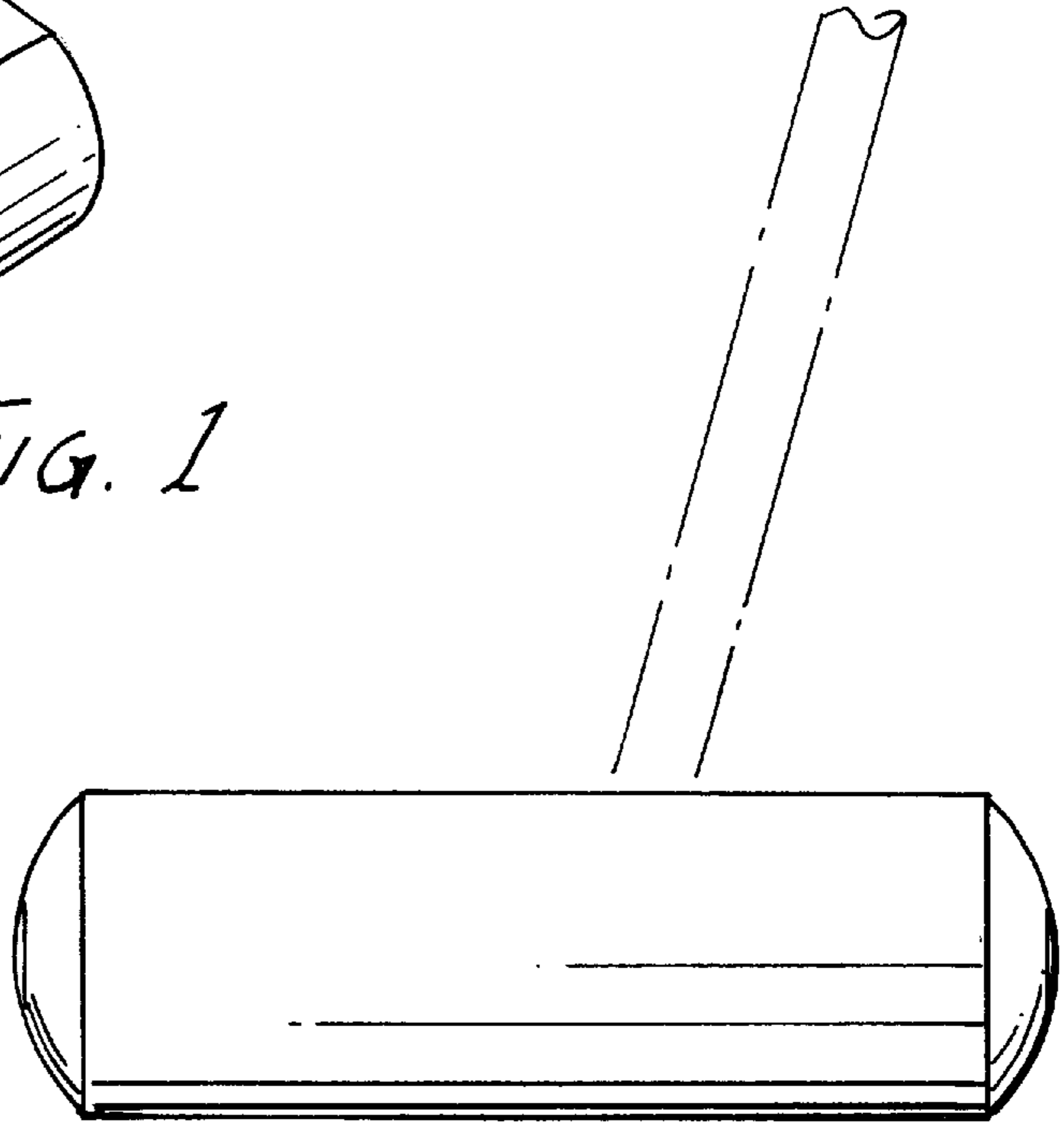


FIG. 2

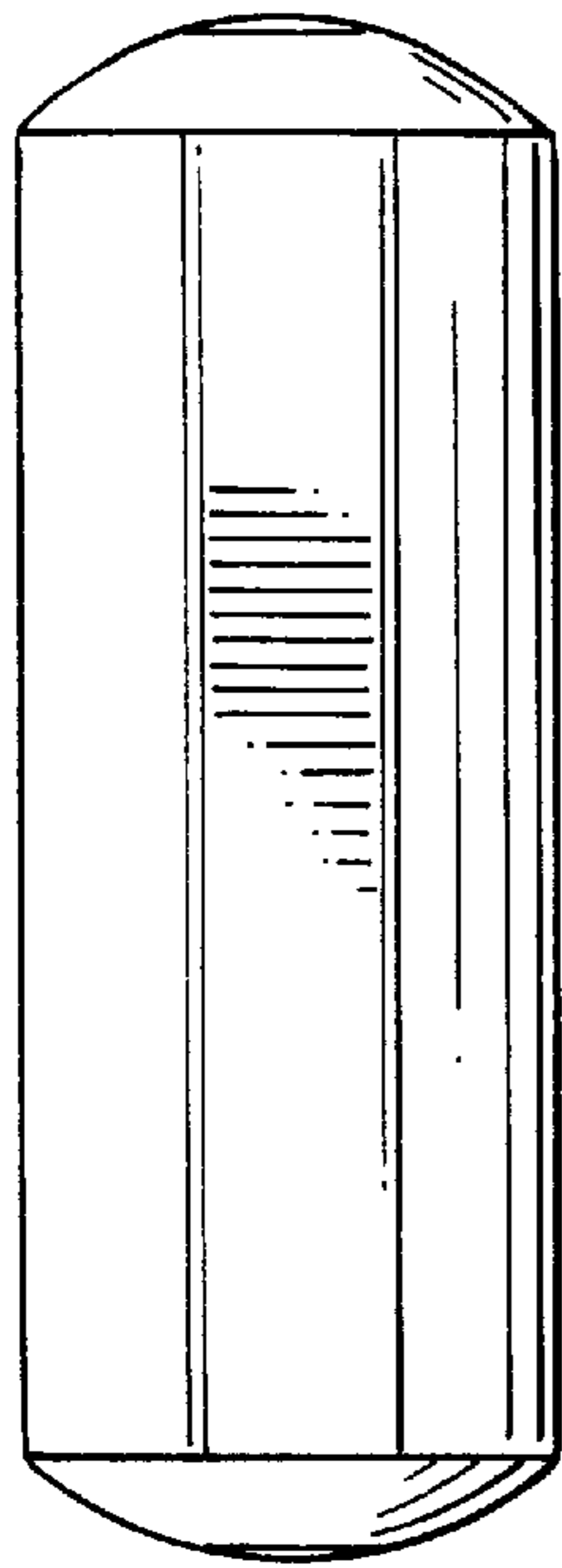


FIG. 4

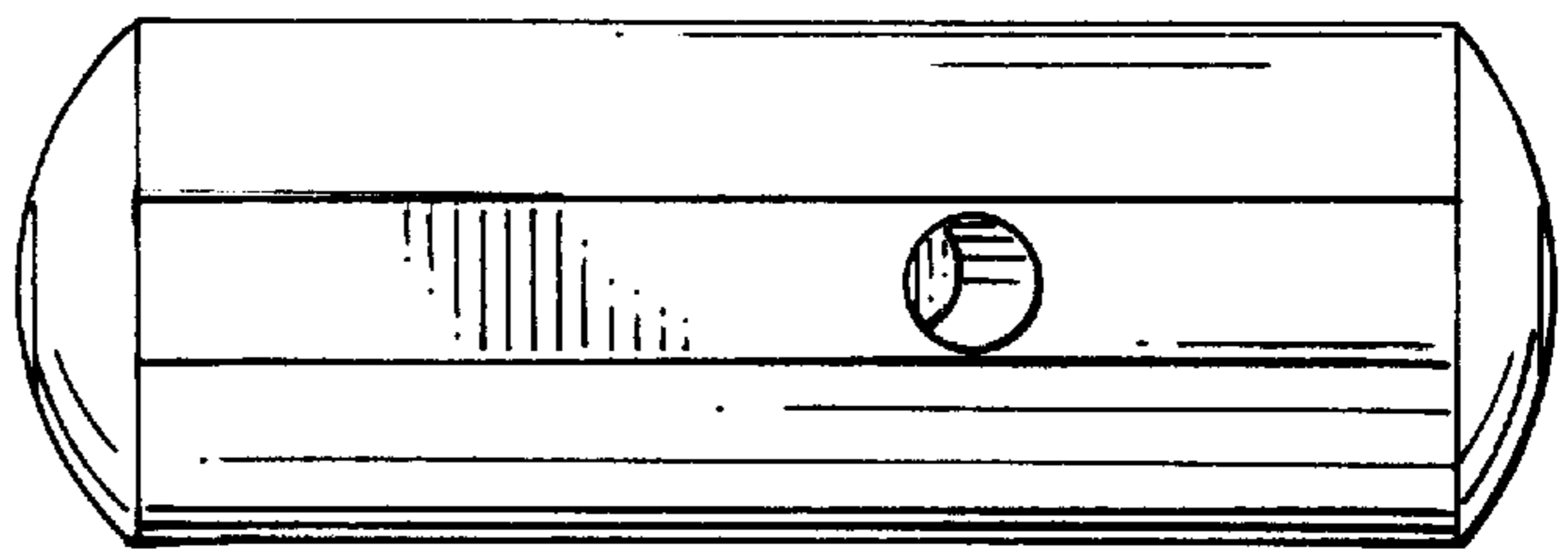


FIG. 5