



US00D401987S

United States Patent [19]

Amburgey et al.

[11] Patent Number: Des. 401,987

[45] Date of Patent: **Dec. 1, 1998

[54] BALL SUPPORT

[75] Inventors: James D. Amburgey, Richardson;
Peter C. Hill, Plano, both of Tex.

[73] Assignee: Today's Kids, Inc., Booneville, Ark.

[**] Term: 14 Years

[21] Appl. No.: 79,662

[22] Filed: Nov. 21, 1997

[51] LOC (6) Cl. 21-02

[52] U.S. Cl. D21/715

[58] Field of Search D21/208; 473/387-403,
473/417, 420

[56] References Cited

U.S. PATENT DOCUMENTS

5,386,987	2/1995	Rodino	473/417
5,556,091	9/1996	Lin	473/417
5,580,047	12/1996	Shih et al.	473/417
5,613,678	3/1997	McKee et al.	473/397

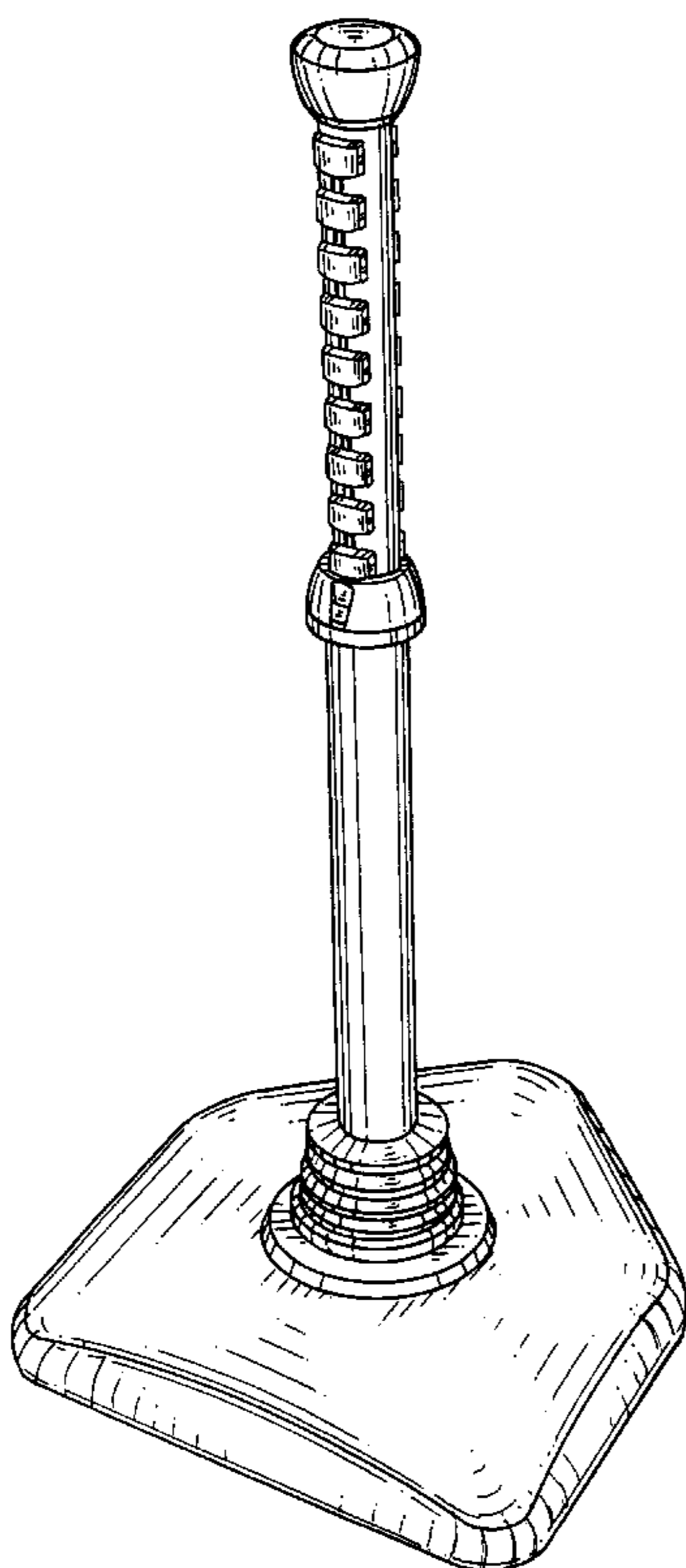
Primary Examiner—Terry A. Wallace
Assistant Examiner—Richelle Shelton
Attorney, Agent, or Firm—Kirkpatrick & Lockhart LLP

[57] CLAIM

The ornamental design for a ball support, as shown and described.

DESCRIPTION

FIG. 1 is a perspective view of the ball support constructed



according to the present invention with the support shaft thereof in the extended position;

FIG. 2 is a front elevational view of the invention illustrated in FIG. 1;

FIGS. 3 is a rear elevational view of the invention illustrated in FIG. 1 and 2;

FIG. 4 is a left side elevational view of the invention illustrated in FIGS. 1-3;

FIG. 5 is a right side elevational view of the invention illustrated in FIGS. 1-4;

FIG. 6 is a top view of the invention illustrated in FIGS. 1-5;

FIG. 7 is a bottom view of the invention illustrated in FIGS. 1-6;

FIG. 8 is a perspective view of the ball support constructed according to the present invention with the support shaft thereof in a retracted position;

FIG. 9 is a front elevational view of the invention illustrated in FIG. 8;

FIG. 10 is a rear elevational view of the invention illustrated in FIGS. 8 and 9;

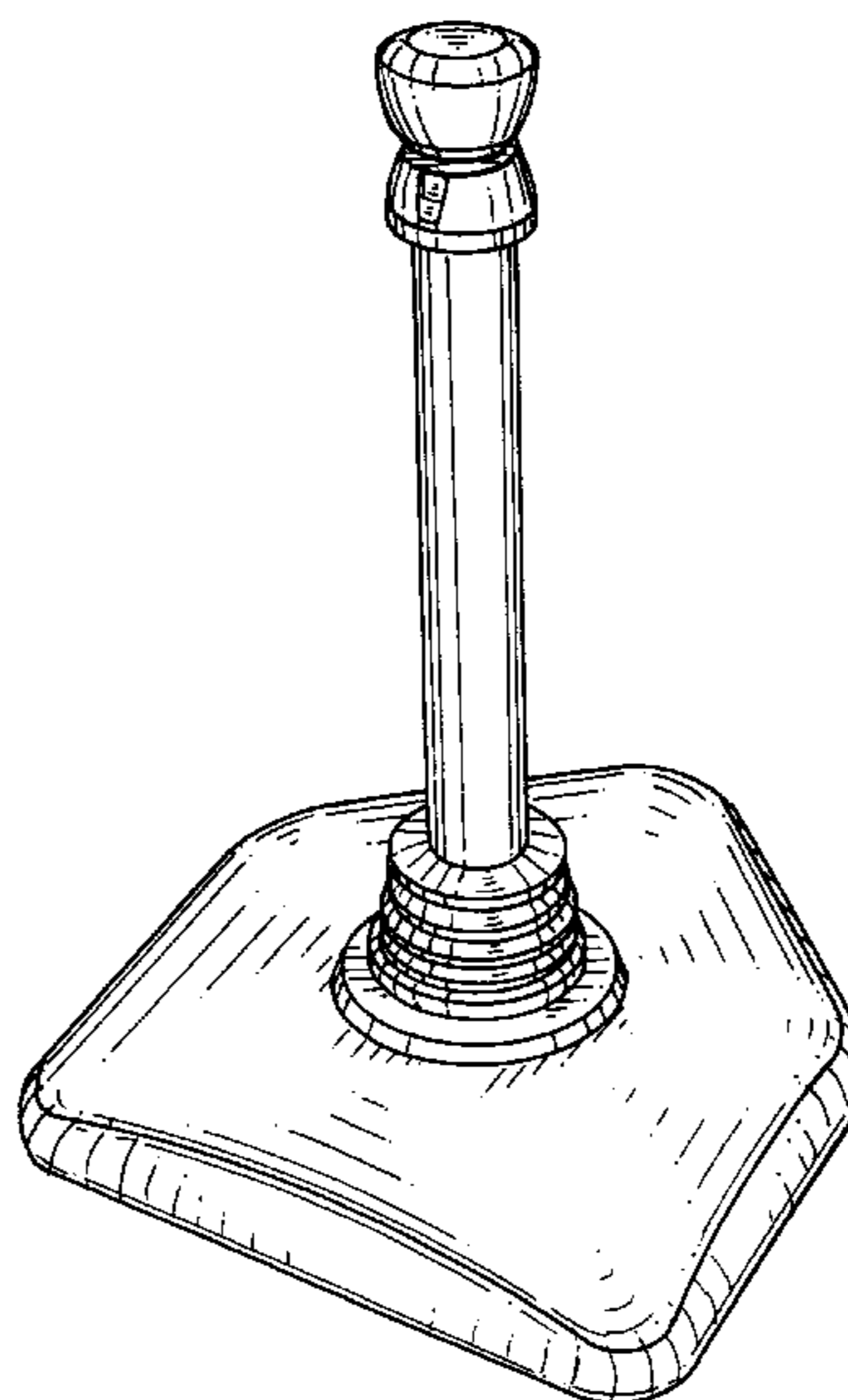
FIG. 11 is a left side elevational view of the invention illustrated in FIGS. 8-10;

FIG. 12 is a right side elevational view of the invention illustrated in FIGS. 8-11;

FIG. 13 is a top view of the invention illustrated in FIGS. 8-12; and,

FIG. 14 is a bottom view of the invention illustrated in FIGS. 8-13.

1 Claim, 8 Drawing Sheets



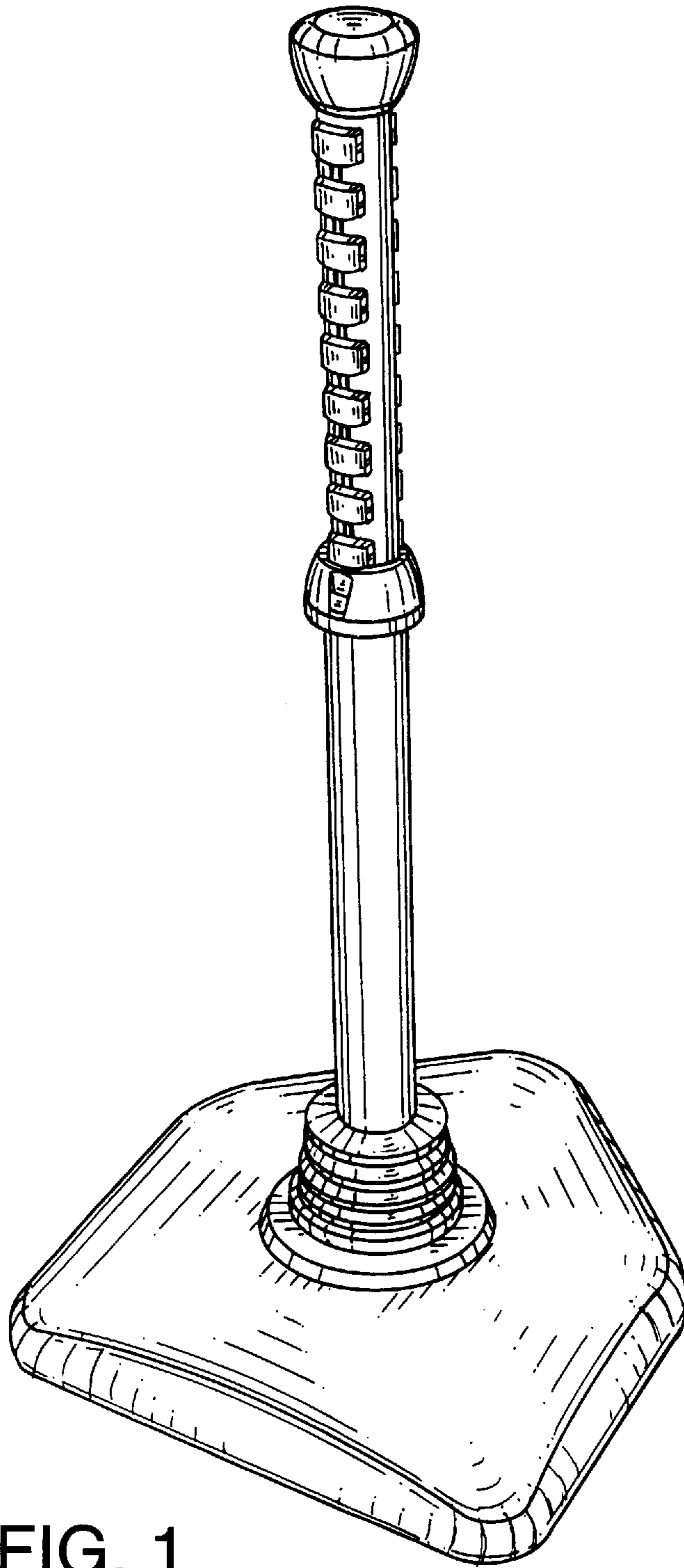


FIG. 1

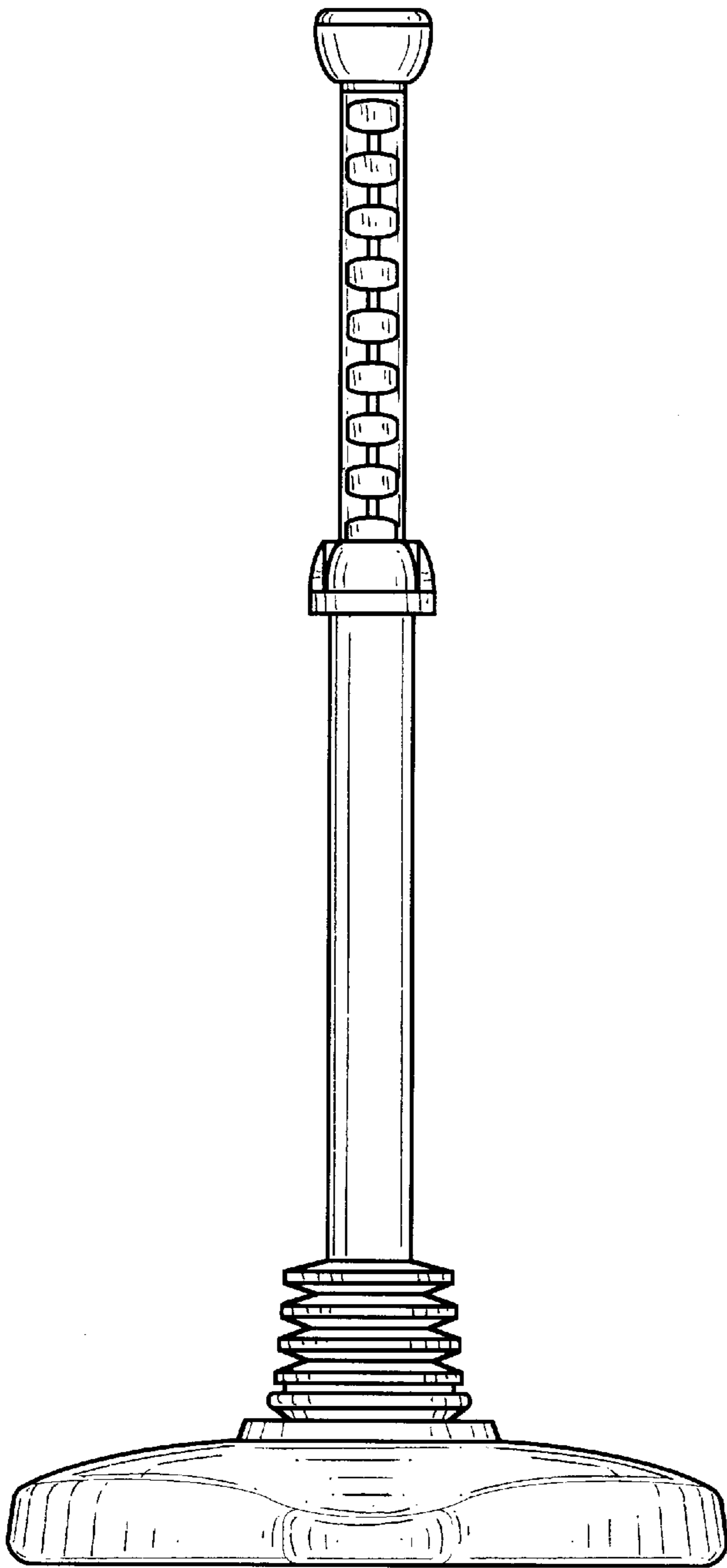


FIG. 2

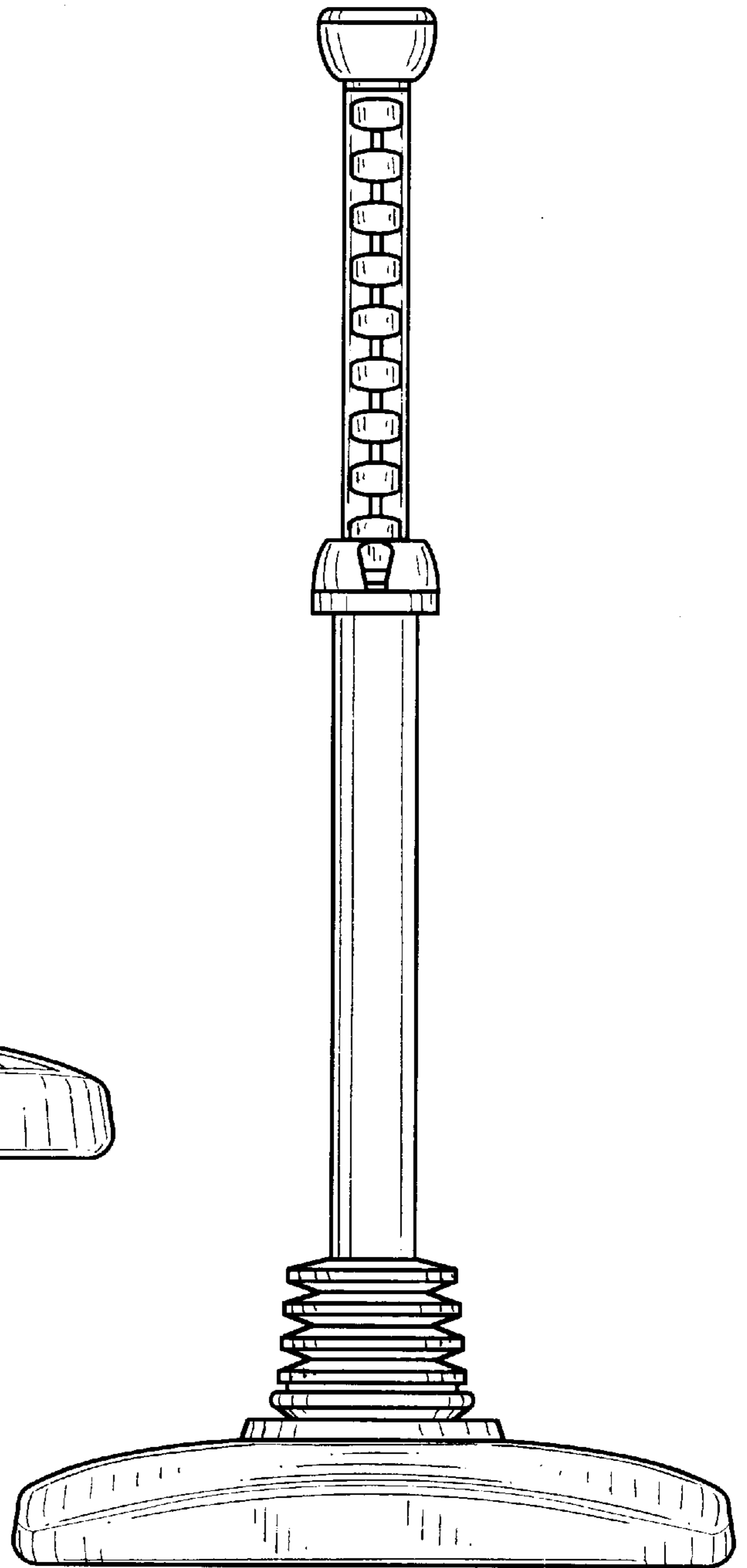


FIG. 3

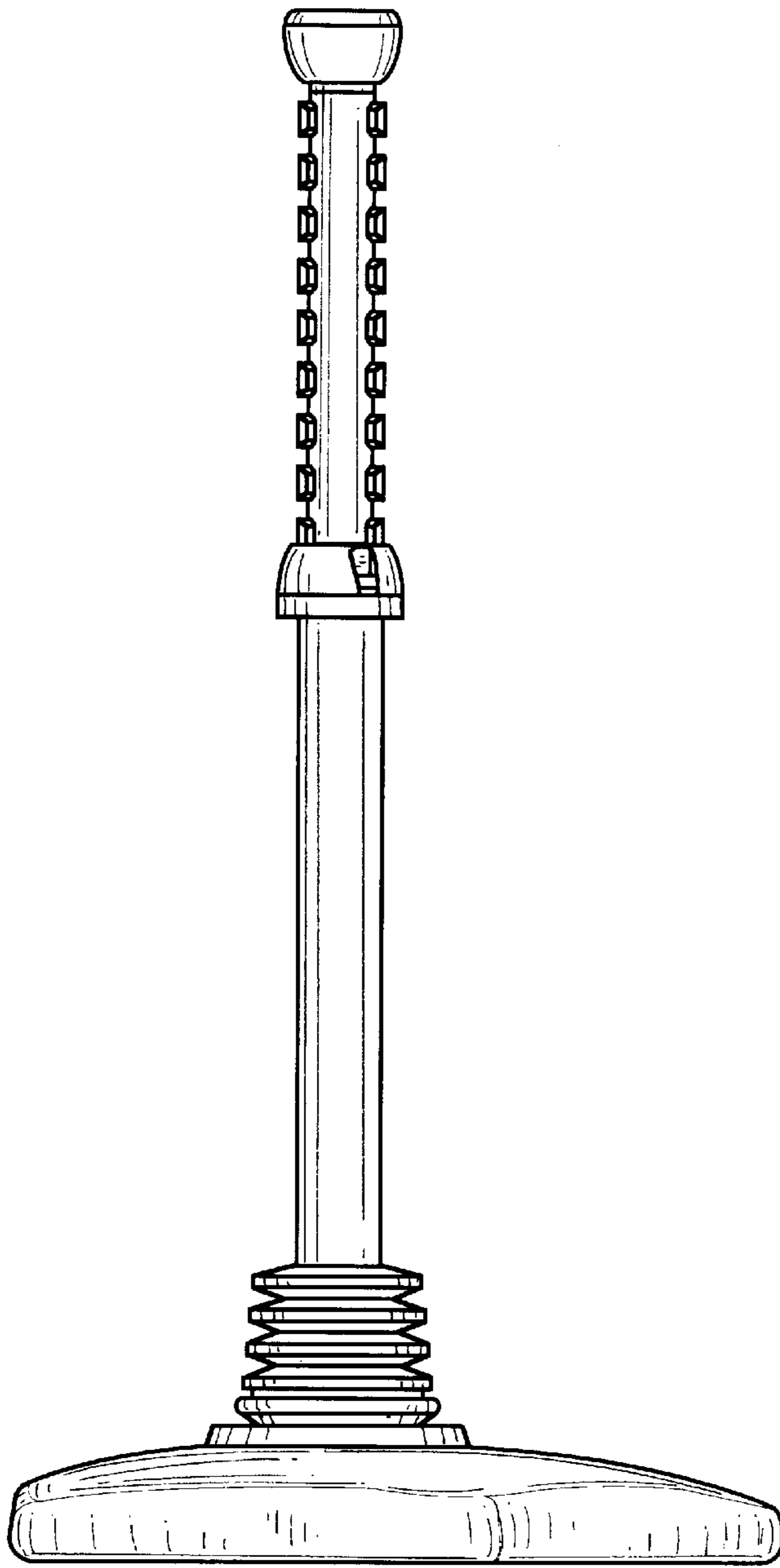


FIG. 4

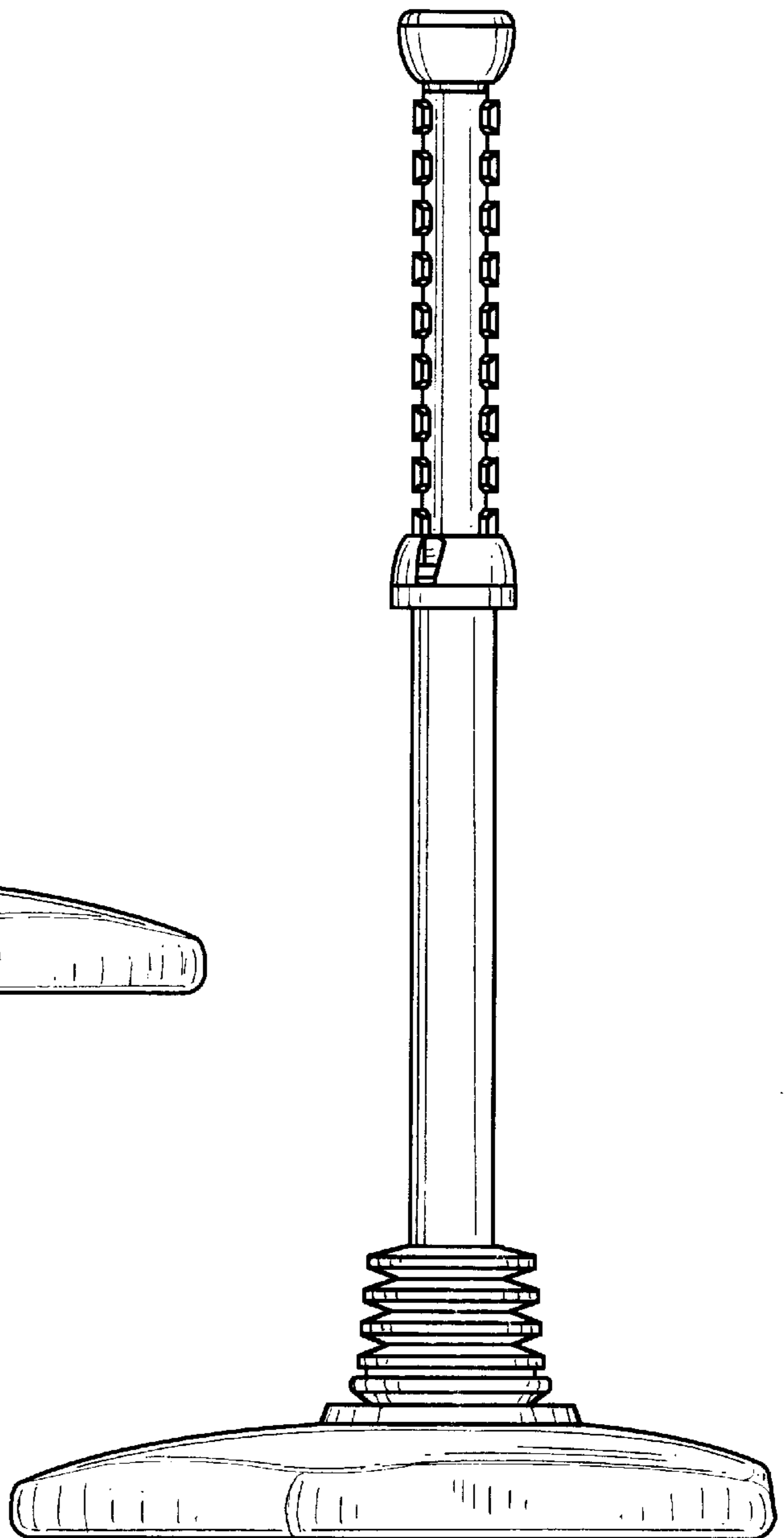


FIG. 5

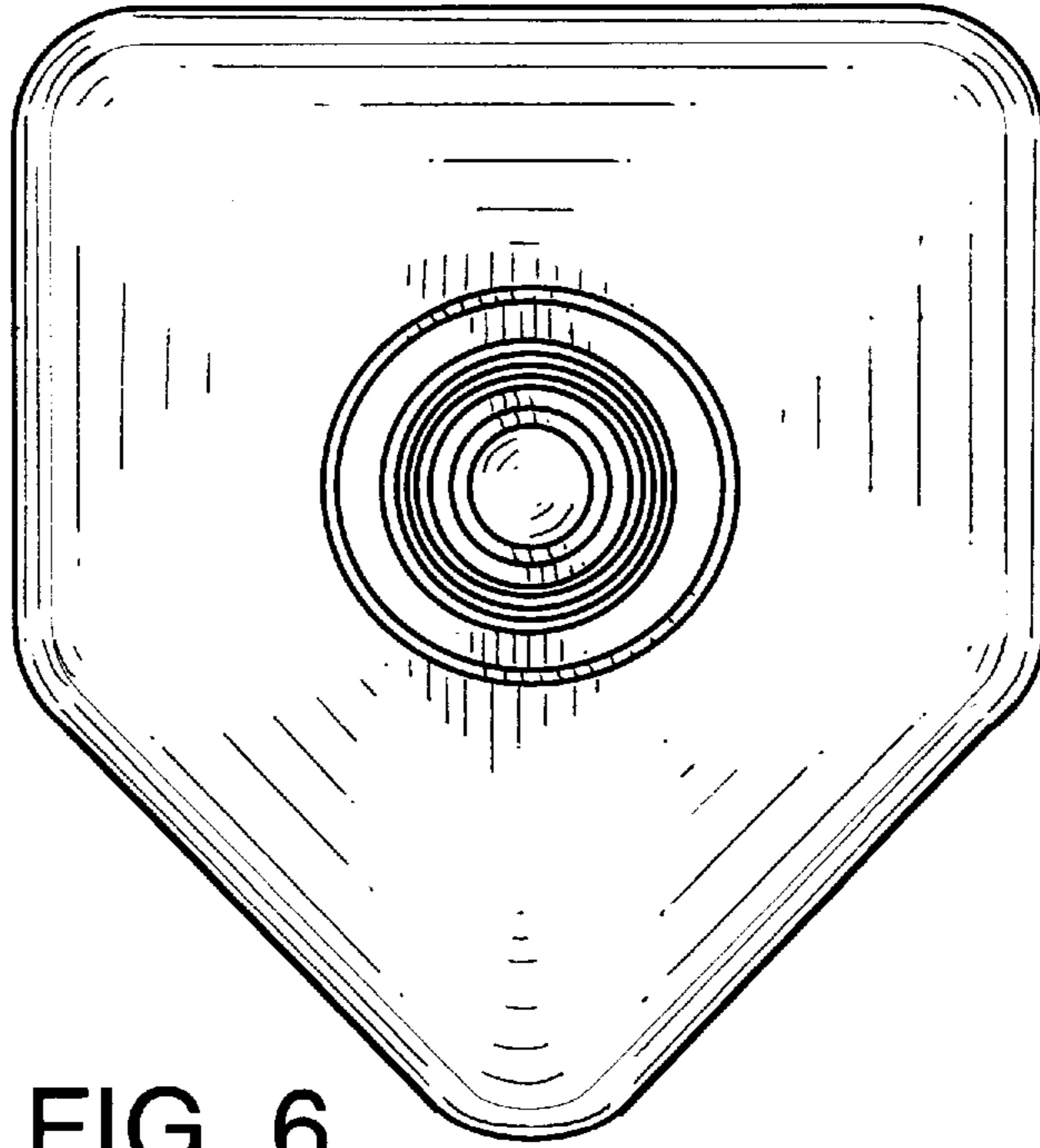


FIG. 6

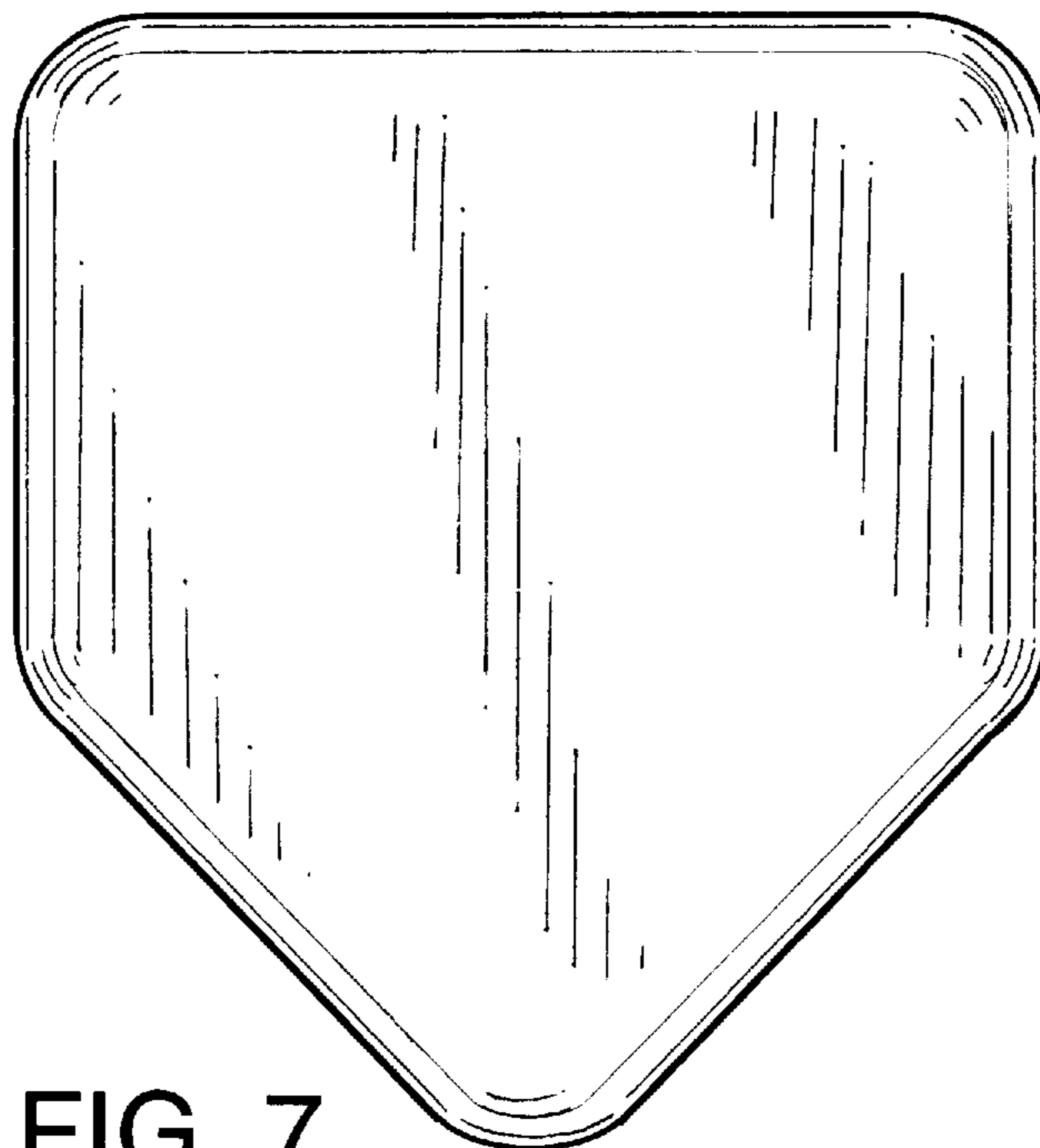


FIG. 7

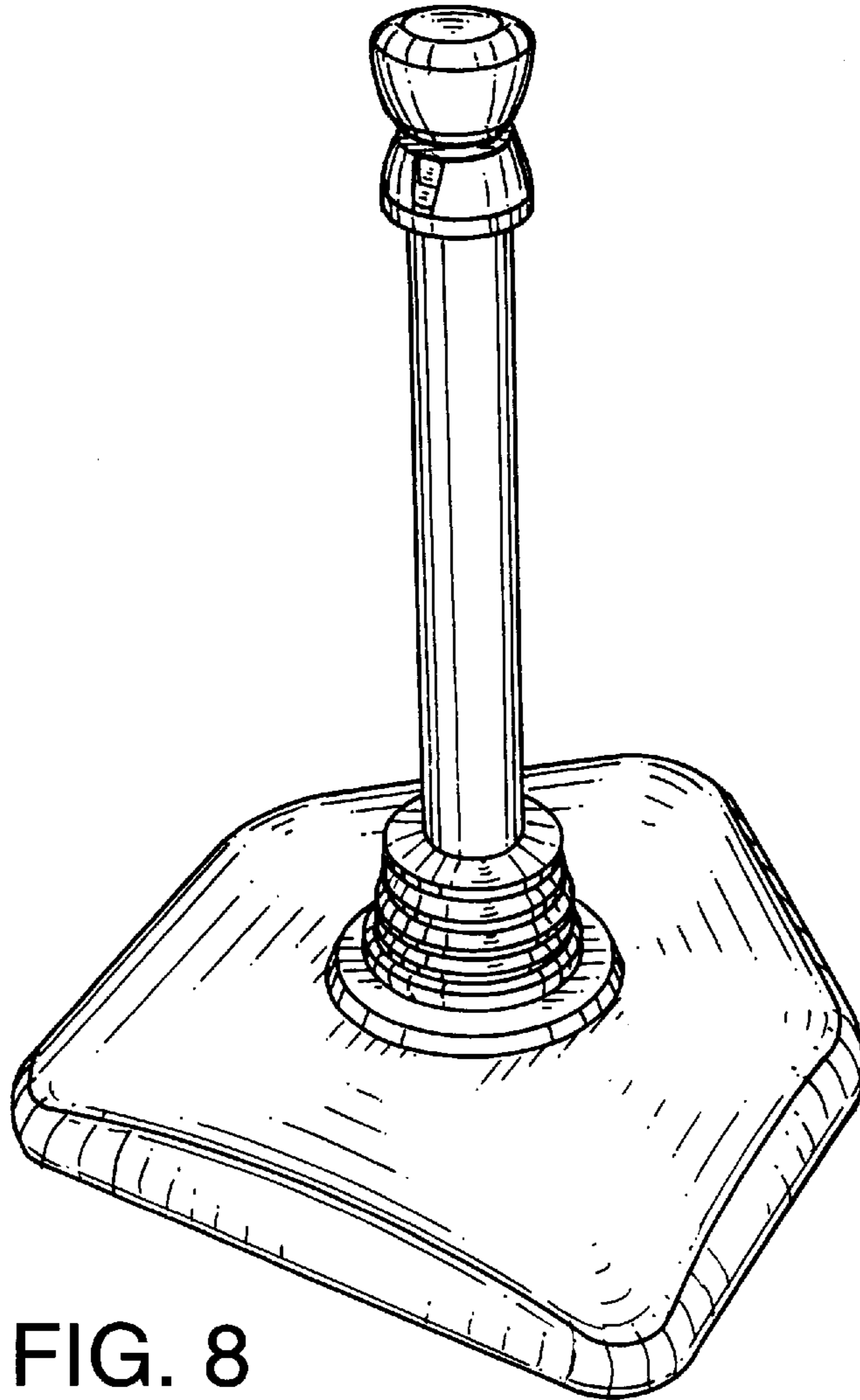


FIG. 8

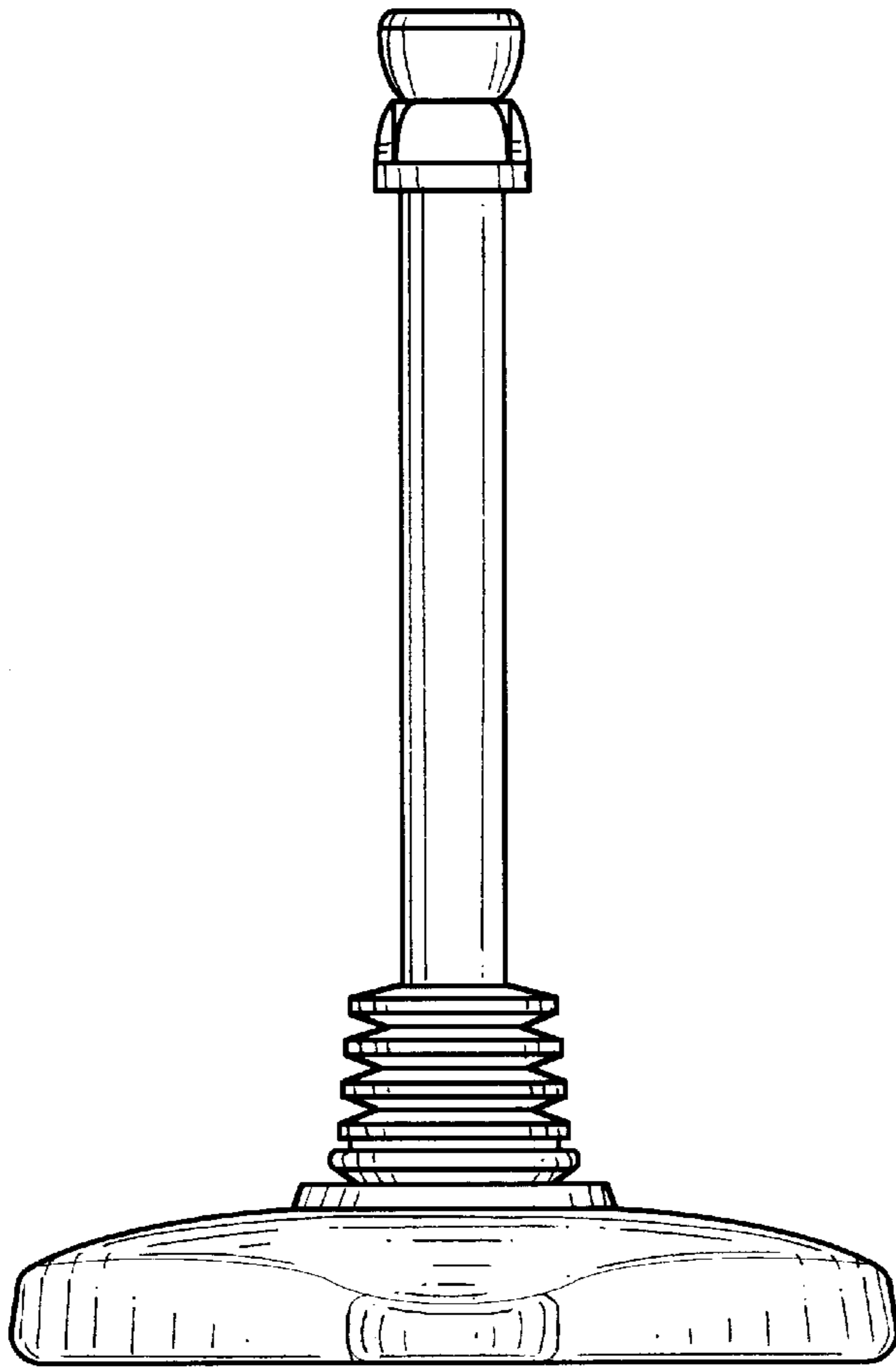


FIG. 9

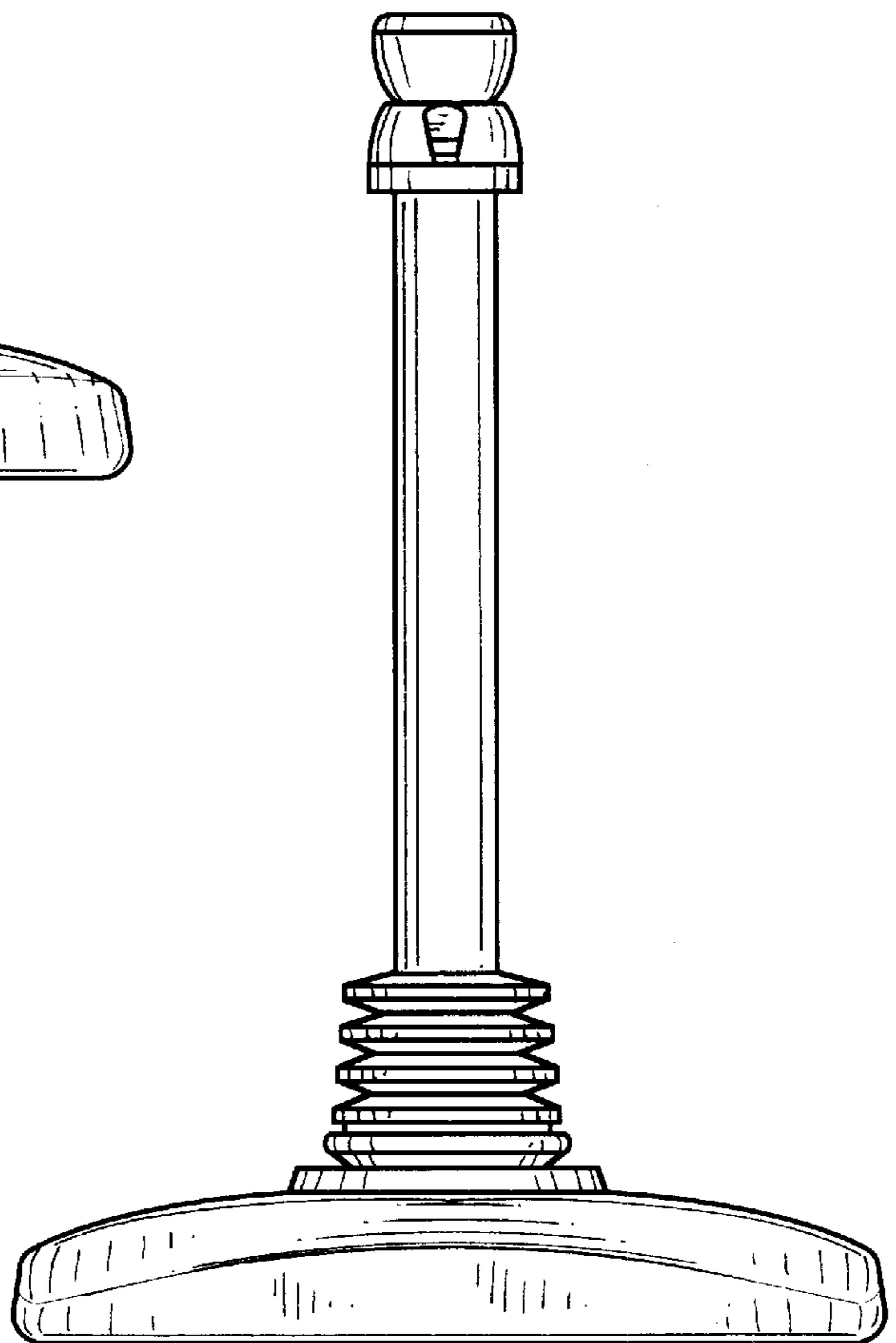


FIG. 10

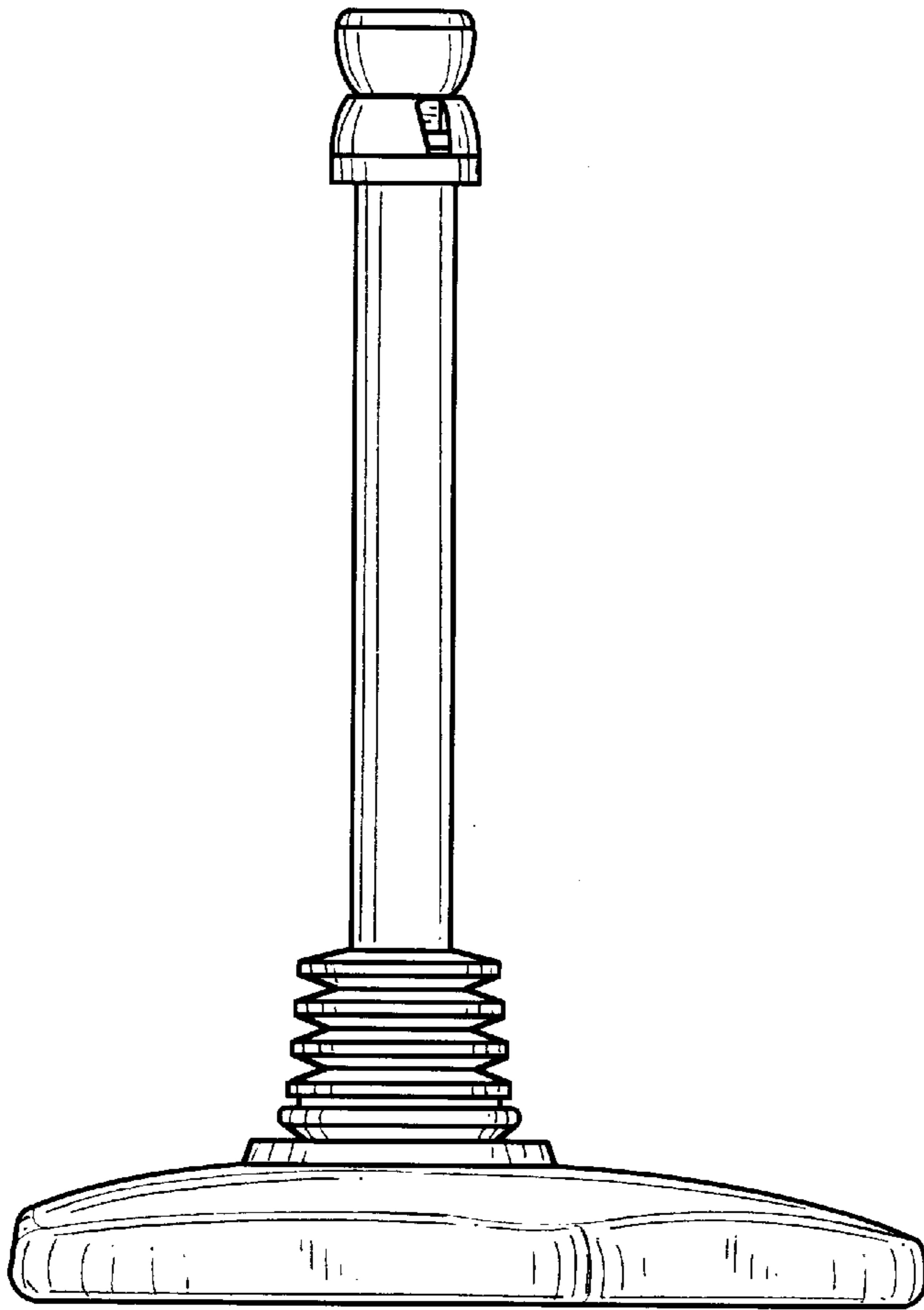


FIG. 11

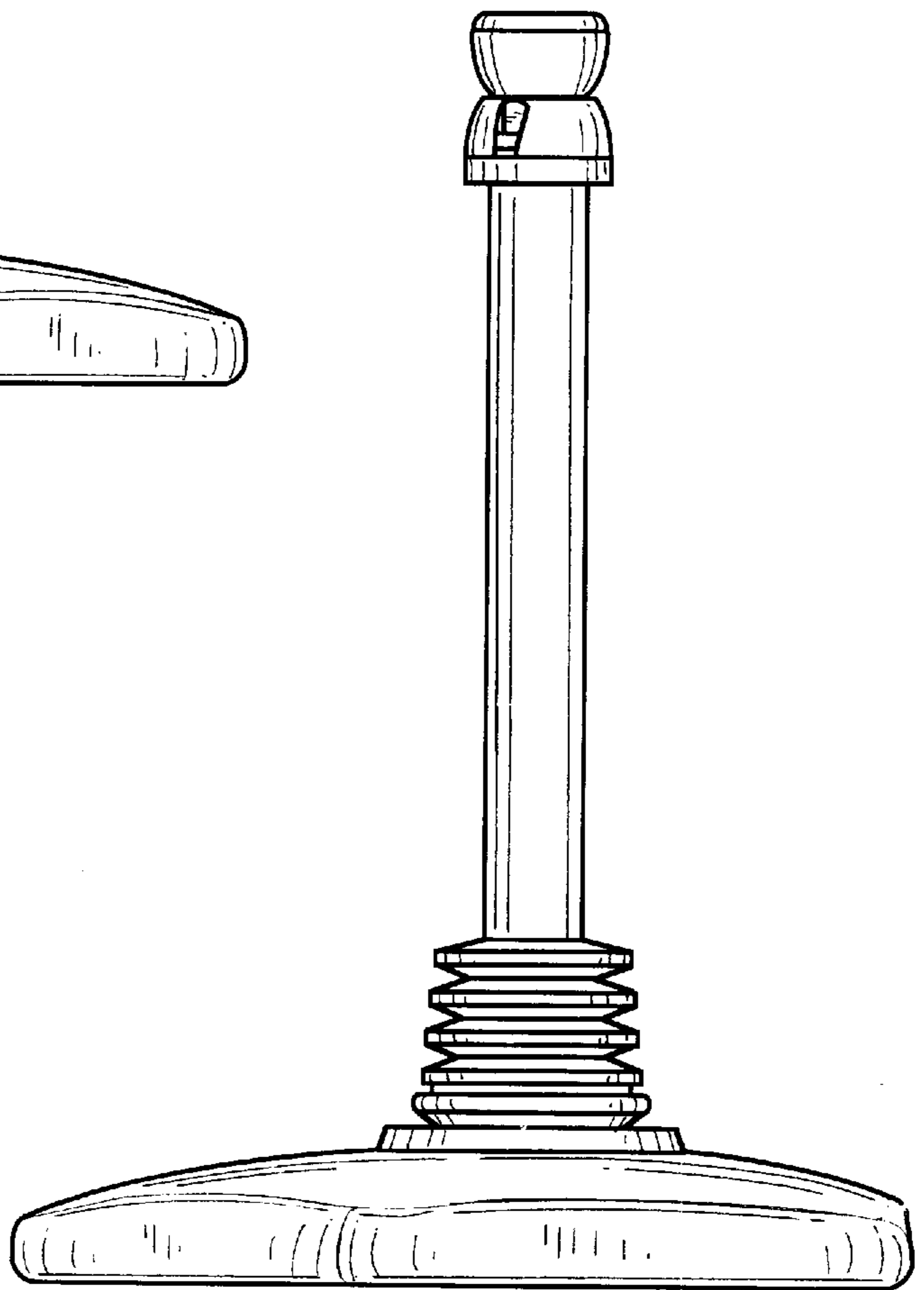


FIG. 12

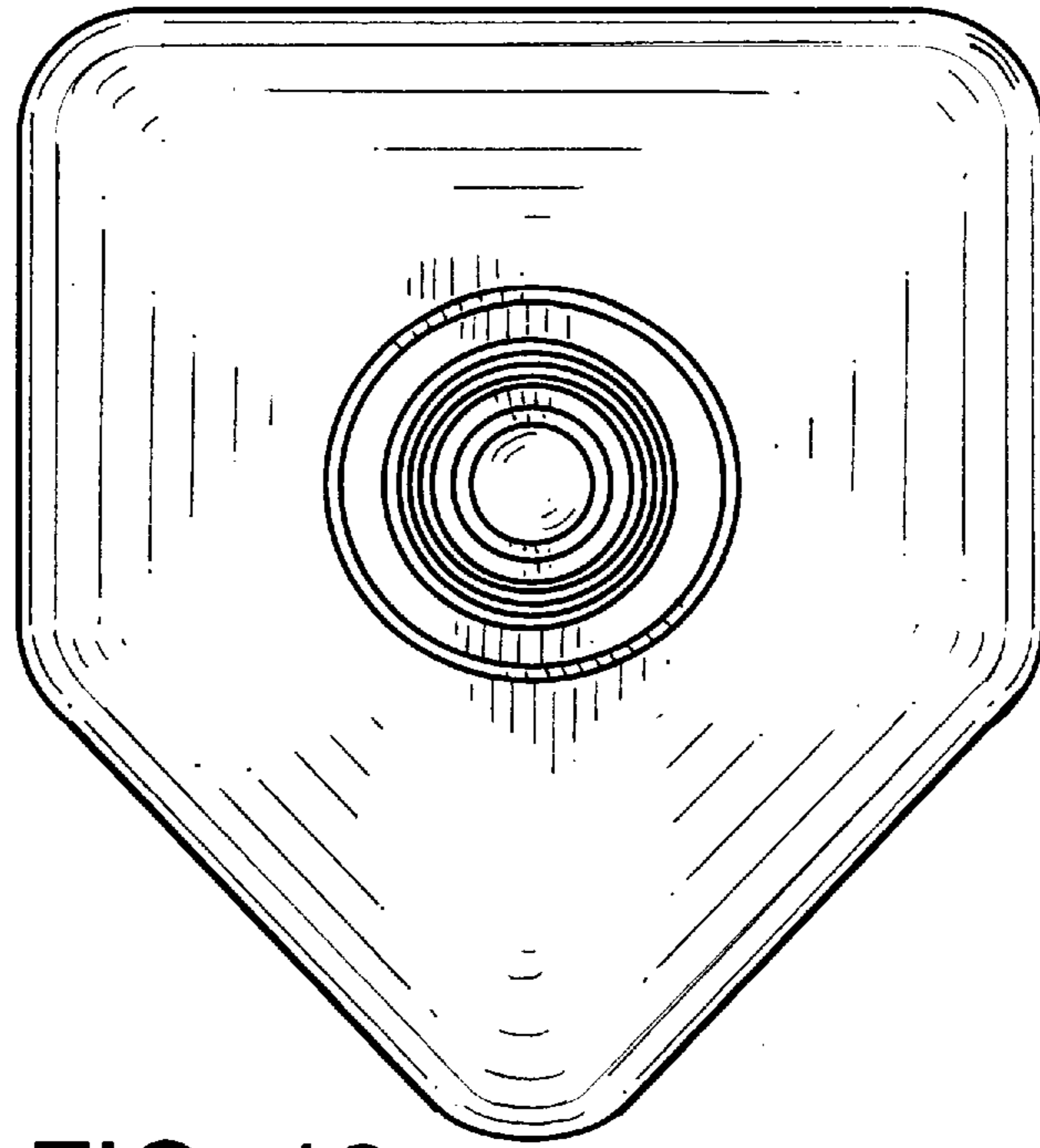


FIG. 13

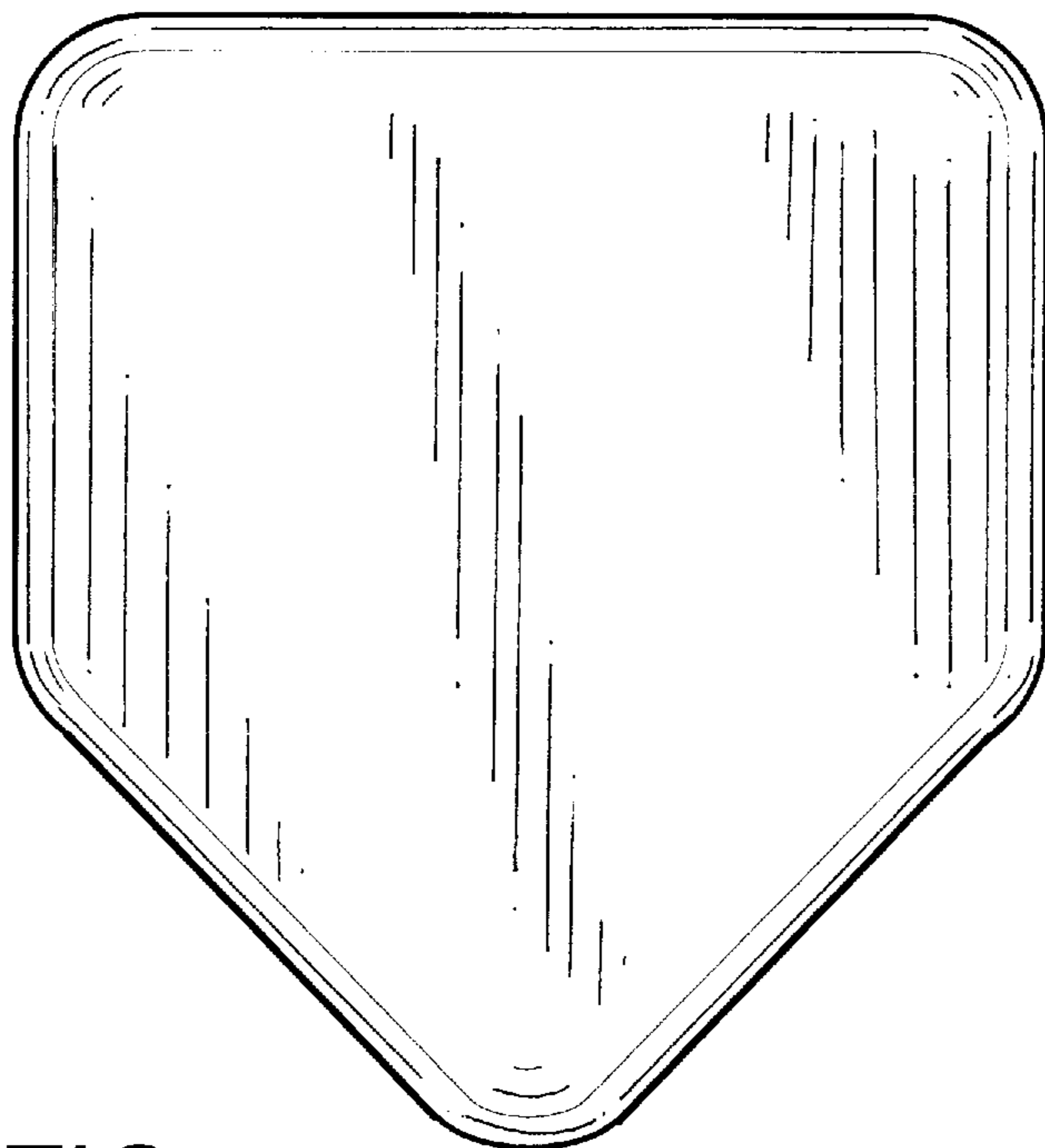


FIG. 14