



US00D401985S

# United States Patent [19] Wheeler

[11] **Patent Number: Des. 401,985**

[45] **Date of Patent: \*\*Dec. 1, 1998**

[54] **PULL-UP EXERCISE APPARATUS**

[76] Inventor: **Joseph Mark Wheeler**, 14 Cook St.,  
Monmouth Beach, N.J. 07750

[\*\*] Term: **14 Years**

[21] Appl. No.: **75,701**

[22] Filed: **Aug. 22, 1997**

[51] **LOC (6) Cl.** ..... **21-02**

[52] **U.S. Cl.** ..... **D21/686**

[58] **Field of Search** ..... D21/191, 198;  
482/38, 123, 130, 41, 91, 39, 66

[56] **References Cited**

**U.S. PATENT DOCUMENTS**

D. 327,105	6/1992	Smith, Jr.	.....	D21/191
D. 372,059	7/1996	Taylor	.....	D21/191
4,620,701	11/1986	Mojden	.....	482/41

5,302,164	4/1994	Austin	.....	482/41
5,316,527	5/1994	Lekhtman	.....	482/38
5,407,404	4/1995	Killian et al.	.....	482/38

*Primary Examiner*—Philip S. Hyder

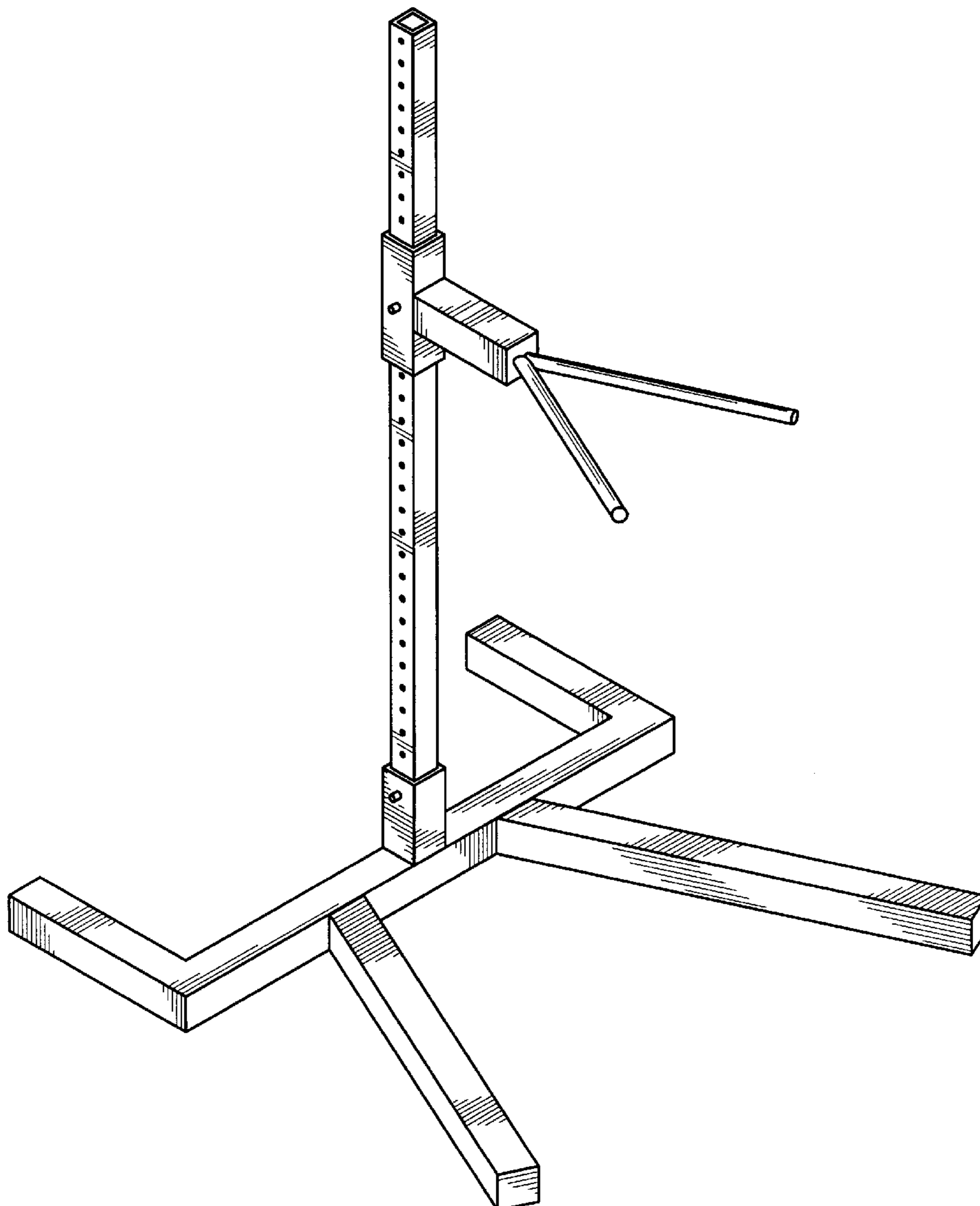
[57] **CLAIM**

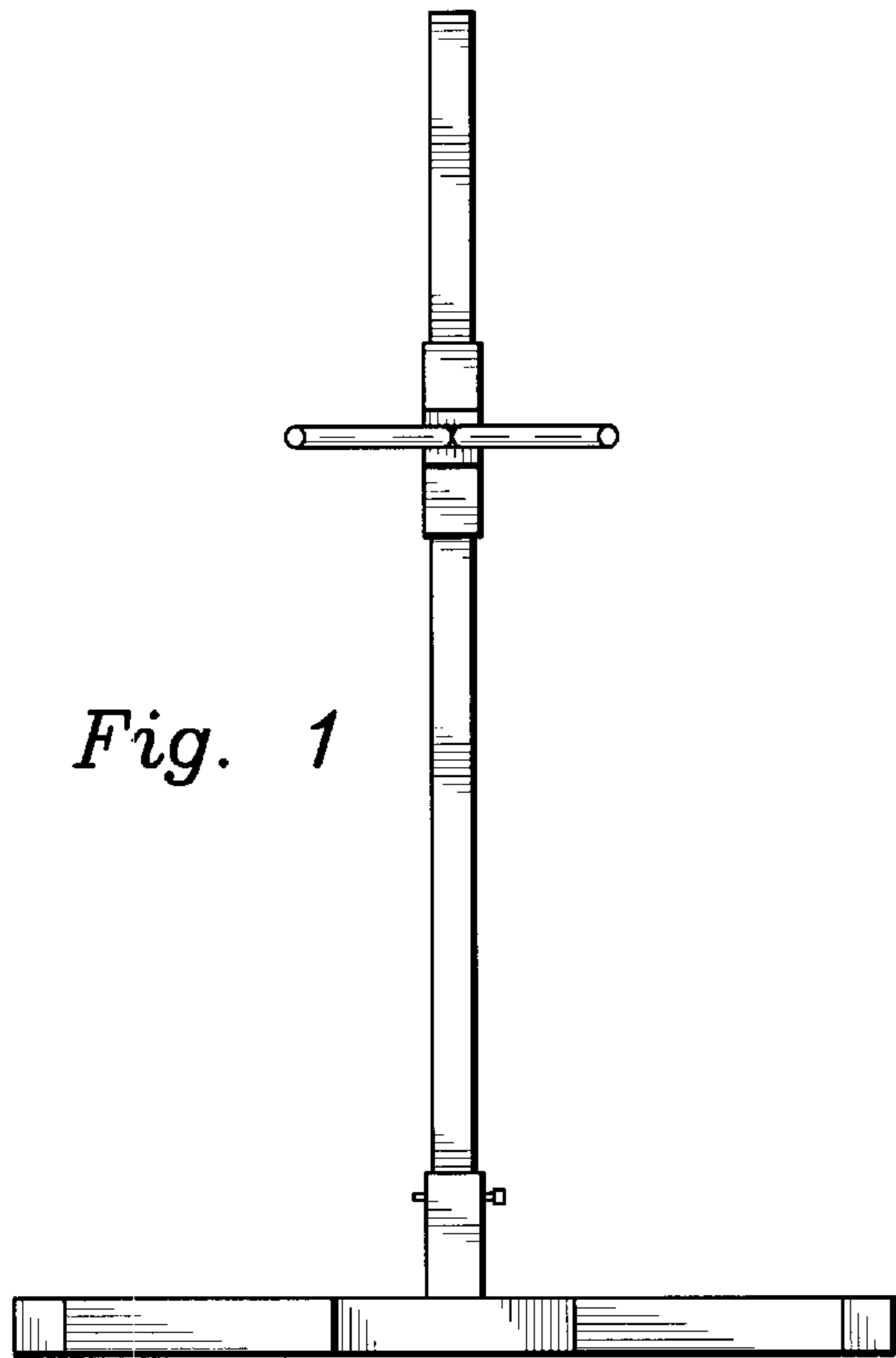
The ornamental design for a pull-up exercise apparatus, as shown and described.

**DESCRIPTION**

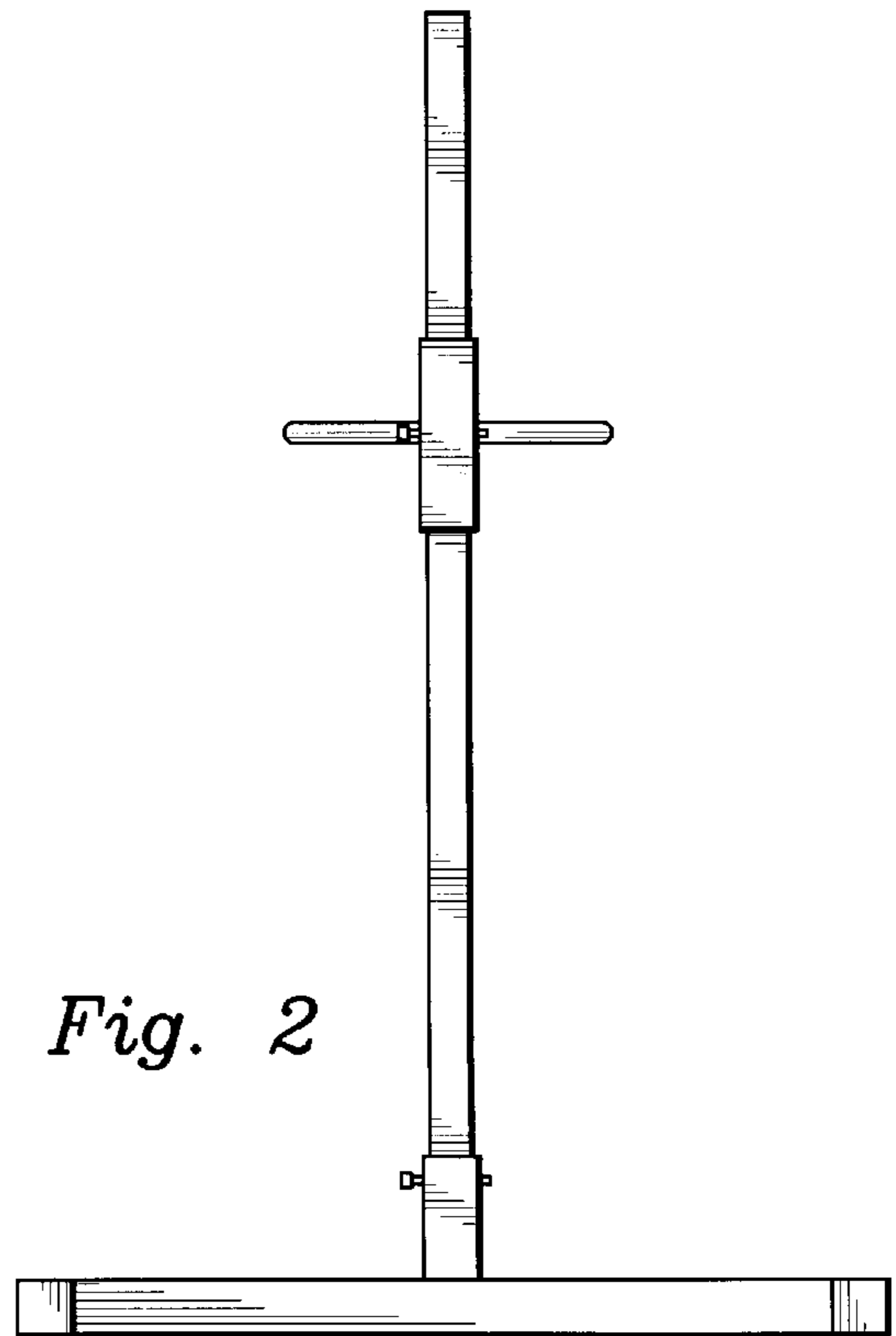
FIG. 1 is a front elevational view of the pull-up exercise apparatus showing my new design; FIG. 2 is a rear elevational view thereof; FIG. 3 is a right side view thereof; FIG. 4 is a left side view thereof; FIG. 5 is a top plan view thereof; FIG. 6 is a bottom plan view thereof; and, FIG. 7 is a perspective illustration of my new design.

**1 Claim, 4 Drawing Sheets**

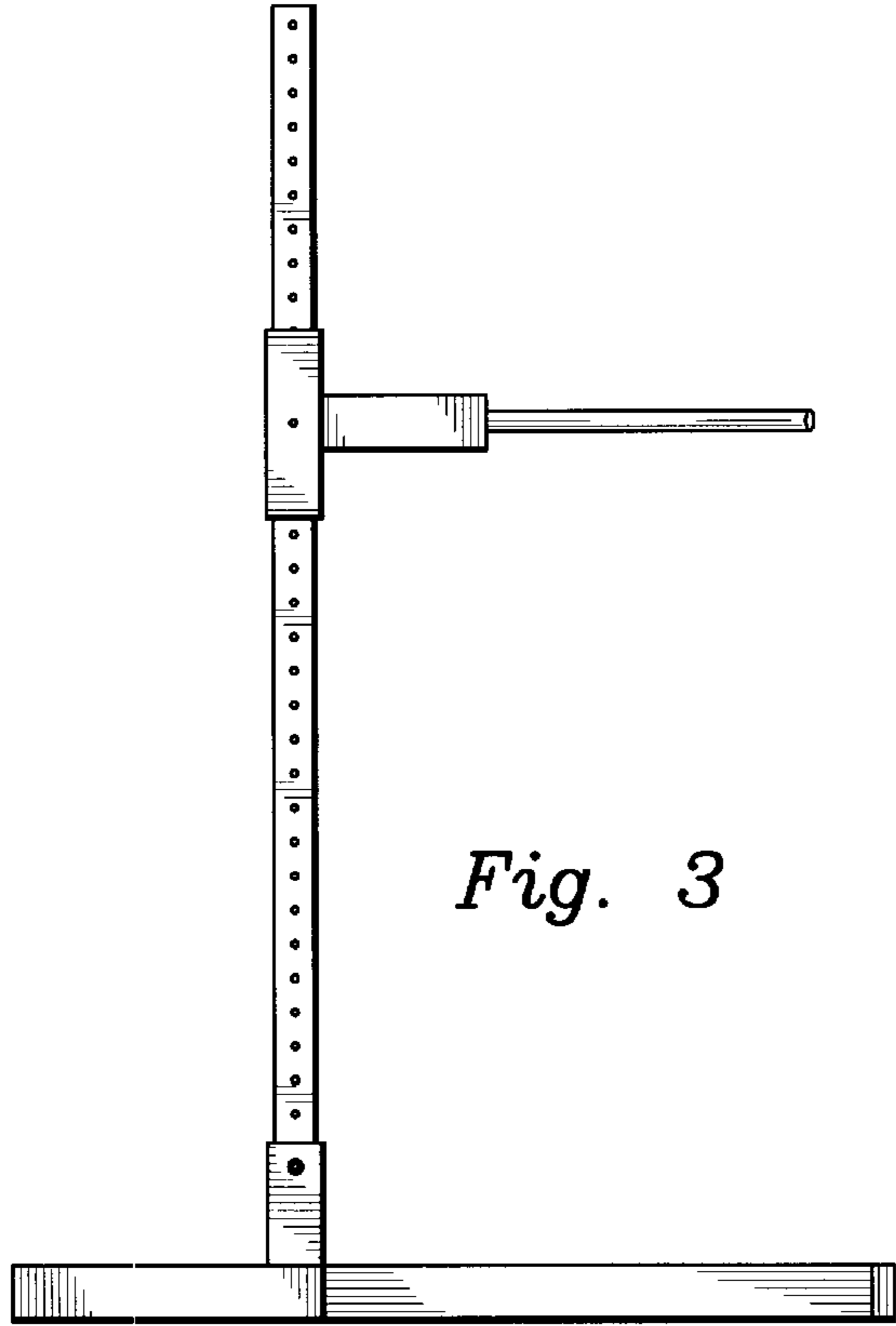




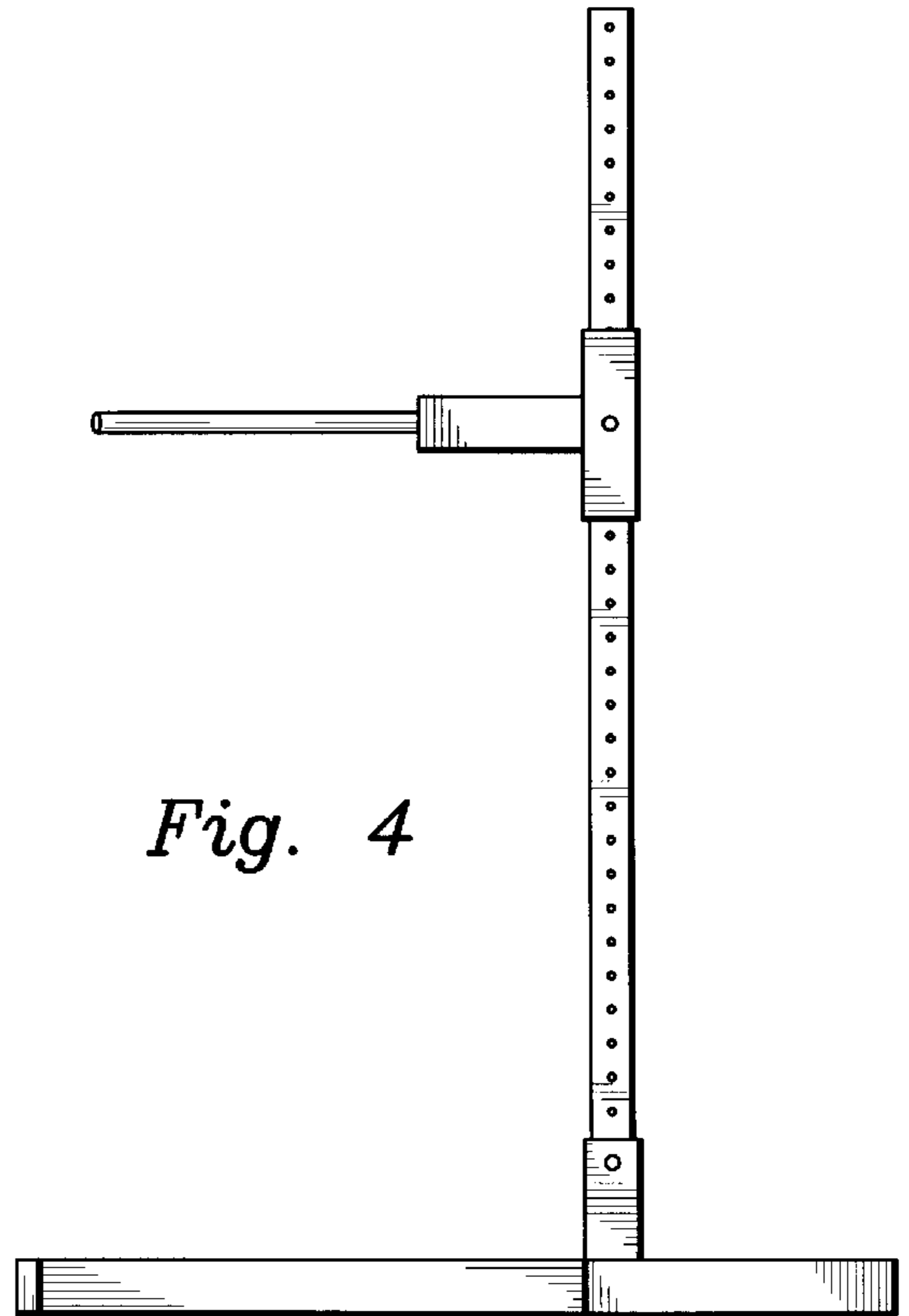
*Fig. 1*



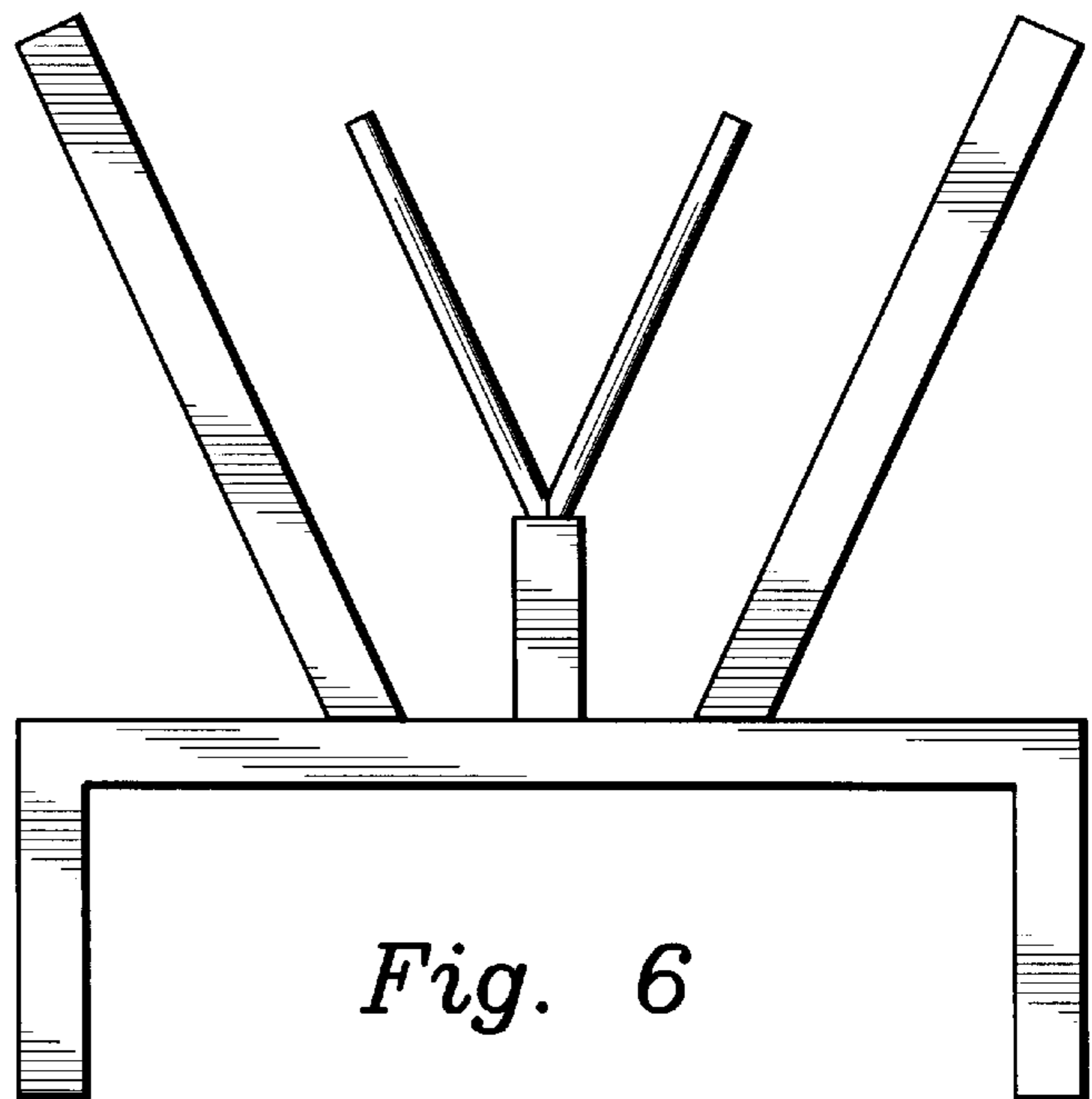
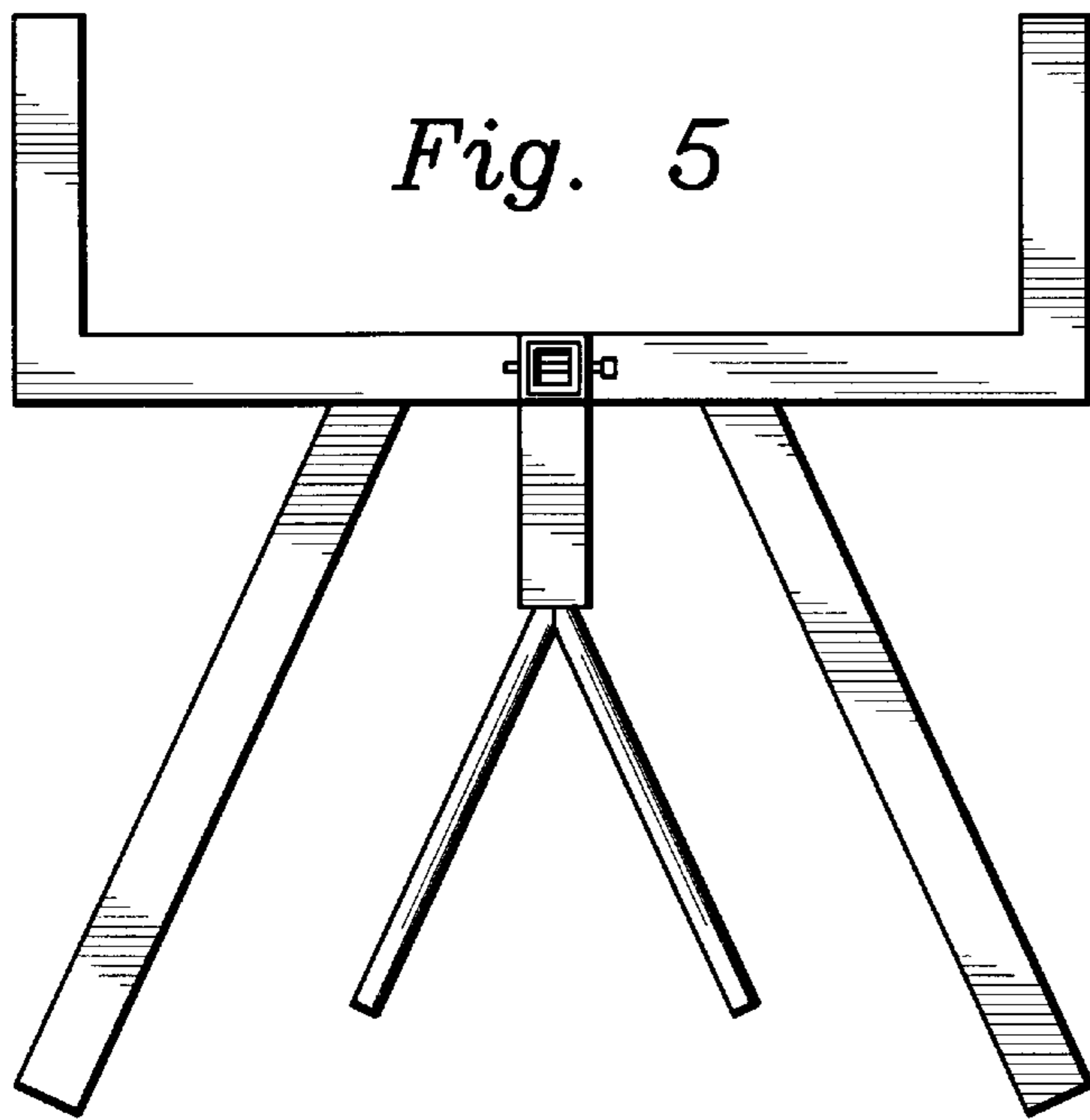
*Fig. 2*

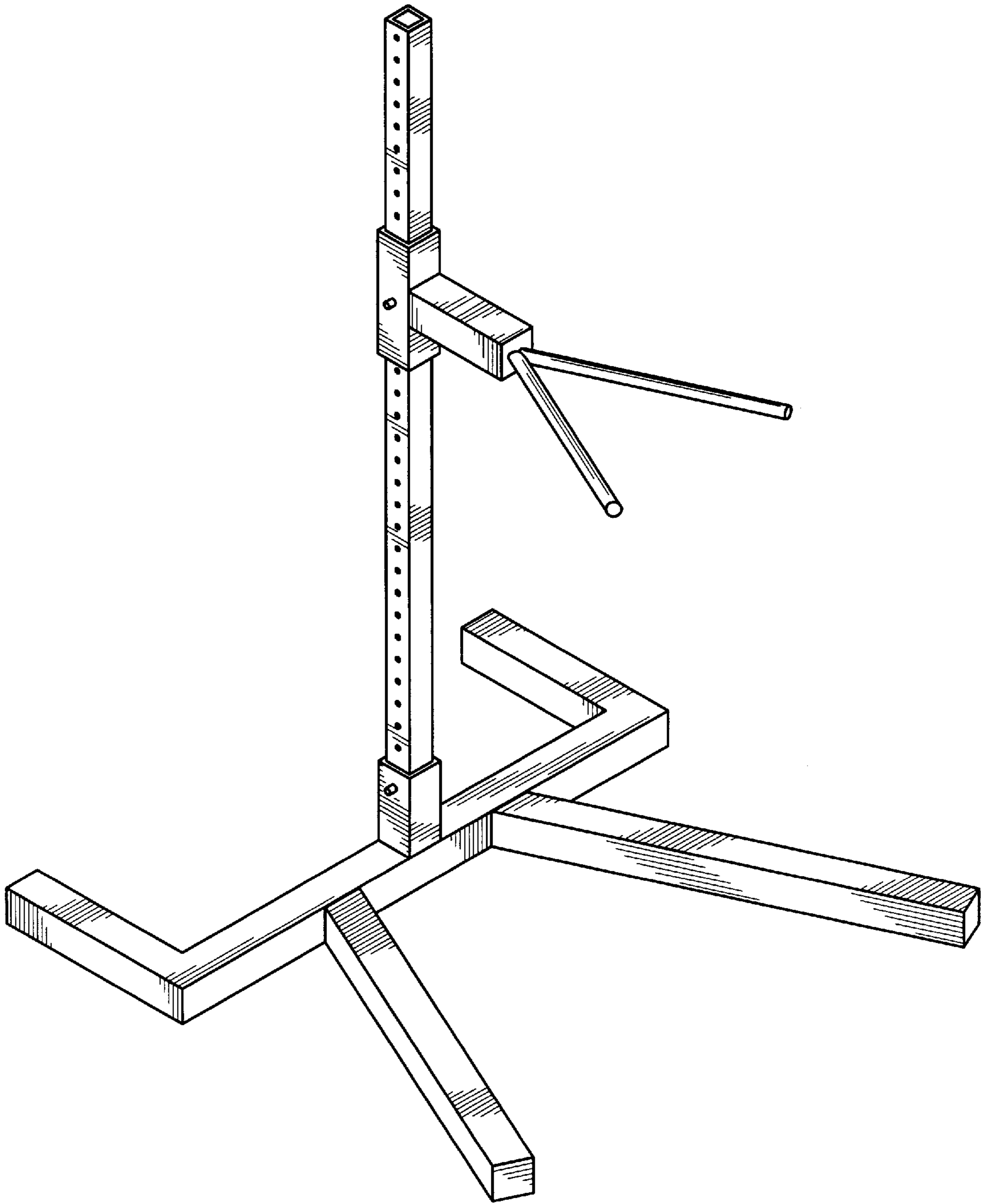


*Fig. 3*



*Fig. 4*





*Fig. 7*