



US00D401978S

United States Patent [19] Wong

[11] **Patent Number:** **Des. 401,978**

[45] **Date of Patent:** ****Dec. 1, 1998**

[54] **TOY TELESCOPE**

[75] **Inventor:** **Chi-Man Wong**, New Territories, Hong Kong

[73] **Assignee:** **Edu-Science (H.K.) Limited**, Hong Kong, Hong Kong

[**] **Term:** **14 Years**

[21] **Appl. No.:** **80,153**

[22] **Filed:** **Sep. 17, 1997**

[51] **LOC (6) Cl.** **21-01**

[52] **U.S. Cl.** **D21/109**

[58] **Field of Search** D16/130-133;
D21/59, 109; 446/219, 408, 153; 359/368,
399-406

[56] **References Cited**

U.S. PATENT DOCUMENTS

- D. 149,886 6/1948 Knudsen et al. .
- D. 265,482 7/1982 Bressler D16/132

- D. 287,520 12/1986 Yoke D21/109
- 1,827,135 10/1931 Blake .
- 2,222,084 11/1940 Marx .
- 2,484,116 10/1949 Papke 446/219
- 3,324,758 6/1967 Rogers, Jr. .

Primary Examiner—Raphael Barkai
Attorney, Agent, or Firm—Samuels, Gauthier, Stevens & Reppert

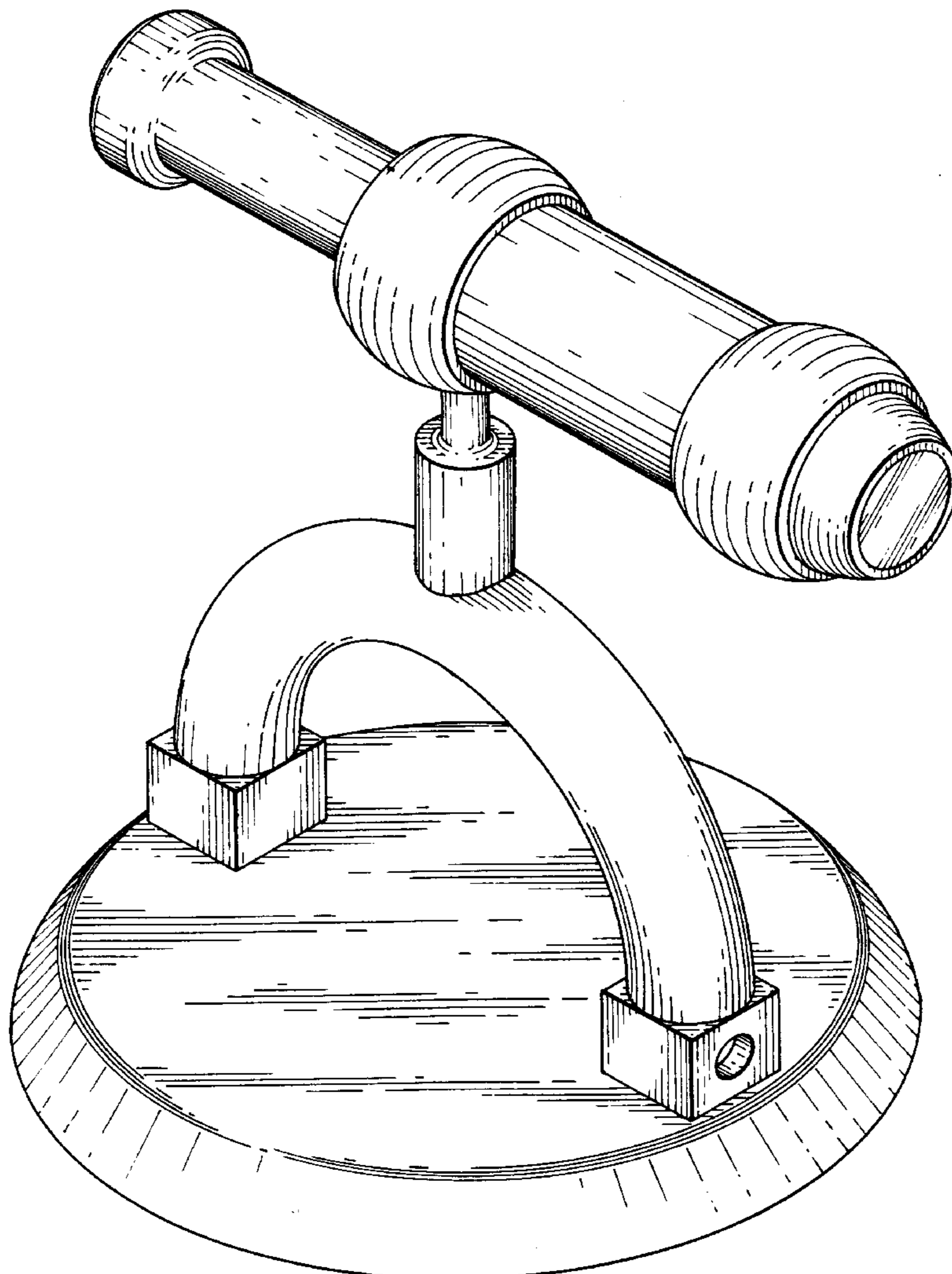
[57] **CLAIM**

The ornamental design for a “toy telescope”, as show and described.

DESCRIPTION

FIG. 1 is the front perspective view showing my new design; FIG. 2 is the front view thereof; FIG. 3 is the left-hand view thereof; FIG. 4 is the right-hand view thereof; FIG. 5 is the rear view thereof; FIG. 6 is the top view thereof; and, FIG. 7 is the bottom view thereof.

1 Claim, 5 Drawing Sheets



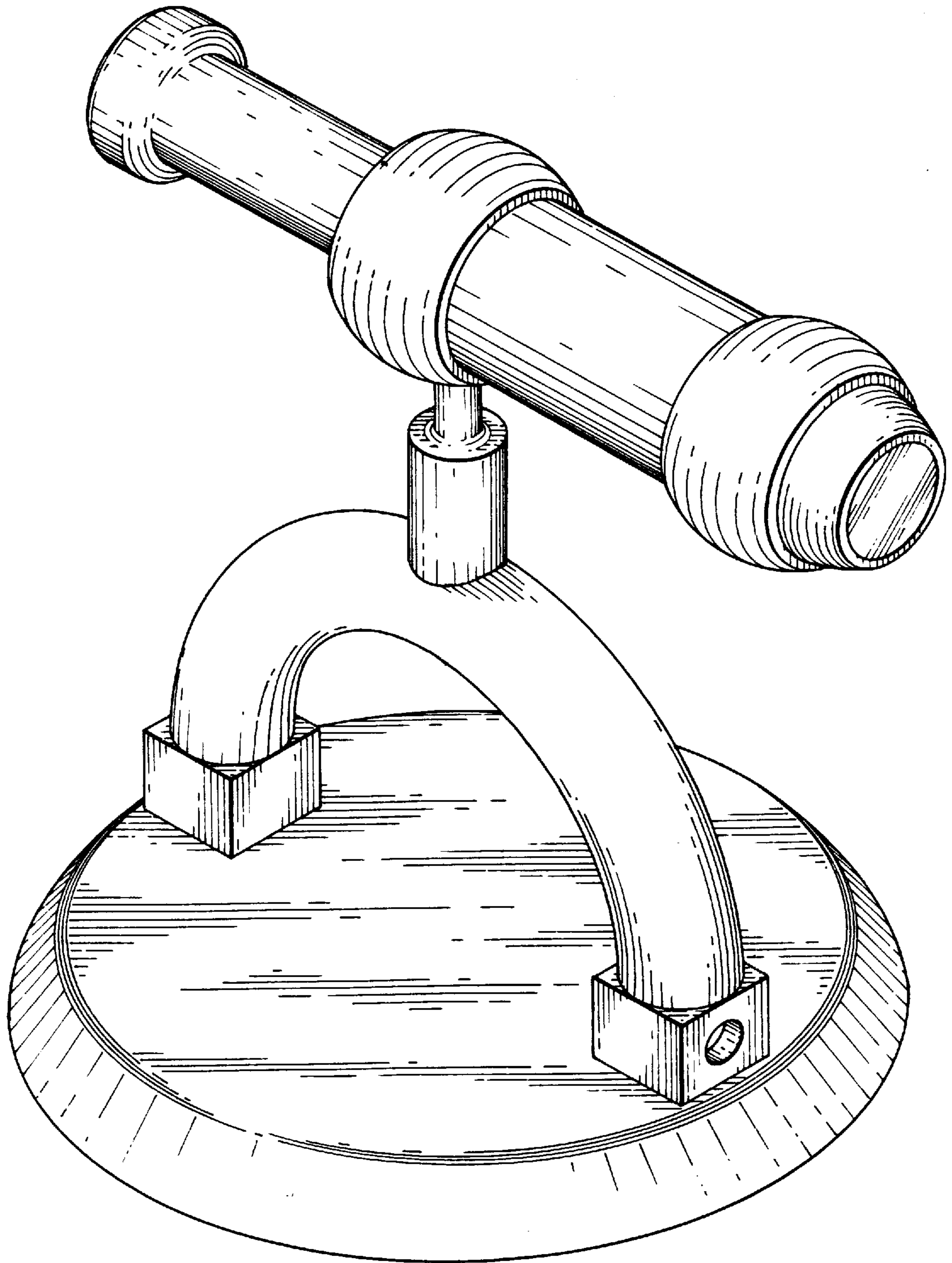


FIG. 1

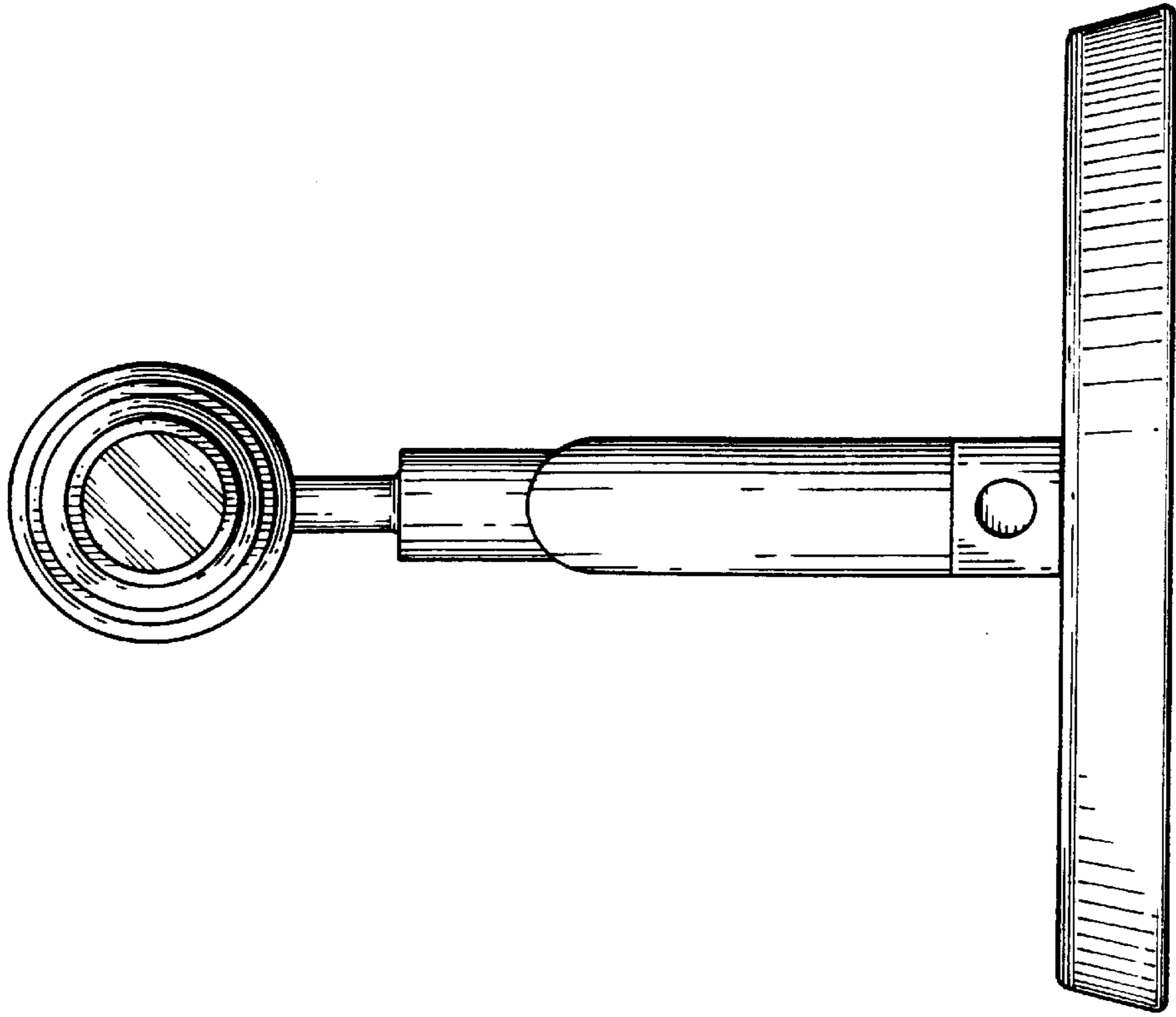


FIG. 2

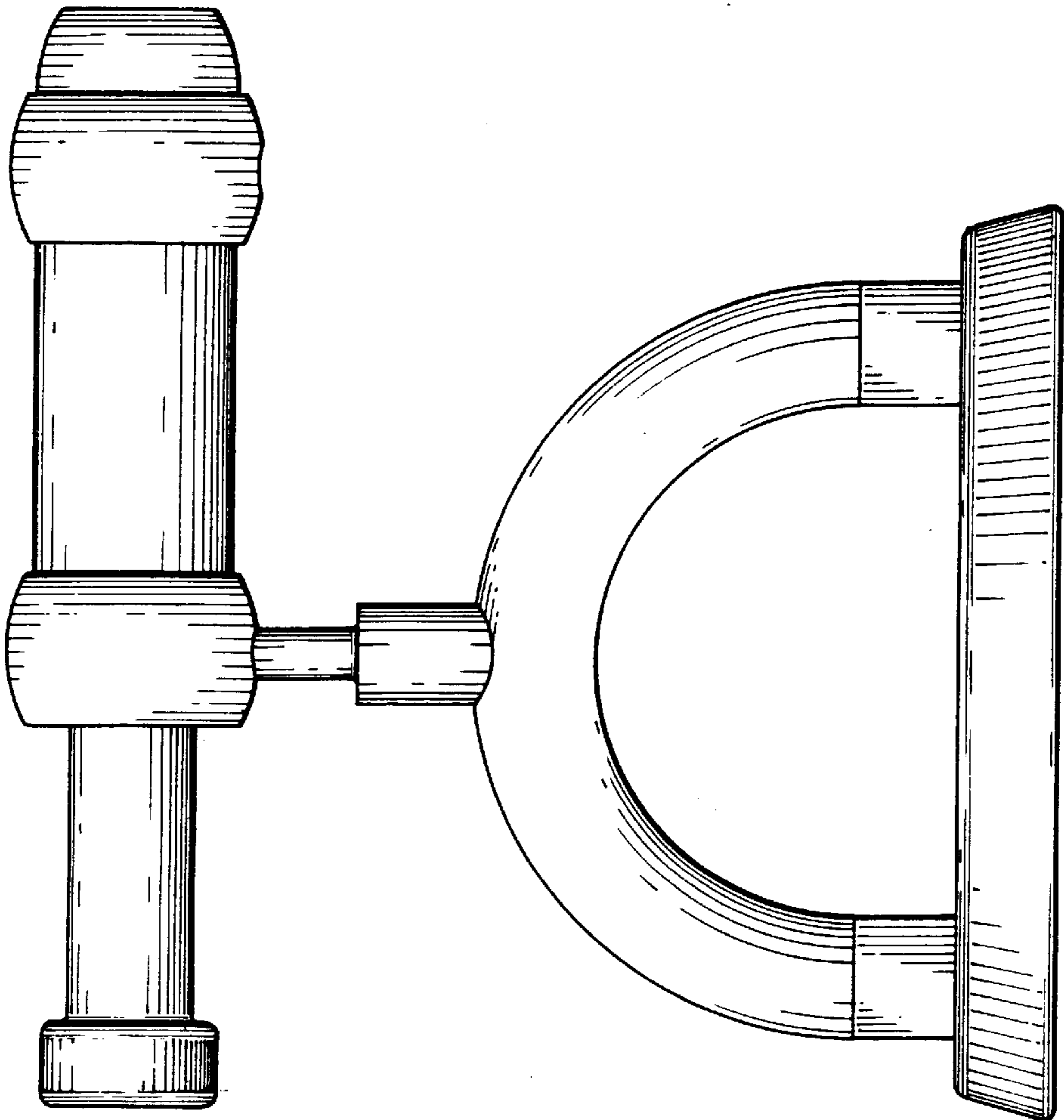


FIG. 3

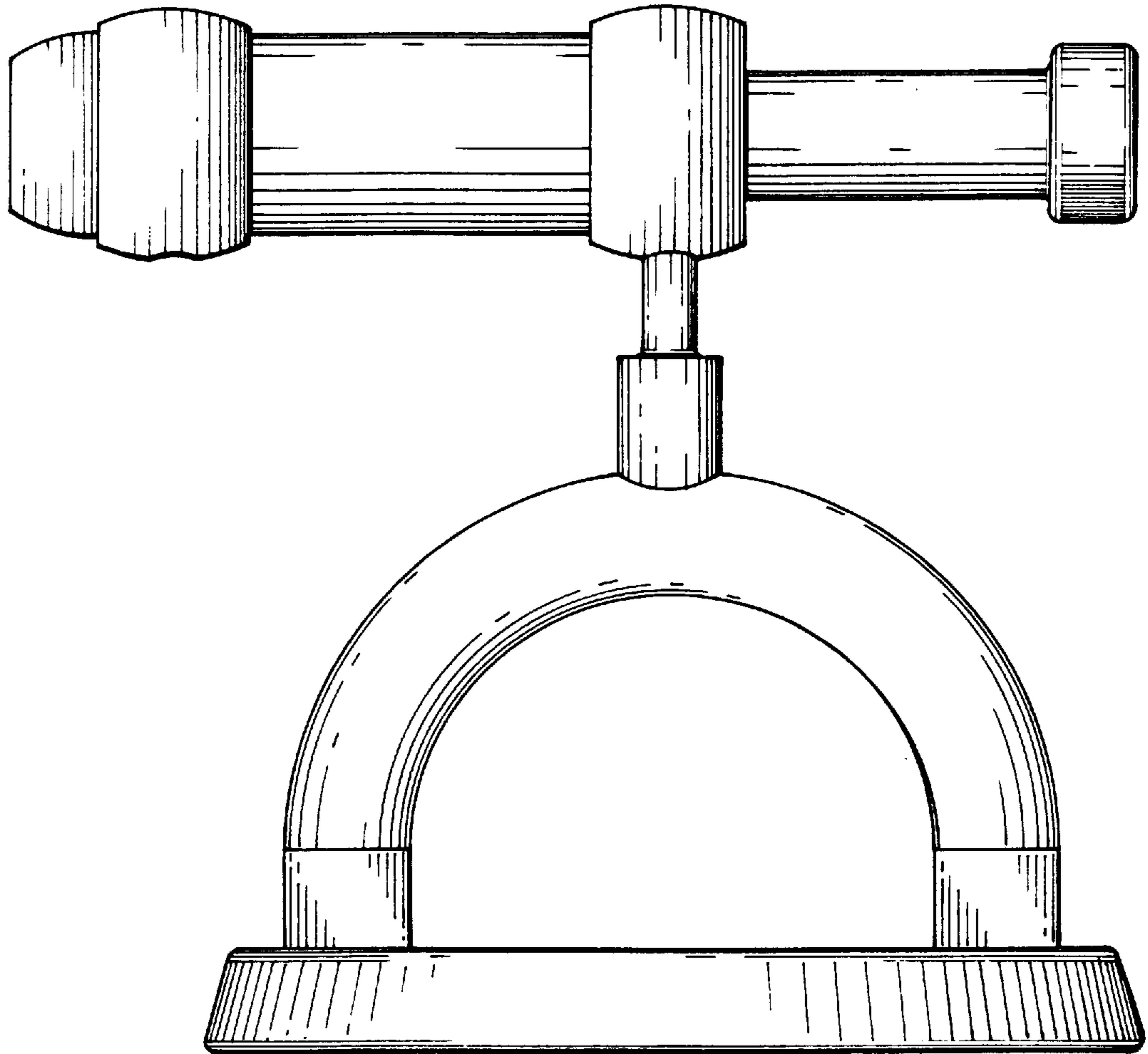


FIG. 4

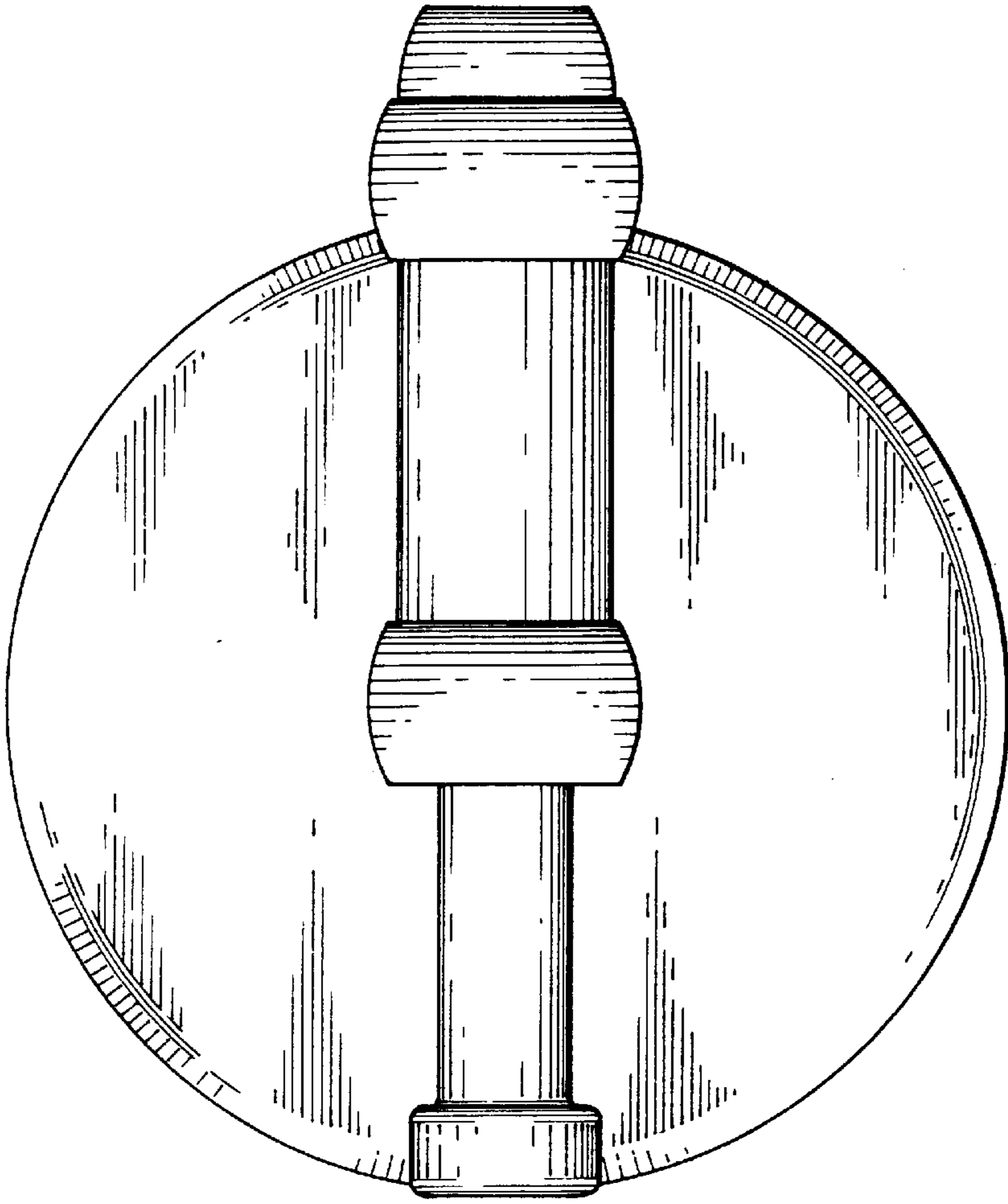


FIG. 6

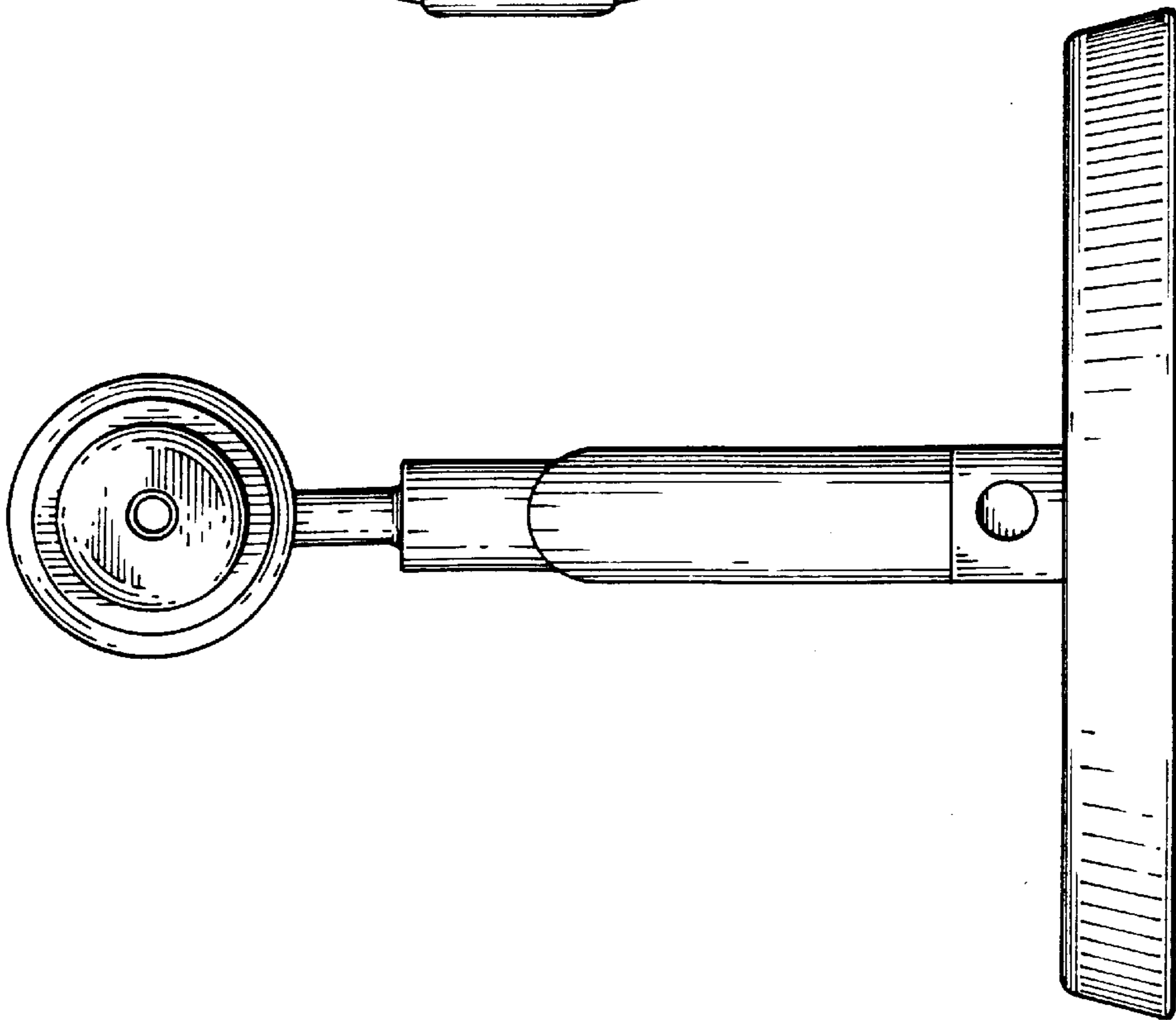


FIG. 5

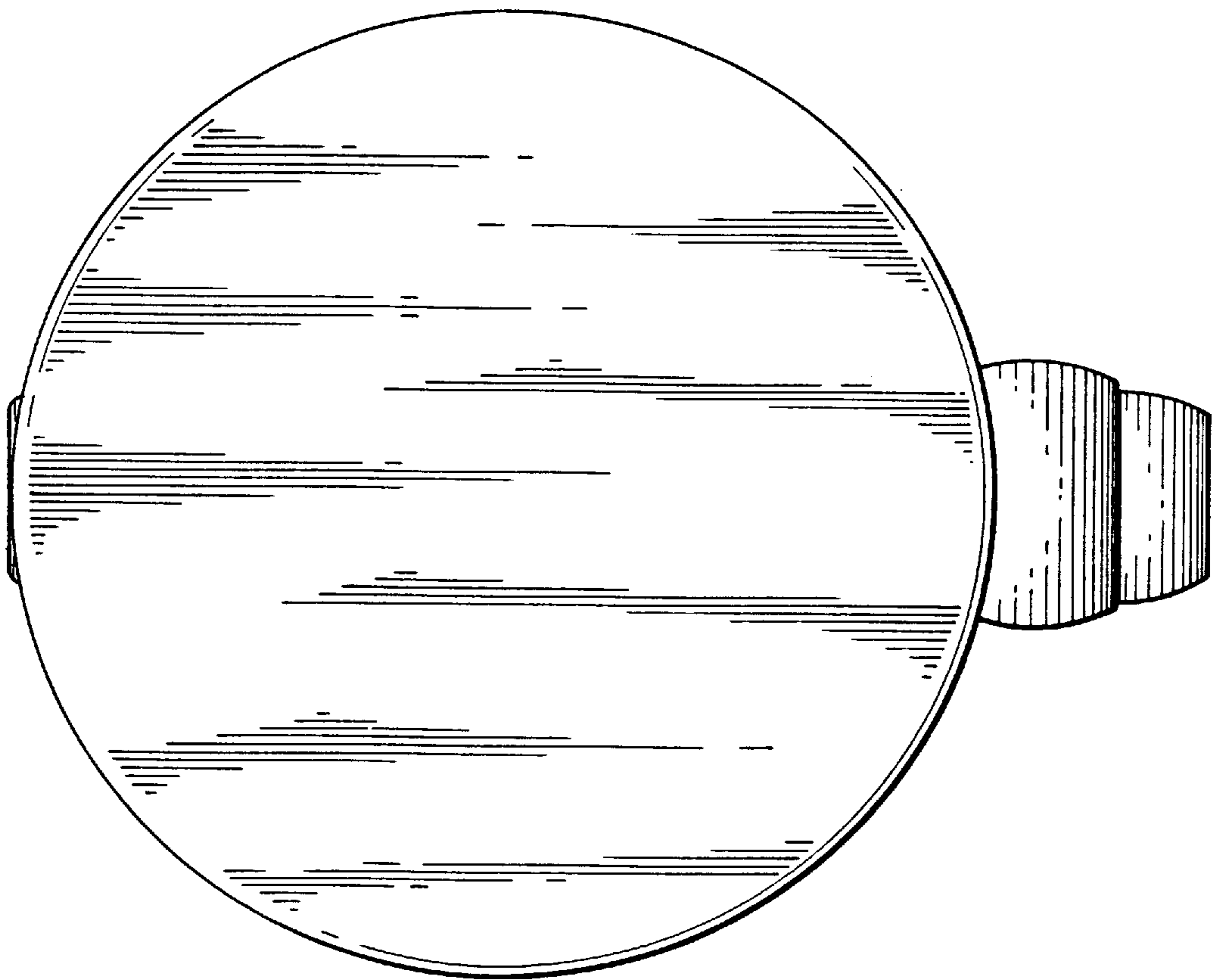


FIG. 7

UNITED STATES PATENT AND TRADEMARK OFFICE
CERTIFICATE OF CORRECTION

PATENT NO. : Des. 401,978

DATED : December 1, 1998

INVENTOR(S) : Chi-Man Wong

It is certified that error appears in the above-identified patent and that said Letters Patent is hereby corrected as shown below: On the title page:

item [73] Assignee: Line 7, delete "Hong Kong"
(second occurrence).

Signed and Sealed this
Thirtieth Day of March, 1999

Attest:



Q. TODD DICKINSON

Attesting Officer

Acting Commissioner of Patents and Trademarks