



US00D401976S

**United States Patent** [19]  
**Wong**

[11] **Patent Number: Des. 401,976**  
[45] **Date of Patent: \*\*Dec. 1, 1998**

[54] **TOY MICROSCOPE**  
[75] Inventor: **Chi-Man Wong**, Kwai Chung, Hong Kong  
[73] Assignee: **Edu-Science (H.K.) Limited**, Hong Kong, Hong Kong  
[\*\*] Term: **14 Years**  
[21] Appl. No.: **77,013**  
[22] Filed: **Sep. 17, 1997**  
[51] **LOC (6) Cl.** ..... **21-02**  
[52] **U.S. Cl.** ..... **D21/109**  
[58] **Field of Search** ..... D16/130-132;  
D21/59, 109; 446/219, 408, 153; 359/368,  
399-403

D. 374,020 9/1996 Dunn ..... D16/131  
1,837,993 12/1931 Patterson .  
2,101,936 12/1937 Gallasch .  
4,192,580 3/1980 Meyer ..... 446/219  
4,469,411 9/1984 Clegg .  
5,691,841 11/1997 Ohsaki et al. .... 359/368

*Primary Examiner*—Raphael Barkai  
*Attorney, Agent, or Firm*—Samuels, Gauthier, Stevens & Reppert

[57] **CLAIM**

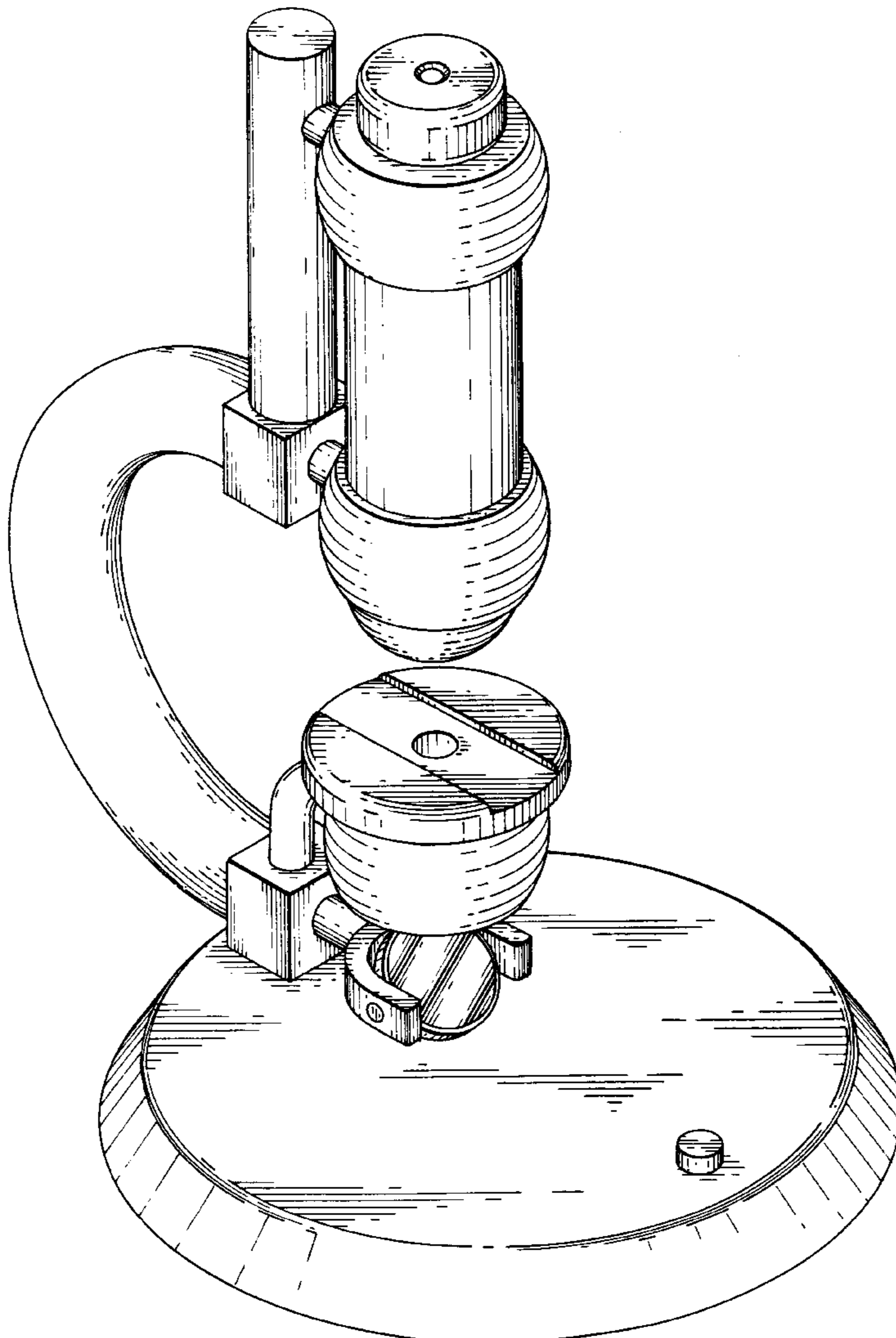
The ornamental design for a “toy microscope”, as show and described.

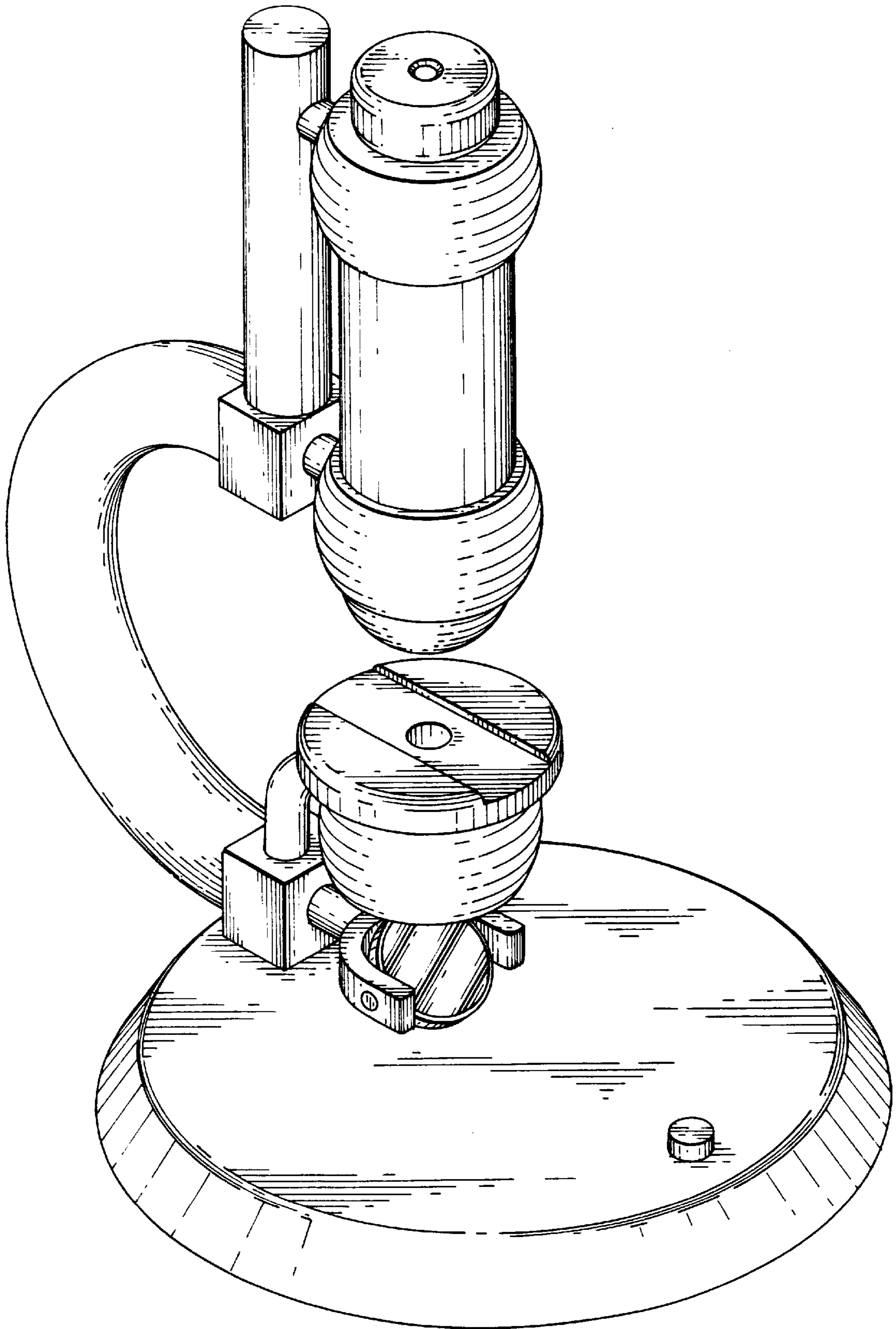
**DESCRIPTION**

FIG. 1 is the front perspective view showing my new design; FIG. 2 is the front view thereof; FIG. 3 is the left-hand view thereof; FIG. 4 is the right-hand view thereof; FIG. 5 is the rear view thereof; FIG. 6 is the top view thereof; and, FIG. 7 is the bottom view thereof.

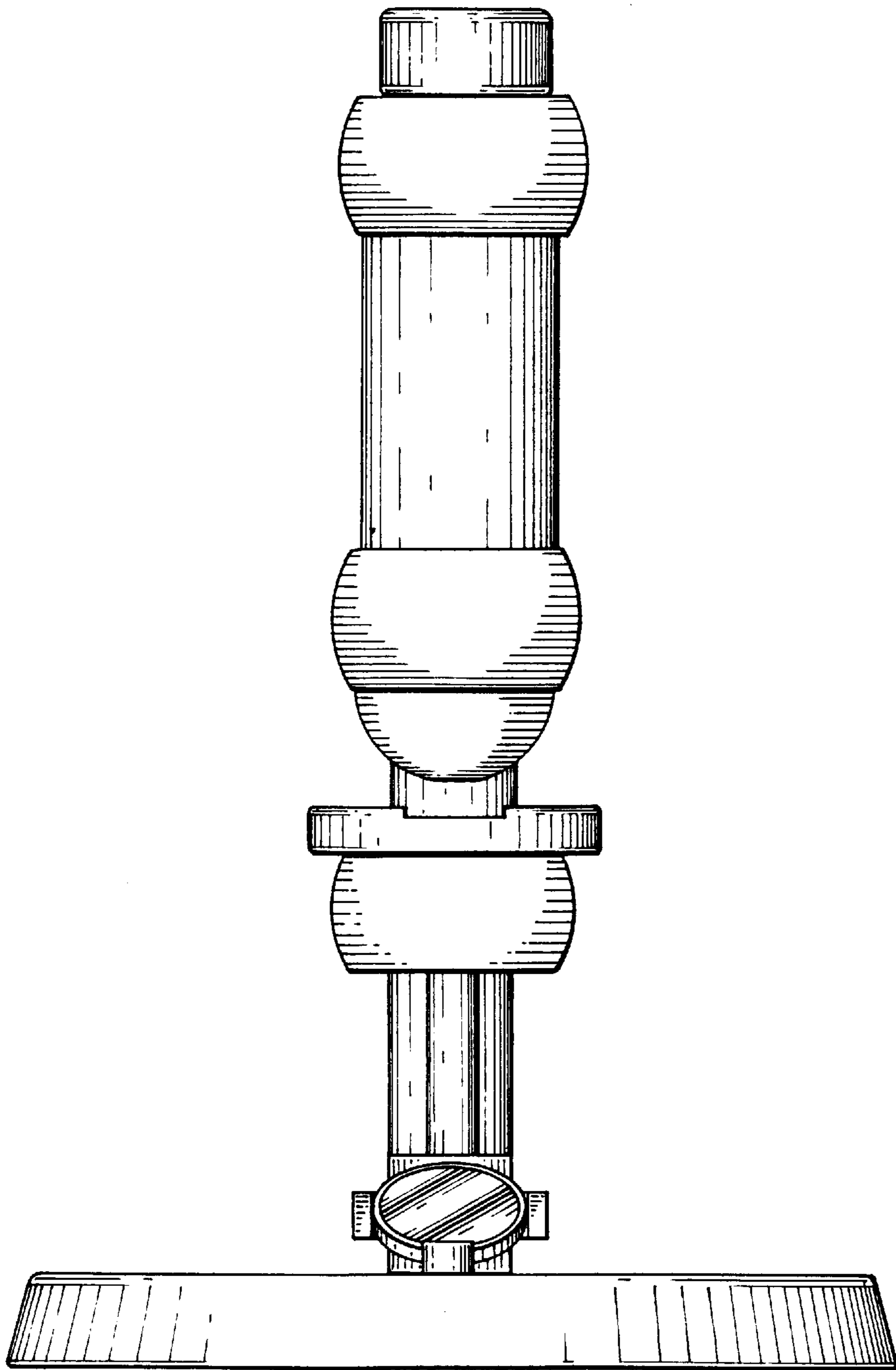
[56] **References Cited**  
**U.S. PATENT DOCUMENTS**  
D. 92,394 6/1934 Fassin .  
D. 301,498 6/1989 Nuttal et al. .... D21/109

**1 Claim, 6 Drawing Sheets**

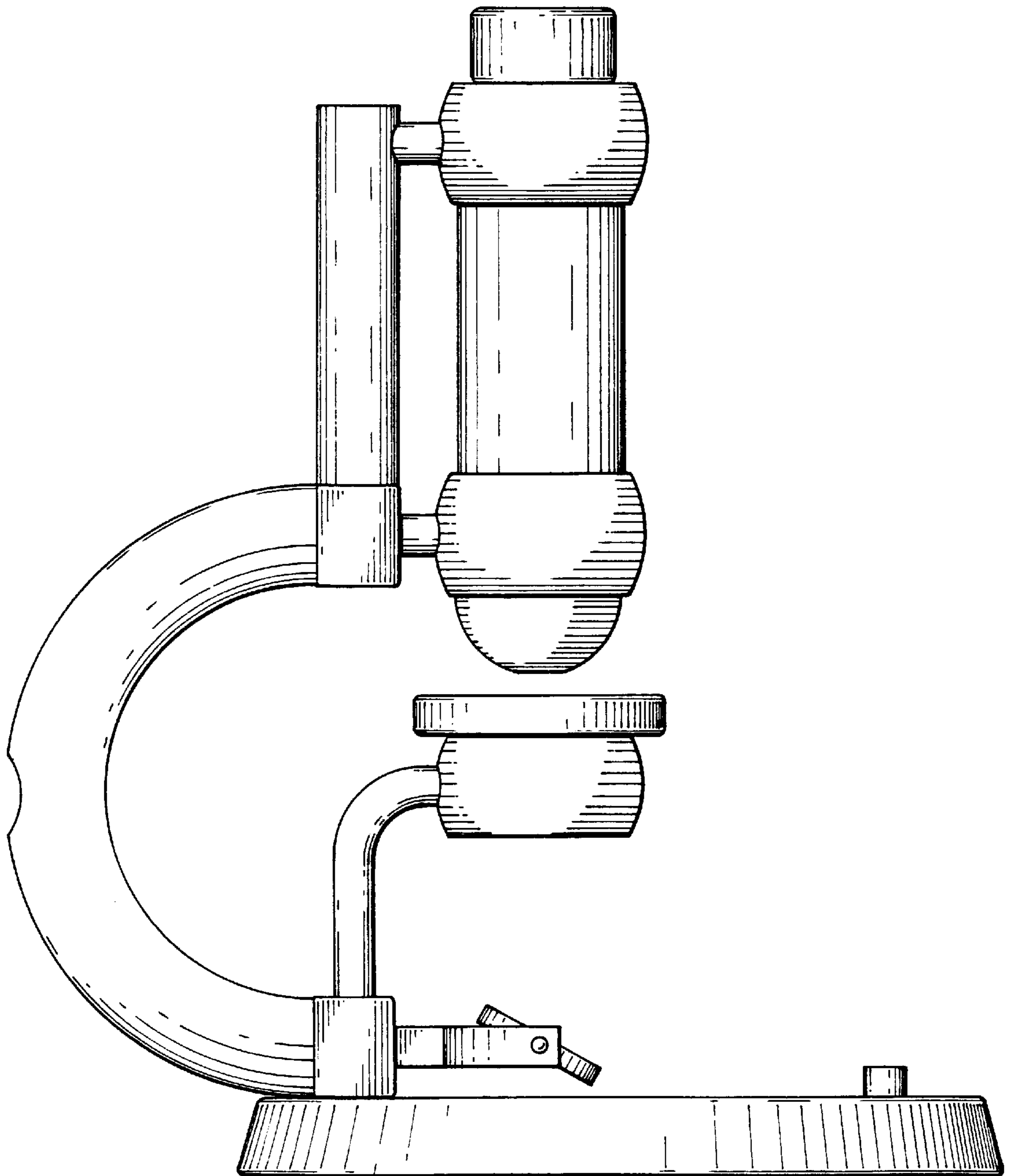




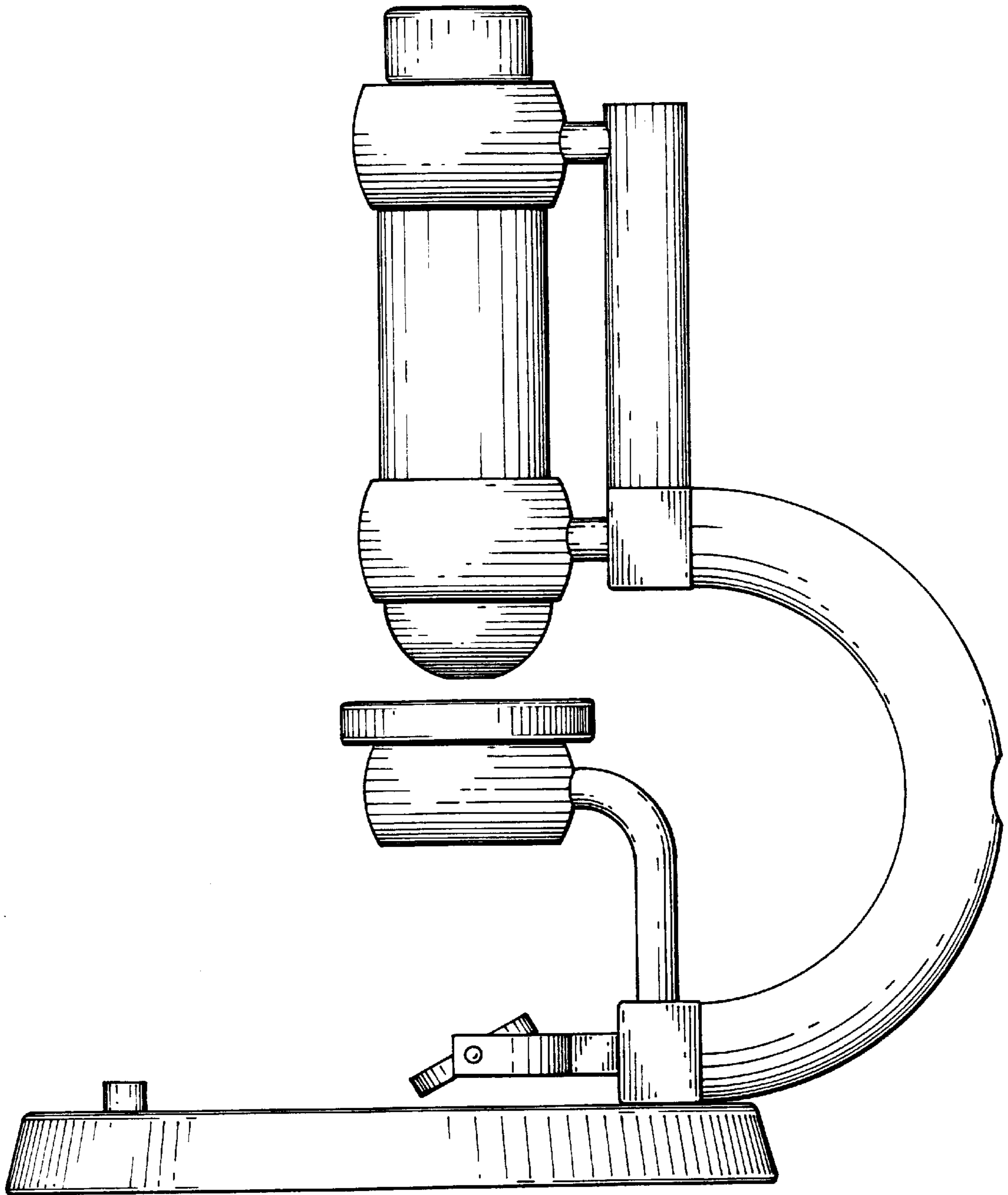
*FIG. 1*



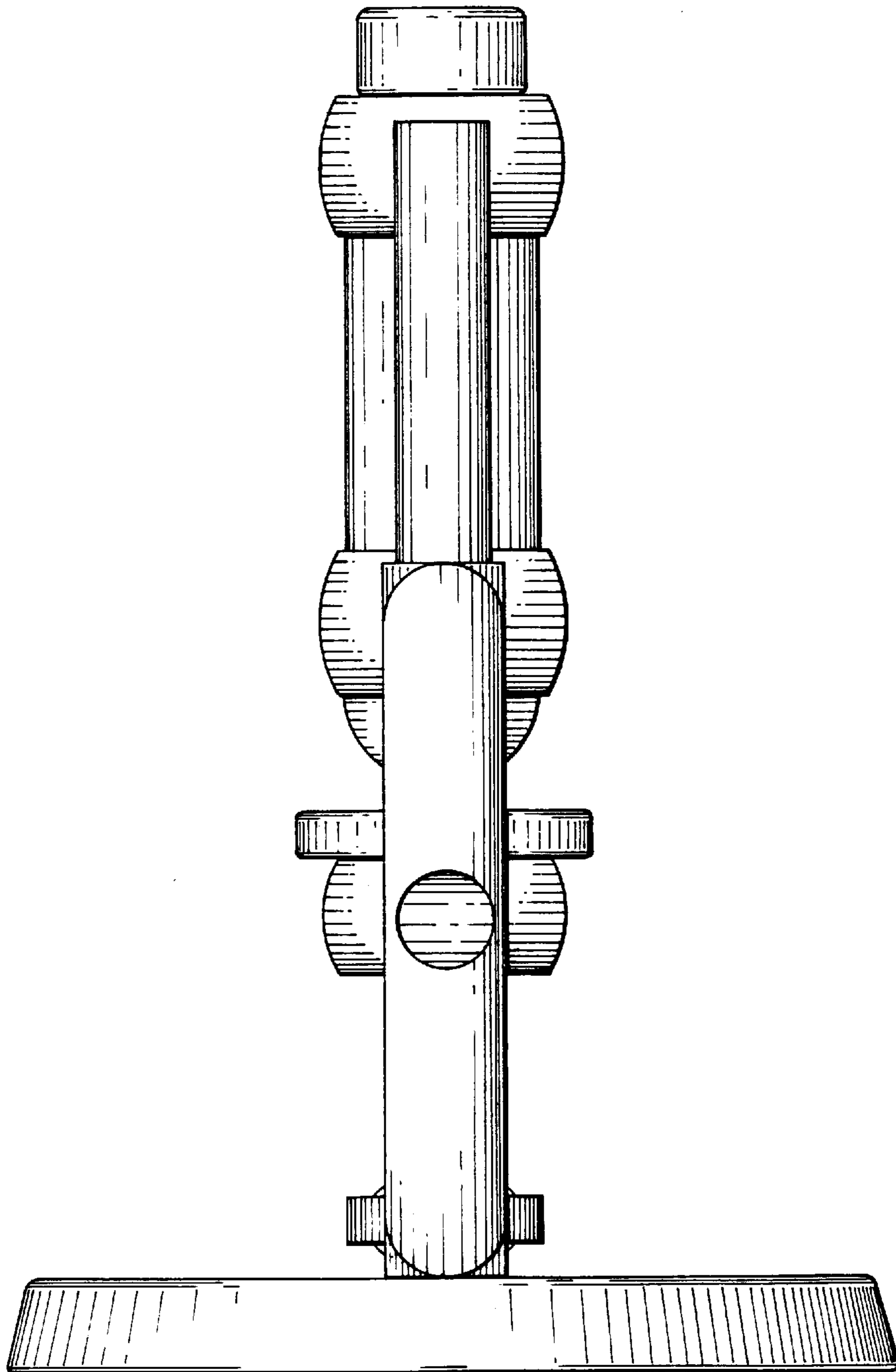
*FIG. 2*



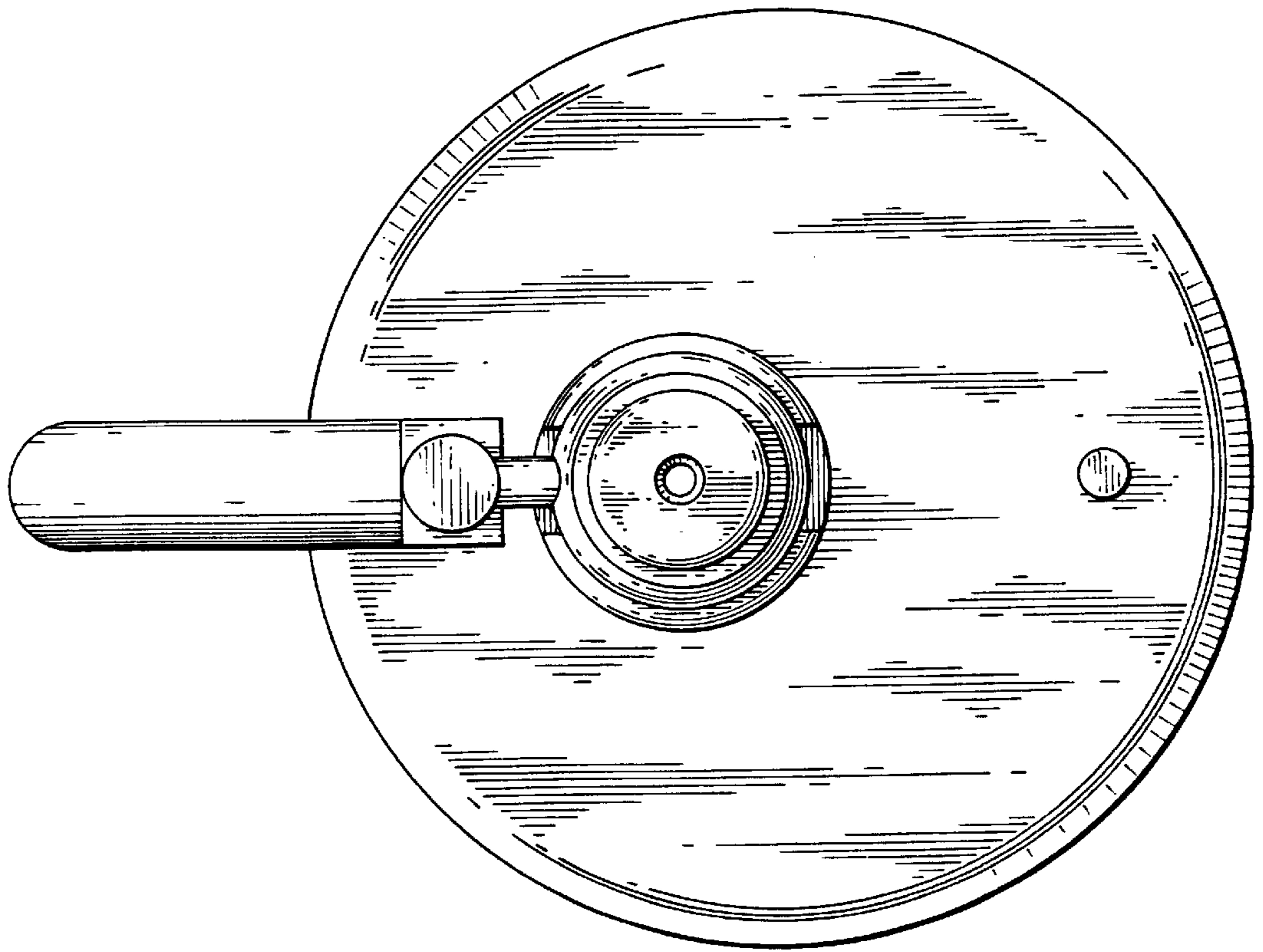
*FIG. 3*



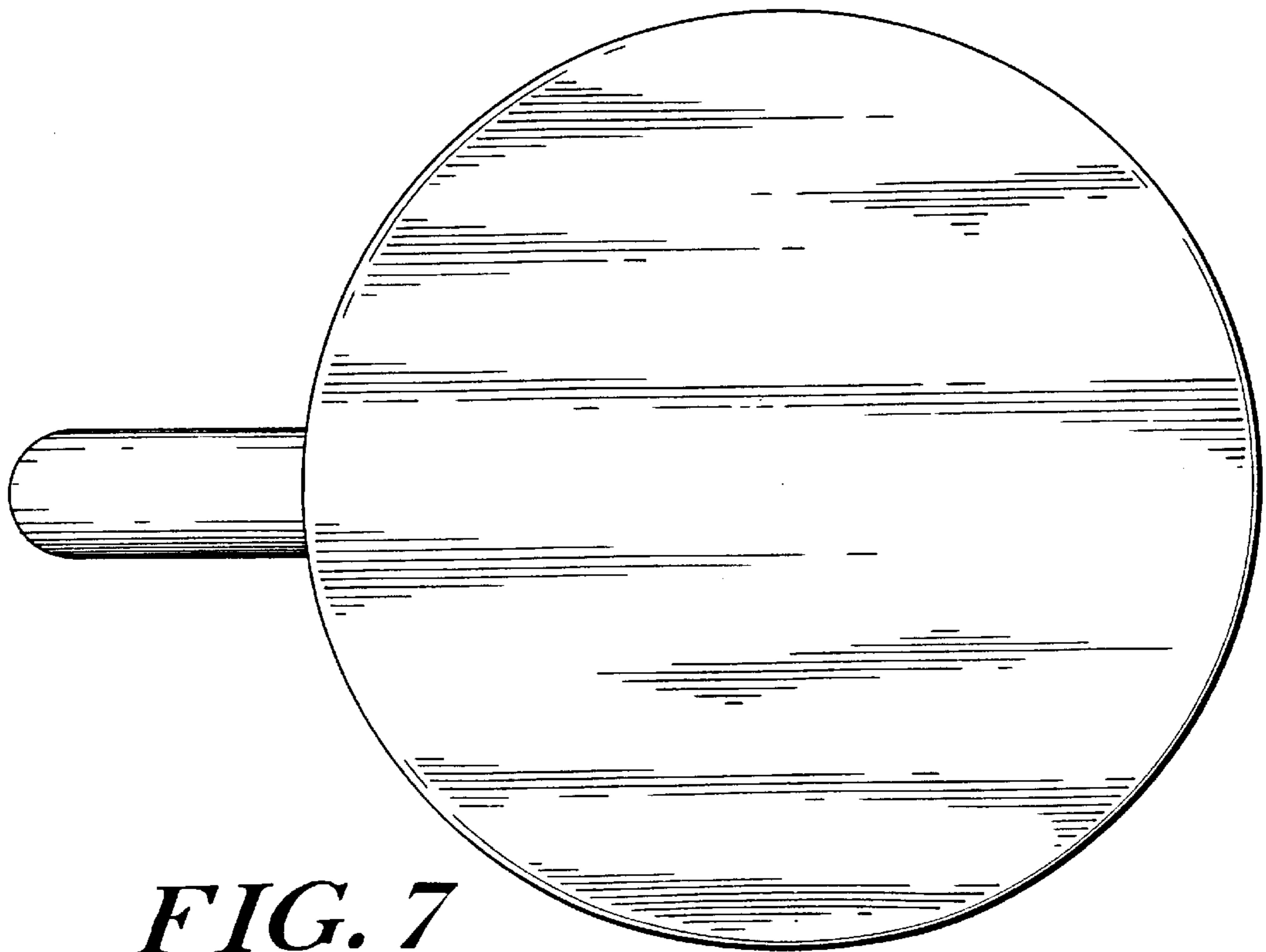
*FIG. 4*



*FIG. 5*



*FIG. 6*



*FIG. 7*

UNITED STATES PATENT AND TRADEMARK OFFICE  
**CERTIFICATE OF CORRECTION**

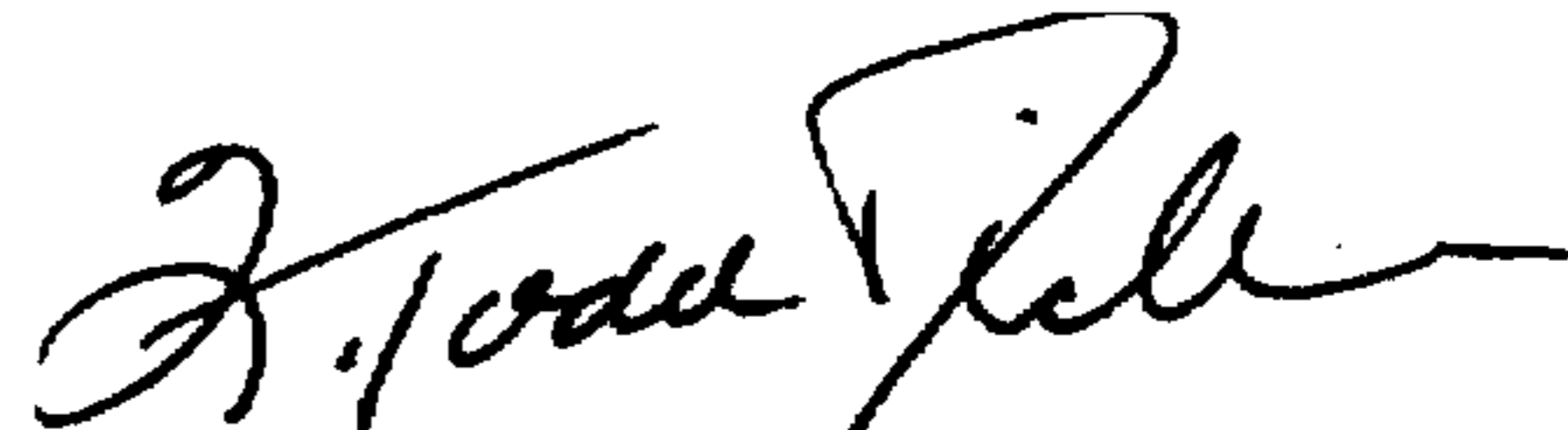
PATENT NO. : Des. 401,976  
DATED : December 1, 1998  
INVENTOR(S) : Chi-Man Wong

It is certified that error appears in the above-identified patent and that said Letters Patent is hereby corrected as shown below:

On the title page, item [73] Assignee: Line 7, delete "Hong Kong" (second occurrence).

Signed and Sealed this  
Twenty-third Day of March, 1999

Attest:



Q. TODD DICKINSON

Attesting Officer

Acting Commissioner of Patents and Trademarks