



US00D401974S

United States Patent [19]
Oikawa

[11] **Patent Number: Des. 401,974**

[45] **Date of Patent: **Dec. 1, 1998**

[54] **CONTROLLER FOR VIDEO GAME MACHINE**

10246 4/1996 Japan .

OTHER PUBLICATIONS

[75] Inventor: **Akitoshi Oikawa**, Tokyo, Japan

The Final Word on Games!, Produced by Denpa Newspaper Company Published Mar. 2, 1990, Japan.

[73] Assignee: **Sega Enterprises, Ltd.**, Tokyo, Japan

The Final Word on Games!, Produced by NEC Avenue Published Apr. 13, 1990, Japan.

[**] Term: **14 Years**

Hongkong Enterprise Oct. 1994, p. 137.

[21] Appl. No.: **61,349**

Primary Examiner—Prabhakar G. Deshmukh

[22] Filed: **Oct. 22, 1996**

Attorney, Agent, or Firm—Michael N. Meller

[30] **Foreign Application Priority Data**

[57] **CLAIM**

Apr. 23, 1996 [JP] Japan 8-11778 U

The ornamental design for a controller for video game machine, as shown and described.

[51] **LOC (6) Cl.** **21-01**

DESCRIPTION

[52] **U.S. Cl.** **D21/48**

FIG. 1 is a front, bottom and right side perspective view of a controller for video game machine showing my new design;

[58] **Field of Search** D21/1, 13, 48; 273/148 B; 463/30-47, 1; D14/114, 217

FIG. 2 is a top, rear and right side perspective view thereof;

[56] **References Cited**

U.S. PATENT DOCUMENTS

- D. 340,748 10/1993 Li D21/48
- D. 351,870 10/1994 Leung D21/48
- D. 372,941 8/1996 Oikawa D21/48
- D. 376,826 12/1996 Ashida D21/48
- 4,870,389 9/1989 Ishiwata et al. 273/148 B X
- 5,207,426 5/1993 Inoue et al. 273/148 B

FIG. 3 is a front view thereof;

FIG. 4 is a top view thereof;

FIG. 5 is a rear view thereof;

FIG. 6 is a bottom view thereof;

FIG. 7 is a right side view thereof; and,

FIG. 8 is a left side view thereof.

FOREIGN PATENT DOCUMENTS

8123 3/1996 Japan .

1 Claim, 5 Drawing Sheets

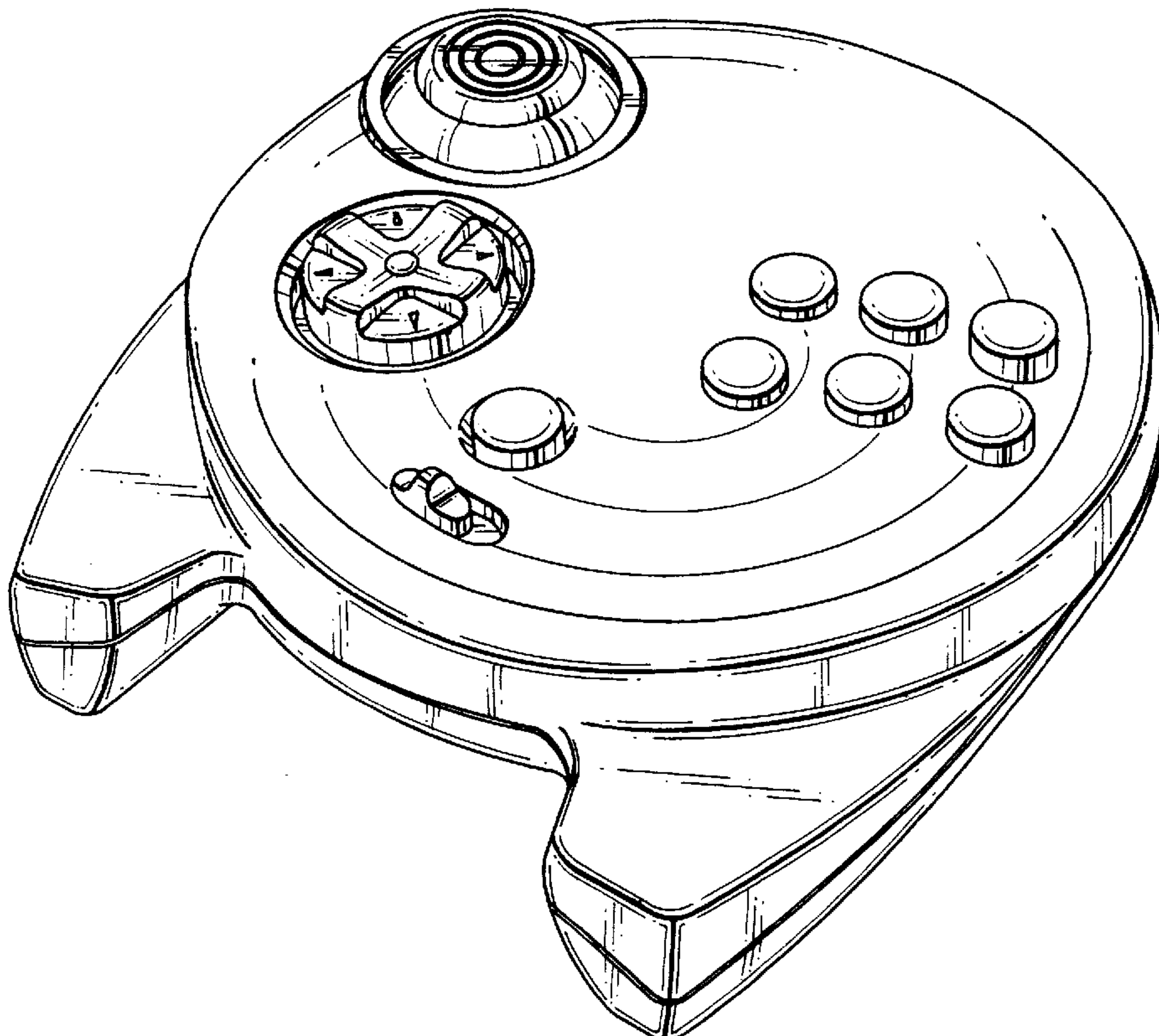


FIG. 1

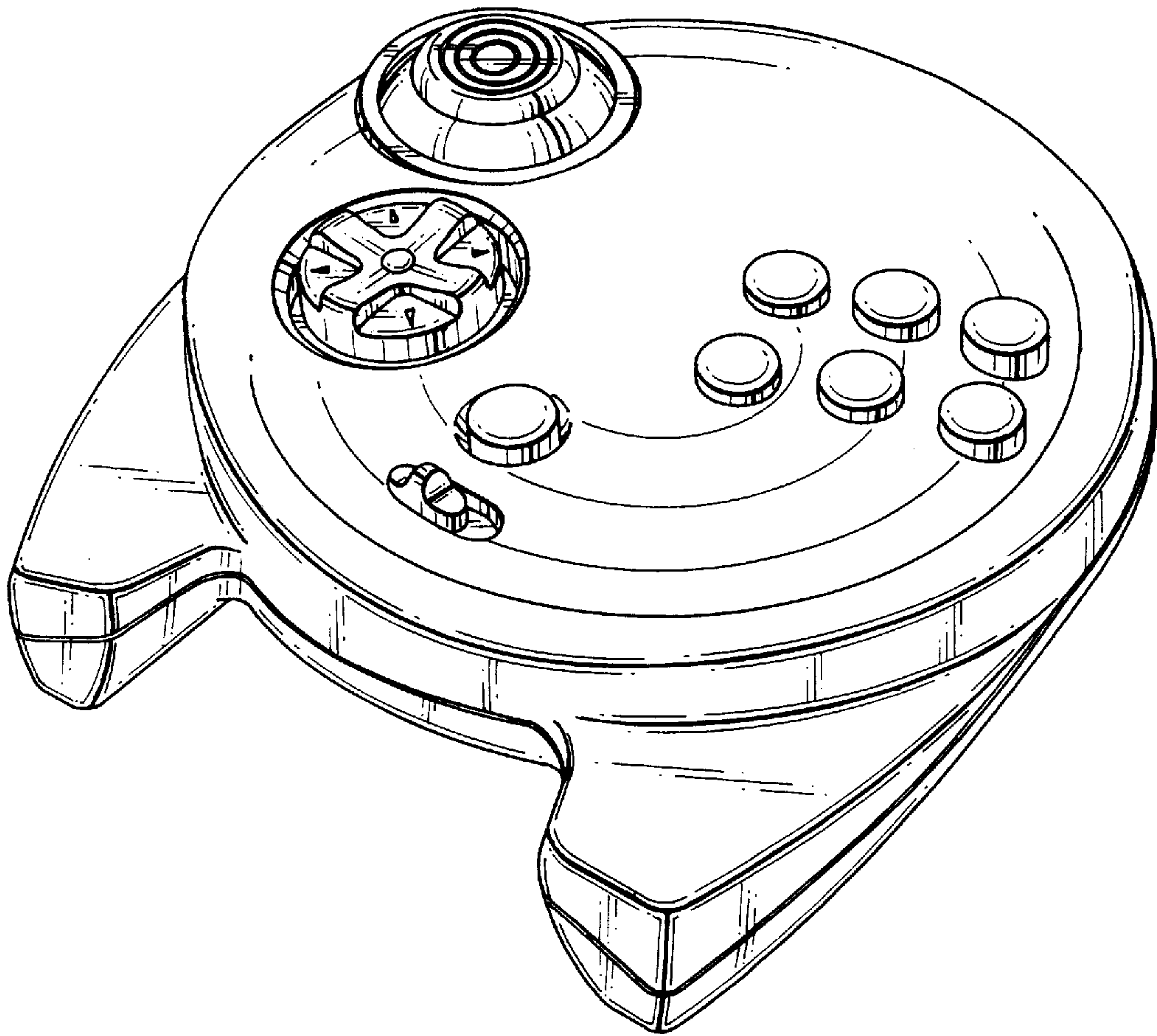


FIG. 2

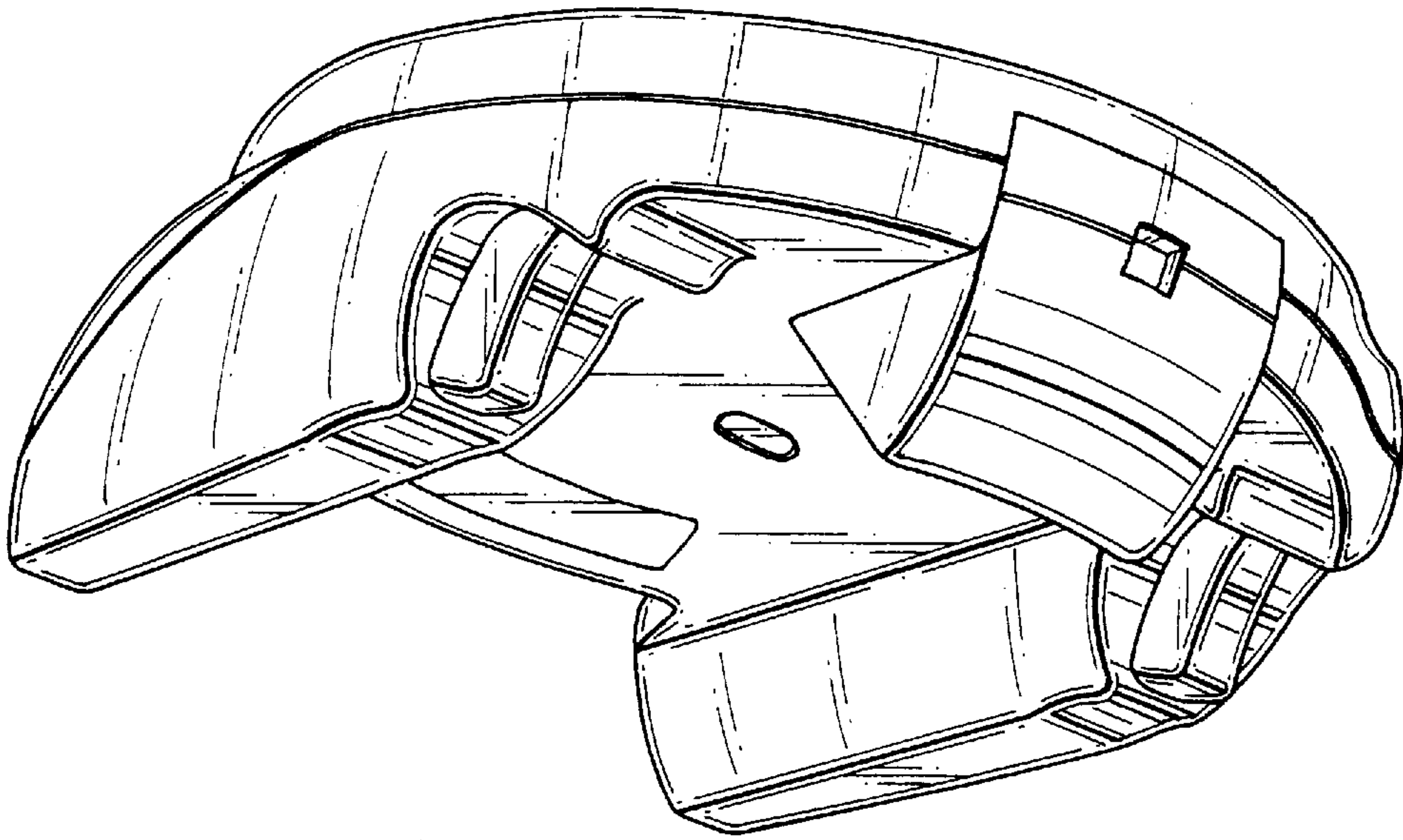


FIG. 3

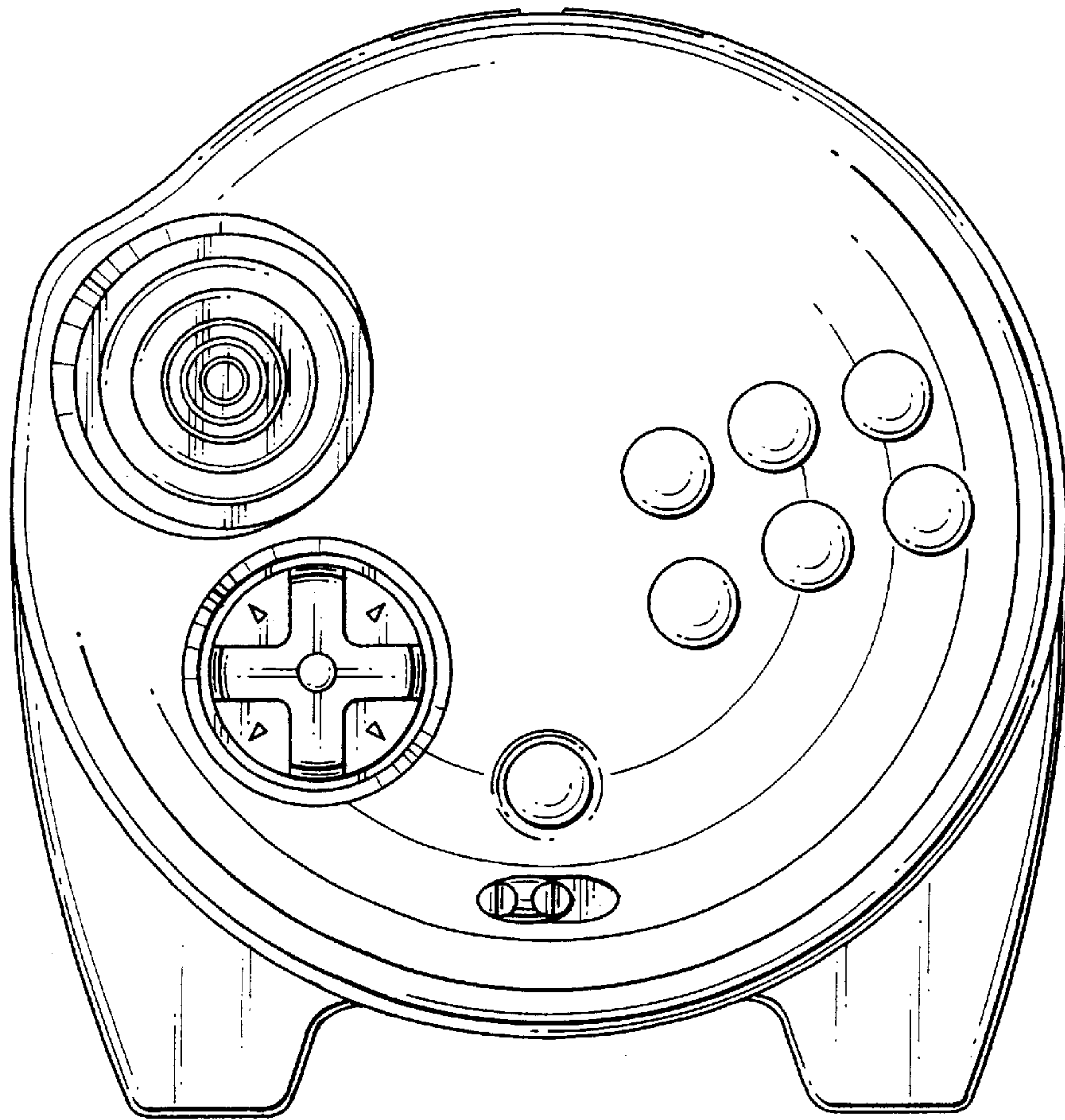


FIG. 4

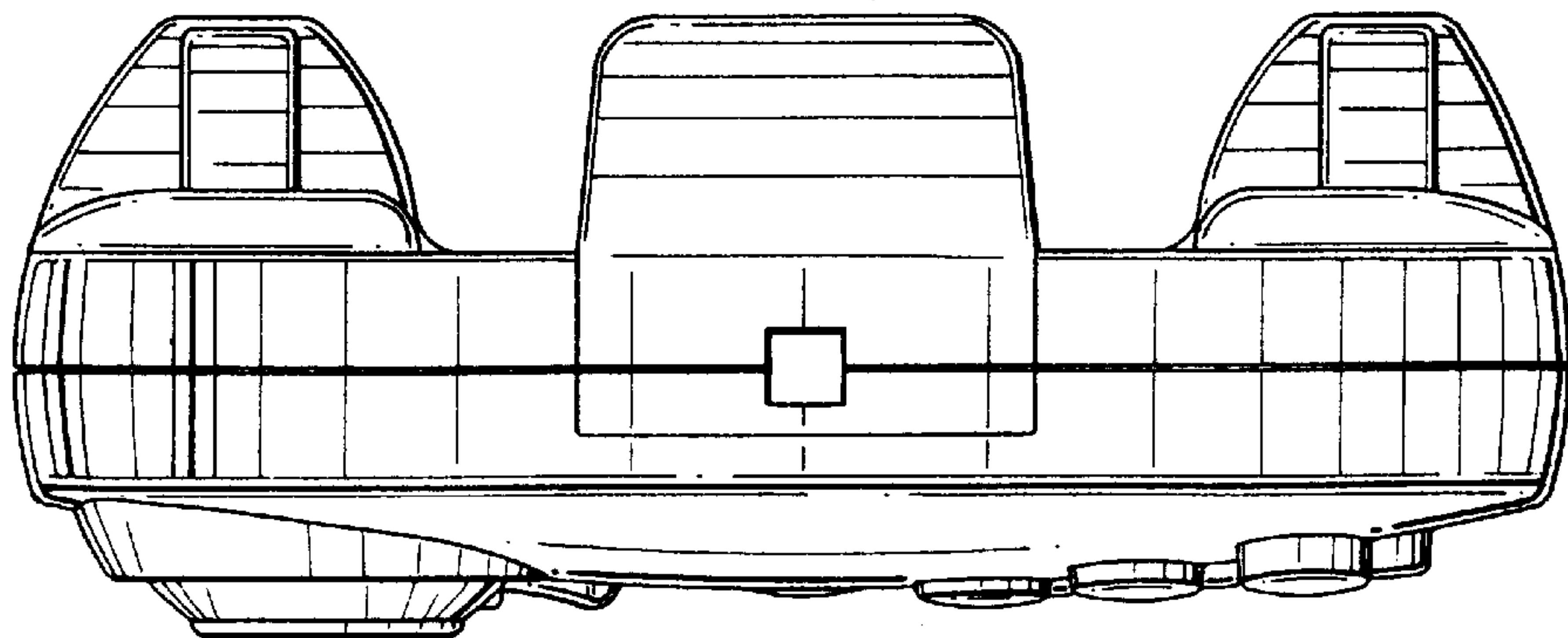


FIG. 5

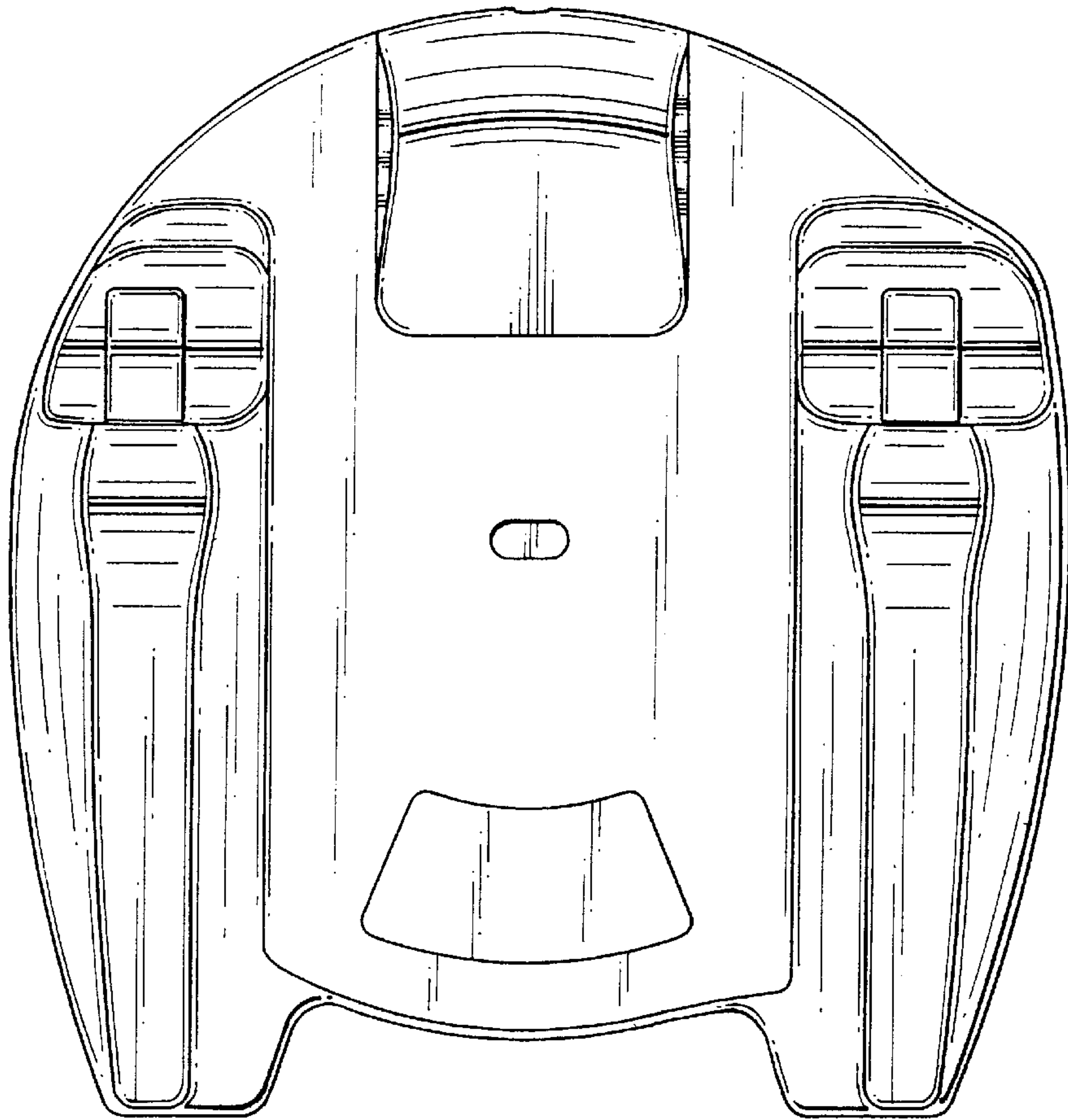


FIG. 6

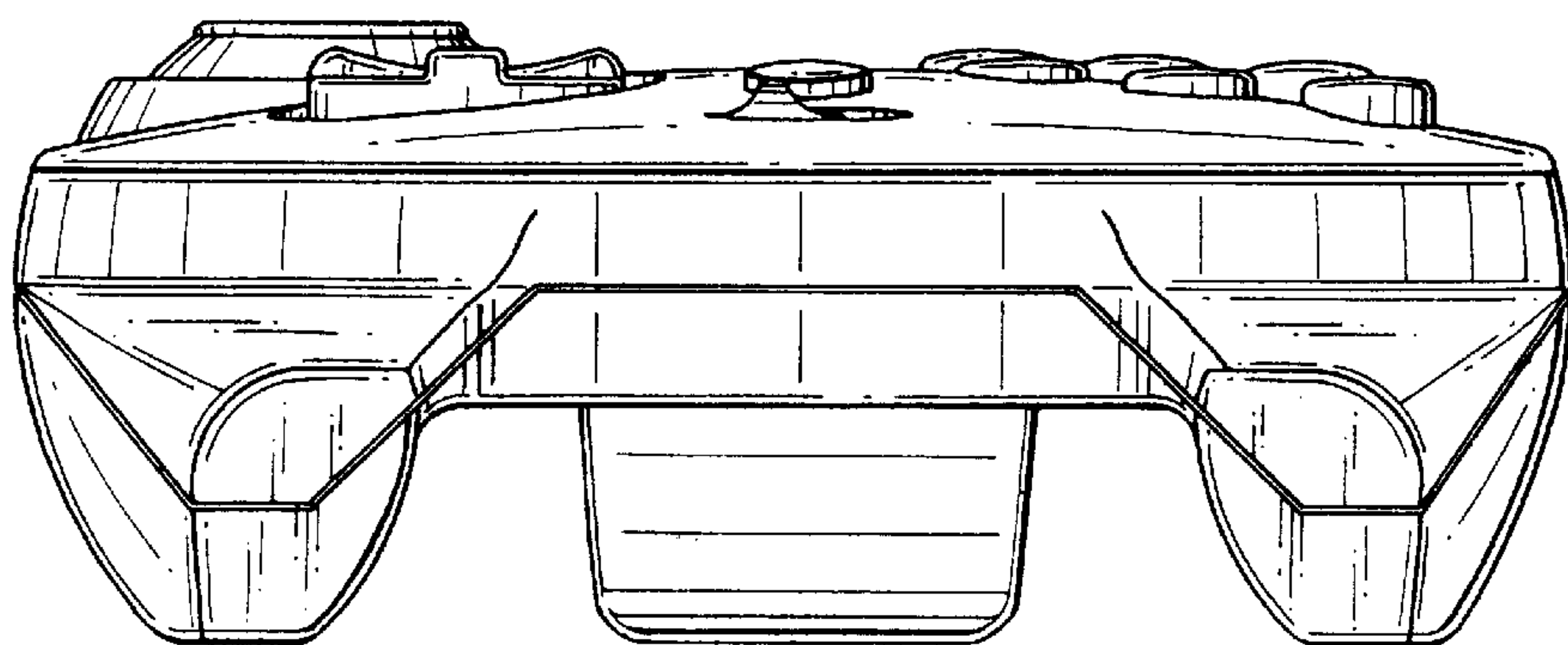


FIG. 7

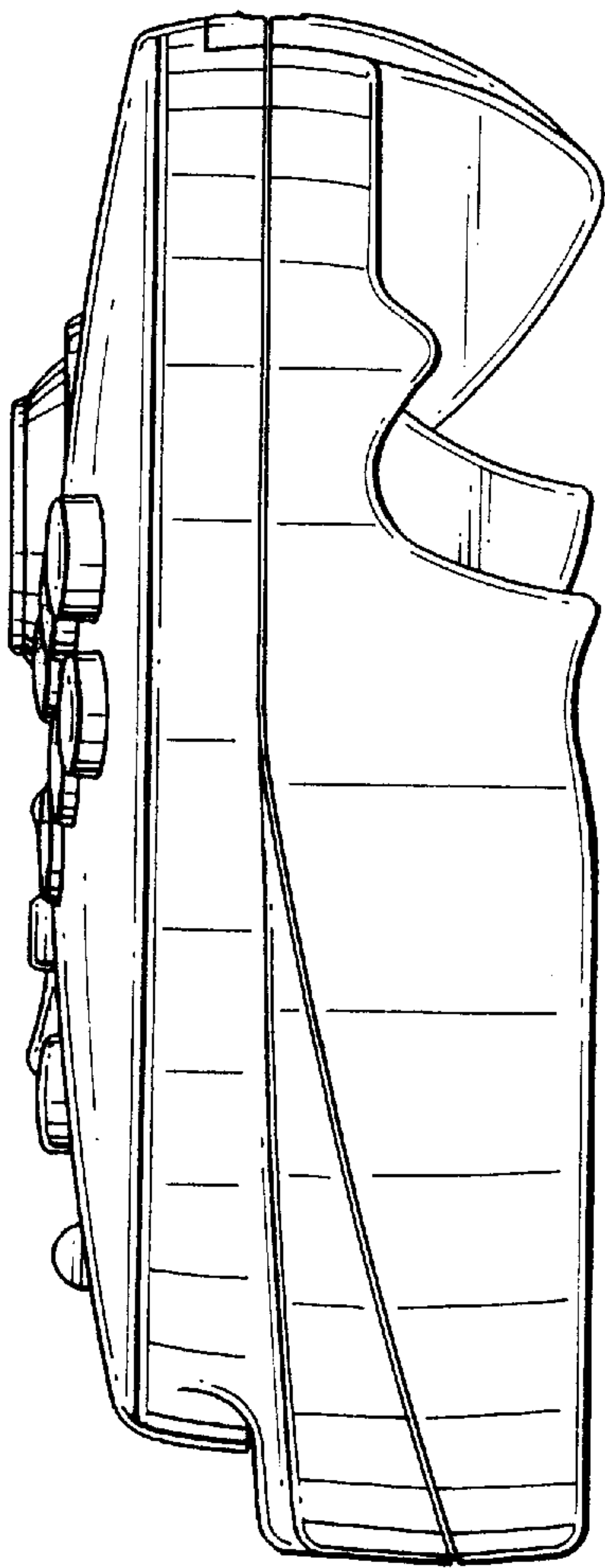


FIG. 8

