



US00D401970S

United States Patent [19] Langerak

[11] **Patent Number: Des. 401,970**

[45] **Date of Patent: **Dec. 1, 1998**

[54] **GIRDING TOOL**

[75] Inventor: **Alfred Langerak**, Mijsherenland,
Netherlands

[73] Assignee: **Household Innovations International
B.V.**, Rotterdam, Netherlands

[**] Term: **14 Years**

[21] Appl. No.: **54,232**

[22] Filed: **May 10, 1996**

[30] **Foreign Application Priority Data**

Nov. 13, 1995 [XH] Hague Agreement DM/034683

[51] **LOC (6) Cl.** **19-02**

[52] **U.S. Cl.** **D19/69; D19/65**

[58] **Field of Search** D19/65, 67, 68,
D19/69, 95, 99, 100; 225/6, 7, 19, 24, 25,
34, 45, 56, 65, 77, 89; 156/327, 510, 523,
527, 554; 24/916, 405, 398

[56] **References Cited**

U.S. PATENT DOCUMENTS

D. 211,615 7/1968 Stephens D19/68

D. 333,601 3/1993 Wingert D8/49
D. 369,832 5/1996 Poole D19/69
898,609 9/1908 Simpson 156/534
2,487,351 11/1949 Marsh 156/526

Primary Examiner—Martie K. Holtje
Attorney, Agent, or Firm—Marshall, O’Toole, Gerstein,
Murray & Borun

[57] **CLAIM**

The ornamental design for a girding tool, as shown and described.

DESCRIPTION

FIG. 1 is a perspective view of the girding tool showing my new design;
FIG. 2 is a top view thereof;
FIG. 3 is a front view thereof;
FIG. 4 is a rear view thereof;
FIG. 5 is a bottom view thereof;
FIG. 6 is a right side view thereof; and,
FIG. 7 is a left side view thereof.

1 Claim, 2 Drawing Sheets

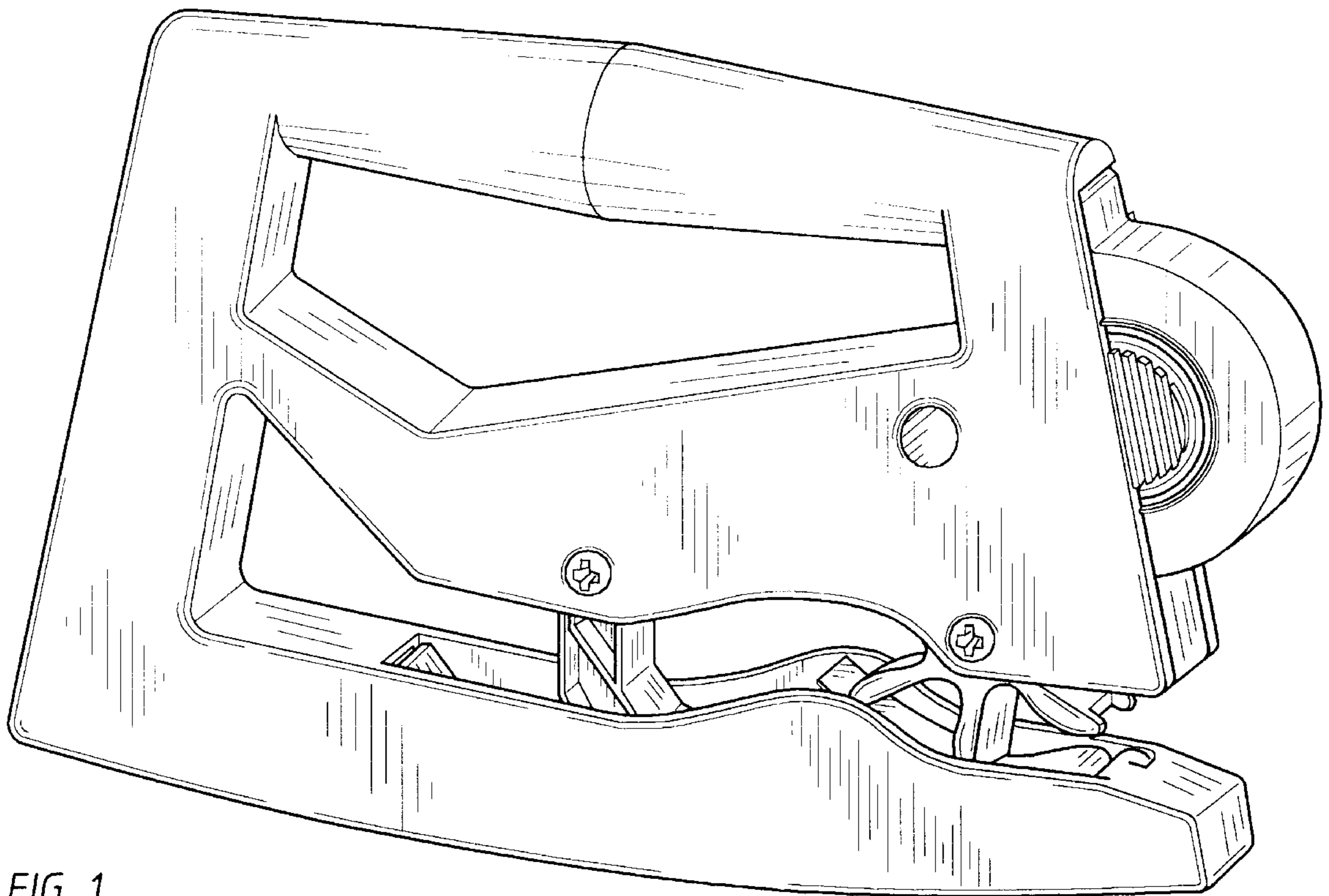


FIG. 1.

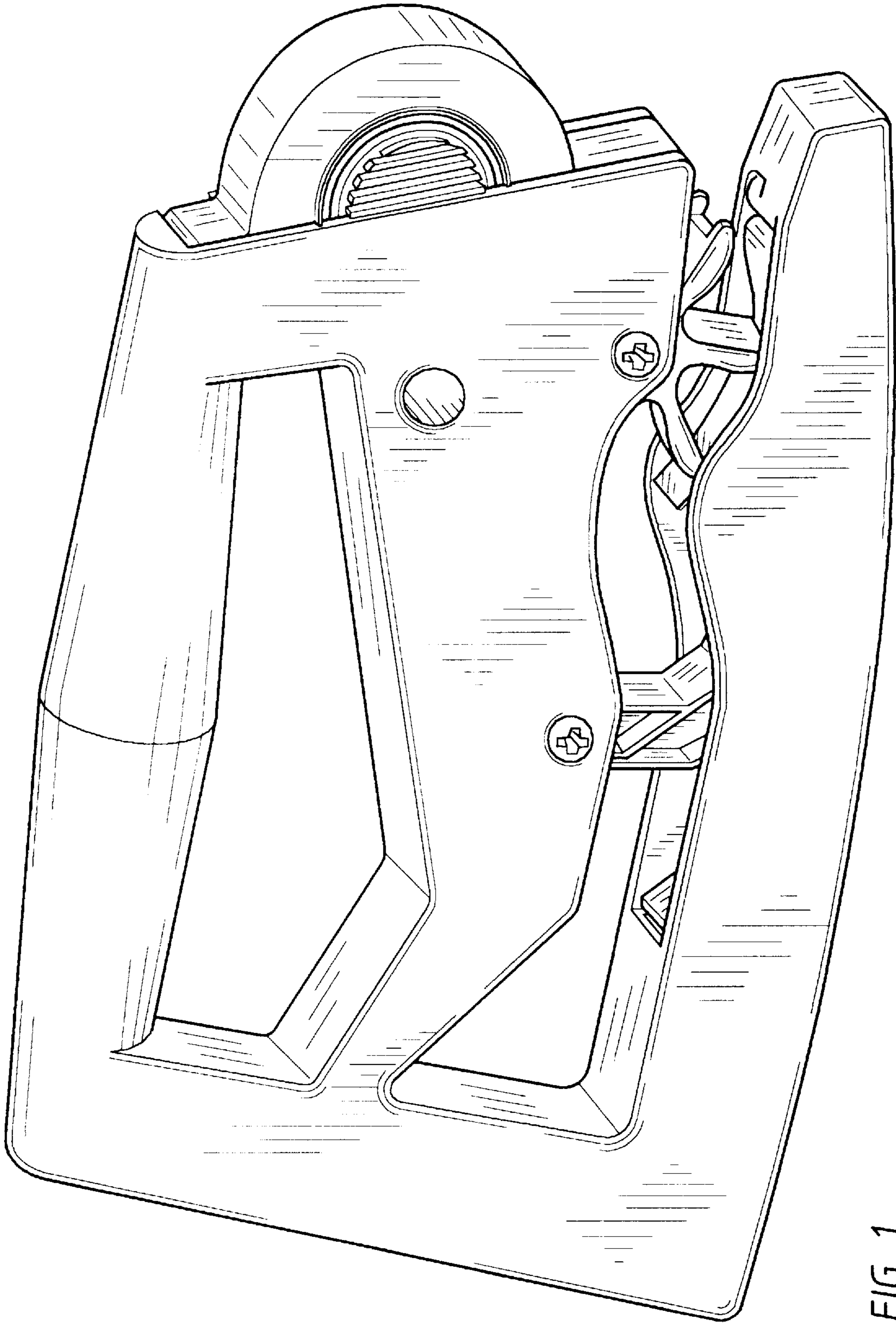


FIG. 1.

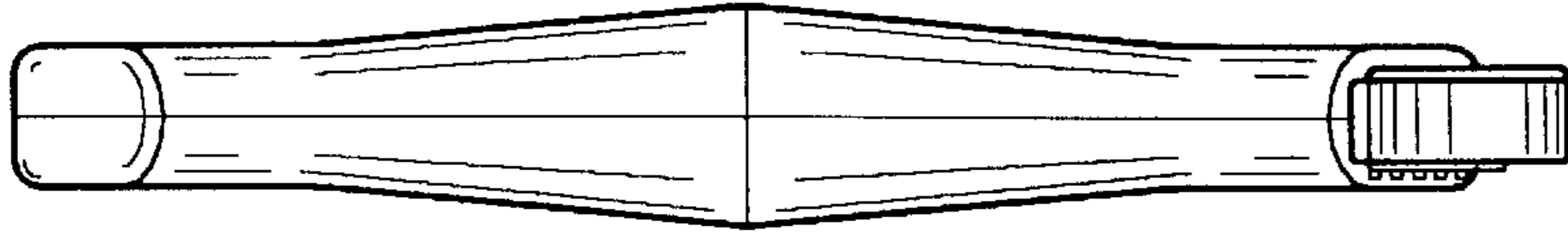


FIG. 2.

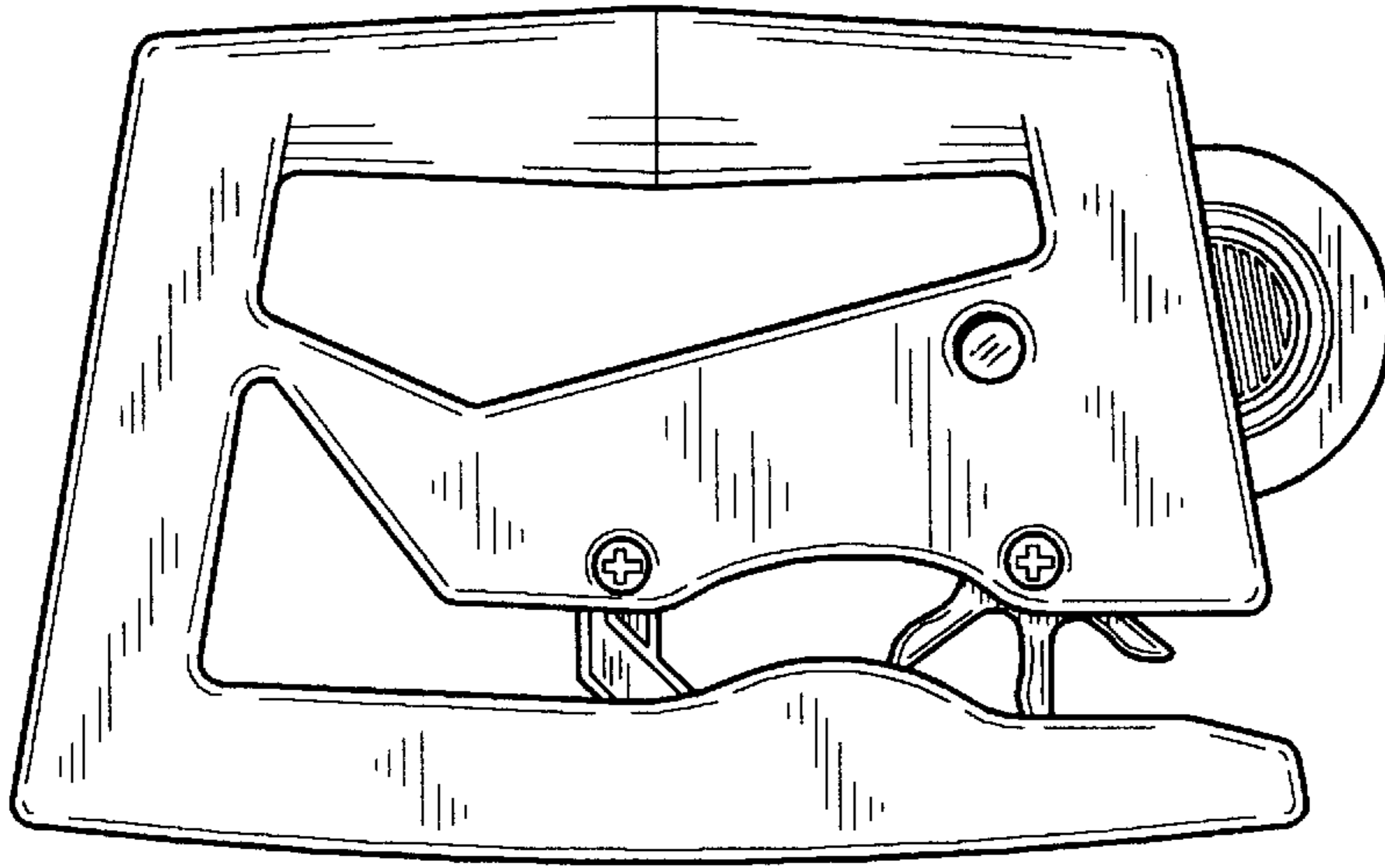


FIG. 3.

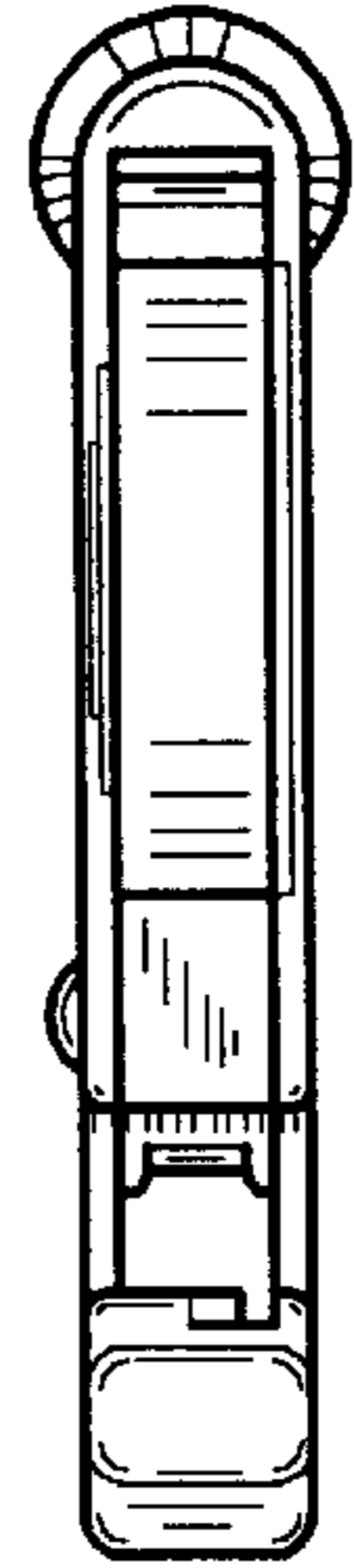


FIG. 6.

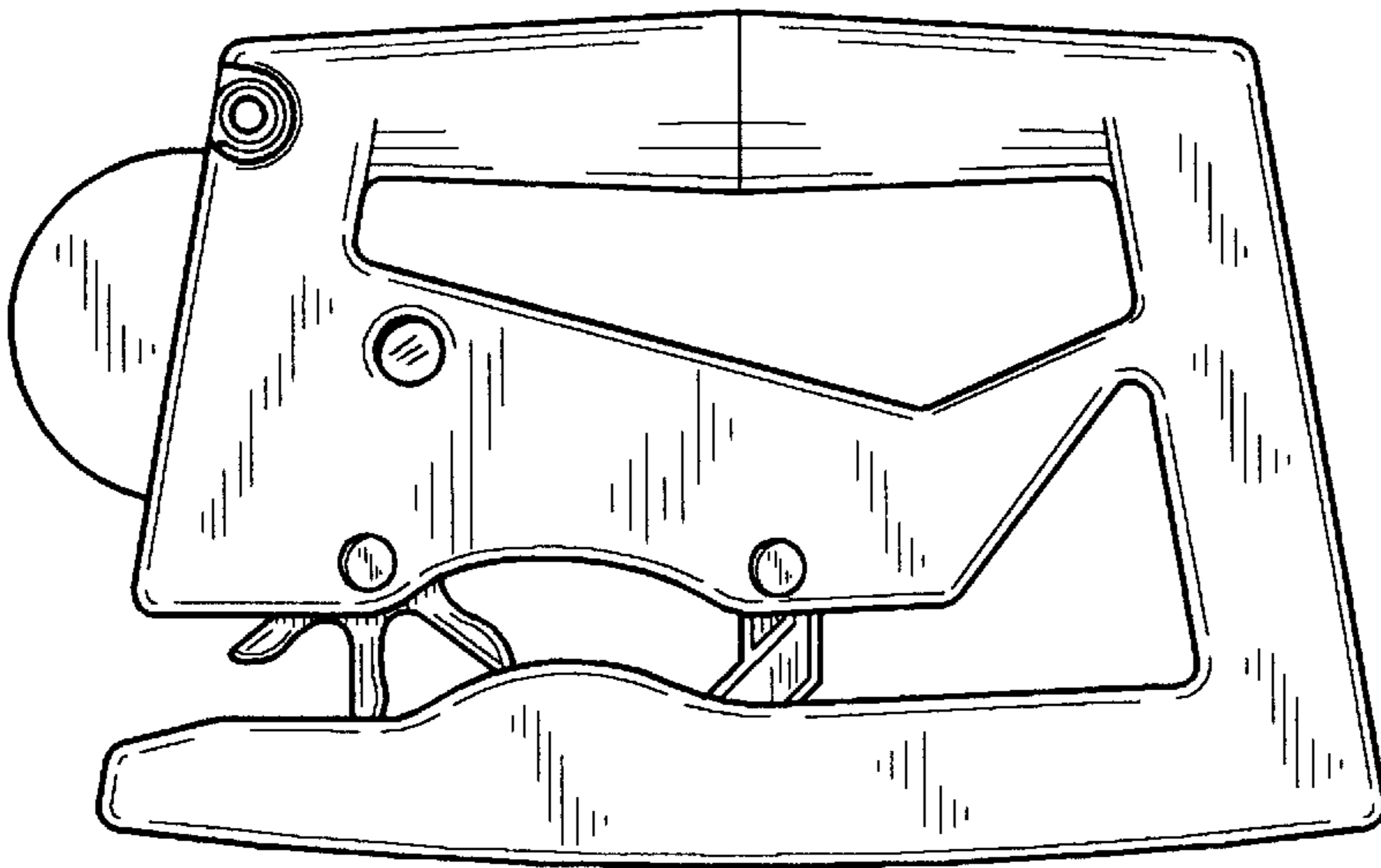


FIG. 4.

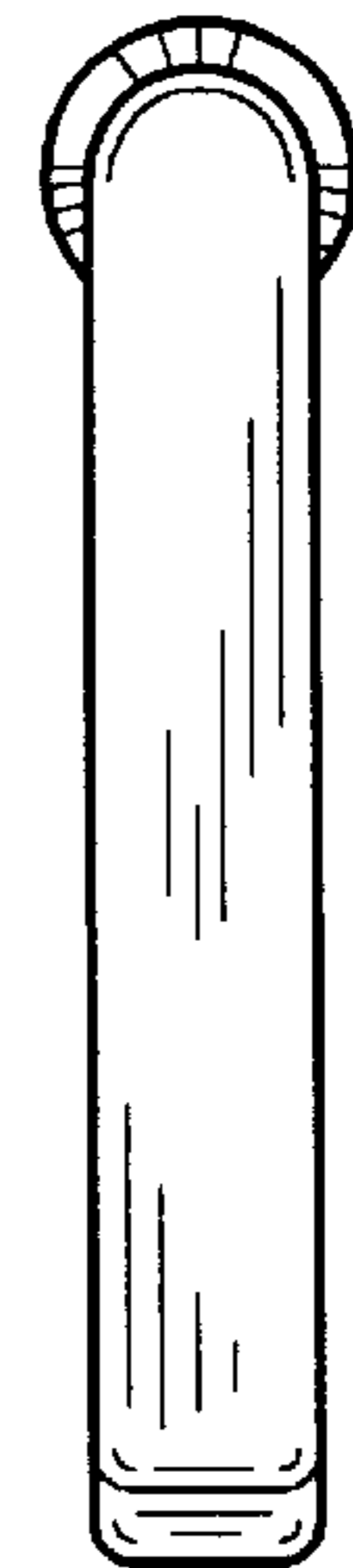


FIG. 7.



FIG. 5.