



US00D401967S

United States Patent [19] Tam

[11] **Patent Number: Des. 401,967**

[45] **Date of Patent: **Dec. 1, 1998**

[54] **COMBINED PEN AND ADVERTISEMENT**

[75] Inventor: **Sai Ying Tam**, Hong Kong, Hong Kong

[73] Assignee: **Samson Innovation Corporation Ltd.**,
Kowloon, Hong Kong

[**] Term: **14 Years**

[21] Appl. No.: **81,700**

[22] Filed: **Dec. 11, 1997**

[51] **LOC (6) Cl.** **19-06**

[52] **U.S. Cl.** **D19/36; D19/51; D19/55;**
D19/56

[58] **Field of Search** D19/35, 36, 41-51,
D19/53-58, 81-85; D11/166; 40/334, 218;
401/6, 7, 52, 195, 209, 99, 100

[56] **References Cited**

U.S. PATENT DOCUMENTS

D. 111,492	9/1938	Hassenfeld	D19/36
D. 206,636	1/1967	Zierhut et al.	D19/51
D. 220,411	4/1971	Perlmutter	D19/42
D. 297,649	9/1988	Schiffner	D19/36
D. 337,195	7/1993	Takahashi	D19/51
D. 338,036	8/1993	Sullivan	D19/51 X
D. 338,039	8/1993	Takahashi	D19/51

D. 349,924	8/1994	Fisch	D19/42
1,262,972	4/1918	Olson	.	
1,561,725	11/1925	Kerley	.	
2,224,470	12/1940	Boust	401/195 X
2,601,650	6/1952	Walter et al.	401/52 X
4,787,161	11/1988	Feng	40/334
4,984,379	1/1991	Lee	40/334

Primary Examiner—Martie K. Holtje
Attorney, Agent, or Firm—Beveridge, DeGrandi, Weilacher & Young LLP

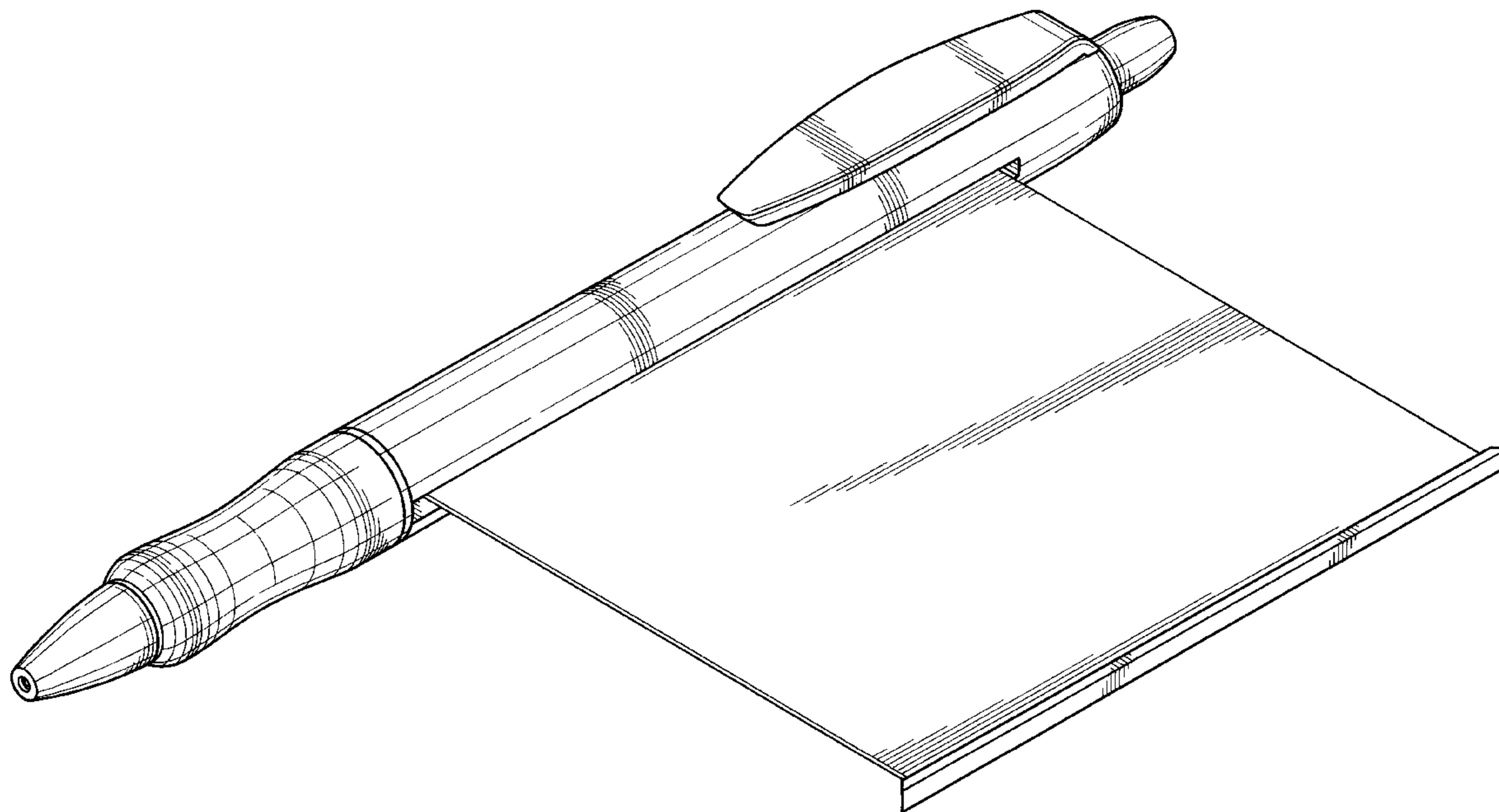
[57] **CLAIM**

The ornamental design for a combined pen and advertisement, as shown and described.

DESCRIPTION

FIG. 1 is a perspective view of a combined pen and advertisement showing my new design;
FIG. 2 is a perspective view with pulled-out leaf for printing;
FIG. 3 is a front view thereof;
FIG. 4 is a right side view thereof;
FIG. 5 is a rear view thereof;
FIG. 6 is a left side view thereof;
FIG. 7 is a top view thereof; and,
FIG. 8 is a bottom view thereof.

1 Claim, 3 Drawing Sheets



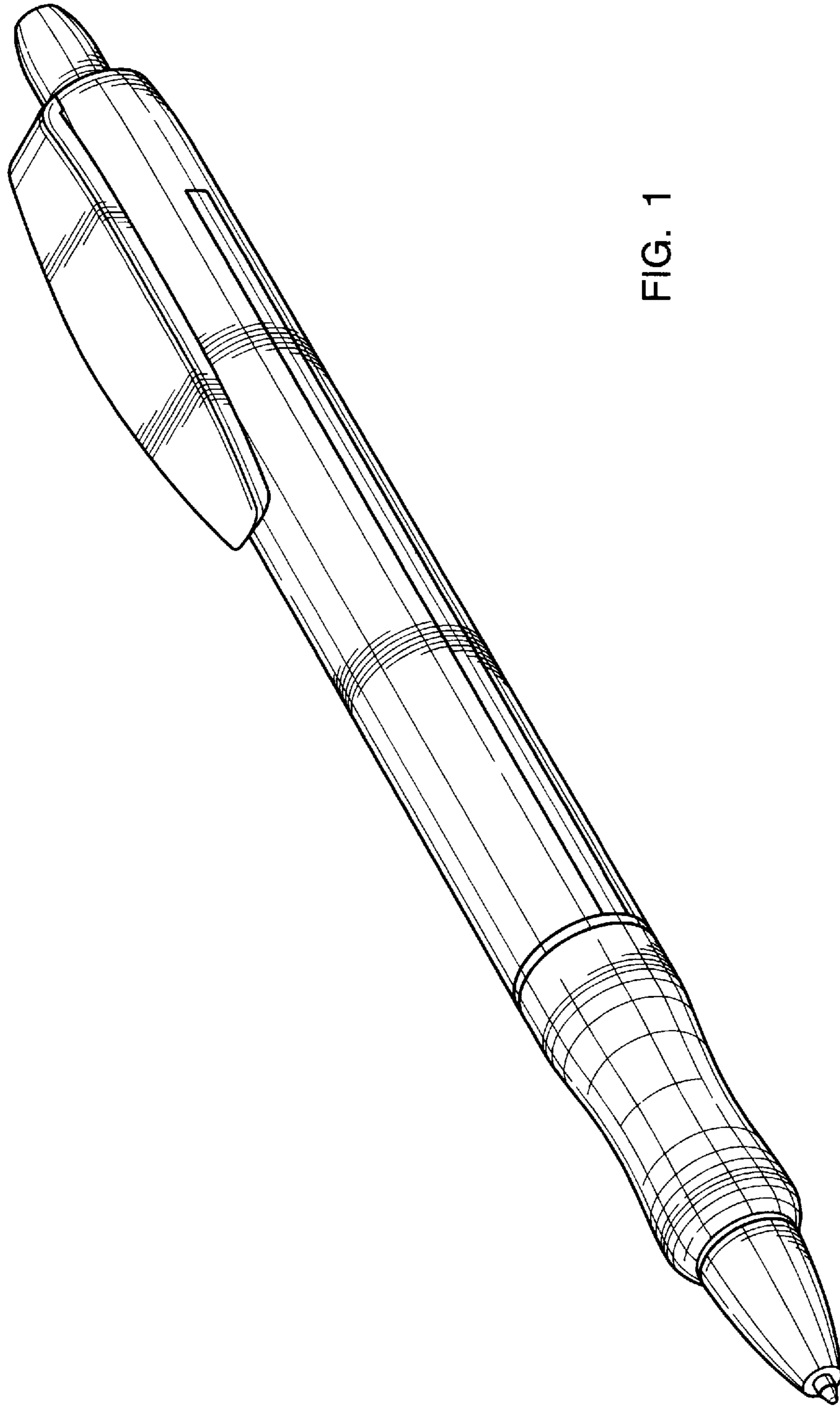


FIG. 1

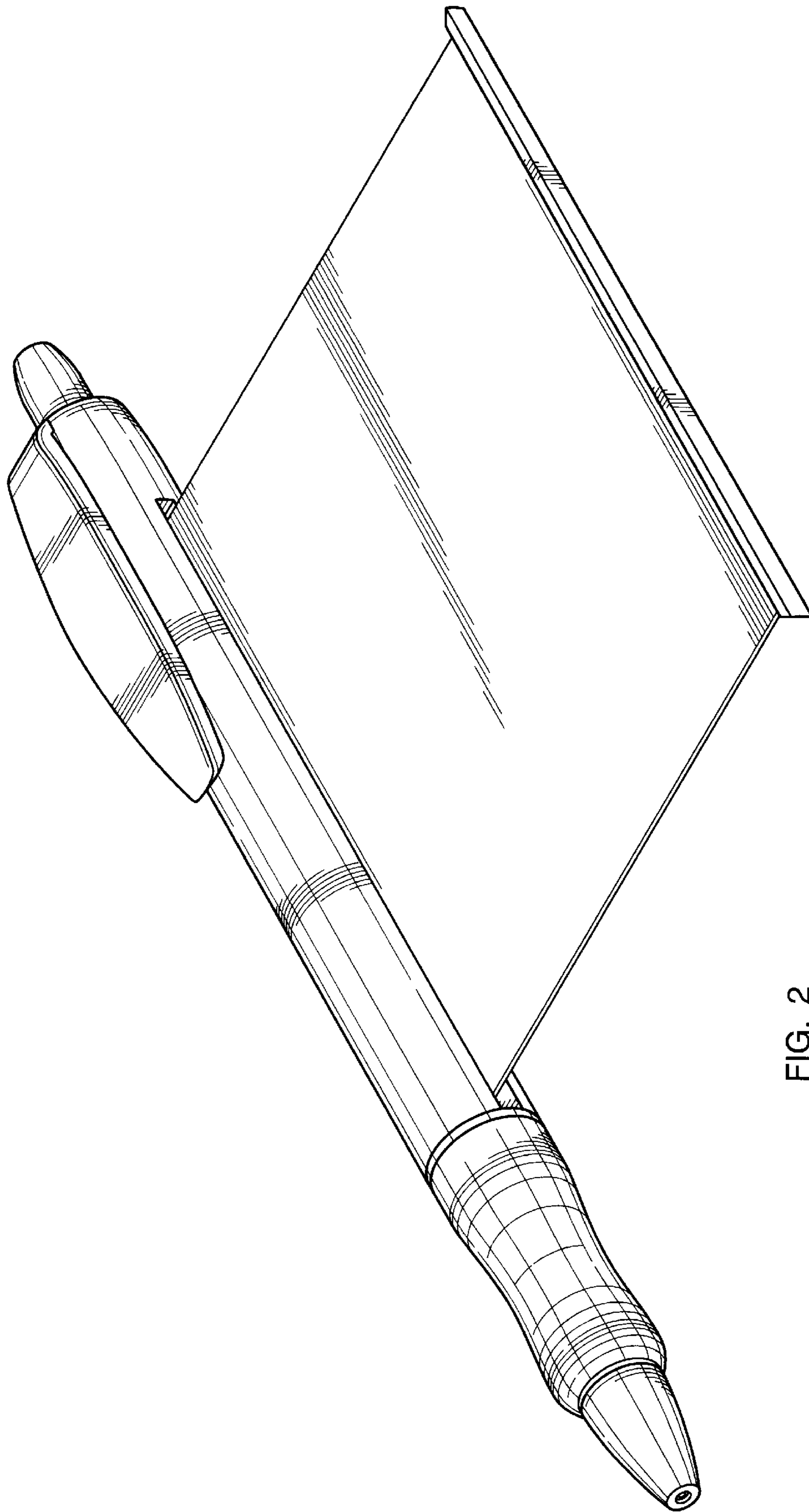


FIG. 2

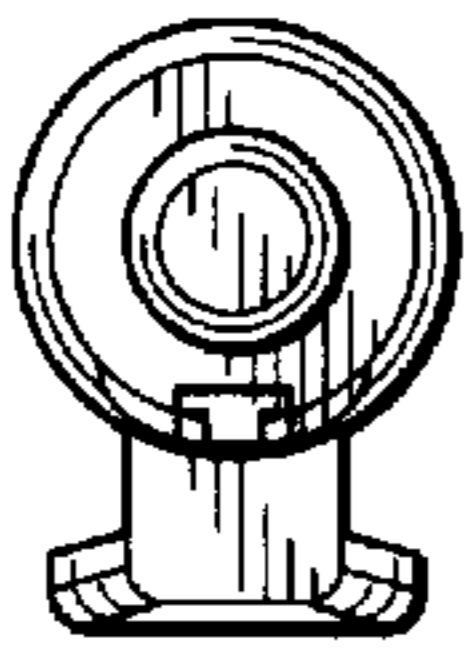


FIG. 7

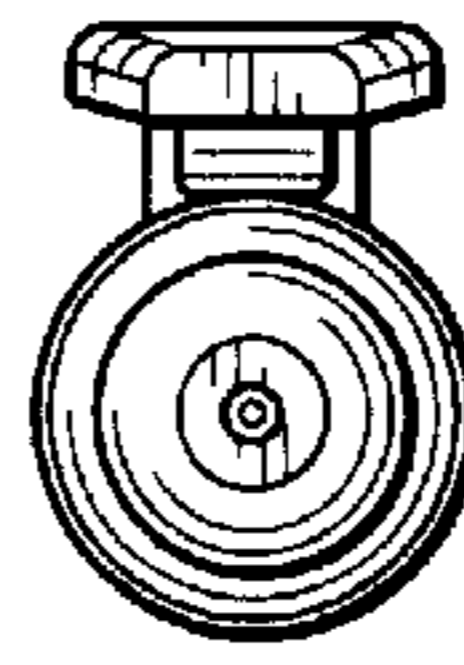


FIG. 8

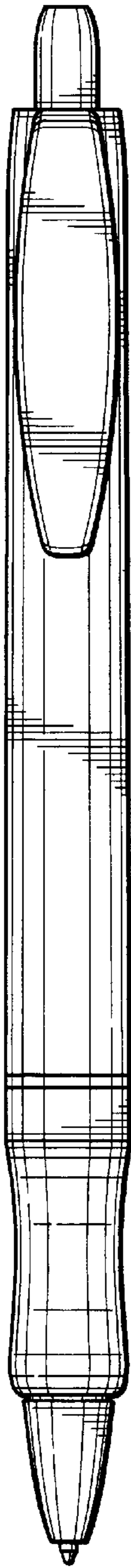


FIG. 3

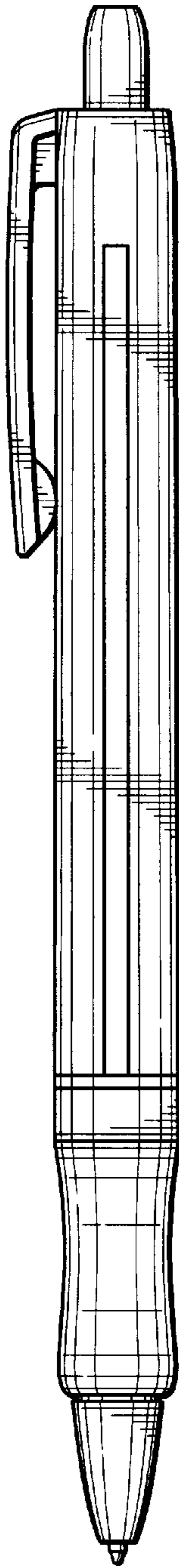


FIG. 4

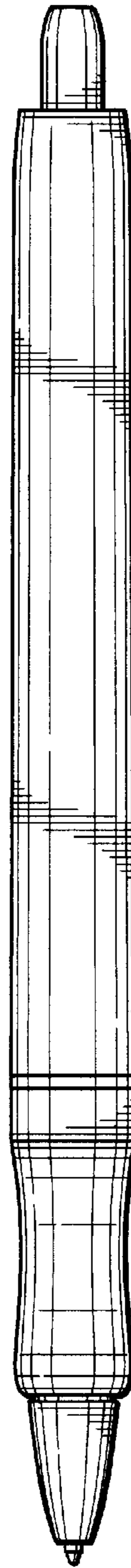


FIG. 5

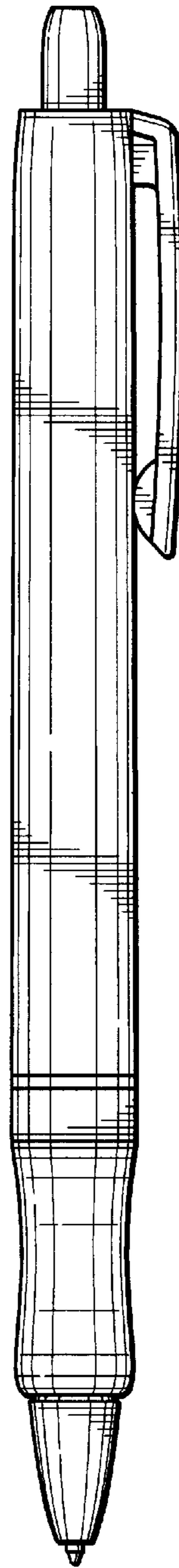


FIG. 6