



US00D401966S

United States Patent [19]

Cheris et al.

[11] Patent Number: **Des. 401,966**

[45] Date of Patent: *****Dec. 1, 1998**

[54] **CALENDAR HOLDER**

[75] Inventors: **Albert B. Cheris**, Highland Park;
Mark Dzierisk, Chicago, both of Ill.

[73] Assignee: **Tenex Corporation**, Elk Grove Village,
Ill.

[*] Notice: The term of this patent shall not extend
beyond the expiration date of Pat. No. D.
390,876.

[**] Term: **14 Years**

[21] Appl. No.: **75,958**

[22] Filed: **Aug. 29, 1997**

[51] **LOC (6) Cl.** **19-03**

[52] **U.S. Cl.** **D19/20; D19/86; D19/92**

[58] **Field of Search** D19/20, 21-25,
D19/65, 75, 78, 86, 92, 98, 99, 100; 40/107,
119, 120, 121, 122; 211/10, 11, 13, 50,
55, 126

[56] **References Cited**

U.S. PATENT DOCUMENTS

- D. 241,834 10/1976 Evenson D19/20
- D. 251,251 3/1979 Tiedemann D19/20

- D. 274,066 5/1984 Evenson D19/92
- D. 274,067 5/1984 Evenson D19/92
- D. 323,188 1/1992 Evenson et al. D19/86 X
- D. 327,295 6/1992 Szablak et al. D19/92
- D. 327,497 6/1992 Szablak et al. D19/20
- 4,768,298 9/1988 Polhemus et al. 40/358
- 5,641,074 6/1997 Smed 211/11

Primary Examiner—Martie K. Holtje
Attorney, Agent, or Firm—Lockwood, Alex, FitzGibbon &
Cummings

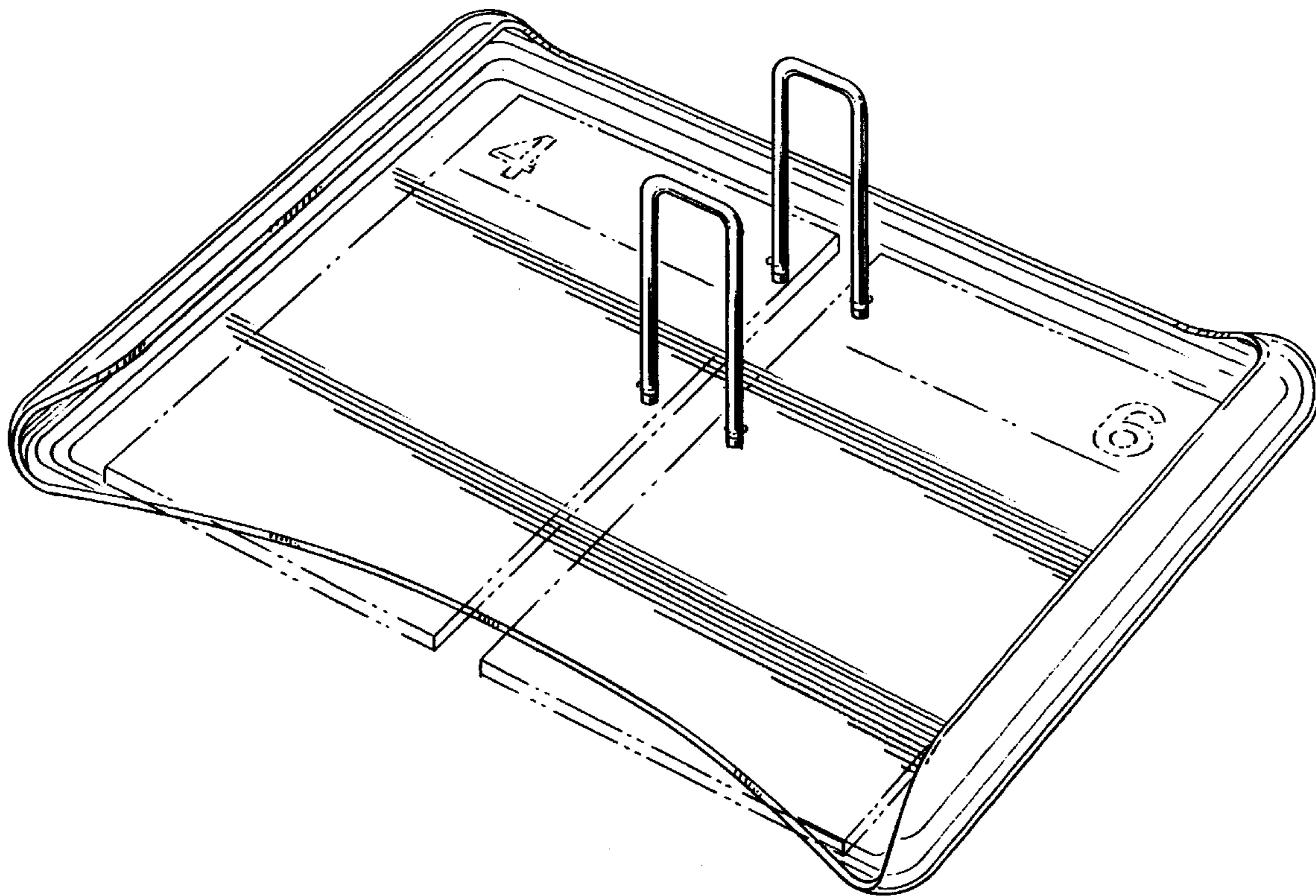
[57] **CLAIM**

The ornamental design for a calendar holder, as shown and
described.

DESCRIPTION

FIG. 1 is a perspective view of a calendar holder showing
our new design, the calendar pages depicted by means of
broken lines being for illustrative purposes only and forming
no part of the claimed design;
FIG. 2 is a front elevational view thereof;
FIG. 3 is a top plan view thereof;
FIG. 4 is an elevational view of one side thereof the other
side being a mirror image thereof;
FIG. 5 is a rear elevational view thereof; and,
FIG. 6 is a bottom plan view thereof.

1 Claim, 3 Drawing Sheets



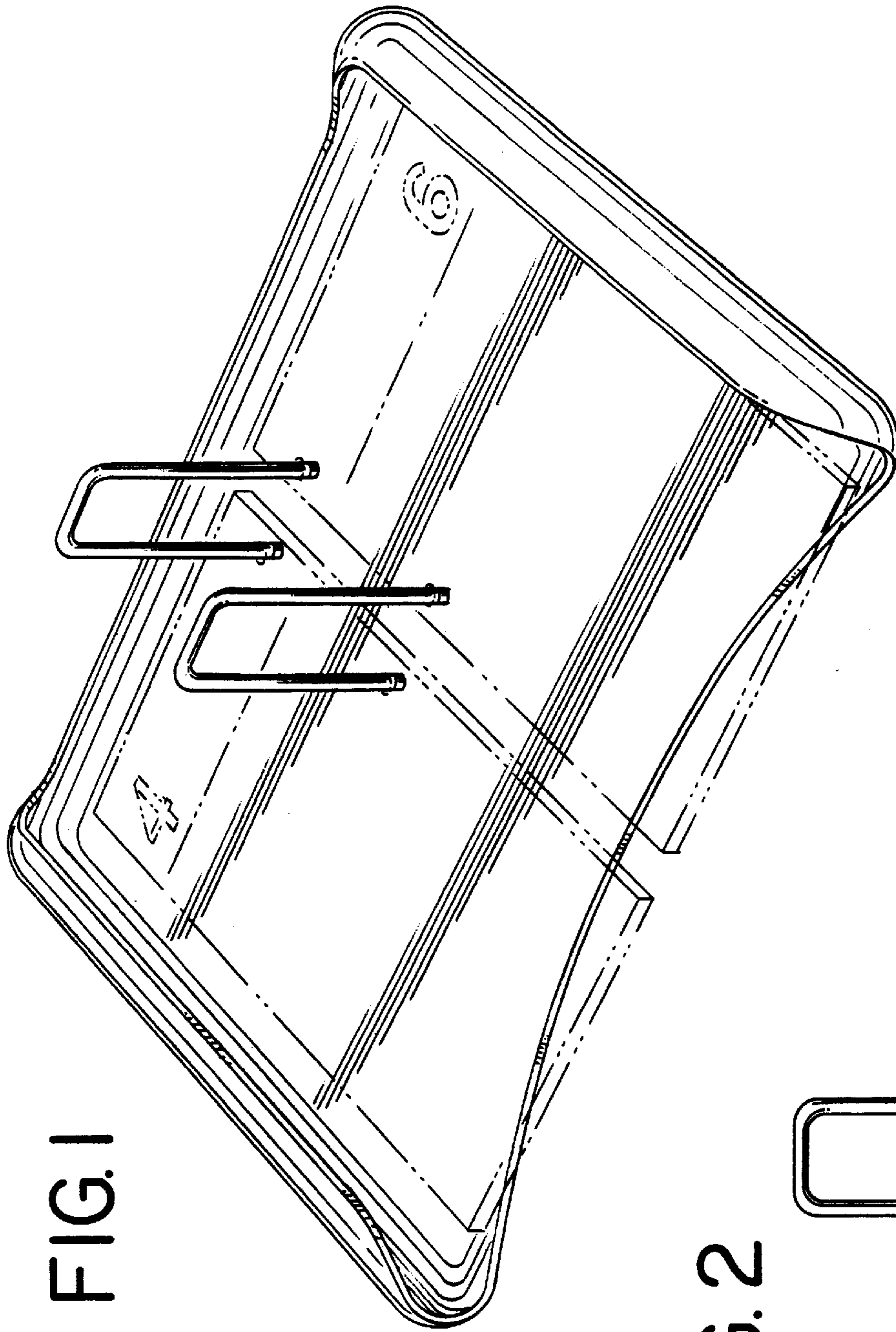


FIG. 1

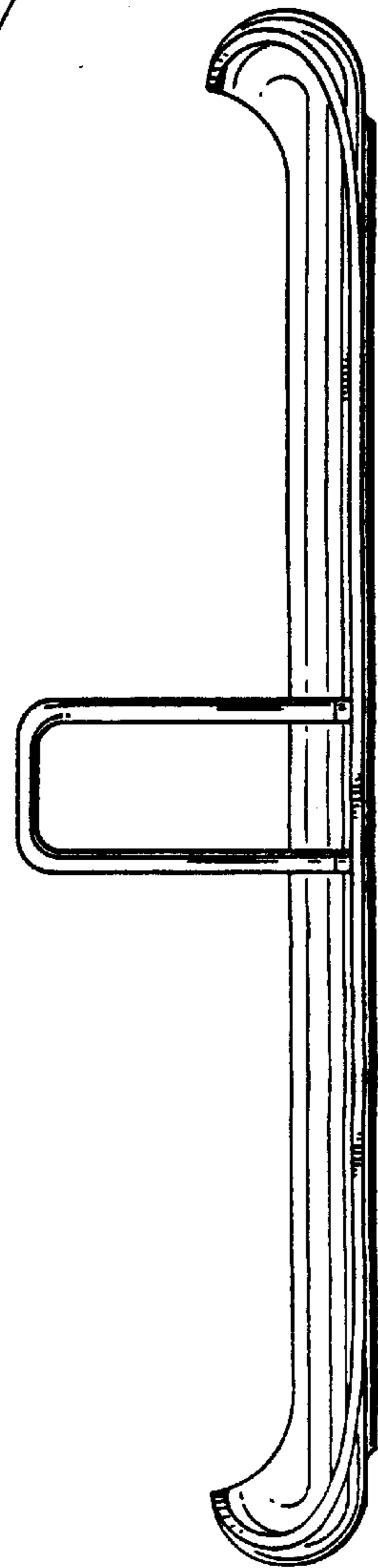


FIG. 2

FIG. 3

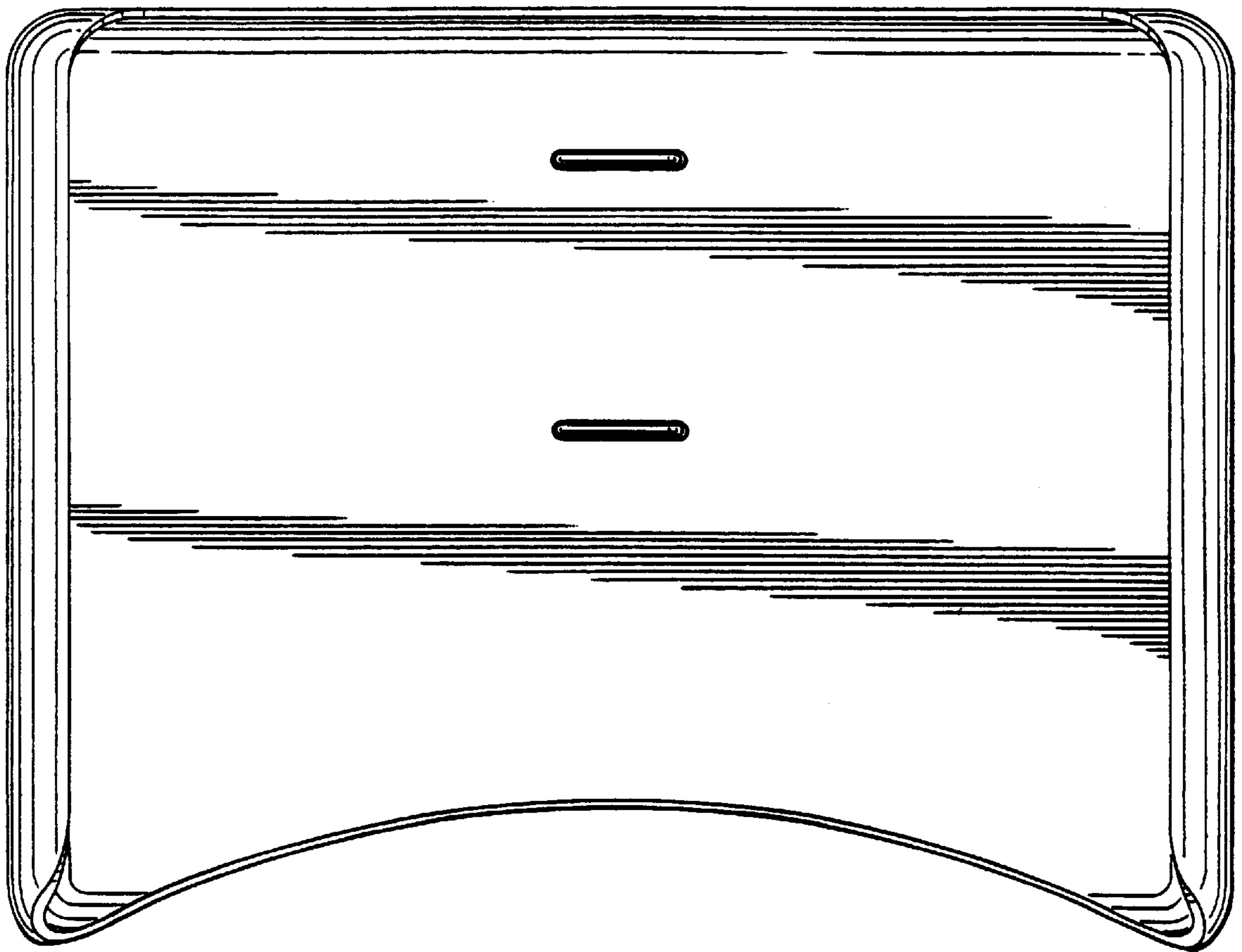


FIG. 4

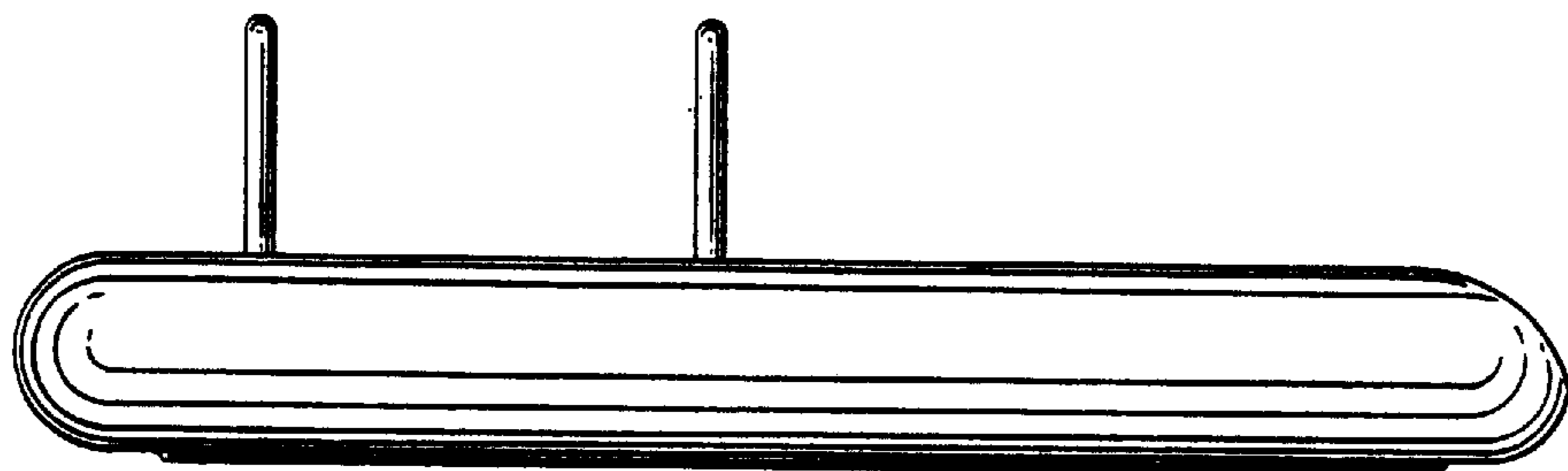


FIG. 5

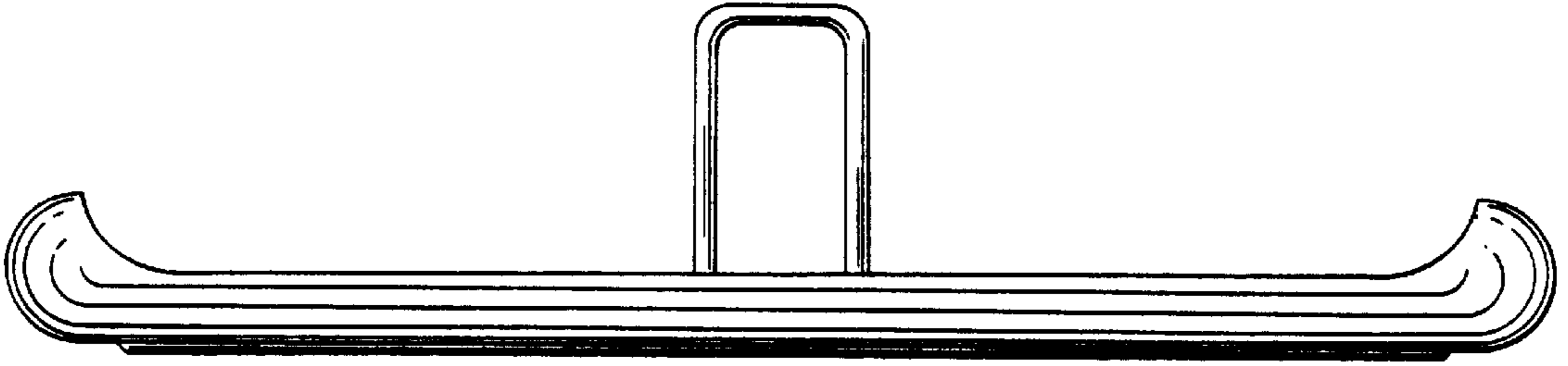


FIG. 6

