



US00D401962S

United States Patent [19]
Detrich

[11] **Patent Number: Des. 401,962**

[45] **Date of Patent: **Dec. 1, 1998**

[54] **PIANO**

[76] Inventor: **Kalman Detrich**, 211 W. 58th St., New York, N.Y. 10019

[**] Term: **14 Years**

[21] Appl. No.: **85,689**

[22] Filed: **Mar. 27, 1998**

[51] **LOC (6) Cl.** **17-01**

[52] **U.S. Cl.** **D17/7**

[58] **Field of Search** D17/1, 2, 5, 6-8;
D21/64; 84/174-177, 179, 180, DIG. 17

[56] **References Cited**

U.S. PATENT DOCUMENTS

D. 146,243	1/1947	Zaiser	D17/7
D. 152,089	12/1948	Kapphan	D17/8
D. 341,371	11/1993	Wong	D17/7
D. 346,394	4/1994	Cattaneo	D17/7
3,969,970	7/1976	Swift et al.	84/177

Primary Examiner—Philip S. Hyder
Assistant Examiner—Adir Aronovich
Attorney, Agent, or Firm—Charles E. Bruzga

[57] **CLAIM**

The ornamental design for a piano, as shown.

DESCRIPTION

FIG. 1 is a front perspective view of a piano showing my new design;

FIG. 2 is a front elevational view of the piano;

FIG. 3 is a rear elevational view of the piano;

FIG. 4 is a right side elevational view of the piano;

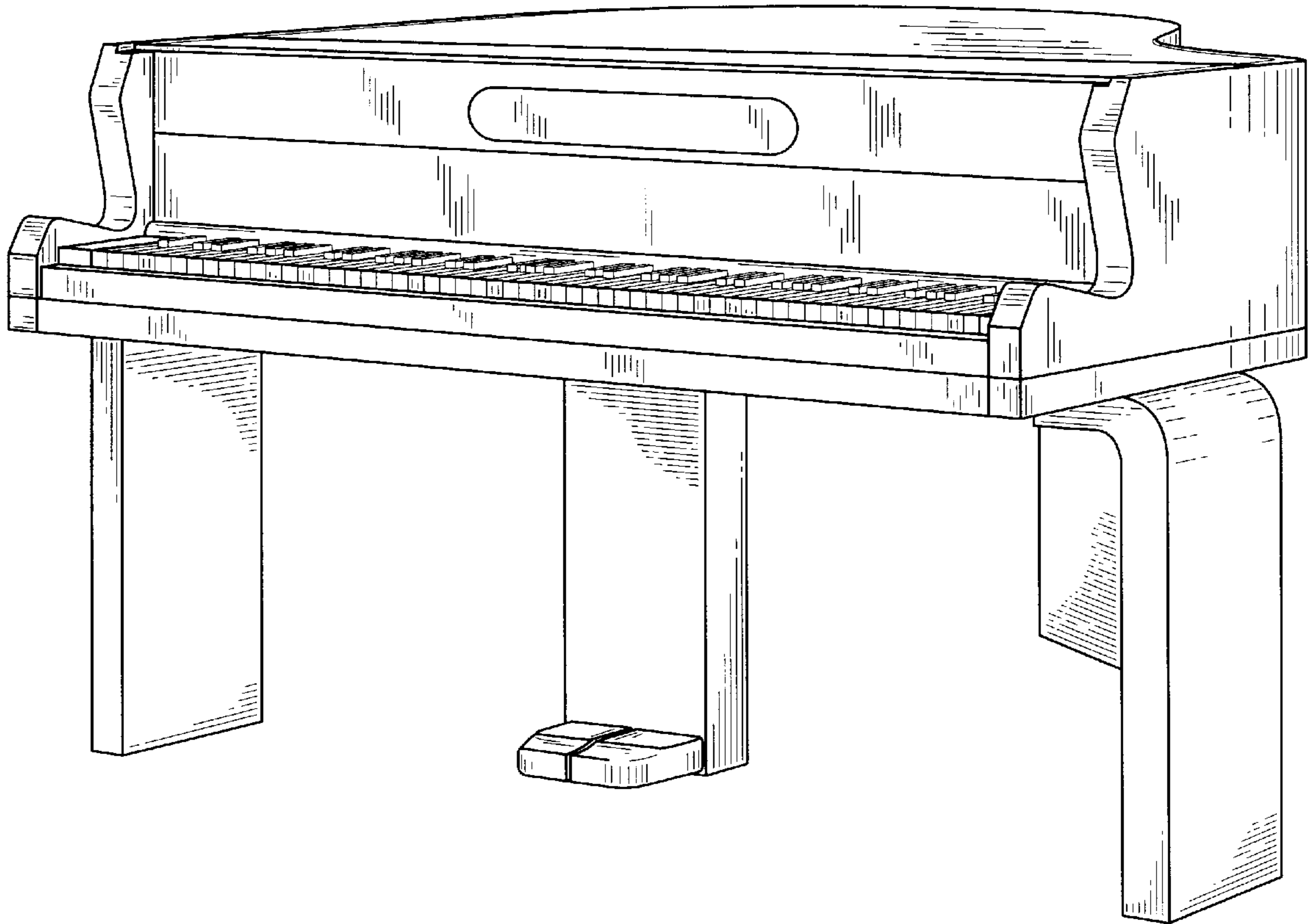
FIG. 5 is a left side elevational view of the piano;

FIG. 6 is a top plan view of the piano;

FIG. 7 is a front perspective view of the piano with its lid open; and,

FIG. 8 is a front elevational view of the piano with its lid open.

1 Claim, 8 Drawing Sheets



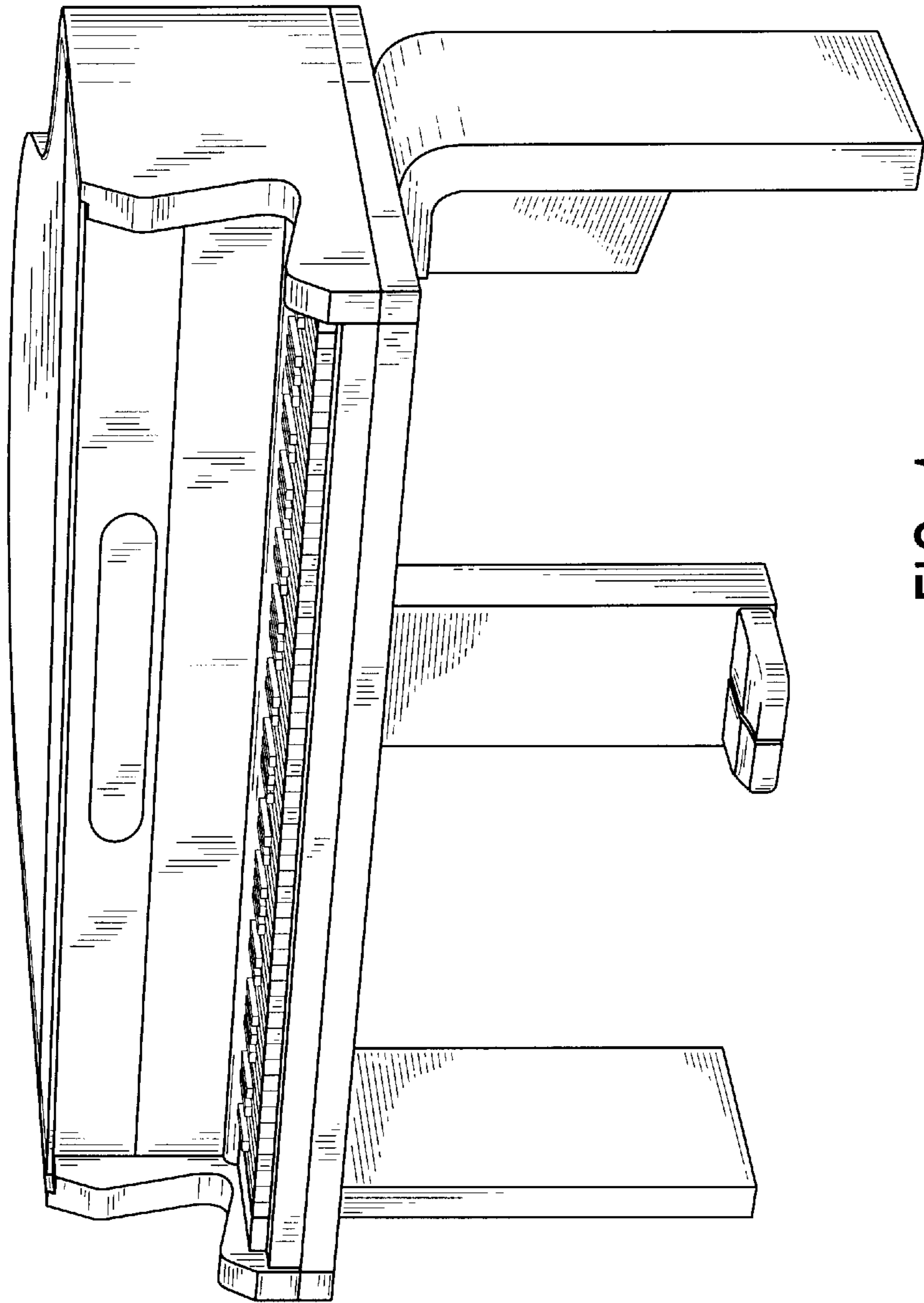


FIG. 1

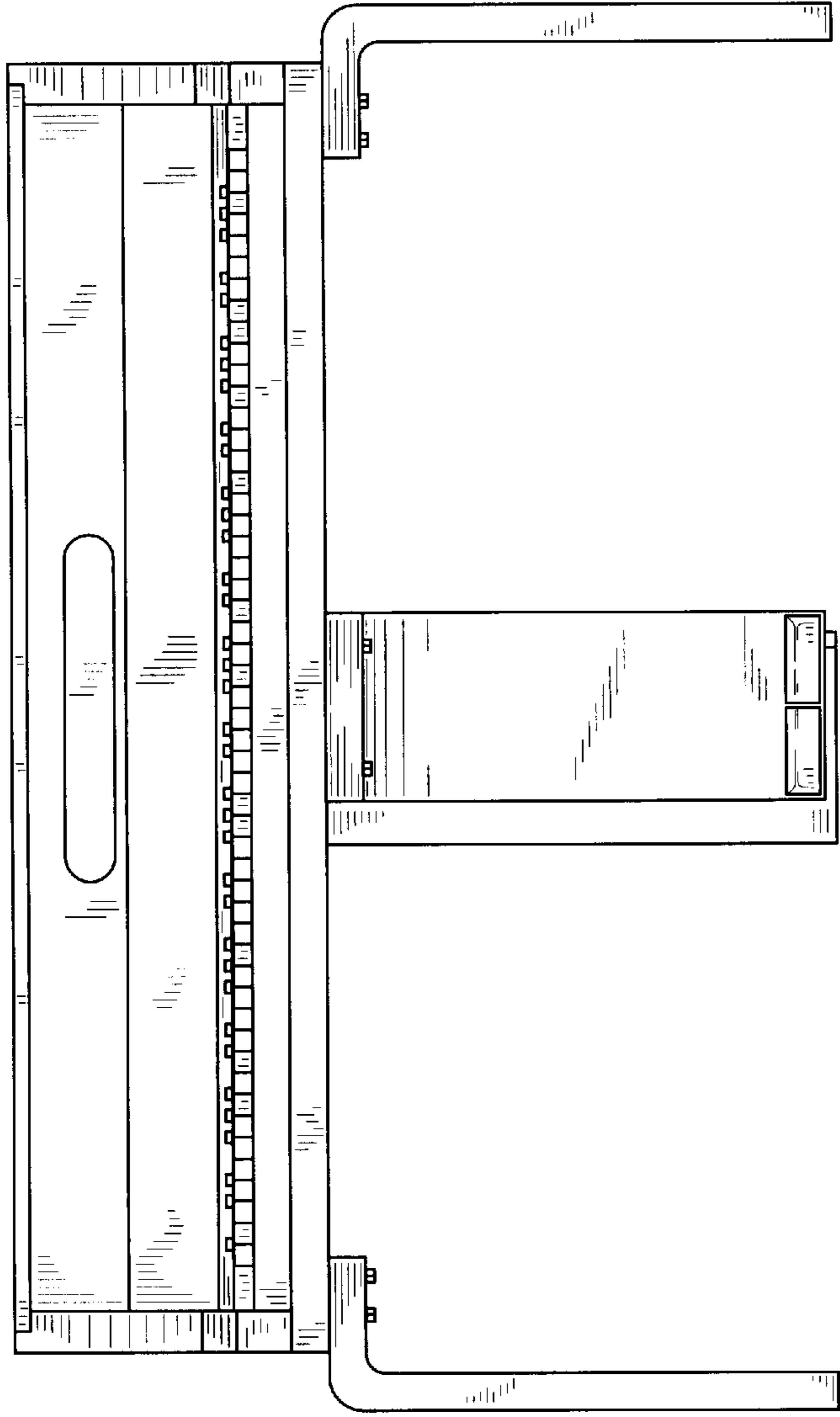


FIG. 2

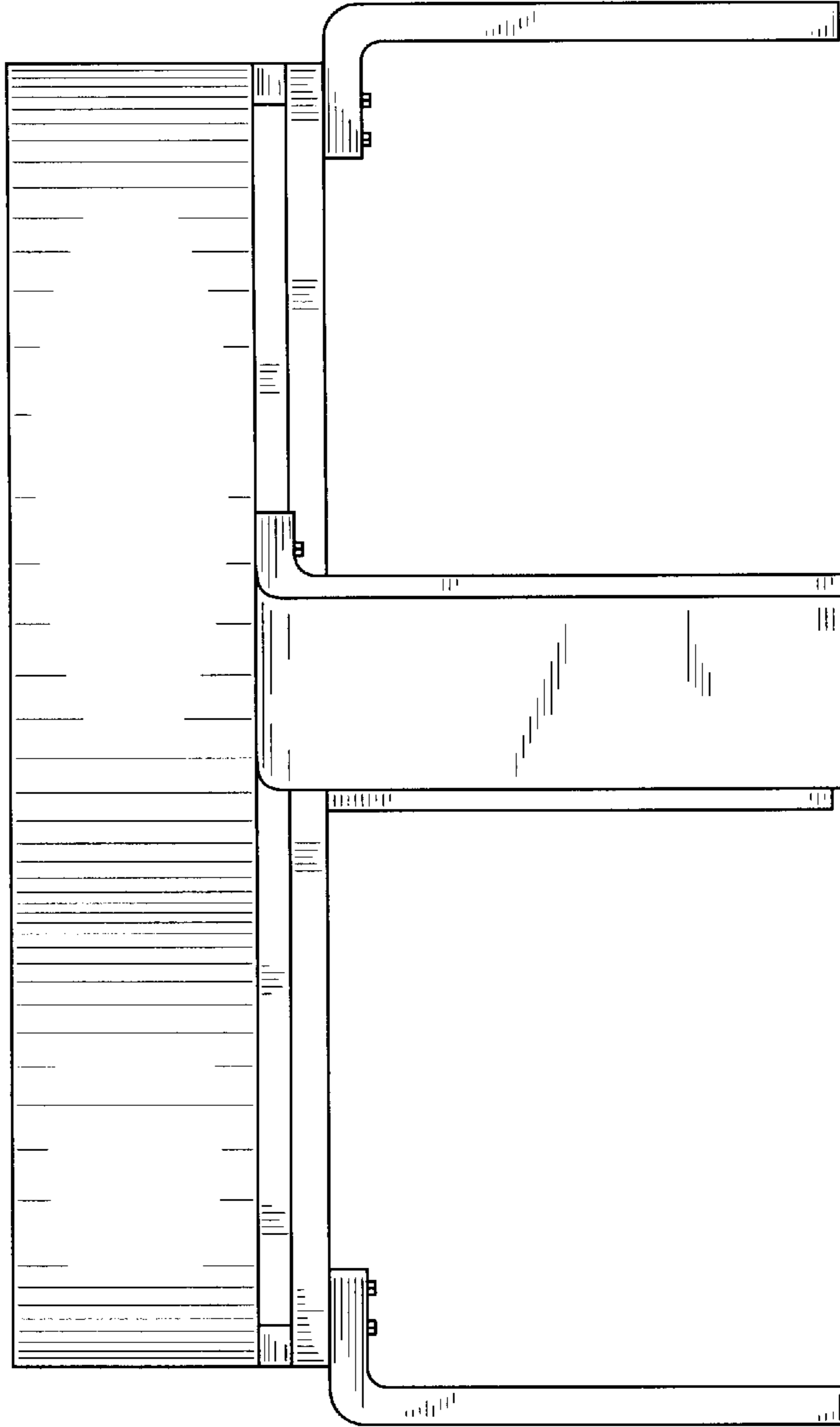


FIG. 3

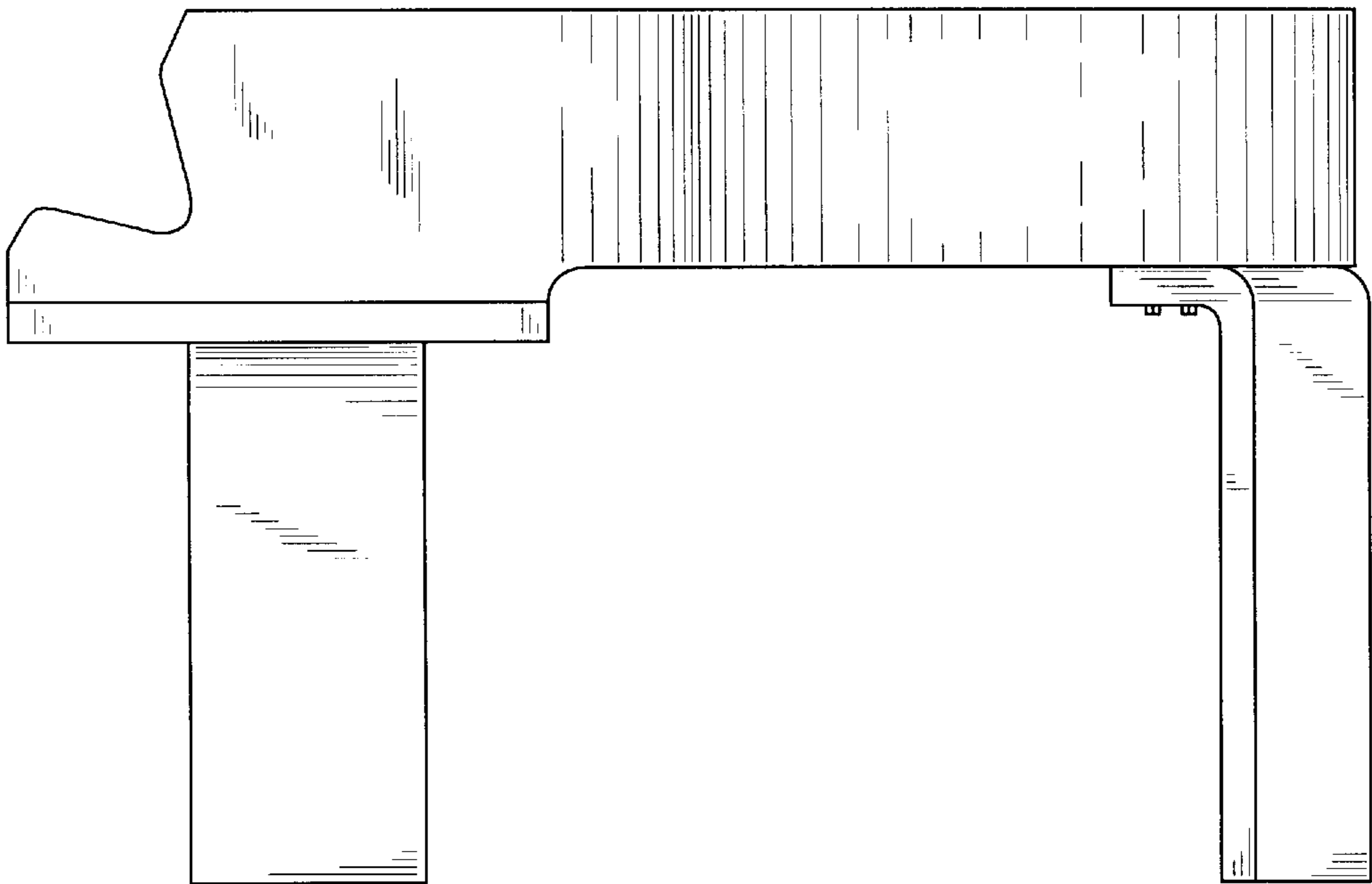


FIG. 4

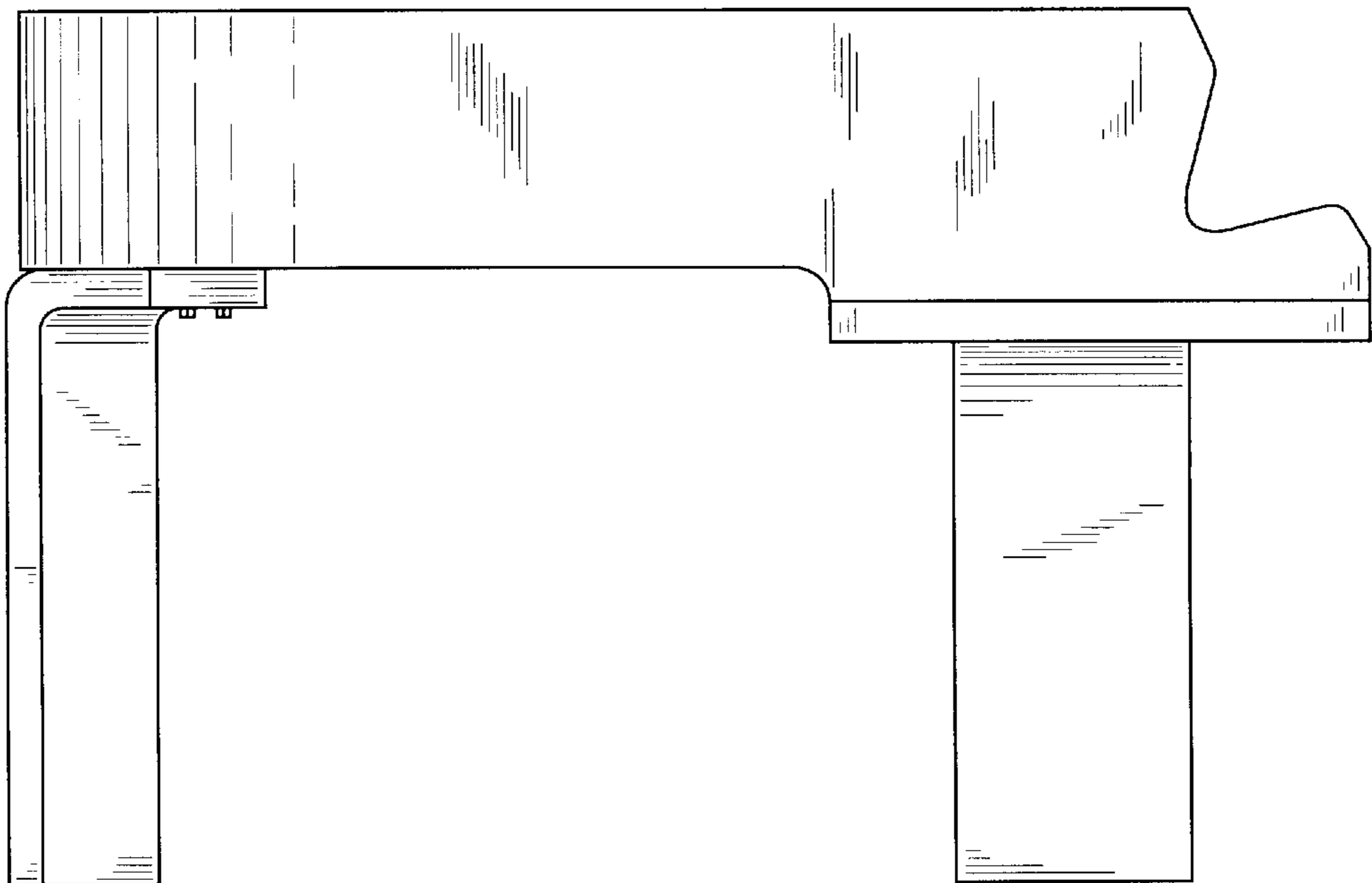


FIG. 5

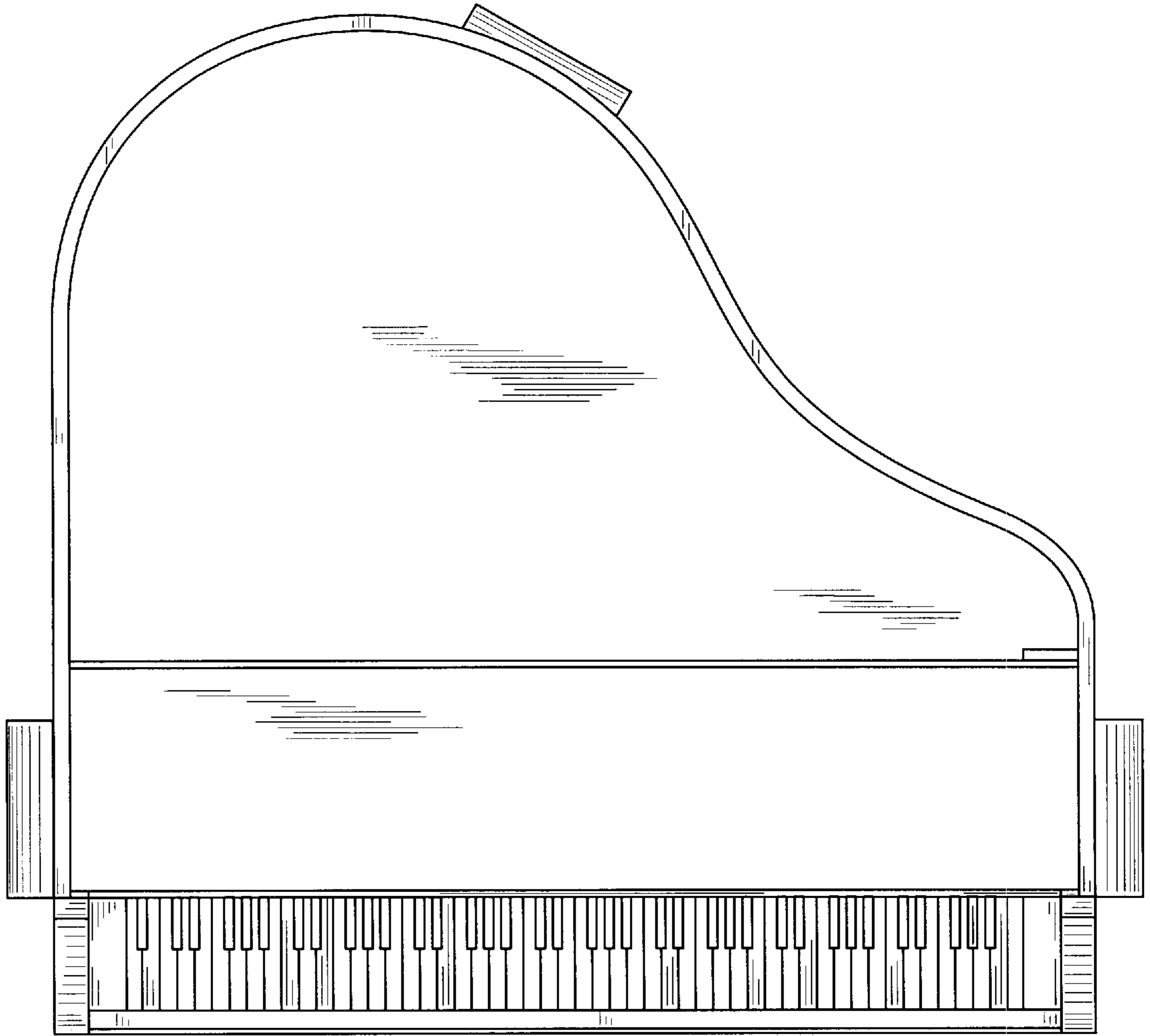


FIG. 6

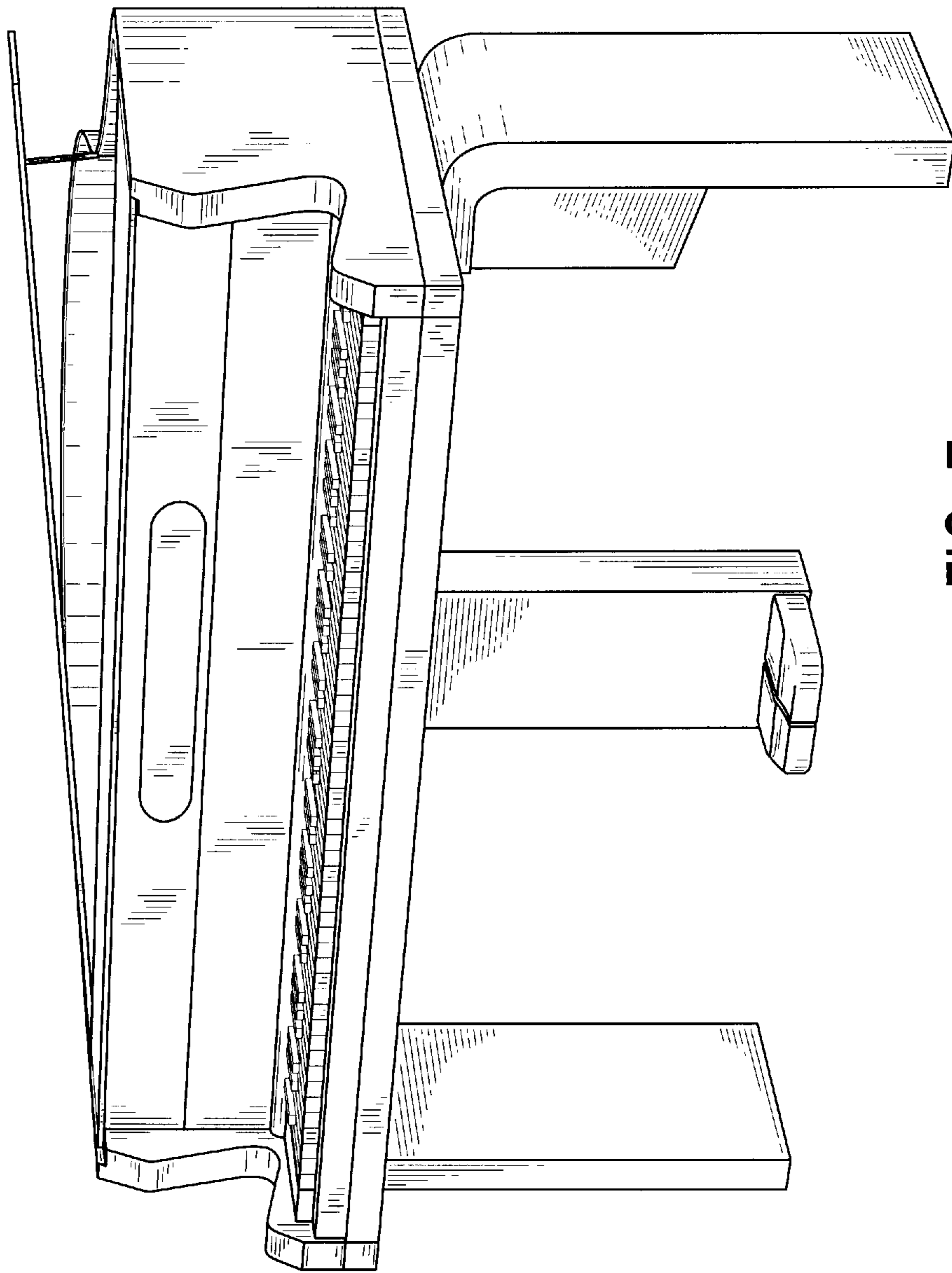


FIG. 7

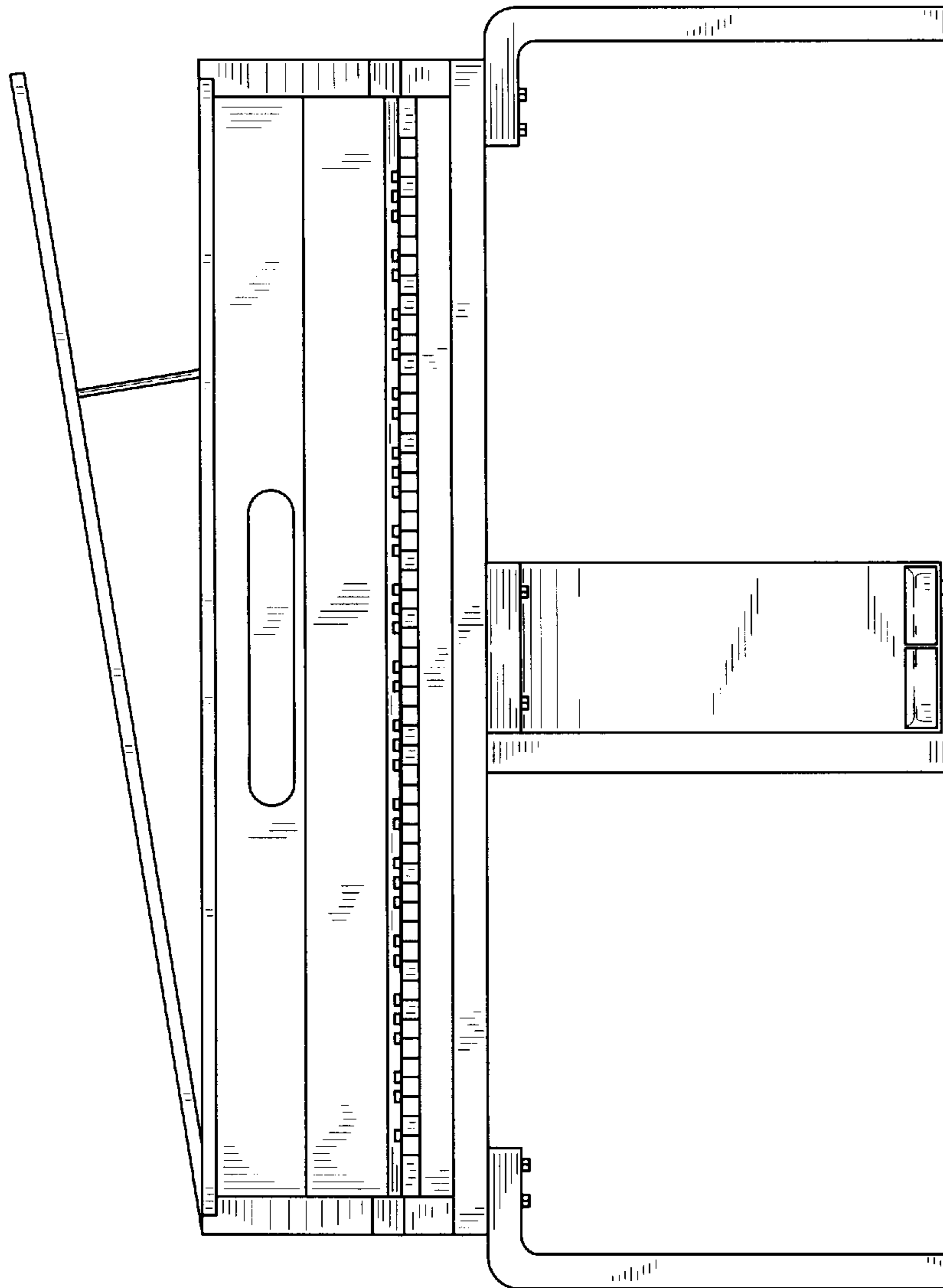


FIG. 8