



US00D401960S

**United States Patent** [19]  
**Pearl**

[11] **Patent Number: Des. 401,960**

[45] **Date of Patent: \*\*Dec. 1, 1998**

[54] **FLIP-LENS DEVICE WITH LOW PRESCRIPTION MAGNIFIER**

[76] Inventor: **Greg Pearl**, 226 Second St., #8, Hermosa Beach, Calif. 90254

[\*\*] Term: **14 Years**

[21] Appl. No.: **79,427**

[22] Filed: **Nov. 17, 1997**

[51] **LOC (6) Cl.** ..... **16-06**

[52] **U.S. Cl.** ..... **D16/330; D16/900; D16/304**

[58] **Field of Search** ..... D16/300, 101, D16/304, 309, 315-321, 325-330, 900; 351/41, 44, 51, 52, 47-48, 57-59, 158; 2/247, 248

[56] **References Cited**

**U.S. PATENT DOCUMENTS**

D. 183,845 11/1958 Liataud .

D. 193,872 10/1962 Petitto ..... D16/316  
D. 228,806 10/1973 Harrell ..... D16/326  
3,238,005 3/1966 Petitto .  
5,416,537 5/1995 Sadler .

*Primary Examiner*—Raphael Barkai

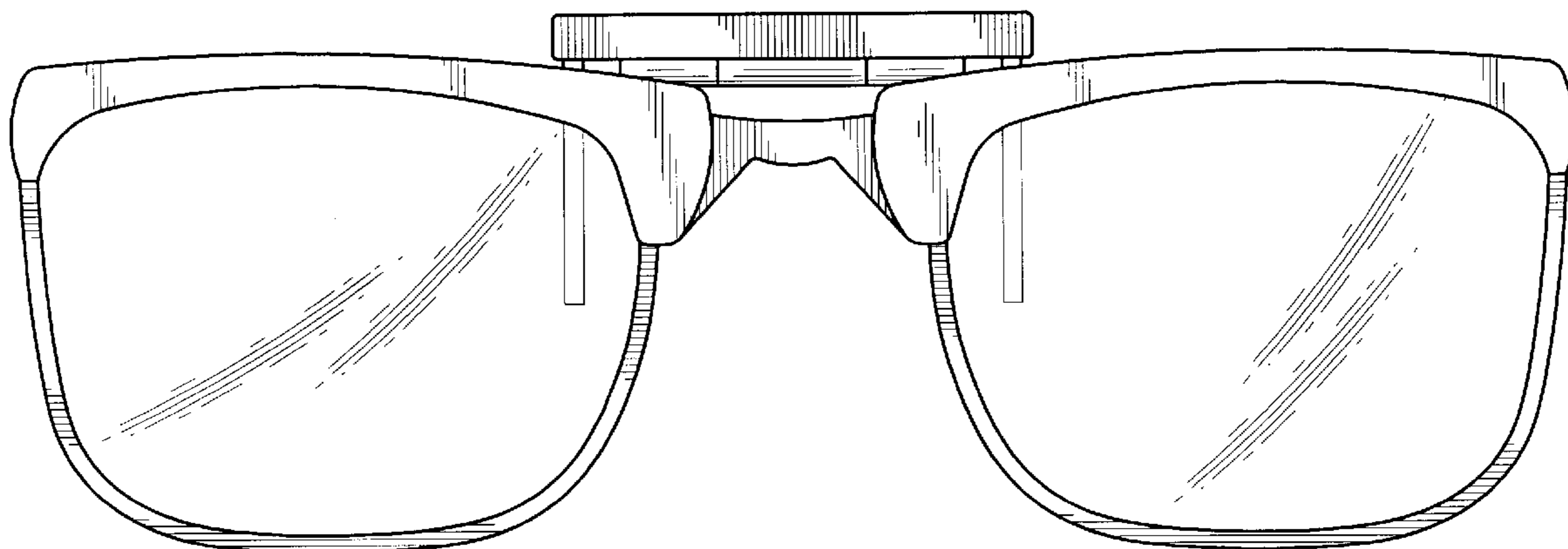
[57] **CLAIM**

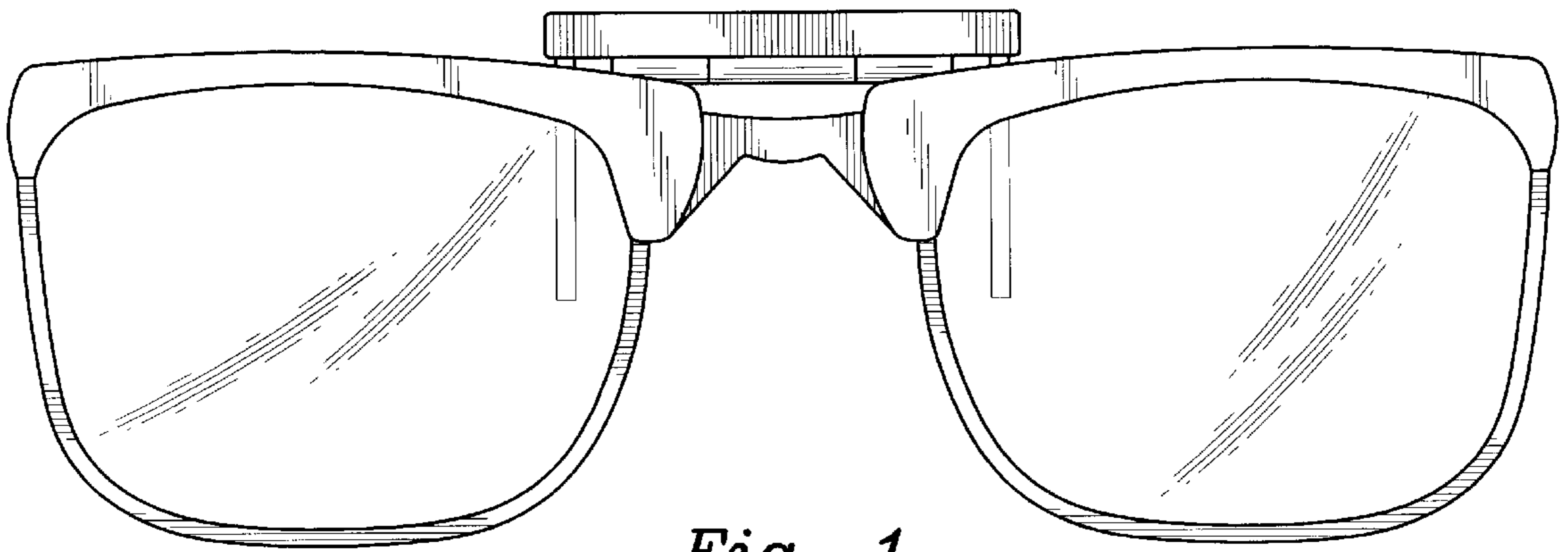
The ornamental design for a flip-lens device with low prescription magnifier, as shown and described.

**DESCRIPTION**

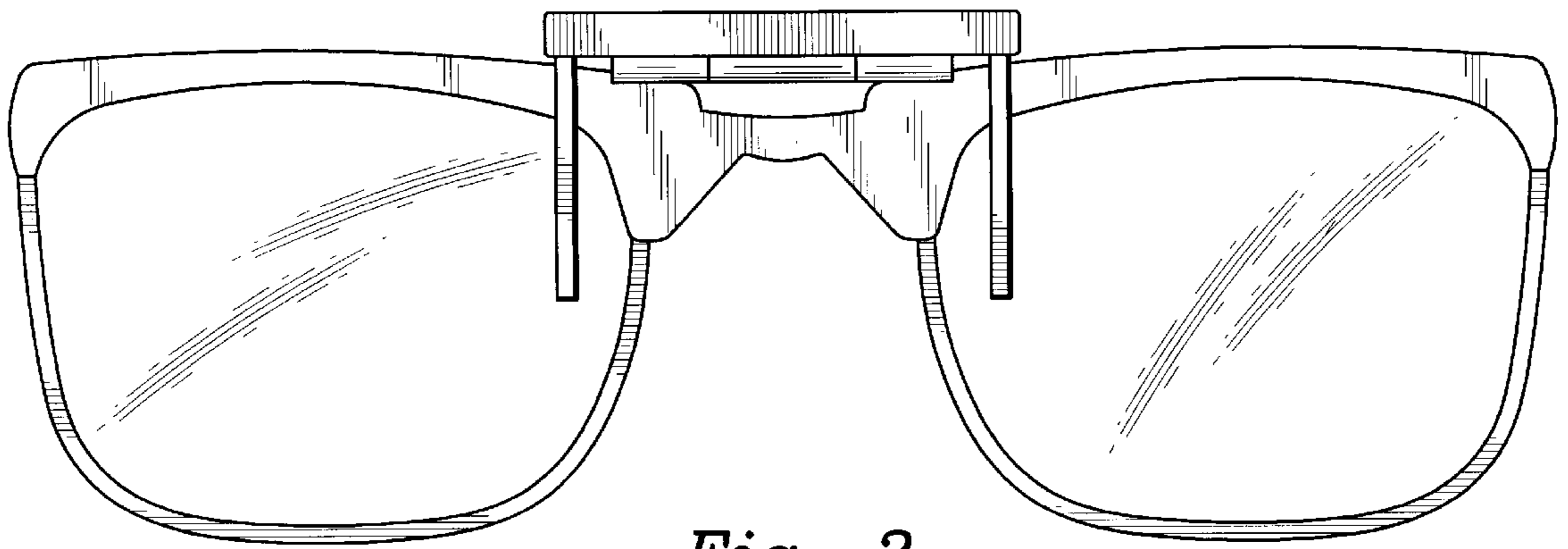
FIG. 1 is a front elevational view of the flip-lens device with low prescription magnifier showing my new design;  
FIG. 2 is a rear elevational view thereof;  
FIG. 3 is a right side view thereof;  
FIG. 4 is a left side view thereof;  
FIG. 5 is a top plan view thereof; and,  
FIG. 6 is a bottom plan view thereof.

**1 Claim, 3 Drawing Sheets**

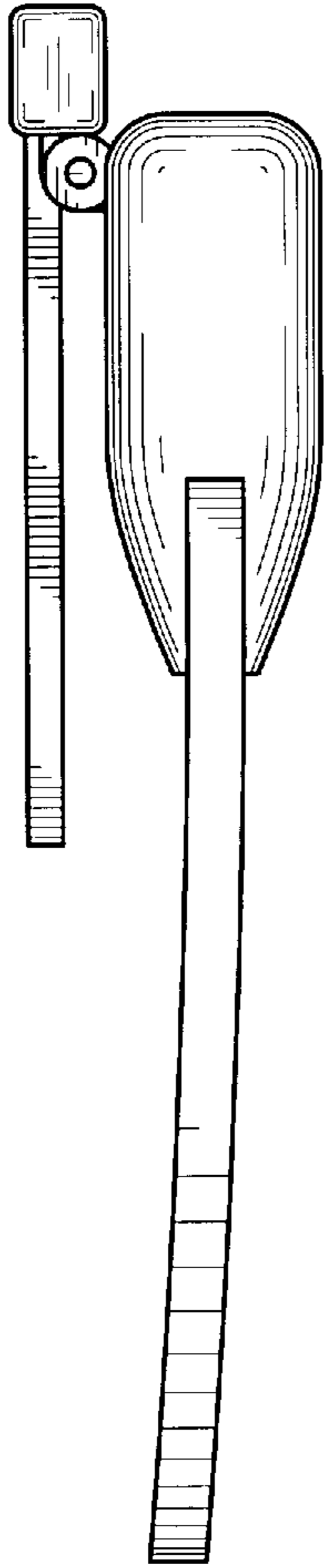




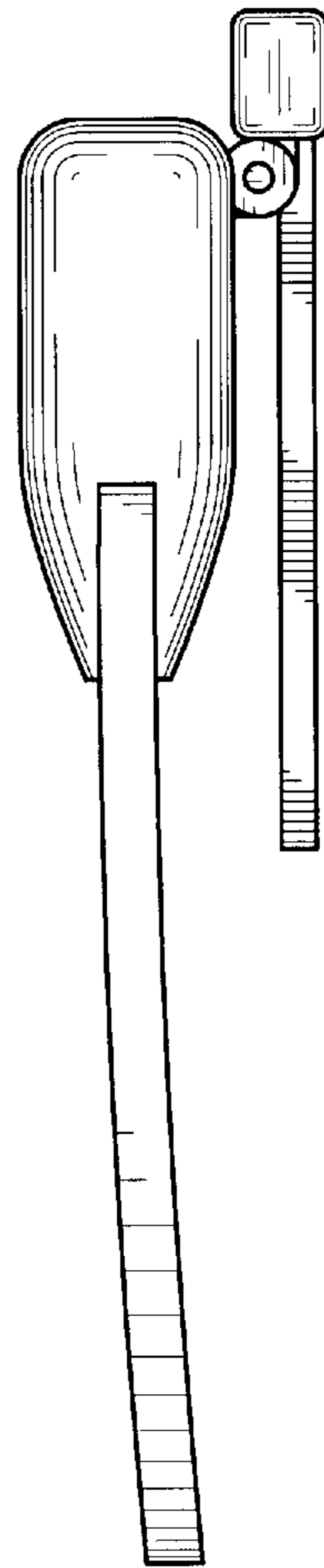
*Fig. 1*



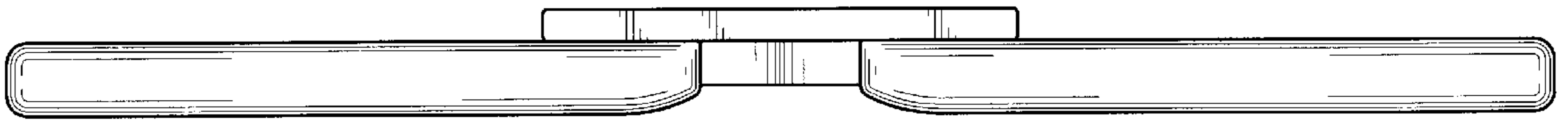
*Fig. 2*



*Fig. 3*



*Fig. 4*



*Fig. 5*



*Fig. 6*